

# USER'S GUIDE

## MegaRAID<sup>®</sup> 6Gb/s SAS RAID Controllers

November 2009



41450-02B



This document contains proprietary information of LSI Corporation. The information contained herein is not to be used by or disclosed to third parties without the express written permission of an officer of LSI Corporation.

LSI products are not intended for use in life-support appliances, devices, or systems. Use of any LSI product in such applications without written consent of the appropriate LSI officer is prohibited.

Purchase of I<sup>2</sup>C components of LSI Corporation, or one of its sublicensed Associated Companies, conveys a license under the Philips I<sup>2</sup>C Patent Rights to use these components in an I<sup>2</sup>C system, provided that the system conforms to the I<sup>2</sup>C standard Specification as defined by Philips.

Document 41450-02 Rev. B, November 2009. This document describes the current versions of the LSI Corporation MegaRAID<sup>®</sup> SAS RAID controllers and will remain the official reference source for all revisions/releases of these products until rescinded by an update.

LSI Corporation reserves the right to make changes to any products herein at any time without notice. LSI does not assume any responsibility or liability arising out of the application or use of any product described herein, except as expressly agreed to in writing by LSI; nor does the purchase or use of a product from LSI convey a license under any patent rights, copyrights, trademark rights, or any other of the intellectual property rights of LSI or third parties.

Copyright © 2009 by LSI Corporation. All rights reserved.

#### TRADEMARK ACKNOWLEDGMENT

LSI, the LSI logo design, Fusion-MPT, and MegaRAID are trademarks or registered trademarks of LSI Corporation. Microsoft and Windows are registered trademarks of Microsoft Corporation. SUSE is a trademark and NetWare is a registered trademark of Novell, Inc. Red Hat is a registered trademark of Red Hat, Inc. UnixWare is a registered trademark of The Open Group. OpenServer is a trademark of Caldera International, Inc. Linux is a registered trademark of Linus Torvalds. All other brand and product names may be trademarks of their respective companies.

**To receive product literature, visit us at <http://www.lsi.com>.**

**For a current list of our distributors, sales offices, and design resource centers, view our web page located at**

**<http://www.lsi.com/contacts/index.html>**

# Preface

---

This document is the primary reference and user's guide for the LSI MegaRAID® Serial Attached SCSI/SATA II RAID controllers based on the 6Gb/s SAS/SATA RAID On-a-Chip devices. This document contains complete installation instructions for these RAID controllers and includes specifications for them.

The MegaRAID 6Gb/s Serial Attached SCSI (SAS) RAID controller family consists of the following controllers:

- MegaRAID SAS 9240-4i PCI Express 2.0 Low-Profile Serial-Attached SCSI/SATA II Disk Array Controller with an Internal Connector
- MegaRAID SAS 9240-8i PCI Express 2.0 Low-Profile Serial-Attached SCSI/SATA II Disk Array Controller with Internal Connectors
- MegaRAID SAS 9260-4i PCI Express 2.0 Low-Profile Serial-Attached SCSI/SATA II Disk Array Controller with an Internal Connector
- MegaRAID SAS 9260-8i PCI Express 2.0 Low-Profile Serial-Attached SCSI/SATA II Disk Array Controller with Internal Connectors
- MegaRAID SAS 9260DE-8i PCI Express 2.0 Low-Profile Serial-Attached SCSI/SATA II Disk Array Controller with Internal Connectors
- MegaRAID SAS 9261-8i PCI Express 2.0 Low-Profile Serial-Attached SCSI/SATA II Disk Array Controller with Internal Connectors
- MegaRAID SAS 9280-4i/4e PCI Express 2.0 Low-Profile Serial-Attached SCSI/SATA II Disk Array Controller with an Internal Connector and an External Connector

- MegaRAID SAS 9280-8e PCI Express 2.0 Low-Profile Serial-Attached SCSI/SATA II Disk Array Controller with External Connectors
- MegaRAID SAS 9280DE-8e PCI Express 2.0 Low-Profile Serial-Attached SCSI/SATA II Disk Array Controller with External Connectors

For information about how to configure the RAID controllers, refer to the *MegaRAID SAS Software User's Guide*. For information about the operating system drivers, refer to the *MegaRAID SAS Device Driver Installation User's Guide*.

---

## Audience

This document assumes that you have some familiarity with RAID controllers and related support devices. The people who benefit from this document are:

- Engineers who are designing a system that will include a MegaRAID 6Gb/s SAS RAID controller
- Anyone who is installing a MegaRAID 6Gb/s SAS RAID controller in a system

---

## Organization

This document contains the following chapters and appendix:

- [Chapter 1, Overview](#), provides an overview of the MegaRAID 6Gb/s SAS RAID controllers.
- [Chapter 2, MegaRAID SAS Hardware Installation](#), describes the procedures for installing the MegaRAID 6Gb/s SAS RAID controllers.
- [Chapter 3, MegaRAID SAS RAID Controller Characteristics](#), provides the characteristics and technical specifications for the MegaRAID 6Gb/s SAS RAID controllers.
- [Appendix A, Glossary of Terms and Abbreviations](#), lists and defines the terms and abbreviations used in this document.

---

## Related Publications

### **MegaRAID SAS Device Driver Installation User's Guide**

*Document Number: 80-00163-01 Rev. D*

This document describes how to install the MegaRAID device driver for your operating system. The information in this document is independent of the back-end bus and applies to the MegaRAID SAS RAID controllers.

### **MegaRAID SAS Software User's Guide**

*Document Number: 80-00156-01 Rev. H*

This document describes how to use the MegaRAID Storage Manager, WebBIOS, and command line interface (CLI) utilities to configure, monitor, and maintain MegaRAID SAS RAID controllers and the storage-related devices connected to them.

### **MegaRAID iBBU07 Intelligent Battery Backup Unit Quick Installation Guide**

*Document Number: 34231-00 Rev. C*

This quick installation guide explains how to install the LSiBBU07 intelligent Battery Backup Unit 07 directly and remotely on your MegaRAID controller. The LSiBBU07 is used with the MegaRAID SAS 9260 RAID controller and the MegaRAID SAS 9280 RAID controller. The LSiBBU07 protects the integrity of the cached data on a MegaRAID controller for up to 72 hours in case of a complete AC power failure or a brief power outage.

---

## Conventions

The following table describes how the user interacts with the product.

Notation	Example	Meaning and Use
Courier typeface	.nwk file	Names of commands, files, and directories, as well as code and screen messages, are shown in Courier.
Bold typeface	<b>fd1sp</b>	In a command line, keywords are shown in bold, non-italic typeface. Enter them exactly as shown.
Italics	<i>module</i>	In command lines and names, italics indicate user variables. Replace italicized text with appropriate user-specified items. Enter items of the type called for, using lowercase.
Initial capital letters	Undo Edit Apply	Names of menu commands, options, check buttons, text buttons, options buttons, text boxes, list boxes, and so on, are shown in text with initial capital lettering to avoid misreading. These elements might appear on your screen in all lowercase.
Semicolon, and other punctuation		Use as shown in the text.

Notes contain supplementary information that can affect system performance.

**Caution:** Cautions are notifications that an action has the potential to adversely affect equipment operation, system performance, or data integrity.

---

## Revision History

Document Number	Date/Version	Remarks
41450-02 Rev. B	November 2009	Added the SAS 9240-4i, SAS 9240-8i, and SAS 9280-4i/4e RAID controllers; added the SAS 9261-8i RAID controller
41450-02 Rev. A	July 2009	Added the SAS 9260-4i, SAS 9260DE-8i, SAS 9280-8e, and SAS 9280DE-8e RAID controllers.
41450-01 Rev. A	June 2009	Documented the SAS 9260-8i RAID controller.
41450-00 Rev. A	March 2009	Initial release of this document.

---

## Safety Instructions

Use the following safety guidelines to help protect your computer system from potential damage and to ensure your own personal safety.

**Note:** Use the MegaRAID 6Gb/s SAS RAID controllers with UL-listed Information Technology Equipment (ITE) products only.

**When Using Your Computer System** – As you use your computer system, observe the following safety guidelines:

**Caution:** Do not operate your computer system with any covers (such as computer covers, bezels, filler brackets, and front-panel inserts) removed.

- To avoid damaging your computer, make sure that the voltage selection switch on the power supply is set to match the alternating current (AC) power available at your location:
  - 115 volts (V)/60 hertz (Hz) in most of North American and South American countries, and some Asian countries, such as Japan, South Korea, and Taiwan.
  - 230 V/50 Hz in most of Europe, the Middle East, and Asia. Also make sure that your monitor and attached peripherals are electrically rated to operate with the AC power available in your location.
- To avoid possible damage to the system board, wait 5 seconds after you turn off the system before you remove a component from the system board or disconnect a peripheral device from the computer.
- To prevent electric shock, connect the computer and peripheral power cords into correctly grounded power sources. These cords are equipped with three-prong plugs to ensure correct grounding.
- Do not use adapter plugs or remove the grounding prong from a cable. If you must use an extension cable, use a three-wire cable with correctly grounded plugs.
- To protect your computer system from sudden, transient increases and decreases in electrical power, use a surge suppressor, line conditioner, or uninterruptible power supply (UPS).

- Make sure that equipment does not rest on your computer system cables and that the cables are not located where they can be stepped on or tripped over.
- Do not spill food or liquids on your computer. If the computer gets wet, consult the documentation that came with it.
- Do not push any objects into the openings of your computer. Doing so can cause fire or electric shock by shorting out interior components.
- Keep your computer away from radiators and heat sources. Also, do not block cooling vents. Avoid placing loose papers underneath your computer; do not place your computer in a closed-in wall unit or on a rug.

### **When Working Inside Your Computer –**

**Caution:** Do not attempt to service the computer system yourself, except as explained in this document and elsewhere in LSI documentation. Always follow installation and service instructions closely.

1. Turn off your computer and any peripherals.
2. Disconnect your computer and peripherals from their power sources. Also disconnect any telephone or telecommunications lines from the computer.

Performing these actions reduces the potential for personal injury or shock. Also note these safety guidelines:

- When you disconnect a cable, pull on its connector or on its strain-relief loop, not on the cable itself. Some cables have a connector with locking tabs. If you are disconnecting this type of cable, press in on the locking tabs before you disconnect the cable. As you pull connectors apart, keep them evenly aligned to avoid bending any connector pins. Also, before you connect a cable, make sure that both connectors are correctly oriented and aligned.
- Handle components and cards with care. Do not touch the components or contacts on a card. Hold a card by its edges or by its metal mounting bracket. Hold a component, such as a microprocessor chip, by its edges, not by its pins.



**Protecting Against Electrostatic Discharge** – Static electricity can harm delicate components inside your computer. To prevent static damage, discharge static electricity from your body before you touch any of your computer's electronic components, such as the microprocessor. To discharge static electricity, touch an unpainted metal surface, such as the metal around the card-slot openings at the back of the computer.

As you continue to work inside the computer, periodically touch an unpainted metal surface to remove any static charge that your body might have accumulated. In addition to the preceding precautions, you also can take the following steps to prevent damage from electrostatic discharge:

- When unpacking a static-sensitive component from its shipping carton, do not remove the component from the antistatic packing material until you are ready to install the component in your computer. Just before unwrapping the antistatic packaging, be sure to discharge static electricity from your body.
- When transporting a sensitive component, first place it in an antistatic container or packaging.
- Handle all sensitive components in a static-safe area. If possible, use antistatic floor pads and workbench pads.



# Contents

---

## Chapter 1 Overview

1.1	Overview	1-1
1.2	SAS Controller Descriptions	1-3
1.3	General Description	1-4
1.4	Configuration Scenarios	1-6
1.5	Benefits of the SAS Interface	1-8
	1.5.1 PCI Express Architecture	1-8
	1.5.2 Operating System Support	1-9
1.6	Summary of SAS RAID Controller Characteristics	1-9
	1.6.1 SAS Features	1-10
	1.6.2 SAS Array Limitations	1-11
	1.6.3 SATA II Features	1-13
	1.6.4 PCI Express Performance	1-13
	1.6.5 Usability Features	1-13
	1.6.6 Flexibility Features	1-14
	1.6.7 Drive Roaming	1-14
	1.6.8 Drive Migration	1-15
1.7	Hardware Specifications	1-17
1.8	Technical Support	1-19

---

## Chapter 2 MegaRAID SAS Hardware Installation

2.1	Requirements	2-1
2.2	Quick Installation	2-2
2.3	Detailed Installation	2-3
2.4	After Installing the RAID Controller	2-6
2.5	SAS Device Cables and Connectors	2-6
	2.5.1 Connecting a SAS RAID Controller with Internal	

	Connectors to Drives	2-9
2.5.2	Connecting the SAS RAID Controller with External Connectors to a Drive Enclosure	2-10

---

## Chapter 3

### MegaRAID SAS RAID Controller Characteristics

3.1	MegaRAID 6Gb/s SAS RAID Controller Family	3-1
3.1.1	MegaRAID SAS 9240 RAID Controllers	3-1
3.1.2	MegaRAID SAS 9260 RAID Controllers	3-3
3.1.3	MegaRAID SAS 9261 RAID Controller	3-6
3.1.4	MegaRAID SAS 9280 RAID Controllers	3-8
3.2	MegaRAID SAS 6Gb/s RAID Controller Characteristics	3-13
3.3	Technical Specifications	3-14
3.3.1	RAID Controller Specifications	3-15
3.3.2	Array Performance Features	3-16
3.3.3	Fault Tolerance	3-17
3.3.4	Electrical Characteristics	3-17
	Power Supply Requirements for SAS 9240 RAID Controllers	3-17
	Operating and Non-operating Conditions for the SAS 9240 RAID Controllers	3-18
	Power Supply Requirements for SAS 9260 RAID Controllers	3-18
	Operating and Non-operating Conditions for SAS 9260 RAID Controllers	3-19
	Power Supply Requirements for the SAS 9261 RAID Controller	3-20
	Operating and Non-operating Conditions for the SAS 9261 RAID Controller	3-21
3.3.5	Power Supply Requirements for SAS 9280 RAID Controllers	3-21
	Operating and Non-operating Conditions for SAS 9280 RAID Controllers	3-22
3.3.6	Safety Characteristics	3-22

---

## Appendix A

### Glossary of Terms and Abbreviations

---

## Customer Feedback



---

## Figures

1.1	Example of an LSI SAS Direct-Connect Application	1-7
1.2	Example of an LSI SAS RAID Controller Configured with an LSI SASx12 Expander	1-7
2.1	Example of the MegaRAID SAS 9260-8i Board Installation in a PCI Express Slot	2-4
2.2	Internal SAS Cable for Connection to SAS Drives, SATA II Drives, or Both	2-7
2.3	SATA II Connectors	2-8
2.4	SAS Plugs and SATA II Plugs and SAS Backplane Receptacle Connector	2-9
2.5	Connecting the SAS 9260-8i RAID Controller to a Drive	2-10
2.6	Connecting the SAS 9280-8e RAID Controller to a Drive Enclosure	2-11
3.1	Card Layout for the MegaRAID SAS 9240-8i RAID Controller	3-2
3.2	Card Layout for the MegaRAID SAS 9260-8i RAID Controller	3-4
3.3	Card Layout for the MegaRAID SAS 9261-8i RAID Controller	3-7
3.4	Card Layout for the MegaRAID SAS 9280-8e RAID Controller	3-9
3.5	Card Layout for the MegaRAID SAS 9280-4i/4e RAID Controller	3-11





---

## Tables

1.1	SAS RAID Controller Array Limitations	1-11
1.2	MegaRAID 6Gb/s SAS RAID Controller Features	1-17
3.1	SAS 9240-4i/SAS 9240-8i RAID Controller – Jumpers and Connectors	3-3
3.2	SAS 9260-8i/SAS 9260DE-8i RAID Controller – Jumpers and Connectors	3-5
3.3	SAS 9261-8i RAID Controller – Jumpers and Connectors	3-7
3.4	SAS 9280-8e and SAS 9280DE-8e RAID Controllers – Connectors	3-9
3.5	SAS 9280-4i/4e RAID Controller – Connectors	3-11
3.6	MegaRAID 6Gb/s SAS RAID Controller Characteristics	3-13
3.7	RAID Controller Specifications	3-15
3.8	Array Performance Features	3-16
3.9	Fault Tolerance Features	3-17
3.10	Power Supply for SAS 9240 RAID Controllers	3-18
3.11	Power Supply for SAS 9260 RAID Controllers	3-19
3.12	Power Supply for SAS 9261 RAID Controllers	3-20
3.13	Power Supply for SAS 9280 RAID Controllers	3-22



# Chapter 1

## Overview

---

This chapter provides an overview of the MegaRAID 6Gb/s Serial Attached SCSI/Serial ATA II controllers with RAID control capability. It consists of the following sections:

- [Section 1.1, “Overview”](#)
  - [Section 1.2, “SAS Controller Descriptions”](#)
  - [Section 1.3, “General Description”](#)
  - [Section 1.4, “Configuration Scenarios”](#)
  - [Section 1.5, “Benefits of the SAS Interface”](#)
  - [Section 1.6, “Summary of SAS RAID Controller Characteristics”](#)
  - [Section 1.7, “Hardware Specifications”](#)
  - [Section 1.8, “Technical Support”](#)
- 

## 1.1 Overview

The MegaRAID 6Gb/s SAS RAID controllers are high-performance intelligent PCI Express-to-SCSI/Serial ATA II adapters with RAID control capability. MegaRAID 6Gb/s SAS RAID controllers provide reliability, high performance, and fault-tolerant drive subsystem management. They are an ideal RAID solution for the internal storage of workgroup, departmental, and enterprise systems. MegaRAID 6Gb/s SAS RAID controllers offer a cost-effective way to implement RAID in a server.

SAS technology brings a wealth of options and flexibility with the use of SAS and Serial ATA (SATA) II devices within the same storage infrastructure. However, SAS and SATA devices bring individual characteristics that make each one a more suitable choice depending on your storage needs. MegaRAID gives you the flexibility to combine these

two similar technologies on the same controller, within the same enclosure, and in the same virtual drive.

**Note:** LSI recommends that you carefully assess any decision to mix SAS drives and SATA drives within the same *virtual drives*. Although you can mix drives, LSI strongly discourages the practice.

LSI offers a family of MegaRAID SAS RAID controllers addressing the needs for both internal and external solutions. The MegaRAID 6Gb/s SAS RAID controllers are based on the LSI first-to-market SAS IC technology and proven MegaRAID technology. As second-generation PCI Express RAID controllers, these controllers address the growing demand for increased data throughput and scalability requirements across midrange and enterprise-class server platforms. These controllers provide:

- 6.0 Gb/s Serial Attached SCSI performance
- 3.0 Gb/s SATA II performance
- Eight-lane, 5-Gb/s PCI Express host interface

The SAS 9260DE-8i RAID controller and the SAS 9280DE-8i RAID controller offer data security using disk encryption. This feature offers the ability to encrypt data on drives and use disk-based key management to provide data security. This solution provides data protection in the event of theft or loss of physical drives. With self-encrypting drives, if you remove a drive from its storage system or the server it is housed in, the data on that drive is encrypted and useless to anyone who attempts to access without the the appropriate security authorization.

For more information about self-encrypting drives, refer to the *MegaRAID SAS Software User's Guide*.

The SAS 9260 RAID controllers, the SAS 9261 RAID controller, and the SAS 9280 RAID controllers use the LSI intelligent Battery Backup Unit 07 (LSIIBBU-07) to provide cached data protection and allow system builders to protect cached data even during the most catastrophic system failures.

Refer to the battery backup documentation on the *MegaRAID Universal Software Suite* CD for more information about this battery backup unit.

The SAS controllers support the ANSI *Serial Attached SCSI standard, version 2.0*. In addition, the controller supports the SATA II protocol defined by the *Serial ATA specification, version 1.0a*. Supporting both the SAS interface and the SATA II interface, the SAS controller is a versatile controller that provides the backbone of both server and high-end workstation environments.

Each port on the SAS RAID controller supports SAS devices, SATA II devices, or both, using the following protocols:

- SAS Serial SCSI Protocol (SSP), which enables communication with other SAS devices
- SATA II, which enables communication with other SATA II devices
- Serial Management Protocol (SMP), which communicates topology management information directly with an attached SAS expander device
- Serial Tunneling Protocol (STP), which enables communication with a SATA II device through an attached expander

---

## 1.2 SAS Controller Descriptions

The 6Gb/s SAS RAID controllers are described as follows:

- The MegaRAID SAS 9240-4i PCI Express 2.0 Low-Profile Serial-Attached SCSI/SATA II Disk Array Controller is a PCI-Express 2.0, half-size, full-height RAID controller based on the LSI SAS2008 PCI Express-SAS/SATA I/O Processor chip. The MegaRAID SAS 9240-4i controls four internal 6-Gb/s SAS/SATA ports through one SFF-8087 x4 internal mini SAS connector.
- The MegaRAID SAS 9240-8i PCI Express 2.0 Low-Profile Serial-Attached SCSI/SATA II Disk Array Controller is a PCI-Express 2.0, half-size, full-height RAID controller based on the LSI SAS2008 PCI Express-SAS/SATA I/O Processor chip. The MegaRAID SAS 9240-8i controls eight internal 6-Gb/s SAS/SATA ports through two SFF-8087 x4 internal mini SAS connectors.
- The MegaRAID 6Gb/s SAS 9260-4i PCI Express 2.0 Low-Profile Serial-Attached SCSI/SATA II Disk Array Controller controls four internal SAS/SATA ports through one SFF-8087 x4 internal mini SAS connector.

- The MegaRAID 6Gb/s SAS 9260-8i PCI Express 2.0 Low-Profile Serial-Attached SCSI/SATA II Disk Array Controller controls eight internal SAS/SATA ports through two SFF-8087 x4 internal mini SAS connectors.
- The MegaRAID 6Gb/s SAS 9260DE-8i PCI Express 2.0 Low-Profile Serial-Attached SCSI/SATA II Disk Array Controller controls eight internal SAS/SATA ports through two SFF-8087 x4 internal mini SAS connectors and offers data security using disk encryption.
- The MegaRAID 6Gb/s SAS 9261-8i PCI Express 2.0 Low-Profile Serial-Attached SCSI/SATA II Disk Array Controller controls eight internal SAS/SATA ports through two SFF-8087 mini-SAS 4i connectors.
- The MegaRAID 6Gb/s SAS 9280-4i/4e PCI Express 2.0 Low-Profile Serial-Attached SCSI/SATA II Disk Array Controller controls four internal SAS/SATA ports through one SFF-8087 x4 internal mini SAS connector and four external SAS/SATA ports through one SFF-8088 x4 external mini SAS connector.
- The MegaRAID 6Gb/s SAS 9280-8e PCI Express 2.0 Low-Profile Serial-Attached SCSI/SATA II Disk Array Controller controls eight external SAS/SATA ports through two SFF-8088 x4 external mini SAS connectors.
- The MegaRAID 6Gb/s SAS 9280DE-8e PCI Express 2.0 Low-Profile Serial-Attached SCSI/SATA II Disk Array Controller controls eight external SAS/SATA ports through two SFF-8088 x4 external mini SAS connectors and offers data security using disk encryption.

---

## 1.3 General Description

The MegaRAID 6Gb/s SAS RAID controllers bring 6.0 Gb/s Serial Attached SCSI and 3.0 Gb/s SATA II performance to host adapter, workstation, and server designs. The controllers support internal storage devices and external storage devices, which allow you to use a system that supports enterprise-class SAS drives and desktop-class SATA II drives. Each MegaRAID 6Gb/s SAS RAID controller can connect to drives directly and can use expanders to connect to additional drives. Simplified cabling between devices is an additional benefit.

These SAS controllers are based on the LSISAS2108 RAID On-a-Chip (ROC) device or the LSISAS2008 PCI Express-SAS/SATA I/O Processor chip. These devices are compliant with the Fusion-MPT™ architecture and provides a PCI Express x8 interface.

Note: All of these RAID controllers provide an x8 PCI Express 2.0 interface.

The LSISAS2108 ROC device provides an eight-lane, 5-Gb/s PCI Express host interface, eight 6.0 Gb/s SAS ports or eight 3.0 Gb/s SATA ports, and a full-featured, hardware-based RAID implementation. In addition, it integrates a high-speed DDR/DDR2 800 MHz SDRAM interface with a hardware RAID assist engine for parity calculations. The LSISAS2108 ROC device provides the maximum benefits of a RAID system and enables you to configure the system to satisfy your system requirements.

The LSISAS2108 ROC device increases system performance and provides fault-tolerant data storage. The LSISAS2108 supports data striping across multiple drives, which reduces drive access time because multiple drives simultaneously read or write data. The LSISAS2108 ROC device backs up data with either data mirroring or a parity block. Either backup method enables you to recover lost data in the event of a drive failure. You can select the data backup method that best suits your needs. A hardware RAID assist exclusive-OR (XOR) engine speeds parity generation and checking and reduces system-access times.

The SAS RAID controllers integrate eight high-performance SAS/SATA II PHYs and a PCI Express bus master DMA core. Each of the eight PHYs is capable of 6.0 Gb/s SAS link rates and 3.0 Gb/s SATA II link rates.

These devices adhere to the *PCI Express Specification, Revision 2.0*. The PCI Express software is backward compatible with previous revisions of the PCI bus and PCI-X bus.

The SAS RAID controllers support the SAS protocol as described in the *Serial Attached SCSI Standard, version 2.0*. The controllers also support the Serial ATA II (SATA II) protocol defined by the *Serial ATA Specification, Version 1.0a* and the *Serial ATAll; Extension to the Serial ATA Specification, Version 1.1*. SATA II is an extension to SATA 1.0a. In addition, the SAS RAID controllers support the following SATA II features:

- 3Gb/s SATA II
- Staggered spin-up
- Hot plug
- Native command queuing
- Activity and fault indicators for each PHY
- Port selector (for dual-port drives)

Each port on the SAS controllers supports SAS devices, SATA II devices, or both using SSP, SMP, STP, and SATA II. SSP enables communication with other SAS devices. SATA II enables the SAS controllers to communicate with other SATA II devices.

---

## 1.4 Configuration Scenarios

There are three main scenarios in which you can use the SAS RAID controllers:

- **Low-end, internal SATA II configurations:** In this configuration, use the RAID controller as a high-end SATA II compatible controller that connects up to eight drives either directly or through a port expander. This configuration is mostly for low-end or entry servers. Enclosure management is provided through out-of-band I<sup>2</sup>C bus. Side bands of both types of internal SAS connectors support the SFF-8485 (SGPIO) interface.
- **Midrange internal SAS configurations:** This is like the internal SATA II configurations, but with high-end SAS drives. This is more suitable for low-range to midrange servers.
- **High-end external SAS/SATA II configurations:** This configuration is for external connectivity using SATA II drives, SAS drives, or both. External enclosure management is supported through in-band, SCSI-enclosed storage. The configuration must support STP and SMP.

Figure 1.1 shows a direct-connect configuration. The Inter-IC (I<sup>2</sup>C) interface communicates with peripherals. The external memory bus provides a 32-bit memory bus, parity checking, and chip select signals for pipelined synchronous burst static random access memory



(PSBRAM), nonvolatile static random access memory (NVSRAM), and Flash ROM.

**Figure 1.1 Example of an LSI SAS Direct-Connect Application**

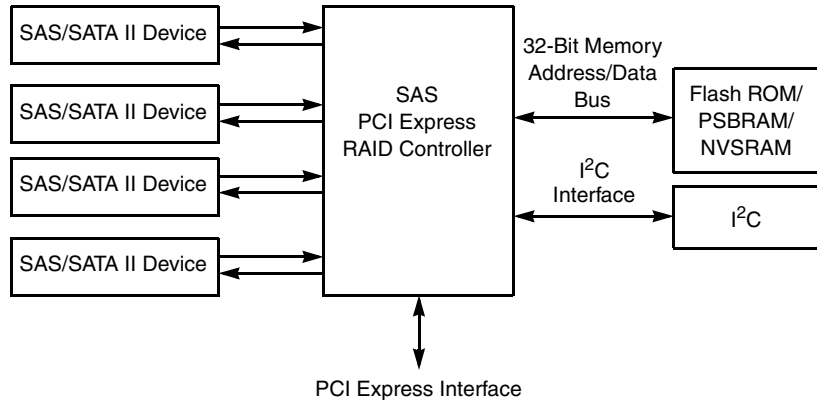
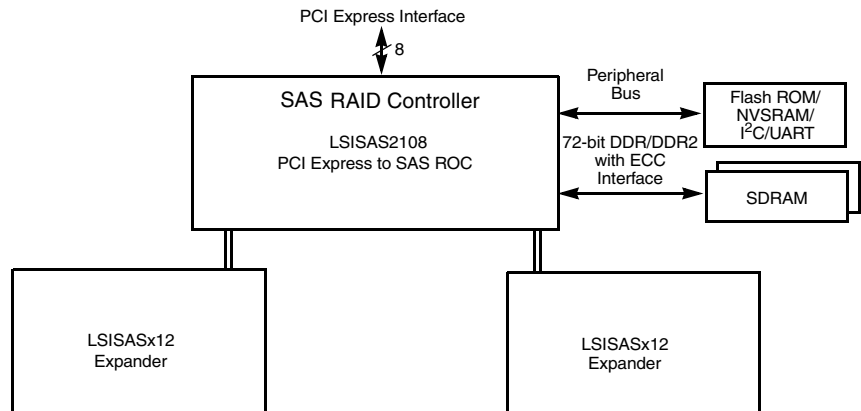


Figure 1.2 shows an example of a SAS RAID controller configured with an LSI SASx12 expander that is connected to SAS drives, SATA II drives, or both.

**Figure 1.2 Example of an LSI SAS RAID Controller Configured with an LSI SASx12 Expander**



---

## 1.5 Benefits of the SAS Interface

SAS is a serial, point-to-point, enterprise-level device interface that leverages the proven SCSI protocol set. SAS is a convergence of the advantages of SATA II, SCSI, and Fibre Channel, and is the future mainstay of the enterprise and high-end workstation storage markets. SAS offers a higher bandwidth per pin than parallel SCSI, and it improves signal and data integrity.

The SAS interface uses the proven SCSI command set to ensure reliable data transfers, while providing the connectivity and flexibility of point-to-point serial data transfers. The serial transmission of SCSI commands eliminates clock-skew challenges. The SAS interface provides improved performance, simplified cabling, smaller connectors, lower pin count, and lower power requirements when compared to parallel SCSI.

SAS controllers leverage a common electrical and physical connection interface that is compatible with Serial ATA technology. The SAS and SATA II protocols use a thin, 7-wire connector instead of the 68-wire SCSI cable or 26-wire ATA cable. The SAS/SATA II connector and cable are easier to manipulate, allow connections to smaller devices, and do not inhibit airflow. The point-to-point SATA II architecture eliminates inherent difficulties created by the legacy ATA master-slave architecture, while maintaining compatibility with existing ATA firmware.

### 1.5.1 PCI Express Architecture

PCI Express is a local bus system designed to increase data transfers without slowing down the central processing unit (CPU). You can install MegaRAID PCI Express RAID controllers in PCI Express computer systems with a standard bracket type. With these controllers in your system, you can connect SAS devices and SATA II devices over the bus.

**Note:** Some PCI-E slots support PCI-E graphics cards only; if a RAID controller is installed on those PCI-E slots, it will not function.

PCI Express goes beyond the PCI specification in that it is intended as a unifying I/O architecture for various systems: desktops, workstations, mobile, server, communications, and embedded devices.

## 1.5.2 Operating System Support

The MegaRAID 6Gb/s SAS RAID controllers supports the following operating systems:

- Windows Vista, Server 2003, and Windows Server 2008
- Red Hat Linux
- SUSE Linux
- Novell NetWare
- SCO OpenServer
- SCO UnixWare
- Solaris
- FreeBSD

To download the latest operating system drivers, go to:  
<http://www.lsi.com/cm/DownloadSearch.do>.

The MegaRAID 6Gb/s SAS RAID controllers use Fusion-MPT™ architecture for all major operating systems, thinner drivers, and better performance.

---

## 1.6 Summary of SAS RAID Controller Characteristics

This section provides a summary of the features and benefits of the MegaRAID 6Gb/s SAS RAID controllers. It contains information on SAS features, SATA II features, PCI performance, integration, usability, and flexibility.

The MegaRAID 6Gb/s SAS RAID controllers have the following features:

- PCI Express x8 lane width (with support for x16 connections)
- PCI Express performance up to 5Gb/s per lane
- Support for 512-Mbyte DDR2 800 MHz on-board SDRAM intelligent battery-backed module
- One internal connector for the SAS 9240-4i, SAS 9260-4i, and SAS 9280-4i/4e RAID controllers

- Two internal connectors for the SAS 9240-8i, SAS 9260-8i, SAS 9261-8i, and SAS 9260DE-8i RAID controllers
- One external connector for the SAS 9280-4i/4e RAID controller
- Two external connectors for the SAS 9280-8e RAID controller and the SAS 9280DE-8e RAID controller
- Support for RAID levels 0, 1, 5, 6, 00, 10, 50, and 60
- Advanced array configuration and management utilities
- Support for global hot spares and dedicated hot spares
- Support for user-defined stripe sizes: 8, 16, 32, 64, 128, 256, 512, or 1024 KB
- Advanced array configuration and management utilities offer:
  - Online capacity expansion to add space to an existing drive or new drive
  - Online RAID level migration
  - Drive migration
  - Drive roaming
  - No reboot necessary after expansion
  - Load balancing
  - Media scan
- User-specified rebuild rate (specifying the percentage of system resources to use from 0%-100%)
- 32-Kbyte nonvolatile random access memory (NVRAM) for storing RAID system configuration information; the MegaRAID SAS firmware is stored in flash ROM for easy upgrade.

## 1.6.1 SAS Features

The following list describes the SAS features of the RAID controllers:

- Provides four fully independent PHYs or eight fully independent PHYs, depending on the controller
- Supports 6Gb/s and 3Gb/s SAS data transfers per PHY
- Supports SMP to communicate topology management information
- Supports SSP to enable communication with other SAS devices

- Supports STP to enable communication with a SATA II device through an attached expander
- Provides a serial, point-to-point, enterprise-level storage interface
- Simplifies cabling between devices
- Provides a scalable interface that supports up to 240 devices through the use of expanders

**Note:** The number of devices varies depending on the MegaRAID product. Check the LSI web site (<http://www.lsi.com>) for specific details about your product.

- Supports wide ports consisting of 2, 3, or 4 PHYs within a single quad port
- Supports narrow ports consisting of a single PHY
- Transfers data using SCSI information units

## 1.6.2 SAS Array Limitations

This section describes the array limitations of the MegaRAID 6Gb/s SAS RAID controllers. These limitations include the number of drives supported per controller, the maximum number of drives per controller, and the maximum number of virtual drives allowed per controller.

Table 1.1 lists the array limitations for the 6Gb/s SAS RAID controllers.

**Table 1.1 SAS RAID Controller Array Limitations**

Specification	SAS 9240-4i	SAS 9240-8i	SAS 9260-4i	SAS 9260-8i	SAS 9261-8i	SAS 9280 4i/4e	SAS 9280-8e
Maximum virtual drives per controller	16	16	64	64	64	64	64
Maximum drive groups per controller	8	8	16	16	16	16	16
Maximum virtual drives per drive group	16	16	16	16	16	16	16
Maximum drives per drive group	16	16	32	32	32	32	32

**Table 1.1 SAS RAID Controller Array Limitations**

Specification	SAS 9240-4i	SAS 9240-8i	SAS 9260-4i	SAS 9260-8i	SAS 9261-8i	SAS 9280 4i/4e	SAS 9280-8e
Maximum drives per controller	16*	16*	32	32	32	240	240
Maximum hot spares per controller	8	8	32	32	32	240	240
Maximum spans per virtual drive	8	8	8	8	8	8	8
Maximum enclosures per port**	2	2	2	2	2	10	10
Number of ports	1	2	1	2	2	2	2

\* - Can support up to 64 devices, but only 16 can be used in a RAID configuration.

\*\* - Assumes one Storage Enclosure Processor (SEP) per enclosure.

The maximum numbers in [Table 1.1](#) depend on how many physical devices you have connected to the RAID controller. For example, the maximum number of drive groups is equal to the number of drives supported by the controller. Thus, for the SAS 9240-4i RAID controller, the maximum number of drive groups per controller is eight, which is based on the maximum number of physical devices that can be connected. In addition, the maximum number of hot spares per controller is equal to the maximum number of drives per controller.

Although you can have up to 16 virtual drives per drive group and up to 16 drive groups per controller (depending on the controller), there is a limit of 64 virtual drives per controller.

These RAID controllers support 64-bit logical block addressing (LBA), which makes it possible to connect a large number of drives to the RAID controller, directly and through expanders. However, the actual number of drives that you can attach depends on the limits listed in [Table 1.1](#) rather than by actual RAID volume capacity.

### 1.6.3 SATA II Features

The following list describes the SATA II features of the RAID controllers:

- Supports SATA II data transfers of 3Gb/s
- Supports STP data transfers of 3Gb/s
- Provides a serial, point-to-point storage interface
- Simplifies cabling between devices
- Eliminates the master-slave construction used in parallel ATA
- Allows addressing of multiple SATA II targets through an expander
- Allows multiple initiators to address a single target (in a fail-over configuration) through an expander

### 1.6.4 PCI Express Performance

The following list describes the PCI Express performance features of the RAID controllers:

- Provides a PCI Express interface that:
  - Supports a dedicated PCI Express bus
  - Supports x8 lane configuration
  - Supports transfer rates of up to 5Gb/s per lane
  - Complies with the *PCI Express Specification, Revision 2.0*
- Provides unequaled performance through the Fusion-MPT architecture
- Provides high throughput and low CPU utilization to offload the host processor

### 1.6.5 Usability Features

The following list describes the usability features of the RAID controllers:

- Simplifies cabling with point-to-point, serial architecture
- Supports smaller, thinner cables that do not restrict airflow
- Provides drive spin-up sequencing control

- Provides one LED signal for each PHY to indicate link activity (this is a fault LED only for controllers with internal port connectors)

Note: The SAS 9280-8e RAID controller and the SAS 9280DE-8e RAID controller do not have any LEDs to indicate link activity.

- Provides an I<sup>2</sup>C interface for enclosure management
- Supports the internal SAS Sideband signal SFF-8485 (SGPIO) interface

## 1.6.6 Flexibility Features

These features increase the flexibility of the RAID controllers:

- Supports a Flash ROM interface, a nonvolatile static RAM (NVS RAM) interface, and a pipelined synchronous burst SRAM (PSBRAM) interface
- Offers a flexible programming interface to tune I/O performance
- Allows mixed connections to SAS targets or SATA II targets
- Leverages compatible connectors for SAS connections and SATA II connections
- Allows grouping of up to four PHYs in a single quad port to form a wide port
- Allows programming of the World Wide Name

## 1.6.7 Drive Roaming

Drive roaming occurs when the drives are changed to different ports on the same controller. When the drives are placed on different channels, the controller detects the RAID configuration from the configuration data on the drives.

Configuration data is saved in both the NVRAM on the RAID controller and on the drives attached to the controller. This action maintains the integrity of the data on each drive, even if the drives have changed their physical device ID.

Note: If you move a drive that is being rebuilt, the rebuild operation will restart, not resume.



Follow these steps to use drive roaming:

- Step 1. Turn off power to the server and all drives, enclosures, and system components. Disconnect the power cords from the system.
- Step 2. Open the host system by following the instructions in the host system technical documentation.
- Step 3. Move the drives to different positions on the backplane to change the targets.
- Step 4. Determine the SAS target requirements.
- Step 5. Perform a safety check.
  - a. Make sure that the drives are inserted correctly.
  - b. Close the cabinet of the host system.
- Step 6. Reconnect the power cords to the system.
- Step 7. Turn on the power to the system.

The controller then detects the RAID configuration from the configuration data on the drives.

## 1.6.8 Drive Migration

Drive migration is the transfer of a set of drives in an existing configuration from one controller to another. The drives must remain on the same channel and must be reinstalled in the same order as in the original configuration. The controller to which you migrate the drives cannot have an existing configuration.

**Note:** Partial configurations, including individual virtual drives, can be migrated.

**Note:** Drive roaming and drive migration cannot be supported at the same time.

Follow these steps to migrate drives:

- Step 1. Make sure that you clear the configuration on the system to which you migrate the drives, to prevent a configuration data mismatch between the drives and the NVRAM.

**Note:** When you migrate drives, move only the drives that make up the virtual drive (not all of the drives in an array), so you do not see an NVRAM mismatch error (providing a configuration is on the destination controller). The NVRAM mismatch error appears only if you move all of the drives to the other controller.

- Step 2. Turn off power to the server and all drives, enclosures, and system components. Disconnect the power cords from the systems.
- Step 3. Open the host system by following the instructions in the host system technical documentation.
- Step 4. Either remove the SAS cable connectors from the internal drives, or remove the shielded cables from the external drives that you want to migrate.
  - a. Make sure that pin 1 on the cable matches pin 1 on the connector.
  - b. Make sure that the SAS cables conform to all SAS specifications.
- Step 5. Remove the drives from the first system, and insert them into drive bays on the second system.
- Step 6. Connect the SAS cables to the drives in the second system.
- Step 7. Determine the SAS target requirements.
- Step 8. Perform a safety check.
  - a. Make sure that all of the cables are attached correctly.
  - b. Make sure that the RAID controller is installed correctly.
  - c. Close the cabinet of the host system.
- Step 9. Reconnect the power cords to the system.
- Step 10. Turn on the power to the system.

The controller detects the RAID configuration from the configuration data on the drives.

## 1.7 Hardware Specifications

You can install the MegaRAID 6Gb/s SAS RAID controllers in a computer with a motherboard that has a PCI Express slot. [Table 1.2](#) describes the hardware configuration features for the MegaRAID 6Gb/s SAS RAID controllers.

**Table 1.2 MegaRAID 6Gb/s SAS RAID Controller Features**

Specification	MegaRAID SAS 9240-4i, SAS 9240-8i, SAS 9260-4i, SAS 9260-8i, SAS 9260-8e, SAS 9260DE-8i, SAS 9280-4i/4e, SAS 9280-8e, and SAS 9280DE-8e RAID Controllers
RAID levels	0, 1, 5, 6, 00, 10, 50, 60
Devices supported per port	Up to 15 SAS devices or SATA II devices (such as drives and expanders)
Number of ports	<ul style="list-style-type: none"><li>• MegaRAID SAS 9240-4i RAID controller – Four ports through one SFF-8087 x4 internal mini SAS connector</li><li>• MegaRAID SAS 9240-8i RAID controller – Eight ports through two SFF-8087 x4 internal mini SAS connectors</li><li>• MegaRAID SAS 9260-4i RAID controller – Four ports through one SFF-8087 x4 internal mini SAS connector</li><li>• MegaRAID SAS 9260-8i RAID controller – Eight ports through two SFF-8087 x4 internal mini SAS connectors</li><li>• MegaRAID SAS 9260DE-8i RAID controller – Eight ports through two SFF-8087 x4 internal mini SAS connectors</li><li>• MegaRAID SAS 9261-8i RAID controller – Eight ports through two SFF-8087 mini-SAS 4i connectors</li><li>• MegaRAID SAS 9280-4i/4e RAID controller – Four ports through one SFF-8087 x4 internal mini SAS connector and four ports through one SFF-8088 x4 external mini SAS connector</li><li>• MegaRAID SAS 9280-8e RAID controller – Eight ports through two SFF-8088 x4 external mini SAS connectors</li><li>• MegaRAID SAS 9280DE-8e RAID controller – Eight ports through two SFF-8088 x4 external mini SAS connectors</li></ul>
Data transfer rate	Up to 6Gb/s per PHY
Bus	PCI Express 2.0

**Table 1.2 MegaRAID 6Gb/s SAS RAID Controller Features (Cont.)**

<b>Specification</b>	<b>MegaRAID SAS 9240-4i, SAS 9240-8i, SAS 9260-4i, SAS 9260-8i, SAS 9260-8e, SAS 9260DE-8i, SAS 9280-4i/4e, SAS 9280-8e, and SAS 9280DE-8e RAID Controllers</b>
Cache function	Write-back, write-through, adaptive read ahead, non-read ahead, read ahead, cache I/O, direct I/O
Multiple virtual drives per controller	Up to 64 (this value is dependent on the firmware)
Online capacity expansion	Yes
Dedicated and global hot spares	Yes
Hot-swap devices supported	Yes
Non-drive devices supported	Yes
Mixed capacity drives supported	Yes
Number of external connectors	<ul style="list-style-type: none"> <li>• MegaRAID SAS 9280-4i/4e RAID controller – One SFF-8088 x4 external mini SAS connector</li> <li>• MegaRAID SAS 9280-8e RAID controller – Two SFF-8088 x4 external mini SAS connectors</li> <li>• MegaRAID SAS 9280DE-8e RAID controller – Two SFF-8088 x4 external mini SAS connectors</li> </ul>
Number of internal connectors	<ul style="list-style-type: none"> <li>• MegaRAID SAS 9240-4i RAID controller – One SFF-8087 x4 internal mini SAS connector</li> <li>• MegaRAID SAS 9240-8i RAID controller – Two SFF-8087 x4 internal mini SAS connectors</li> <li>• MegaRAID SAS 9260-4i RAID controller – One SFF-8087 x4 internal mini SAS connector</li> <li>• MegaRAID SAS 9260-8i RAID controller – Two SFF-8087 x4 internal mini SAS connectors</li> <li>• MegaRAID SAS 9260DE-8i RAID controller – Two SFF-8087 x4 internal mini SAS connectors</li> <li>• MegaRAID SAS 9261-8i RAID controller – Two SFF-8087 mini-SAS 4i connectors</li> <li>• MegaRAID SAS 9280-4i/4e RAID controller – One SFF-8087 x4 internal mini SAS connector</li> </ul>
Hardware exclusive OR (XOR) assistance	Yes
Direct I/O	Yes
Architecture	Fusion-MPT

---

## 1.8 Technical Support

For assistance installing, configuring, or running your MegaRAID 6Gb/s SAS RAID controller, contact LSI Technical Support. Click the following link to access the LSI Technical Support page for storage and board support:

[http://www.lsi.com/support/storage/tech\\_support/index.html](http://www.lsi.com/support/storage/tech_support/index.html)

From this page, you can send an email or call Technical Support, or submit a new service request and view its status.

**Note:** Record your controller serial number in a safe location in case you need to contact LSI about your RAID controller.

### **E-mail:**

[http://www.lsi.com/support/support\\_form.html](http://www.lsi.com/support/support_form.html)

### **Phone Support:**

[http://www.lsi.com/support/storage/phone\\_tech\\_support/index.html](http://www.lsi.com/support/storage/phone_tech_support/index.html)

**Note:** The international toll-free number does not require country-specific access codes.



# Chapter 2

## MegaRAID SAS

### Hardware Installation

---

This chapter describes the procedures you can follow to install the MegaRAID 6Gb/s Serial Attached SCSI/Serial ATA II controllers with internal and external connectors. It consists of the following sections:

- [Section 2.1, “Requirements”](#)
  - [Section 2.2, “Quick Installation”](#)
  - [Section 2.3, “Detailed Installation”](#)
  - [Section 2.4, “After Installing the RAID Controller”](#)
  - [Section 2.5, “SAS Device Cables and Connectors”](#)
- 

## 2.1 Requirements

The following items are required to install a MegaRAID 6Gb/s SAS RAID controller:

- A MegaRAID SAS 92xx RAID controller
- A host system with an available x8 PCI Express 2.0 slot

**Note:** These controllers also work in PCI Express first generation slots. The PCI Express software is backward compatible with previous revisions of the PCI bus and the PCI-X bus.

- The *MegaRAID Universal Software Suite* CD, which contains the drivers and documentation
- The necessary internal cables, external cables, or both
- SAS drives or SATA II drives

**Note:** LSI strongly recommends using an uninterruptible power supply.

---

## 2.2 Quick Installation

The following steps are for quick installation of your MegaRAID 6Gb/s SAS RAID controller. These steps are for experienced computer users or installers. [Section 2.3, “Detailed Installation,”](#) contains the steps for all others to follow.

- Step 1. Turn off the power to the system, all drives, enclosures, and system components, and disconnect the PC power cord.
- Step 2. Open the cabinet of the host system by following the instructions in the host system technical documentation.
- Step 3. Check the jumper settings to make sure that they are in the desired position. The jumpers are set at the factory and you usually do not need to change them.

**Note:** See [Chapter 3, “MegaRAID SAS RAID Controller Characteristics”](#) for detailed information about the jumpers and the connectors.

- Step 4. Install the MegaRAID 6Gb/s SAS RAID controller in the server, and connect SAS devices or SATA II devices to it. Make sure that the cables you use conform to all specifications.
- Step 5. Perform a safety check.
  - a. Make sure that all cables are attached correctly.
  - b. Make sure that the RAID controller is installed correctly.
  - c. Close the cabinet of the host system
- Step 6. Reconnect the power cords to the system.
- Step 7. Turn on the power to the system.

Make sure that the power is turned on to any external drives, before the power is turned on to the host computer. If the computer is powered up before these devices, the devices might not be recognized.



---

## 2.3 Detailed Installation

This section provides detailed instructions for installing your MegaRAID 6Gb/s SAS RAID controller.

**Step 1. Unpack the MegaRAID 6Gb/s SAS RAID controller**

Unpack and remove your RAID controller. Inspect it for damage. If it appears damaged, or if any of the following items are missing, contact your LSI support representative. The RAID controller is shipped with the following items:

- A CD containing MegaRAID drivers for supported operating systems, an electronic version of this *User's Guide*, and other related documentation
- A license agreement
- Warranty information

**Step 2. Turn off the Power to the System**

Turn off the power to the computer, and disconnect the AC power cord. Remove the computer cover. Refer to the system documentation for instructions. Before you install the controller, make sure that the computer is disconnected from the power and from any networks.

**Step 3. Review the RAID Controller Jumpers and Connectors**

The jumpers are set at the factory, and you usually do not need to change them. See [Chapter 3, "MegaRAID SAS RAID Controller Characteristics"](#) for diagrams of the MegaRAID 6Gb/s SAS RAID controllers with their jumpers and connectors.

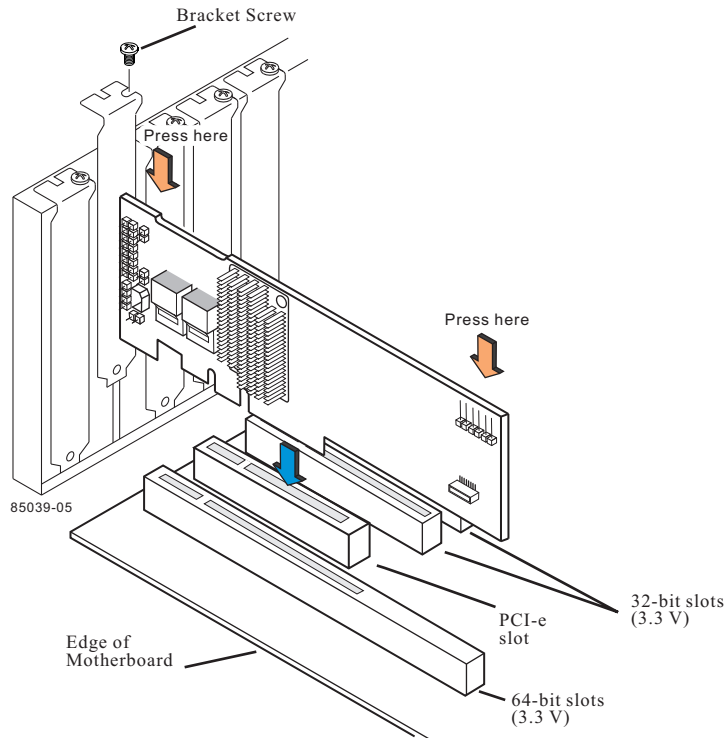
**Step 4. Install the RAID Controller**

Select a PCI Express slot, and align the controller's PCI Express bus connector to the slot. Press down gently, but firmly, to make sure that the card is seated correctly in the slot. Secure the bracket to the computer chassis with the bracket screw.

[Figure 2.1](#) shows the installation of the MegaRAID SAS 9260-8i RAID controller in a PCI Express slot.

**Note:** Some PCI-E slots support PCI-E graphics cards only; if a RAID controller is installed on those PCI-E slots, it will not function.

**Figure 2.1 Example of the MegaRAID SAS 9260-8i Board Installation in a PCI Express Slot**



**Step 5. Configure and Install the SAS Devices, SATA II Devices, or Both in the Host Computer Case**

Refer to the documentation for the devices for any preinstallation configuration requirements.

**Step 6. Connect the RAID Controller to the Devices**

Use SAS cables to connect SAS devices, SATA II devices, or both to the MegaRAID 6Gb/s SAS RAID controller.

See [Section 2.5, "SAS Device Cables and Connectors"](#) for SAS cable and connector information. See [Section 2.5.1, "Connecting a SAS RAID Controller with Internal Connectors to Drives,"](#) for information about connecting the controller to drives.

The maximum cable length is 10 meters (393.37 in.). You can connect one device per SAS PHY unless you use an expander.

System throughput problems can occur if the SAS cables are not the correct type. To minimize the potential for problems, use the following guidelines:

- a. Use cables no longer than 10 meters (393.37 in.) (LSI recommends using shorter cables, if possible.)
- b. Use cables that meet the SAS specification.
- c. Route the SAS cables carefully.

**Step 7. Turn on the Power to the System**

Reinstall the computer cover, and reconnect the AC power cords. Turn power on to the host computer. Make sure that the power is turned on to the SAS devices, SATA II devices, or both before or at the same time that the power is turned on to the host computer. If the computer is powered up before these devices, the devices might not be recognized.

During boot, a BIOS message appears. The firmware takes several seconds to initialize. The configuration utility prompt times out after several seconds. The second portion of the BIOS message shows the MegaRAID 6Gb/s SAS RAID controller number, firmware version, and cache SDRAM size. The numbering of the controllers follows the PCI slot scanning order used by the host motherboard.

**Step 8. Run the WebBIOS Configuration Utility**

Run the WebBIOS Configuration Utility to configure the drive groups and the virtual drives. When the message *Press CTRL+H for WebBIOS* appears on the screen, immediately press CTRL+H to run the utility.

**Step 9. Install the Operating System Driver**

The SAS RAID controllers can operate under various operating systems. To operate under these operating systems, you must install the software drivers. The *MegaRAID Universal Software Suite* CD includes software drivers for the supported operating systems, along with documentation. You can view the supported operating systems and download the latest drivers

for RAID controllers on the LSI website at:  
<http://www.lsi.com/cm/DownloadSearch.do>.

For information about installing the driver, refer to the *MegaRAID SAS Device Driver Installation User's Guide* on the *MegaRAID Universal Software Suite* CD. Be sure to use the latest service packs provided by the operating system manufacturer and to review the `readme` file that accompanies the driver.

---

## 2.4 After Installing the RAID Controller

After you install the MegaRAID 6Gb/s SAS RAID controller, you must configure the controller and install the operating system driver. The *MegaRAID SAS Software User's Guide* instructs you on the configuration options and how to set them on your MegaRAID 6Gb/s SAS RAID controller. The *MegaRAID SAS Device Driver Installation User's Guide* provides detailed installation instructions for operating system drivers.

---

## 2.5 SAS Device Cables and Connectors

This section describes the cables and the connectors used on the SAS controllers and provides step-by-step instructions for connecting SAS drives, SATA II drives, or both to the SAS RAID controller. The SAS and SATA II protocols use a thin, 7-wire connector instead of the 68-wire SCSI cable or 40-wire ATA cable.

**Note:** Use only straight SAS cables, not crossover SAS cables.

[Figure 2.2](#) shows the SAS cable that connects the internal connectors on a SAS RAID controller to SAS drives, SATA II drives, or both.

**Figure 2.2 Internal SAS Cable for Connection to SAS Drives, SATA II Drives, or Both**

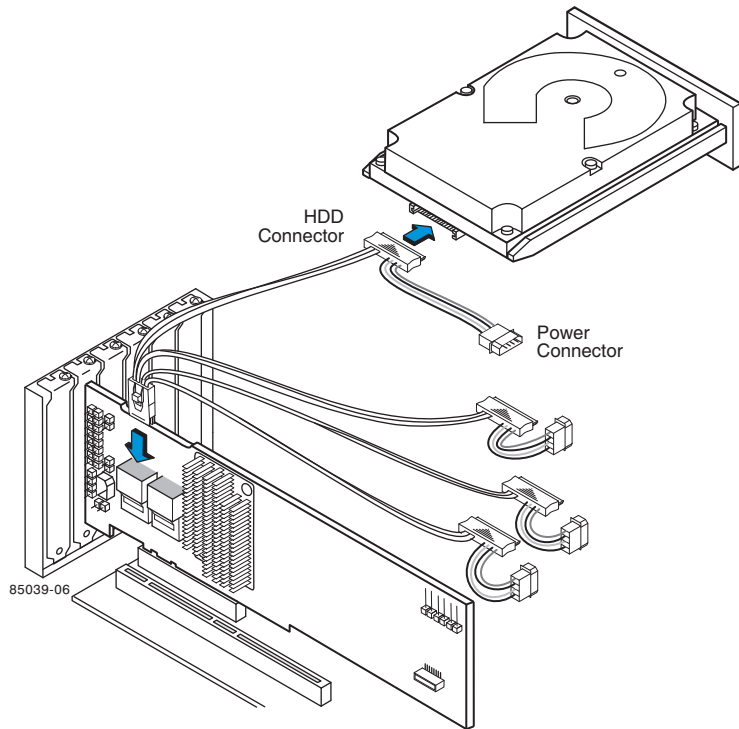


Figure 2.3 shows the SATA II device plug connector that connects a SAS RAID controller with internal connectors to the host receptacle connector on a backplane. A SATA II connector consists of a signal connector and a power connector.

**Figure 2.3 SATA II Connectors**

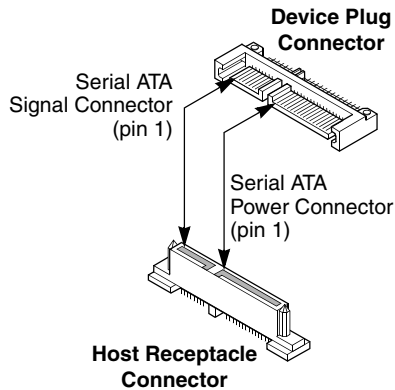
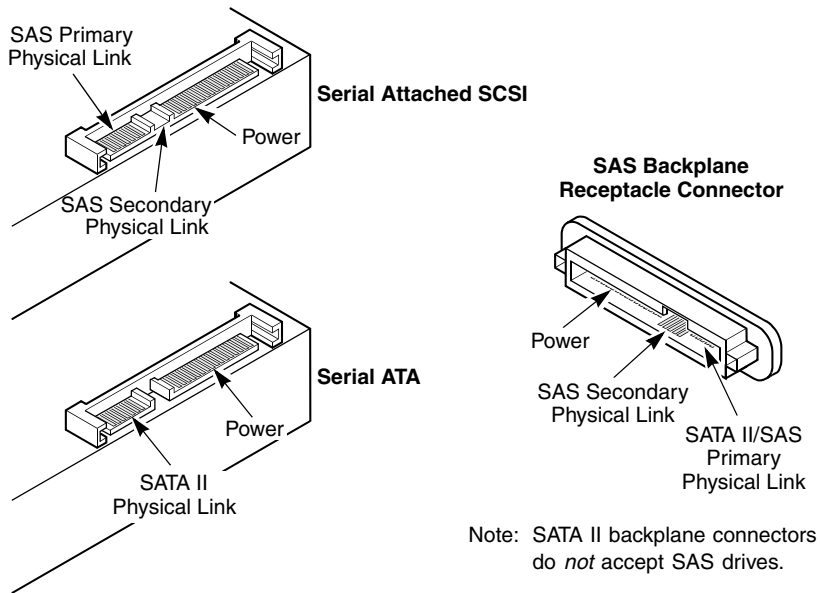


Figure 2.4 shows SAS connectors and SATA II connectors on SAS drives and SATA II drives, respectively. Cables connect internal connectors on the RAID controllers to connectors on SAS drives, SATA II drives, or both. Both SAS drives and SATA II drives can connect to SAS backplane receptacle connectors. The difference between the SAS connector and the SATA II connector is the bridge between the SAS primary physical link and the power connector on the SAS controller, which the SATA II connector does not have.

**Note:** SAS backplane connectors accept SAS drives or SATA II drives, but SATA II backplane connectors *cannot* accept SAS drives.

**Figure 2.4 SAS Plugs and SATA II Plugs and SAS Backplane Receptacle Connector**



The following subsections provide step-by-step instructions for connecting the SAS RAID controllers to SAS drives and SATA II drives, either directly or through an expander.

## 2.5.1 Connecting a SAS RAID Controller with Internal Connectors to Drives

This section provides step-by-step instructions for connecting the SAS cable from the internal connectors on the RAID controller to SAS drives and SATA II drives.

Follow these steps to connect your RAID controller with internal SAS port connectors directly to SAS drives, SATA II drives, or both.

**Note:** The SAS 9260-8i RAID controller is shown as an example. You can connect other SAS controllers with internal SAS port connectors in the same way.

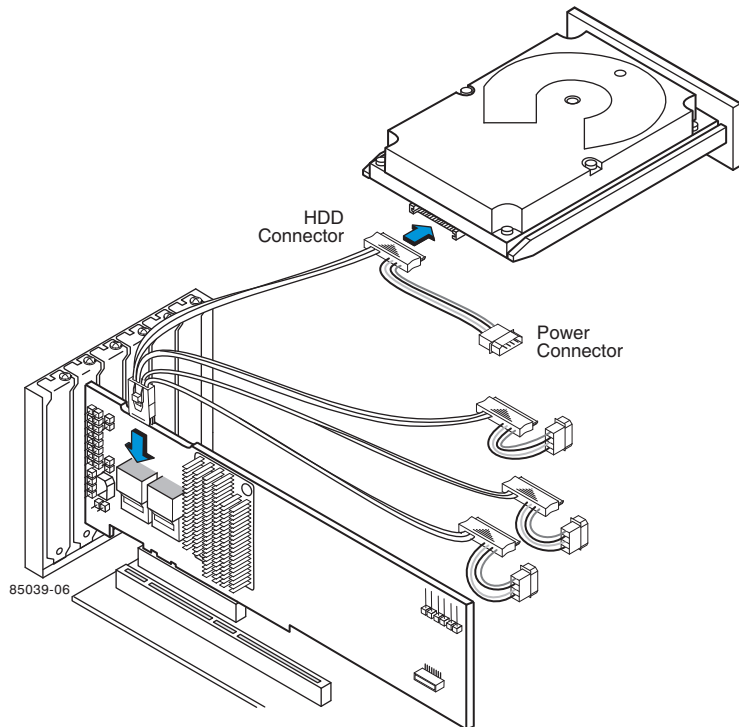
Step 1. Insert the SFF-8087 x4 internal mini SAS connector on the cable into a SFF-8087 x4 internal mini SAS connector on the SAS 9260-8i RAID controller, as shown in [Figure 2.5](#).

Step 2. Plug the HDD connector on the other end of the internal cable into the connector on the SAS drive or the SATA II drive.

Step 3. If you have another drive, connect it to another plug on the internal cable.

You can connect other devices if the cable has more connectors.

**Figure 2.5 Connecting the SAS 9260-8i RAID Controller to a Drive**



## 2.5.2 Connecting the SAS RAID Controller with External Connectors to a Drive Enclosure

This section provides step-by-step instructions for connecting a SAS RAID controller with external SAS port connectors to a drive enclosure containing SAS drives, SATA II drives, or a combination of both drive types.

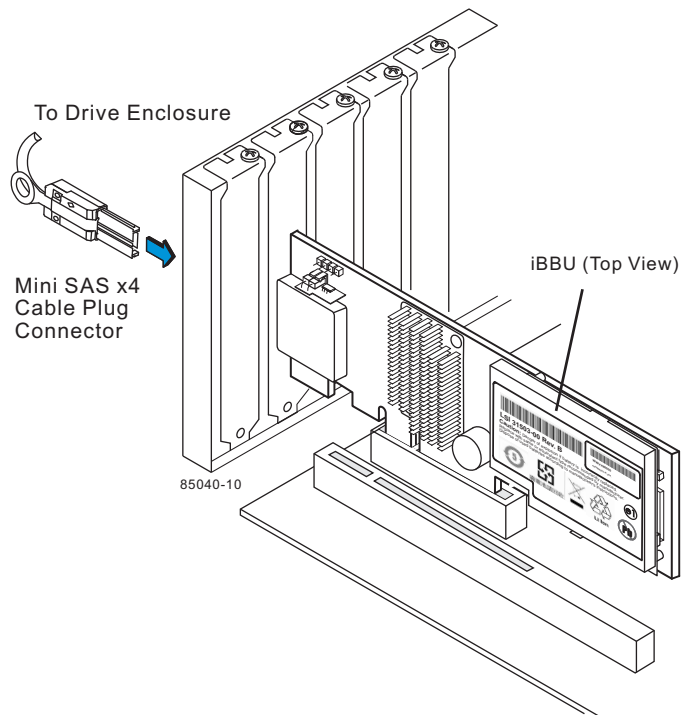


Follow these steps to connect the cable from your controller to a drive enclosure.

**Note:** The SAS 9280-8e RAID controller is shown as an example. You can connect other SAS controllers with external SAS port connectors in the same way.

- Step 1. Connect the connector on one end of the cable to external port J1A4 or J1B1 on the SAS 9280-8e RAID controller, as shown in [Figure 2.6](#).
- Step 2. Connect the other end of the cable to the external port on the drive enclosure.

**Figure 2.6 Connecting the SAS 9280-8e RAID Controller to a Drive Enclosure**





# Chapter 3

## MegaRAID SAS RAID

### Controller Characteristics

---

This chapter describes the characteristics of the LSI MegaRAID Serial Attached SCSI/Serial ATA II 6Gb/s RAID controllers. It consists of the following sections:

- [Section 3.1, “MegaRAID 6Gb/s SAS RAID Controller Family”](#)
  - [Section 3.2, “MegaRAID SAS 6Gb/s RAID Controller Characteristics”](#)
  - [Section 3.3, “Technical Specifications”](#)
- 

### 3.1 MegaRAID 6Gb/s SAS RAID Controller Family

The MegaRAID 6Gb/s SAS RAID controllers are dual PHY, SAS PCI Express RAID controllers and are used in a system with a PCI Express slot. PCI Express goes beyond the PCI specification in that it is intended as a unifying I/O architecture for various systems: desktops, workstations, mobile, server, communications, and embedded devices.

The following subsection provides graphics and connector information for the 6Gb/s SAS RAID controllers.

#### 3.1.1 MegaRAID SAS 9240 RAID Controllers

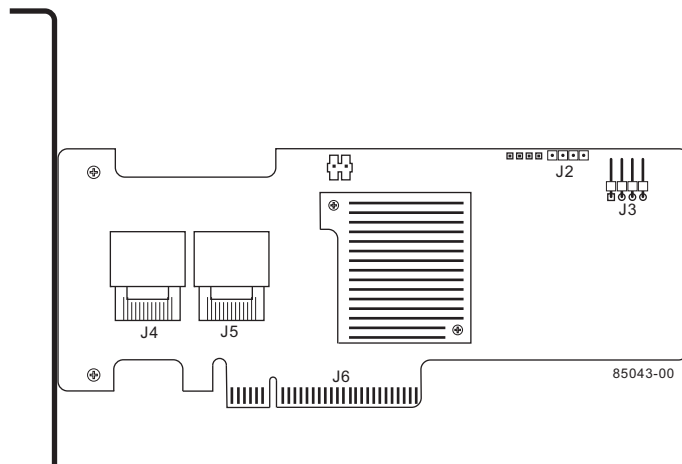
The MegaRAID SAS 9240-4i low-profile SAS/SATA II RAID controller controls four internal SAS/SATA ports through one SFF-8087 x4 internal mini SAS connector.

The MegaRAID SAS 9240-8i low-profile SAS/SATA II RAID controller controls eight internal SAS/SATA ports through two SFF-8087 x4 internal mini SAS connectors.

**Note:** The SAS 9240-4i RAID controller does not contain the J5 connector, which supports ports 4–7. The SAS 9240-8i RAID controller contains the J5 connector.

This subsection provides the board layout and connector and jumper information for the RAID controller. [Figure 3.2](#) shows the jumpers and connectors on the SAS 9240-8i RAID controller.

**Figure 3.1 Card Layout for the MegaRAID SAS 9240-8i RAID Controller**



[Table 3.2](#) describes the jumpers and connectors on the SAS 9240-4i and 9240-8i RAID controllers.

**Table 3.1 SAS 9240-4i/SAS 9240-8i RAID Controller – Jumpers and Connectors**

Jumper	Type	Description
J1	RISCwatch header	16-pin header Reserved for LSI use.
J2	CPLD header	10-pin header Reserved for LSI use.
J3	External LED drive activity/fault header	4-pin connector Connects to external, green or red LEDs that indicate drive activity or faults.
J4	x4 SAS Ports 0–3	SFF-8087 x4 internal mini SAS connector Connects the cables from the controller to SAS drives or SATA II drives, or a SAS expander.
J5	x4 SAS Ports 4–7	SFF-8087 x4 internal mini SAS connector Connects the cables from the controller to SAS drives or SATA II drives, or a SAS expander.  Note: The SAS 9240-4i RAID controller does not have the J5 connector.
J6	PCI Express x8 board edge connector	x8 interface that provides connections on both the top and the bottom of the board.
TP1	Universal Asynchronous Receiver/Transmitter (UART) debugging	4-pin connector Reserved for LSI use.
U2	MegaRAID RAID Key connector	2-pin connector To create a RAID 5 configuration, you have to plug a 1-wire key into this connector.

### 3.1.2 MegaRAID SAS 9260 RAID Controllers

The MegaRAID SAS 9260-4i low-profile SAS/SATA II RAID controller controls four internal SAS/SATA ports through one SFF-8087 x4 internal mini SAS connector.

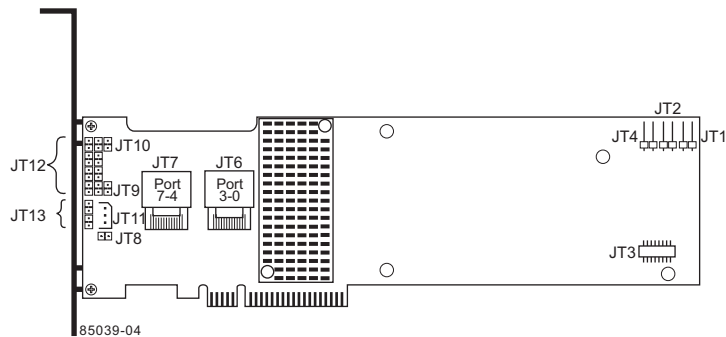
The MegaRAID SAS 9260-8i low-profile SAS/SATA II RAID controller controls eight internal SAS/SATA ports through two SFF-8087 x4 internal mini SAS connectors.

The MegaRAID SAS 9260DE-8i low-profile SAS/SATA II RAID controller controls eight internal SAS/SATA ports through two SFF-8087 x4 internal mini SAS connectors and offers data security using disk encryption.

**Note:** The SAS 9260-4i RAID controller does not contain the JT7 connector, which supports ports 4–7. The SAS 9260DE-8i has the same connectors as the SAS 9260-8i.

This subsection provides the board layout, and connector and jumper information for the RAID controller. [Figure 3.2](#) shows the jumpers and connectors on the SAS 9260-8i RAID controller.

**Figure 3.2 Card Layout for the MegaRAID SAS 9260-8i RAID Controller**



**Note:** JT1, JT2, and JT4 are behind the LSiIBBU07 when the iBBU is installed, but they are still accessible.

[Table 3.2](#) describes the jumpers and connectors on the SAS 9260-8i and 9260DE-8i RAID controllers.

**Table 3.2 SAS 9260-8i/SAS 9260DE-8i RAID Controller – Jumpers and Connectors**

Jumper	Type	Description
JT1	Write-pending Indicator (dirty cache) LED connector	2-pin connector  Connects to an LED that indicates when the data in the cache has yet to be written to the storage devices. Used when the write-back feature is enabled.
JT2	SAS Activity LED header	2-pin connector  Connects to an LED that indicates drive activity.
JT3	Battery Backup Unit connector	20-pin connector  Connects the intelligent Battery Backup Unit LSiBBU07 remotely to the RAID controller.
JT4	Global Drive Fault LED header	2-pin connector  Connects to a single LED to indicate whether any drive is in a fault condition.
JT6	x4 SAS Ports 3–0	SFF-8087 x4 internal mini SAS connector  Connects the cables from the RAID controller to SAS drives, SATA II drives, or a SAS expander.
JT7	x4 SAS Ports 7–4  Note: The SAS 9260-4i RAID controller does not have this connector.	SFF-8087 x4 internal mini SAS connector  Connects the cables from the RAID controller to SAS drives, SATA II drives, or a SAS expander.
JT8	Modular RAID Key header	2-pin connector  Reserved for LSI use.
JT9	Set Factory Defaults connector	2-pin connector  Reserved for LSI use.
JT10	LSI Test header	2-pin connector  Reserved for LSI use.

Jumper	Type	Description
JT11	IPMI-style SMBus (System Management)/I <sup>2</sup> C header	3-pin shielded header Provides enclosure management support.
JT12	Individual Drive Fault LED header for Eight Phys (0-7)	16-pin connector Indicates drive faults. There is one LED per port. When lit, each LED indicates the corresponding drive has failed or is in the Unconfigured-Bad state. Refer to the <i>MegaRAID SAS Software User's Guide</i> for more information about drive states.  The LEDs function in a direct-attach configuration (there are no SAS expanders). Direct attach is defined as a maximum of one drive connected directly to each port.  Note: This header is used for RAID controllers with internal SAS ports only.
JT13	Universal Asynchronous Receiver/Transmitter (UART) debugging	4-pin connector Reserved for LSI use.

### 3.1.3 MegaRAID SAS 9261 RAID Controller

The MegaRAID SAS 9261-8i low-profile SAS/SATA II RAID controller controls eight internal SAS/SATA ports through two SFF-8087 mini-SAS 4i connectors.

This subsection provides the board layout, and connector and jumper information for the RAID controller. [Figure 3.3](#) shows the jumpers and connectors on the SAS 9261-8i RAID controller.



**Figure 3.3 Card Layout for the MegaRAID SAS 9261-8i RAID Controller**

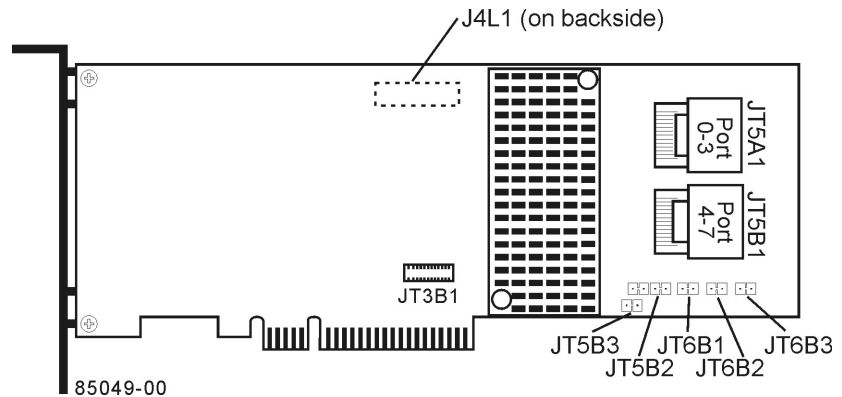


Table 3.3 describes the jumpers and connectors on the SAS 9261-8i RAID controller.

**Table 3.3 SAS 9261-8i RAID Controller – Jumpers and Connectors**

Jumper	Type	Description
J4L1	Remote Battery Backup Unit connector (on the backside of the controller)	20-pin connector Connects the LSIiBBU07 intelligent Battery Backup Unit remotely to the RAID controller.
JT3B1	Battery Backup Unit connector	20-pin connector Connects the LSIiBBU07 intelligent Battery Backup Unit directly to the RAID controller.
JT5A1	x4 SAS Ports 0–3 Mini-SAS 4i connector	Connects the cables from the RAID controller to SAS drives or SATA II drives, or a SAS expander.
JT5B1	x4 SAS Ports 4–7 Mini-SAS 4i connector	Connects the cables from the RAID controller to SAS drives or SATA II drives, or a SAS expander.
JT5B2	Universal Asynchronous Receiver/Transmitter (UART) debugging	4-pin connector Reserved for LSI use.

Jumper	Type	Description
JT5B3	Set Factory Defaults connector	2-pin connector Reserved for LSI use.
JT6B1	Test header	2-pin connector Reserved for LSI use.
JT6B2	Global Drive Fault LED header	2-pin connector Connects to an LED that indicates whether a drive is in a fault condition.
JT6B3	SAS Activity LED header	2-pin connector Connects to an LED that indicates drive activity.

### 3.1.4 MegaRAID SAS 9280 RAID Controllers

The MegaRAID SAS 9280-4i/4e low-profile SAS/SATA II RAID controller controls four internal SAS/SATA ports through one SFF-8087 x4 internal mini SAS connector and four external SAS/SATA ports through one SFF-8087 x4 external mini SAS connector.

The MegaRAID SAS 9280-8e low-profile SAS/SATA II RAID controller controls eight external SAS/SATA ports through two SFF-8088 x4 external mini SAS connectors.

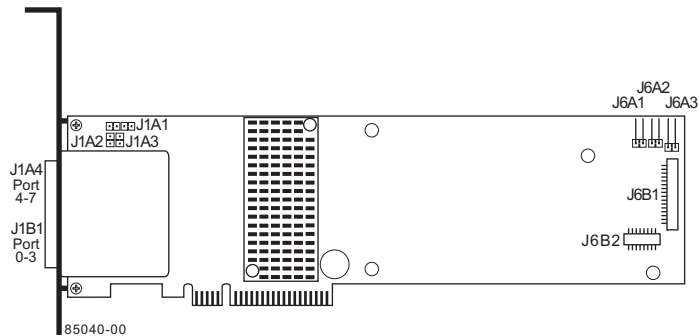
The MegaRAID SAS 9280DE-8e low-profile SAS/SATA II RAID controller controls eight external SAS/SATA ports through two SFF-8088 x4 external mini SAS connectors and offers data security using disk encryption.

This section provides the board layout and connector information for the SAS 9280 controllers.

Figure 3.4 shows the jumpers and connectors on the SAS 9280DE-8e and SAS 9280-8e controllers.

**Note:** The SAS 9280DE-8e has the same connectors as the SAS 9280-8e.

**Figure 3.4 Card Layout for the MegaRAID SAS 9280-8e RAID Controller**



**Note:** Connectors J6A1, J6A2, and J6A3 are behind the LSIiBBU07 when the iBBU is installed, but they are still accessible.

Table 3.4 describes the jumpers and connectors on the SAS 9280-8e RAID controller.

**Table 3.4 SAS 9280-8e and SAS 9280DE-8e RAID Controllers – Connectors**

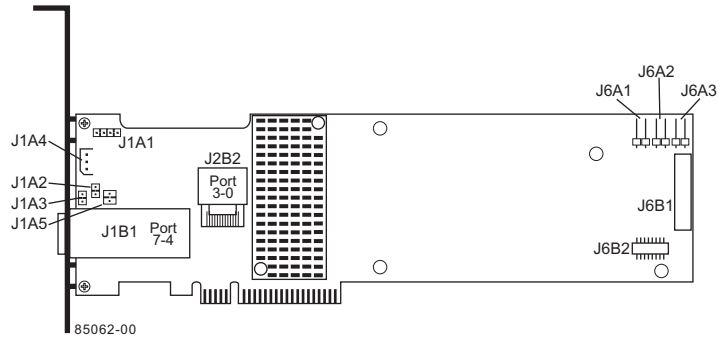
Connector	Description	Comments
J1A1	Universal Asynchronous Receiver/Transmitter (UART) debugging	4-pin connector Reserved for LSI use.
J1A2	Test header	2-pin connector Reserved for LSI use.
J1A3	Set Factory Defaults connector	2-pin connector Reserved for LSI use.
J1A4	x4 SAS Ports 4–7	SFF-8088 x4 external mini SAS connector  Connects the cables from the controller to SAS drives or SATA II drives, or a SAS expander.

**Table 3.4 SAS 9280-8e and SAS 9280DE-8e RAID Controllers – Connectors (Cont.)**

Connector	Description	Comments
J1B1	x4 SAS Ports 0–3	SFF-8088 x4 external mini SAS connector  Connects the cables from the controller to SAS drives or SATA II drives, or a SAS expander.
J6A1	Global Drive Fault LED header	2-pin connector  Connects to an LED that indicates whether a drive is in a fault condition.
J6A2	SAS Activity LED header	2-pin connector  Connects to an LED that indicates drive activity.
J6A3	Write-pending Indicator (dirty cache) LED connector	2-pin connector  Connects to an LED that indicates when the data in the cache has yet to be written to the storage devices. Used when the write-back feature is enabled.
J6B1	Remote Battery Backup Unit connector	20-pin connector  Connects the intelligent Battery Backup Unit, LSIiBBU07, remotely to the RAID controller.
J6B2	Battery Backup Unit connector	20-pin connector  Connects the intelligent Battery Backup Unit, LSIiBBU07, directly to the RAID controller.

Figure 3.5 shows the jumpers and connectors on the SAS 9280-4i/4e controller.

**Figure 3.5 Card Layout for the MegaRAID SAS 9280-4i/4e RAID Controller**



**Note:** Connectors J6A1, J6A2, and J6A3 are behind the LSiIBBU07 when the iBBU is installed, but they are still accessible.

Table 3.4 describes the jumpers and connectors on the SAS 9280-4i/4 RAID controller.

**Table 3.5 SAS 9280-4i/4e RAID Controller – Connectors**

Connector	Description	Comments
J1A1	Universal Asynchronous Receiver/Transmitter (UART) debugging	4-pin connector Reserved for LSI use.
J1A2	LSI Test header	2-pin connector Reserved for LSI use.
J1A3	Set Factory Defaults connector	2-pin connector Reserved for LSI use.
J1A4	IPMI-style I <sup>2</sup> C connector	3-pin connector. Supports SES (SCSI Enclosure Services) over I <sup>2</sup> C over internal I <sup>2</sup> C backplane cable
J1A5	Modular RAID Key header	2-pin shielded header Enables support for RAID 5 configurations and self-encrypting disks (SED).

**Table 3.5 SAS 9280-4i/4e RAID Controller – Connectors (Cont.)**

Connector	Description	Comments
J1B1	x4 SAS Ports 7–4	SFF-8088 x4 external mini SAS connector  Connects the controller by cable to SAS drives or SATA II drives, or a SAS expander.
J2B1	Standard edge card connector	The RAID controller interfaces with the host system through a standard edge card x8 PCI-Express 2.0 bus connection as defined in the PCI-Express specification. This interface provides power to the board and to an I <sup>2</sup> C interface connected to I <sup>2</sup> C bus one for IPMI.
J2B2	x4 SAS Ports 3-0	SFF-8087 x4 internal mini SAS connector  Connects to an LED that indicates whether a drive is in a fault condition.
J6A1	Global Drive Fault LED header	2-pin connector Connects to an LED that indicates whether a drive is in a fault condition.
J6A2	SAS Activity LED header	2-pin connector  Connects to an LED that indicates drive activity.

**Table 3.5 SAS 9280-4i/4e RAID Controller – Connectors (Cont.)**

Connector	Description	Comments
J6A3	Write-pending Indicator (dirty cache) LED connector	2-pin connector  Connects to an LED that indicates when the data in the cache has yet to be written to the storage devices. Used when the write-back feature is enabled.
J6B1	Remote Battery Backup Unit connector	20-pin connector  Connects the LSIiBBU07 intelligent Battery Backup Unit remotely to the RAID controller.
J6B2	Battery Backup Unit connector	20-pin connector  Connects the LSIiBBU07 intelligent Battery Backup Unit remotely to the RAID controller.

**Note:** Connectors J6A1, J6A2, and J6A3 are behind the LSIiBBU07 when the iBBU is installed, but they are still accessible.

## 3.2 MegaRAID SAS 6Gb/s RAID Controller Characteristics

Table 3.6 shows the general characteristics for all MegaRAID 6Gb/s SAS RAID controllers.

**Table 3.6 MegaRAID 6Gb/s SAS RAID Controller Characteristics**

Flash ROM <sup>1</sup>	Serial EEPROM <sup>2</sup>	Data Transfer Rates	SCSI Features	SCSI Termination
Yes	Yes	Up to 6Gb/s per port for SAS and up to 3Gb/s per port for SATA II	Plug and Play Scatter/Gather Activity LED	Active

1. For boot code and firmware.
2. For BIOS configuration storage.

Each MegaRAID 6Gb/s SAS RAID controller ensures data integrity by intelligently validating the compatibility of the SAS domain.

The MegaRAID 6Gb/s SAS RAID controllers use Fusion-MPT architecture, which allows for thinner drivers and better performance.

---

### 3.3 Technical Specifications

The design and implementation of the MegaRAID 6Gb/s SAS RAID controllers minimize electromagnetic emissions, susceptibility to radio frequency energy, and the effects of electrostatic discharge. The MegaRAID 6Gb/s SAS RAID controllers show the following marks and certifications:

- CE mark
- C-Tick mark
- FCC Self-Certification logo
- Canadian Compliance Statement
- Korean MIC
- Taiwan BSMI
- Japan VCCI
- CISPR Class B

The following hardware is compliant with CSA C22.2 No. 60950-1, UL 60950-1 First Edition-listed accessory, UL file number E257743:

- MegaRAID SAS 9240-4i RAID controller (model 25083)
- MegaRAID SAS 9240-8i RAID controller (model 25091)
- MegaRAID SAS 9260-4i RAID controller (model 25121-45A)
- MegaRAID SAS 9260-8i RAID controller (model 25121-44)
- MegaRAID SAS 9260DE-8i RAID controller (model 25121)
- MegaRAID SAS 9261-8i RAID controller (model ??)
- MegaRAID SAS 9280-4i/4e RAID controller (model 25305)
- MegaRAID SAS 9280-8e RAID controller (model 25152)
- MegaRAID SAS 9280DE-8e RAID controller (model 25152)
- LSI intelligent battery backup unit (model 25034)



### 3.3.1 RAID Controller Specifications

Table 3.7 lists the specifications for the MegaRAID 6Gb/s SAS RAID controllers.

**Table 3.7 RAID Controller Specifications**

Specification	MegaRAID SAS 9240, SAS 9260, SAS 9261, and SAS 9280 RAID Controllers
Processor (PCI Express host controller to PCI secondary I/O controller)	SAS 9240 - LSISAS2008 PCI Express-SAS/SATA I/O Processor chip SAS 9260 and SAS 9280 - LSISAS2108 ROC device with Integrated PowerPC processor
Part number	<ul style="list-style-type: none"> <li>• SAS 9240-4i RAID controller: 25083</li> <li>• SAS 9240-8i RAID controller: 25091</li> <li>• SAS 9260-4i RAID controller: 25121</li> <li>• SAS 9260-8i RAID controller: 25121</li> <li>• SAS 9260DE-8i RAID controller: 25121</li> <li>• SAS 9280-4i/4e RAID controller: 25305</li> <li>• SAS 9280-8e RAID controller: 25152</li> <li>• SAS 9280DE-8e RAID controller: 25152</li> <li>• LSliBBU07 intelligent Battery Backup Unit: 25034</li> </ul>
Operating voltage	+3.3 V, +12 V
Card size	<ul style="list-style-type: none"> <li>• SAS 9240-4i RAID controller: Low-profile PCI Express adapter card size (167.64 mm x 68.91 mm)</li> <li>• SAS 9240-8i RAID controller: Low-profile PCI Express adapter card size (167.64 mm x 68.91 mm)</li> <li>• SAS 9260-4i RAID controller: Low-profile PCI Express adapter card size (167.64 mm x 68.91 mm)</li> <li>• SAS 9260-8i RAID controller: Low-profile PCI Express adapter card size (167.64 mm x 68.91 mm)</li> <li>• SAS 9260DE-8i RAID controller: Low-profile PCI Express adapter card size (167.64 mm x 68.91 mm)</li> <li>• SAS 9261-8i RAID controller: Low-profile PCI Express adapter card size (167.64 mm x 94.31 mm)</li> <li>• SAS 9280-4i/4e RAID controller: Low-profile PCI Express adapter card size (167.64 mm x 68.91 mm)</li> <li>• SAS 9280-8e RAID controller: Low-profile PCI Express adapter card size (167.64 mm x 68.91 mm)</li> <li>• SAS 9280DE-8e RAID controller: Low-profile PCI Express adapter card size (167.64 mm x 68.91 mm)</li> </ul>
Array interface to the host	PCI Express Rev. 2.0

**Table 3.7 RAID Controller Specifications (Cont.)**

Specification	MegaRAID SAS 9240, SAS 9260, SAS 9261, and SAS 9280 RAID Controllers
PCI Express bus data transfer rate	<ul style="list-style-type: none"> <li>Up to 5 Gb/s per lane</li> <li>x8 lane width</li> </ul>
Serial port	4-pin RS232-compatible connector (for manufacturing use only)
SAS controller	<ul style="list-style-type: none"> <li>LSISAS2108 Single SAS controller</li> <li>LSISAS2008 PCI Express-SAS/SATA I/O Processor chip</li> </ul>
SAS bus speed	6Gb/s
SAS ports	SAS connectors with four SAS ports each
Cache configuration	<p>The RAID controllers support the following battery-backed cache configuration:</p> <ul style="list-style-type: none"> <li>512 MB – 72b arrangement (5) 64Mx16, Double Data Rate II (DDR2) @ 800 MHz battery-backed module</li> </ul>
Size of flash ROM for firmware	8 Mbytes
Nonvolatile random access memory (NVRAM)	32 Kbytes for storing RAID configurations

### 3.3.2 Array Performance Features

Table 3.8 shows the array performance features for the MegaRAID 6Gb/s SAS RAID controllers.

**Table 3.8 Array Performance Features**

Specification	MegaRAID SAS 9240, SAS 9260, SAS 9261, and SAS 9280 RAID Controllers
PCI Express host data transfer rate	5Gb/s per lane
Drive data transfer rate	6Gb/s per lane
Maximum scatter/gather I/O	80 elements
Maximum size of I/O requests	6.4 Mbytes in 64-Kbyte stripes

**Table 3.8 Array Performance Features (Cont.)**

Specification	MegaRAID SAS 9240, SAS 9260, SAS 9261, and SAS 9280 RAID Controllers
Maximum queue tags per drive	As many as the drive can accept
Stripe sizes	8 Kbytes, 16 Kbytes, 32 Kbytes, 64 Kbytes, 128 Kbytes, 256 Kbytes, 512 Kbytes, or 1 Mbyte
Maximum number of concurrent commands	255

### 3.3.3 Fault Tolerance

Table 3.9 lists the fault tolerance features for the MegaRAID 6Gb/s SAS RAID controllers.

**Table 3.9 Fault Tolerance Features**

Specification	MegaRAID SAS 9240, SAS 9260, SAS 9261, and SAS 9280 RAID Controllers
Support for SMART <sup>1</sup>	Yes
Drive failure detection	Automatic
Drive rebuild using hot spares	Automatic
Parity generation and checking	Yes

1. The Self Monitoring Analysis and Reporting Technology (SMART) detects up to 70 percent of all predictable drive failures. In addition, SMART monitors the internal performance of all motors, heads, and drive electronics.

### 3.3.4 Electrical Characteristics

This subsection provides the power supply requirements for the MegaRAID 6Gb/s SAS RAID controllers.

#### 3.3.4.1 Power Supply Requirements for SAS 9240 RAID Controllers

All power is supplied to the SAS 9240 RAID controllers through the PCI Express 3.3V rails and the 12V rail. Onboard switching regulator circuitry operating from the 3.3V rails and the 12V rail provide the necessary

voltages. The following states determine the typical current consumption of the controller:

- State 1: During a hard reset
- State 2: During a drive stress test
- State 3: While sitting idle at the DOS prompt

The supply voltages are 12V  $\pm$  8 percent (from PCI edge connector only) and 3.3V  $\pm$  9 percent (from PCI edge connector only). [Table 3.10](#) lists the power supply for the RAID controllers for each of the three states at the different voltages.

**Table 3.10 Power Supply for SAS 9240 RAID Controllers**

PCI Edge Connector	State 1	State 2	State 3
3.3V supply	330mA	330mA	330mA
+12V supply	1.00A	1.81A	1.53A
3.3V auxiliary supply	30mA	30mA	30mA

#### 3.3.4.2 Operating and Non-operating Conditions for the SAS 9240 RAID Controllers

For the SAS 9240 RAID controllers, the operating (thermal and atmospheric) conditions are:

- Relative humidity range is 20 percent to 80 percent noncondensing.
- Airflow must be at least 200 linear feet per minute (LFPM) to avoid operating the LSISAS2008 processor above the maximum ambient temperature.
- Temperature range: +10 °C to +60 °C.

The parameters for the non-operating (such as storage and transit) environment for these controllers are:

- Relative humidity range is 5 percent to 90 percent noncondensing.
- Temperature range: -30° C to +80° C.

#### 3.3.4.3 Power Supply Requirements for SAS 9260 RAID Controllers

All power is supplied to the SAS 9260 RAID controllers through the PCI Express 3.3V rails and the 12V rail. Onboard switching regulator circuitry

operating from the 3.3V rails and the 12V rail provide the necessary voltages. The following states determine the typical current consumption of the controller:

- State 1: During a hard reset
- State 2: During a drive stress test
- State 3: While sitting idle at the DOS prompt

The supply voltages are 12V  $\pm$  8 percent (from PCI edge connector only) and 3.3V  $\pm$  9 percent (from PCI edge connector only). [Table 3.11](#) lists the power supply for the RAID controllers for each of the three states at the different voltages.

**Table 3.11 Power Supply for SAS 9260 RAID Controllers**

PCI Edge Connector	State 1	State 2	State 3
3.3V supply	330mA	330mA	330mA
+12V supply	1.00A	1.81A	1.53A
3.3V auxiliary supply	30mA	30mA	30mA

**Note:** +12V is used in the charging circuitry for the battery pack on the optional iBBU battery-backed daughter card. If the BBU daughter card is mounted, the following power consumption figures apply:

- During trickle charging of the battery pack: N/A (no trickle charge for Li-ION)
- During fast charging of the battery pack: 230mA in +12V current

#### 3.3.4.4 Operating and Non-operating Conditions for SAS 9260 RAID Controllers

For the SAS 9260 RAID controllers, the operating (thermal and atmospheric) conditions are:

- Relative humidity range is 5 percent to 90 percent noncondensing (20 percent to 80 percent noncondensing for the RAID controllers)
- Airflow must be at least 200 linear feet per minute (LFPM) to avoid operating the LSI SAS2108 processor above the maximum ambient temperature

- Temperature range: +10 °C to +60 °C without battery backup unit
- Temperature range: +10 °C to +44.5 °C with iBBU battery backup

The parameters for the non-operating (such as storage and transit) environment for these controllers are:

- Temperature range: -30° C to +80° C without the battery backup unit
- Temperature range: 0° C to +45° C with the battery backup unit

### 3.3.4.5 Power Supply Requirements for the SAS 9261 RAID Controller

All power is supplied to the SAS 9261 RAID controller through the PCI Express 3.3V rails and the 12V rail. Onboard switching regulator circuitry operating from the 3.3V rails and the 12V rail provide the necessary voltages. The following states determine the typical current consumption of the controller:

- State 1: During a hard reset
- State 2: During a drive stress test
- State 3: While sitting idle at the DOS prompt

The supply voltages are 12V ± 8 percent (from PCI edge connector only) and 3.3V ± 9 percent (from PCI edge connector only). [Table 3.11](#) lists the power supply for the RAID controller for each of the three states at the different voltages.

**Table 3.12 Power Supply for SAS 9261 RAID Controllers**

PCI Edge Connector	State 1	State 2	State 3
3.3V supply	330mA	330mA	330mA
+12V supply	1.00A	1.81A	1.53A
3.3V auxiliary supply	30mA	30mA	30mA

**Note:** +12V is used in the charging circuitry for the battery pack on the optional iBBU battery-backed daughter card. If the BBU daughter card is mounted, the following power consumption figures apply:

- During trickle charging of the battery pack: N/A (no trickle charge for Li-ION)

- During fast charging of the battery pack: 230mA in +12V current

### 3.3.4.6 Operating and Non-operating Conditions for the SAS 9261 RAID Controller

For the SAS 9261 RAID controllers, the operating (thermal and atmospheric) conditions are:

- Relative humidity range is 5 percent to 90 percent noncondensing (20 percent to 80 percent noncondensing for the RAID controllers)
- Airflow must be at least 200 linear feet per minute (LFPM) to avoid operating the LSI SAS2108 processor above the maximum ambient temperature
- Temperature range: +10 °C to +60 °C without battery backup unit
- Temperature range: +10 °C to +44.5 °C with iBBU battery backup

The parameters for the non-operating (such as storage and transit) environment for these controllers are:

- Temperature range: -30° C to +80° C without the battery backup unit
- Temperature range: 0° C to +45° C with the battery backup unit

### 3.3.5 Power Supply Requirements for SAS 9280 RAID Controllers

All power is supplied to the SAS 9280-8e and SAS 9280DE-8e RAID controllers through the PCI Express 3.3V rails and the 12V rail. Onboard switching regulator circuitry operating from the 3.3V rails and the 12V rail provide the necessary voltages. The following states determine the typical current consumption of the controller:

- State 1: During a hard reset
- State 2: During a disk stress test
- State 3: While sitting idle at the DOS prompt

The supply voltages are 12V ± 8 percent (from PCI edge connector only) and 3.3V ± 9 percent (from PCI edge connector only). [Table 3.13](#) lists the power supply for the controller for each of the three states at the different voltages.

**Table 3.13 Power Supply for SAS 9280 RAID Controllers**

PCI Edge Connector	State 1	State 2	State 3
3.3V supply	330mA	330mA	330mA
+12V supply	1.00A	1.81A	1.53A
3.3V auxiliary supply	30mA	30mA	30mA

**Note:** +12V is used in the charging circuitry for the battery pack on the optional iBBU battery-backed daughter card. If the iBBU daughter card is mounted, the following power consumption figures apply:

- During fast charging of the battery pack: 230mA in +12V current

### 3.3.5.1 Operating and Non-operating Conditions for SAS 9280 RAID Controllers

The operating (thermal and atmospheric) conditions for the SAS 9280-8e RAID controller are:

- Relative humidity range is 5% to 90% noncondensing.
- Airflow must be at least 200 linear feet per minute (LFPM) to avoid operating the LSI SAS2108 processor above the maximum ambient temperature.
- Temperature range: +10 °C to +60 °C without battery backup unit.
- Temperature range: +10 °C to +44.5 °C with iBBU battery backup.

The parameters for the non-operating (such as storage and transit) environment for the controller are:

- Temperature range: -30 °C to +80 °C without battery backup unit.
- Temperature range: 0 °C to +45 °C with iBBU battery backup.

### 3.3.6 Safety Characteristics

All MegaRAID 6Gb/s SAS RAID controllers meet or exceed the requirements of UL flammability rating 94 V0. Each bare board is also marked with the supplier name or trademark, type, and UL flammability rating. For the boards installed in a PCI Express bus slot, all voltages are lower than the SELV 42.4V limit.



# Appendix A

## Glossary of Terms and Abbreviations

---

<b>BIOS</b>	Acronym for Basic Input/Output System. Software that provides basic read/write capability. Usually kept as firmware (ROM-based). The system BIOS on the motherboard of a computer boots and controls the system. The BIOS on your host adapter acts as an extension of the system BIOS.
<b>configuration</b>	Refers to the way a computer is set up, the combined hardware components (computer, monitor, keyboard, and peripheral devices) that make up a computer system, or the software settings that allow the hardware components to communicate with each other.
<b>device driver</b>	A program that allows a microprocessor (through the operating system) to direct the operation of a peripheral device.
<b>domain validation</b>	A software procedure in which a host queries a device to determine its ability to communicate at the negotiated data rate.
<b>drive group</b>	A group of physical drives that combines the storage space on the drives into a single segment of storage space. A hot spare drive does not actively participate in a drive group.
<b>EEPROM</b>	Acronym for Electrically Erasable Programmable Read-Only Memory. It is a memory chip that typically stores configuration information, as it provides stable storage for long periods without electricity and can be reprogrammed. Refer to NVRAM.
<b>external SAS device</b>	A SAS device installed outside the computer cabinet. These devices are connected using specific types of shielded cables.
<b>Fusion-MPT architecture</b>	An acronym for Fusion-Message Passing Technology architecture. Fusion-MPT consists of several main elements: Fusion-MPT firmware, the Fibre Channel and SCSI hardware, and the operating system level drivers that support these architectures. Fusion-MPT architecture offers a single binary, operating system driver that supports both Fibre Channel and SCSI devices.

<b>host</b>	The computer system in which a RAID controller is installed. It uses the RAID controller to transfer information to and from devices attached to the SCSI bus.
<b>host adapter board</b>	A circuit board or integrated circuit that provides a device connection to the computer system.
<b>hot spare</b>	<p>An idle, powered on, standby drive that is ready for immediate use in case of drive failure. A hot spare does not contain any user data. A hot spare can be dedicated to a single redundant array or it can be part of the global hot-spare pool for all arrays managed by the controller.</p> <p>When a drive fails, the controller firmware automatically replaces and rebuilds the data from the failed drive to the hot spare. Data can be rebuilt only from virtual drives with redundancy (RAID levels 1, 5, 6, 10, 50, and 60; not RAID level 0), and the hot spare must have sufficient capacity.</p>
<b>internal SAS device</b>	A SAS device installed inside the computer cabinet. These devices are connected by using a shielded cable.
<b>main memory</b>	The part of computer memory that is directly accessible by the CPU (usually synonymous with RAM).
<b>NVRAM</b>	Acronym for nonvolatile random access memory. An EEPROM (electronically erasable read-only memory) chip that stores configuration information. Refer to EEPROM.
<b>PCI</b>	Acronym for peripheral component interconnect. A high-performance, local bus specification that allows the connection of devices directly to computer memory. The PCI Local Bus allows transparent upgrades from 32-bit data path at 33 MHz to 64-bit data path at 33 MHz, and from 32-bit data path at 66 MHz to 64-bit data path at 66 MHz.
<b>PCI Express</b>	Acronym for peripheral component interconnect Express. A high-performance, local bus specification that allows the connection of devices directly to computer memory. PCI Express is a two-way, serial connection that transfers data on two pairs of point-to-point data lines. PCI Express goes beyond the PCI specification in that it is intended as a unifying I/O architecture for various systems: desktops, workstations, mobile, server, communications, and embedded devices.

**peripheral devices**

A piece of hardware (such as a video monitor, drive, printer, or CD-ROM) used with a computer and under the control of the computer. SCSI peripherals are controlled through a SAS MegaRAID SAS RAID controller (host adapter).

**PHY**

The interface required to transmit and receive data packets transferred across the serial bus.

Each PHY can form one side of the physical link in a connection with a PHY on a different SATA device. The physical link contains four wires that form two differential signal pairs. One differential pair transmits signals, while the other differential pair receives signals. Both differential pairs operate simultaneously and allow concurrent data transmission in both the receive and the transmit directions.

**RAID**

Acronym for Redundant Array of Independent Disks (originally Redundant Array of Inexpensive Disks). An array of multiple independent drives managed together to yield higher reliability, performance, or both exceeding that of a single drive. The RAID array appears to the controller as a single storage unit. I/O is expedited because several drives can be accessed simultaneously. Redundant RAID levels (RAID levels 1, 5, 6, 10, 50, and 60) provide data protection.

**RAID levels**

A set of techniques applied to drive groups to deliver higher data availability, performance characteristics, or both to host environments. Each virtual drive must have a RAID level assigned to it.

**SAS**

Acronym for Serial Attached SCSI. A serial, point-to-point, enterprise-level device interface that leverages the proven SCSI protocol set. The SAS interface provides improved performance, simplified cabling, smaller connections, lower pin count, and lower power requirements when compared to parallel SCSI. SAS controllers leverage a common electrical and physical connection interface that is compatible with Serial ATA. The SAS controllers support the ANSI *Serial Attached SCSI Standard, Version 2.0*. In addition, the controller supports the Serial ATA II (SATA II) protocol defined by the *Serial ATA Specification, Version 1.0a*. Supporting both the SAS interface and the SATA II interface, the SAS controller is a versatile controller that provides the backbone of both server and high-end workstation environments. Each port on the SAS RAID controller supports SAS devices, SATA II devices, or both.

<b>SAS device</b>	Any device that conforms to the SAS standard and is attached to the SAS bus by a SAS cable. This includes SAS RAID controllers (host adapters) and SAS peripherals.
<b>SATA</b>	Acronym for Serial Advanced Technology Attachment. A physical storage interface standard, SATA is a serial link that provides point-to-point connections between devices. The thinner serial cables allow for better airflow within the system and permit smaller chassis designs.
<b>SMP</b>	Acronym for Serial Management Protocol. SMP communicates topology management information directly with an attached SAS expander device. Each PHY on the controller can function as an SMP initiator.
<b>SSP</b>	Acronym for Serial SCSI Protocol. SSP enables communication with other SAS devices. Each PHY on the SAS controller can function as an SSP initiator or SSP target.
<b>STP</b>	Acronym for Serial Tunneling Protocol. STP enables communication with a SATA II device through an attached expander. Each PHY on the SAS controller can function as an STP initiator.
<b>stripe size</b>	The total drive space consumed by a stripe not including a parity drive. For example, consider a stripe that contains 64 Kbytes of drive space and has 16 Kbytes of data residing on each drive in the stripe. In this case, the stripe size is 64 Kbytes and the stripe element size is 16 Kbytes. The stripe depth is four (four drives in the stripe). You can specify stripe sizes of 8 Kbytes, 16 Kbytes, 32 Kbytes, 64 Kbytes, 128 Kbytes, 256 Kbytes, 512 Kbytes, or 1 Mbyte for each virtual drive. A larger stripe size produces improved read performance, especially if most of the reads are sequential. For mostly random reads, select a smaller stripe size.
<b>striping</b>	Drive striping writes data across two or more drives. Each stripe spans two or more drives but consumes only a portion of each drive. Each drive, therefore, may have several stripes. The amount of space consumed by a stripe is the same on each drive that is included in the stripe. The portion of a stripe that resides on a single drive is a stripe element. Striping by itself does not provide data redundancy; striping in combination with parity provides data redundancy.

# Customer Feedback

---

We would appreciate your feedback on this document. Please copy the following page, add your comments, and fax it to us at the number shown.

If appropriate, please also fax copies of any marked-up pages from this document.

Important: Please include your name, phone number, fax number, and company address so that we can contact you directly for clarification or additional information.

Thank you for your help in improving the quality of our documents.

---

## Reader's Comments

Fax your comments to: LSI Corporation  
Technical Publications  
M/S E-198  
Fax: 408.433.4333

Please tell us how you rate this document: *MegaRAID 6Gb/s SAS RAID Controllers User's Guide*. Place a check mark in the appropriate blank for each category.

	Excellent	Good	Average	Fair	Poor
Completeness of information	_____	_____	_____	_____	_____
Clarity of information	_____	_____	_____	_____	_____
Ease of finding information	_____	_____	_____	_____	_____
Technical content	_____	_____	_____	_____	_____
Usefulness of examples and illustrations	_____	_____	_____	_____	_____
Overall manual	_____	_____	_____	_____	_____

What could we do to improve this document?

\_\_\_\_\_

\_\_\_\_\_

\_\_\_\_\_

\_\_\_\_\_

If you found errors in this document, please specify the error and page number. If appropriate, please fax a marked-up copy of the page(s).

\_\_\_\_\_

\_\_\_\_\_

\_\_\_\_\_

Please complete the information below so that we may contact you directly for clarification or additional information.

Name \_\_\_\_\_ Date \_\_\_\_\_

Telephone \_\_\_\_\_ Fax \_\_\_\_\_

Title \_\_\_\_\_

Department \_\_\_\_\_ Mail Stop \_\_\_\_\_

Company Name \_\_\_\_\_

Street \_\_\_\_\_

City, State, Zip \_\_\_\_\_

*Customer Feedback*

## Free Manuals Download Website

<http://myh66.com>

<http://usermanuals.us>

<http://www.somanuals.com>

<http://www.4manuals.cc>

<http://www.manual-lib.com>

<http://www.404manual.com>

<http://www.luxmanual.com>

<http://aubethermostatmanual.com>

Golf course search by state

<http://golfingnear.com>

Email search by domain

<http://emailbydomain.com>

Auto manuals search

<http://auto.somanuals.com>

TV manuals search

<http://tv.somanuals.com>