



FNC-0115

100FX Multi-mode SC Fiber Optic PCI Express Card

User Manual

Ver. 1.00-0801

Table of Contents

1. Overview	1
2. Checklist	1
3. Model Description	1
4. Network Remote Boot Configuration.....	1
5. LED Description	2
6. Wake on LAN	2
7. Network Parameter	3
8. Technical Specifications	4

Caution

Circuit devices are sensitive to static electricity, which can damage their delicate electronics. Dry weather conditions or walking across a carpeted floor may cause you to acquire a static electrical charge.

To protect your device, always:

- Touch the metal chassis of your computer to ground the static electrical charge before you pick up the circuit device.
- Pick up the device by holding it on the left and right edges only.

Electronic Emission Notices

Federal Communications Commission (FCC) Statement

This equipment has been tested and found to comply with the limits for a class B computing device pursuant to Subpart J of part 15 of FCC Rules, which are designed to provide reasonable protection against such interference when operated in a commercial environment.

European Community (CE) Electromagnetic Compatibility Directive

This equipment has been tested and found to comply with the protection requirements of European Emission Standard EN55022/EN60555-2 and the Generic European Immunity Standard EN50082-1.

EMC:	EN55022(1988)/CISPR-22(1985)	class B
	EN60555-2(1995)	class B
	EN60555-3	
	IEC1000-4-2(1995)	4K V CD, 8KV, AD
	IEC1000-4-3(1995)	3V/m
	IEC1000-4-4(1995)	1KV – (power line), 0.5KV – (signal line)

1. Overview

Fast Ethernet PCI-e 100Base-FX Fiber Adapter is a Fast Ethernet Board that fully complies with all IEEE 802.3u and 100Base-FX standards. Two LED indicators (LINK/ACT and FDX) on the bracket will help to oversee the board link, activities and full-duplex status.

Fast Ethernet PCI-e 100Base-FX Fiber adapters support Pre-boot Execution Environment (PXE), Remote Program Load (RPL), and Bootstrap Protocol (BOOTP). Multi-Boot Agent (MBA) is a software module that allows your networked system to boot with the images provided by remote systems across the network.

2. Checklist

Before you start installing the PCI-e 100Base-FX Fiber Adapter, verify that the package contains the following items:

- Fast Ethernet PCI-e 100Base-FX Fiber Adapter
- LAN Driver and User's Guide CD-ROM

Please notify your sales representative immediately if any of the aforementioned items is missing or damaged.

3. Model Description

PCI-e 100Base-FX Board Models	
Fiber Transceiver	Wavelength
SC multi-mode	1310nm

4. Network Remote Boot Configuration

4.1 Select Remote Boot Type

For entering "MBA Configuration Menu" to select Remote Boot Type (PXE, RPL), please press Shift-F10 within 3 seconds after power on your PC, otherwise, the system would go to Windows O.S.

4.2 Set Network Remote Boot

For setting network remote boot, please enter PC BIOS first, then select "Boot" tab, after that, choose "MBA" as the priority first boot device.

4.3 Cancel Network Remote Boot

To cancel network remote boot, please change the "Boot" setting in PC BIOS from "MBA" to "Hard Drive" or other devices.

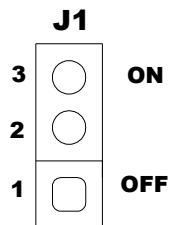
5. LED Description

LED	Color	Function
LINK/ACT	Green	Lit when cable connection is good and speed is at 100Mbps. Blinks when any traffic is present.
FDX	Green	Lit when full-duplex mode is active.

6. Wake on LAN

The Wake on LAN function on this adapter can recognize a wake-up frame and signal the PC to power up.

The default value of WOL (Wake on LAN) function is ON. You can also disable the WOL function by putting the jumper on the pin 1 and pin 2.
Never drop the jumper, otherwise FNC-0115 will be lack of electricity.



Wake on LAN select Jumper (J1)

7. Network Parameter

Multi-mode Fiber 62.5/125um, 50/125um	
Full Duplex	2000m

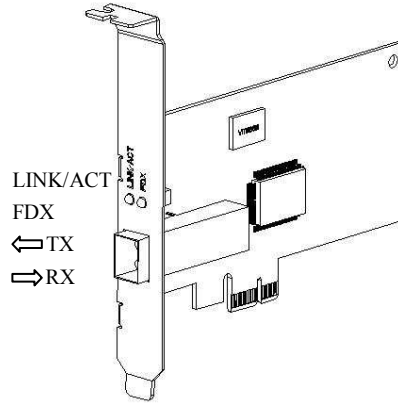


Fig. 1 Diagnostic LEDs and Bracket

8. Technical Specifications

Standards : IEEE 802.3u Fast Ethernet 100Base-FX
IEEE 802.3x Full-Duplex Flow Control
IEEE 802.1Q VLAN

Connector : 1310nm SC multi-mode

Fiber Optic Cable:

— 62.5/125, 50/125 μ m multi-mode

Data Transfer Mode/Speed:

— Full duplex (Default) mode
— 100Mbps speed

Diagnostics LED on Bracket:

— LINK/ACT
— FDX

Bus Slot : PCI-e 1.0 Compliant

Power Requirement : Max. 3W, +3.3VDC@1A

Ambient Temperature : 0° to 50°C

Humidity : 5% to 90%

Emission : Complies with EMI Standard
FCC Class B
CE Mark

Free Manuals Download Website

<http://myh66.com>

<http://usermanuals.us>

<http://www.somanuals.com>

<http://www.4manuals.cc>

<http://www.manual-lib.com>

<http://www.404manual.com>

<http://www.luxmanual.com>

<http://aubethermostatmanual.com>

Golf course search by state

<http://golfingnear.com>

Email search by domain

<http://emailbydomain.com>

Auto manuals search

<http://auto.somanuals.com>

TV manuals search

<http://tv.somanuals.com>