



## Installation/Operation Instructions

### Fiber Optic RGB & DVI Video Transmission System

Part Numbers:

**RGB-T-0 & RGB-R-0**

*(Single-channel, RGB / DVI Transmitter & Receiver)*



700 Elmont Rd, Elmont, NY 11003, Tel: 516-285-1000; Fax: 516-285-6300

[www.Meridian-tech.com](http://www.Meridian-tech.com)

## **Table of Contents**

1.0	Product Description.....	3
2.0	Installation .....	3
2.1	Fiber connections.....	3
3.0	Product Signal Format & Specifications.....	4
3.1	RGB resolutions & refresh rates.....	4
3.2	RGB Video Adjustments .....	4
3.3	RGB to DVI conversion .....	5
3.4	RGsB Input/Output.....	5
3.5	Connectors.....	6
3.6	Conversion Cables.....	6
4.0	Front Panel Pinout Assignment Diagram .....	7
4.1	Status Indicators .....	7
5.0	Troubleshooting .....	8
	Appendix 1 – Supported Video Resolutions & Refresh Rates .....	8
	Part Number Variations.....	10

## 1.0 Product Description

Meridian's RGB-T/R product is part of Meridian's new **DigiView** product family. This state-of-the-art, high performance video transmission system transmits fully-compliant DVI, RGsB or RGBHV signals over one, multimode fiber. Optional DVI adapter cables allow easy interface to standard video connection interfaces on computers, monitors, switches, etc. The RGB-T/R provides real-time, digitized transmission of DVI, RGB and H&V sync signals. Because it transmits signals in real-time, no video information is lost and is a perfect solution for dynamic video signals with crystal clear video and no color pixel skewing.

Having both DVI and RGB input/output capability, this system offers an easy upgrade path from RGB to DVI systems with the same modules. With this dual input/output capability, the user can easily interface RGBHV sources to DVI monitors and also DVI video sources to standard RGBHV monitors and video switches. The user can further enhance the video performance with the use of the computer USB interface. This data channel allows the user to adjust brightness, contrast, H&V position, picture sharpness, color, etc.

This product uses Meridian's standard 1-slot wide chassis mount card assembly and plugs into the following Meridian chassis: SR-500/S, SR-1000/S, SR-1200/S, SR-1500/S, and SR-2001 & SR-2000 series 19" equipment chassis.

## 2.0 Installation

The RGB/DVI series products are one-slot wide cards and, as such, occupy one slot in Meridian's standard chassis (SR-500/S, SR-1000/S, SR-1200/S, SR-1500/S, and SR-2001 & SR-2000 series 19" equipment chassis). To install in the chassis, orient the card with the Meridian logo at the top of the module and slide onto the top and bottom card guides in the chassis. Press securely on the top and bottom of the module to ensure that it is fully seated in the chassis so that the electrical connector mates with the chassis-mounted motherboard. Once installed, manually tighten the two thumbscrews located at the top and bottom of the card. Do not use tools to secure these and do not over tighten.

**Note:** A fully populated subrack should have forced-air cooling to avoid excessive heat buildup inside the chassis. A fan assembly tray (P/N FA-2000/1) with three (3) fans is available from Meridian and should be installed under the 19" SR-2000/1 whenever possible.

### 2.1 Fiber connections

There is one ST style fiber connection interface on the transmitter and a corresponding ST style fiber connection on the receiver. These modems are designed for multimode fiber (either 62.5 or 50 micron core diameter fiber). The maximum fiber distance is listed below:

<b>Fiber type</b>	<b>Maximum distance</b>
62.5/125um	300 meters
50/125um (standard performance)	1000 meters
50/125um (high bandwidth)	2000 meters

If the fiber distance is larger than that listed above, the video signal quality will be compromised and may not operate properly.

## 3.0 Product Signal Format & Specifications

The RGB series products transmit and receive the following signals over one multimode fiber:

- DVI, RGBHV, RGsB (YPbPr)
- VGA, SVGA, SGA, SXGA & UXGA - Auto selection of resolutions and refresh rates from 640x480 to 1600x1200 x 60Hz
- HDTV resolutions of 480p, 720p and 1080i (DVI & RGBHV), 1080p (DVI only)
- H&V Sync frequency range of 60Hz to 150Hz (vertical), 30 to 130kHz (horizontal)
- RGB processing – 24-bits, no compression or scaling
- Input impedance/level – RGB 75ohm,

### 3.1 RGB resolutions & refresh rates

Meridian's RGB-T/R-0 transmission system is designed to automatically sense and configure itself to work with many of the standard video resolutions and screen refresh rates. When first connected to an RGBHV video source, the transmitter/receiver pair will determine the incoming signal characteristics, search its internal firmware database and modify the characteristics of the system to properly encode, transmit and decode the signal. This initial recognition will cause the monitor's display to go blank for approximately 1 second while the system synchronizes with the incoming signal. Once completed the video transmission will continue.

The Resolution/Refresh rate table Appendix 1 lists the various video resolutions and refresh rates these modules support – at the time of this writing. If needed, please contact Meridian for an updated list of the resolutions/refresh rates this product supports.

### 3.2 RGB Video Adjustments

There are occasions where the resolution of the video source does not exactly match the resolution of the monitor or minor adjustments in color, contrast, picture position need to be made. In this case, the quality of the video may be somewhat compromised. In order to correct this, the RGB-T/R modules can be adjusted slightly to make minor corrections in the quality of the video signal. These adjustments include Horizontal/Vertical position, color, brightness and contrast. The steps below identify the proper procedure for installing and running the supplied software.

There are no physical hardware adjustments on this equipment. All of the adjustments are made with the supplied software that can be installed on your Windows 2000/XP computer. Please follow the instructions below on the software installation.

#### RGB-HV Interface software installation

1. Insert the card into the chassis or card cage and turn the RGB-HV transmitter's power supply
2. Insert the USB cable into the USB connector on the transmitter's front panel and into an unused USB port on your computer (This supports either USB1.1 or USB2.0 ports)
3. Follow the various screen prompts to install the software from the CD supplied with the product.
4. Once installed you can go to Windows Device Manager (Ports (COM & LPT)) to ensure that the appropriate COM port has been installed
5. Click START button on task bar, then Programs and choose RGBCARDINTERFACE program. The interface should come up. Select choose the appropriate com port. If necessary, you can select an alternate port where the hardware resides.
6. There are three (3) tabs on the top of this window – "File", "Settings", and "Presets". Click on the "Settings" tab only. The "Display Adjustment" screen will appear.
7. The only adjustment that may need to be made is Phase Adjust. This may need adjustment if some level of unwanted 'ghosting' or vertical bars appears on the display. Normally, no adjustments will be necessary.

700 Elmont Rd, Elmont, NY 11003, Tel: 516-285-1000; Fax: 516-285-6300

[www.Meridian-tech.com](http://www.Meridian-tech.com)

8. If you need to revert back to the original setup conditions, click the "Presets" tab of the 'RGB Card Interface Transmitter' and select Current screen size.
9. This concludes the fine tuning adjustments of the RGB-HV transmission system

### 3.3 RGB to DVI conversion

These modems are capable of operating in both RGBHV & DVI modes. Both the Tx & Rx units can be individually configured to transmit/receive either RGBHV or DVI. In order to do this, one switch on the Tx and Rx boards must be set. The table and figure below show the location of this switch on the circuit board and the proper configuration of the switch for the desired mode of operation.

RGB/DVI Selector Switch		
Mode (Tx or Rx)	Tx Switch #1	Rx Switch #1
RGB (In) - RGB (out) - Default	OFF (up)	OFF (up)
RGB (In) – DVI (out)	OFF (up)	ON (down)
DVI (In) – RGB (out)	ON (down)	OFF (up)
DVI (In) – DVI (out)	ON (down)	ON (down)

The photo below shows the location of the bank of switches. The only switch in this bank of 10 switches that needs to be configured is Switch #1 (far left switch). The default position is ON (up) for RGB operation. Each of the Tx/Rx modules can be configured individually so that, if desired, you can make a conversion between RGBHV & DVI. The above table indicates how each of these configurations can be accommodated using this RGB/DVI selector switch.

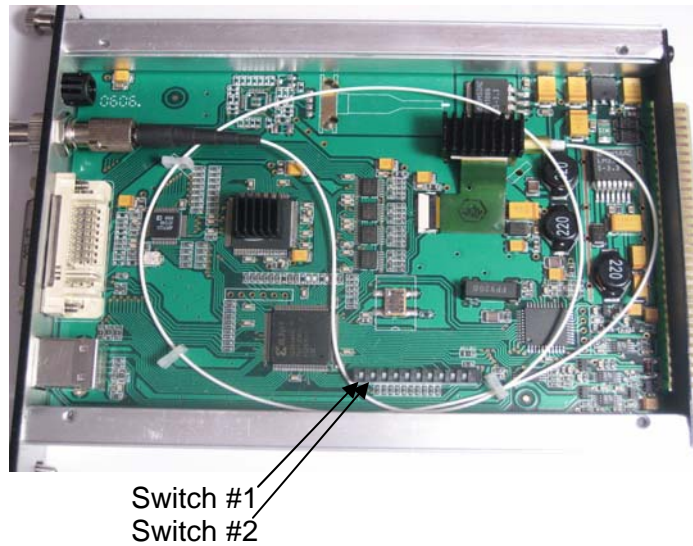
This switch bank can be accessed either by using a small screwdriver to reach inside the slot module's cover on the right side. Otherwise, the side cover can be carefully removed (screws in each corner of the card) where the switch can then be accessed.

### 3.4 RGSB Input/Output

These units can also be used to transmit and receive RGSB (RGB w/sync on Green) video signals. The selector switch on the appropriate Tx/Rx units must be set to transmit or receive this signal. In order to input or output an RGSB video signal, both switch 1 & 2 must be in the ON (down) position.

RGSB Selector Switch				
Mode (Tx or Rx)	Transmitter (RGB-T-0)		Receiver (RGB-R-0)	
	Switch #1	Switch #2	Switch #1	Switch #2
RGB (In) - RGB (out) - Default	OFF (up)	OFF (up)	OFF (up)	OFF (up)
RGSB (In) – RGB (out)	OFF (up)	ON (down)	OFF (up)	OFF (up)
RGB (In) – RGSB (out)	OFF (up)	Off (up)	OFF (up)	ON (down)
RGSB (In) – RGSB (out)	OFF (up)	ON (down)	OFF (up)	ON (down)

Note: To convert to or from DVI using RGSB, please follow the table in section 3.3 for the correct switch setting for the DVI interface selection.





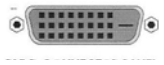

### 3.5 Connectors

The tables below identify the various connectors on the modules. The DVI-I connector is mounted to the module's front panel on both the transmitter and receiver.

<b>Connectors</b>	
Video	Standard DVI-I female (with RGBHV analog inputs/outputs) DVI-I to RGBHV (HD-15 female) molded adapter (dongle)
RGB adjustment	4-pin USB (type B)
Optical	Multimode - ST

### 3.6 Conversion Cables

There are several types of DVI connectors that are mounted on standard computers and monitors. Meridian offers standard adapter cables (6 ft length) to properly interface these various connectors to our RGB-T/R modules. The table below identifies the type of connectors and the corresponding Meridian adapter cable that should be used. The connector on the opposite end of the cable is the standard DVI-I connector that interfaces to the RGB transmitter/receiver modules.

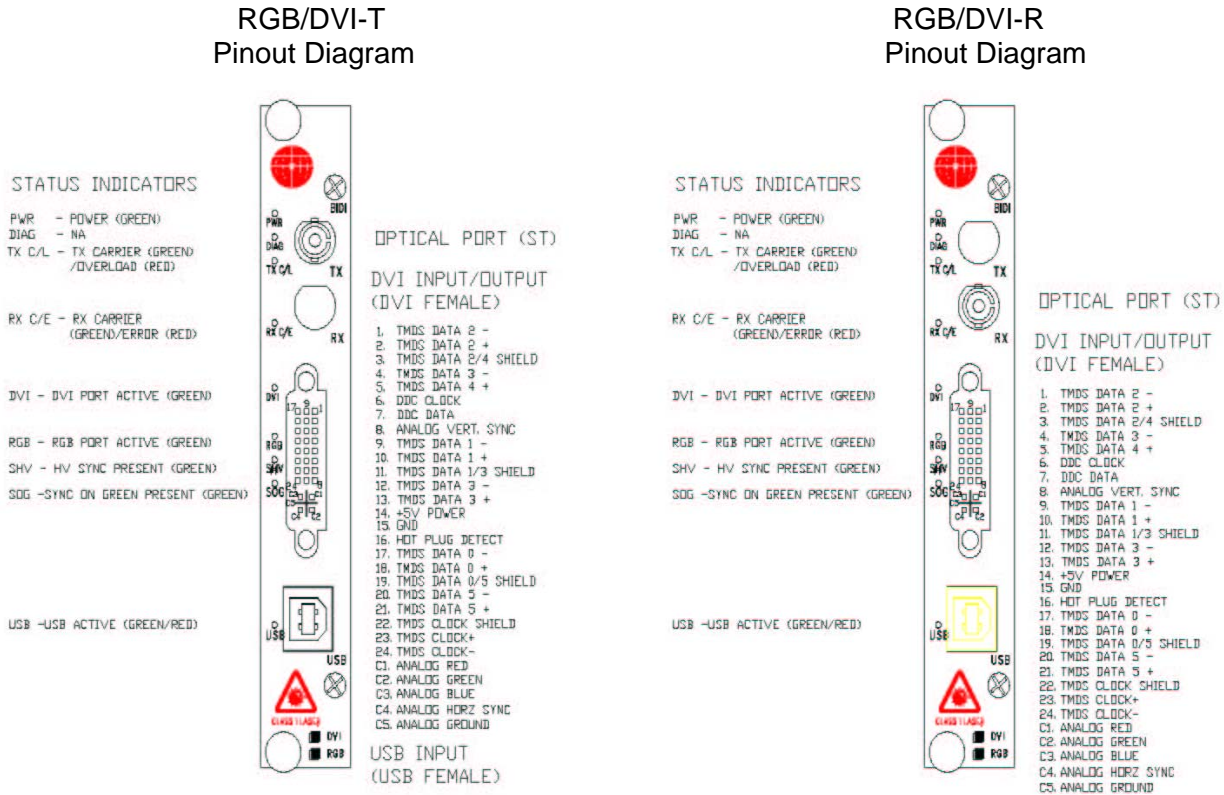
Computer/Input/Output Device	Adapter Cable Part Number
 HD15(M)	C-HD15-6
 DVI-I Connector	C-DVI-I-6
 DVI-D Connector	C-DVI-D-6
BNC Connectors  Red Grn Blu H-Syn V-Syn	C-BNC-6

700 Elmont Rd, Elmont, NY 11003, Tel: 516-285-1000; Fax: 516-285-6300

[www.Meridian-tech.com](http://www.Meridian-tech.com)

## 4.0 Front Panel Pinout Assignment Diagram

Figure 4.1 below shows the front panel layout, connector location, indicator location and pinout assignment for both the RGB-T and RGB-R modules. This diagram shows the video pinouts for the on-board DVI-I video connector.



**Figure 4.1**  
**RGB-T-0 & RGB-R-0 Front Panel Layout Diagrams**

### 4.1 Status Indicators

There are function status indicator lights associated these modules. They are identified as follows:

Power:	Green (ON)
Diagnostic:	Green (OK), Red (alarm)
Tx Carrier (transmitter only):	Green (OK), Red (alarm)
Rx Carrier (receiver only):	Green (Present)/Red (Error)
DVI active:	Green
RGB active:	Green
SHV (sync H&V):	Green (present)
SOG (sync on green):	Green (present)
USB active:	Green (Rx-data), Red (Tx-data)

## 5.0 Troubleshooting

Below is a listing of several problems that may arise during the installation & operation of the modules. If you are having difficulty installing or operating the modules please refer to this list below.

**Problem:** *Module does not fit in chassis slots*

**Action:** Check module orientation. Meridian “Globe” must be oriented on the top left hand side of the module

Make sure the card guides in the chassis are aligned with the extrusion on the module

**Problem:** *Card power LED does not light when power to the module/subrack is applied or power indicator turns on and off*

**Action:** Check power supply to ensure that it is plugged in and turned on. If flashing continues, move module to another chassis or location in the same chassis, if available.

**Problem:** *No Video*

**Action:** 1 - Check the modem locations to ensure that the RGB-T module is connected to the video source (computer, camera, etc) while the receiver module (RGB-R) is connected to the video output device (monitor, etc.)

2 – Check to ensure that the modules are in the proper mode of operation (RGB or DVI) – onboard switch #1 (see section 3.4)

If the problem still persists after reviewing the above items, please contact Meridian technical support (516-285-1000).

## Appendix 1 – Supported Video Resolutions & Refresh Rates

The table below lists the presently-supported video resolutions and refresh rates. Meridian continues to expand the supported variations and will update this list as they become available.

If you have any questions about other resolution/refresh rates, please call our technical service personnel.



Video Resolution	Horizontal Frequency (kHz)	Vertical Frequency (Hz)	Video Resolution	Horizontal Frequency (kHz)	Vertical Frequency (Hz)
640x480	31.47	60	1152x864	53.70	60
640x480	35.16	70	1152x864	63.17	70
640x480	37.86	72	1152x864	64.94	72
640x480	37.50	75	1152x864	67.50	75
640x480	43.27	85	1152x864	77.30	85
640x480	50.90	100	1152x864	91.84	100
640x480	61.80	120	1152x864	110.8	120
640x480	72.92	140	1152x864	131.5	140
640x480	75.00	144	1152x864	135.0	144
640x480	78.30	150	1152x864	141.7	150
640x480	90.6	170			
640x480	108.0	200	1280x720	44.6	60
			1280x720	52.6	70
800x600	37.88	60	1280x720	53.9	72
800x600	43.81	70	1280x720	56.4	75
800x600	48.08	72	1280x720	64.0	85
800x600	46.88	74	1280x720	76.1	100
800x600	53.67	85	1280x720	92.9	120
800x600	63.60	100	1280x720	109.3	140
800x600	77.16	120	1280x720	112.5	144
800x600	90.74	140	1280x720	117.6	150
800x600	94.10	144			
800x600	98.23	150	1280x960	60.0	60
800x600	112.5	170	1280x960	70.0	70
800x600	134.5	200	1280x960	71.9	72
			1280x960	75.0	75
1024x768	48.36	60	1280x960	85.9	85
1024x768	56.48	70	1280x960	101.4	100
1024x768	57.91	72	1280x960	123.1	120
1024x768	60.02	75			
1024x768	68.68	85	1280x1024	64.0	60
1024x768	81.40	100	1280x1024	74.7	70
1024x768	98.9	120	1280x1024	76.9	72
1024x768	116.9	140	1280x1024	80.0	75
1024x768	119.9	144	1280x1024	91.2	85
1024x768	125.8	150	1280x1024	108.0	100
1024x768	143.8	170			
			1600x1200	75.0	60

700 Elmont Rd, Elmont, NY 11003, Tel: 516-285-1000; Fax: 516-285-6300

[www.Meridian-tech.com](http://www.Meridian-tech.com)

## Part Number Variations

The table below indicates the part numbers and product description that are included in this manual.

<b>Transmitter</b>	<b>Receiver</b>	<b>Description</b>
RGB-T-0M	RGB-R-0M	RGBHV & DVI video transmitter/receiver pair, multimode, shelf mount
RGB-T-0R	RGB-R-0R	RGBHV & DVI video transmitter/receiver pair, multimode, rack mount

Note: Shelf mount (“M”) and rack mount (“R”) units can communicate with each other.

## Free Manuals Download Website

<http://myh66.com>

<http://usermanuals.us>

<http://www.somanuals.com>

<http://www.4manuals.cc>

<http://www.manual-lib.com>

<http://www.404manual.com>

<http://www.luxmanual.com>

<http://aubethermostatmanual.com>

Golf course search by state

<http://golfingnear.com>

Email search by domain

<http://emailbydomain.com>

Auto manuals search

<http://auto.somanuals.com>

TV manuals search

<http://tv.somanuals.com>