

JVC[®]
PROFESSIONAL

1/3" CCD COLOR VIDEO CAMERA
TK-C720U

Replacement of TK-C400U
(24V AC/12V DC)

High-resolution, High-sensitivity CCTV
Camera with Digital Signal Processor for
Use in Low Ambient Light



Shown with optional lens

- Integrated Digital Signal Processor for Low-light Applications (1.5 lux)
- 1/3-inch IT CCD with 380,000 Effective Pixels
- 470 Lines of Horizontal Resolution
- Automatic Gain Control (AGC)
- Auto White Balance with Optional Manual Adjustment
- S/N Ratio of 50 dB (AGC Off)
- Back-light Compensation Automatic Electronic Shutter

High-resolution, High-sensitivity Specification for Application in Low-light Environments

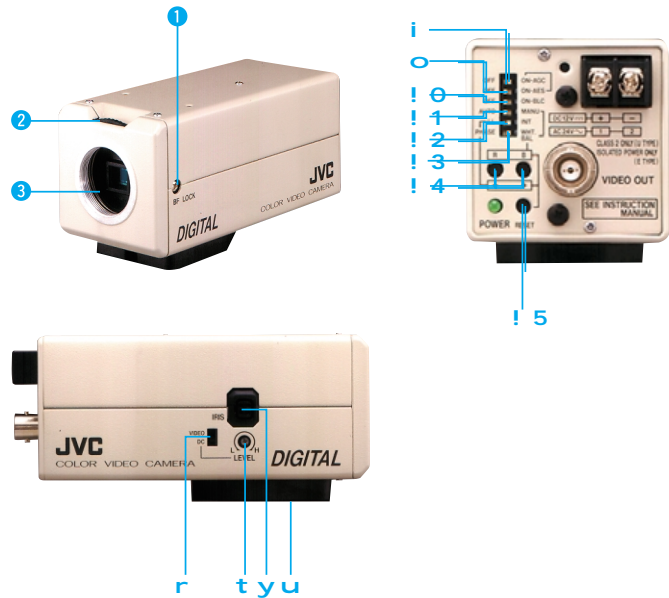
The TK-C720U packs a host of powerful features in a compact unit that's engineered for reliability under the toughest conditions. It delivers crisp color pictures, even when ambient light is low, making it ideal for a wide range of CCTV applications.

- 1/3-Inch CCD with 380,000 Effective Pixels**
 JVC's TK-C720U comes with a 1/3-inch Interline Transfer (IT) CCD for accurate color reproduction and crisp pictures with no image lag or distortion.
- Detail Corrections — Horizontal and Vertical: 2H**
 The TK-C720U provides wide-ranging detail correction — horizontal and vertical, dual-edged with 2H line memory.
- Built-in Digital Signal Processor (DSP)**
 JVC's innovative Digital Signal Processor (DSP) automatically adjusts camera parameters to ensure sharp, natural pictures (470 lines of horizontal resolution) in near total darkness.
- Automatic Gain Control (AGC)**
 For pictures at just 1.5 lux, Automatic Gain Control (AGC) increases the camera's sensitivity as ambient light level falls.
- Auto White-Balance with Manual Adjustment**
 Auto White-Balance is adjusted either automatically or manually over a color temperature range of 2,900 to 8,000K, assuring flexible operation in a wide range of environments.
- S/N Ratio of 50 dB (AGC Off)**
 The TK-C720U features a signal-to-noise ratio of 50 dB for sharp pictures with very precise color reproduction.

Specifications

Signal system	Based on NTSC standard
Pickup device	1/3" Interline-Transfer CCD (with complementary color filter)
Number of effective pixels	380,000 (768 H x 494 V)
Video process circuit	Built-in DSP (9 bits)
Pickup area	4.8 (H) x 3.6 (V) mm
Sync system	Internal, Line Lock (60 Hz regions only)
Scanning system	2:1 interlaced, 525 lines
Scanning frequency	(H) 15.734 kHz (V) 59.94 Hz
Video output	Composite video signal: 1.0 V(p-p), 75 ohms
Video S/N	50 dB (AGC "OFF")
Horizontal resolution	470 TV lines
Minimum required illumination	1.5 lux (f1.2 AGC ON) — Video level 25% 3.0 lux (f1.2 AGC ON) — Video level 50%
Iris control	Video iris/DC iris
White balance	ATW/Manual
BLC	ON and OFF
AES	ON and OFF
Lens mount	C/CS mount (Possible to be attached to the camera with the lens mount change function.)
Power requirement	AC 24 V (60Hz), DC 12 V
Power consumption	4.3 W
Operating temperature range	14°F to 122°F (-10°C to 50°C) Recommended temperature range: 32°F to 104°F (0°C to 40°C)
Weight	0.8 lbs. (360g)

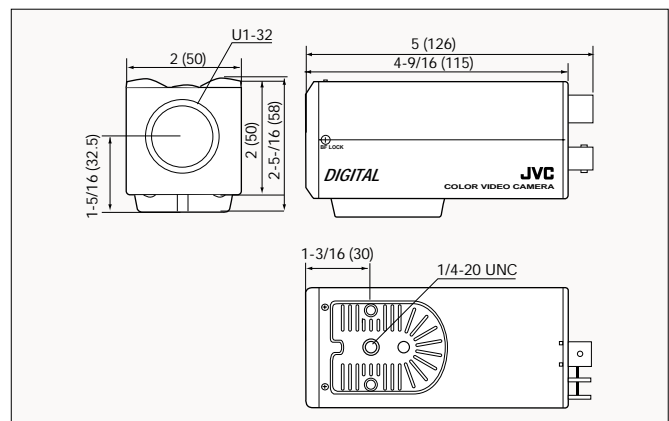
Controls, connectors and indicators



- q BACK FOCUS locking screw
- w BACK FOCUS adjustment and C/CS mount selector ring
- e Lens mount (C or CS)
- r VIDEO/DC IRIS switch
- t LEVEL volume
- y IRIS connector
- u Camera mounting bracket
- i AUTOMATIC GAIN CONTROL switch
- o AUTOMATIC ELECTRONIC SHUTTER switch
- ! BACK LIGHT COMPENSATION switch
- ! WHITE BALANCE select switch
- ! L/INT select switch
- ! PHASE/W.B. select switch
- ! PHASE/W.B. adjustment button
- ! RESET button

Dimensions

Unit: inches (mm)



Design and specifications subject to change without notice.

JVC®

DISTRIBUTED BY

JVC PROFESSIONAL PRODUCTS COMPANY
 DIVISION OF JVC AMERICAS CORP.
 1700 Valley Road, Wayne, N.J. 07470
 TEL: (973) 315-5000, (800) 582-5825
 FAX: (973) 315-5030
 E-mail: proinfo@jvc.com

JVC CANADA INC.
 21 Finchdene Square, Scarborough, Ontario M1X 1A7
 TEL: (416) 293-1311 FAX: (416) 293-8208
 Internet Web Site <http://www.jvcpro.com>



Certificate No. EC96J1049



ISO9001/No. FM26586

■ The Hachioji Plant of Victor Company of Japan, Ltd., has received ISO14001 Certification under the global standard for environmental management.

Free Manuals Download Website

<http://myh66.com>

<http://usermanuals.us>

<http://www.somanuals.com>

<http://www.4manuals.cc>

<http://www.manual-lib.com>

<http://www.404manual.com>

<http://www.luxmanual.com>

<http://aubethermostatmanual.com>

Golf course search by state

<http://golfingnear.com>

Email search by domain

<http://emailbydomain.com>

Auto manuals search

<http://auto.somanuals.com>

TV manuals search

<http://tv.somanuals.com>