



Voice API

Programming Guide

June 2005

05-2377-002



INFORMATION IN THIS DOCUMENT IS PROVIDED IN CONNECTION WITH INTEL® PRODUCTS. NO LICENSE, EXPRESS OR IMPLIED, BY ESTOPPEL OR OTHERWISE, TO ANY INTELLECTUAL PROPERTY RIGHTS IS GRANTED BY THIS DOCUMENT. EXCEPT AS PROVIDED IN INTEL'S TERMS AND CONDITIONS OF SALE FOR SUCH PRODUCTS, INTEL ASSUMES NO LIABILITY WHATSOEVER, AND INTEL DISCLAIMS ANY EXPRESS OR IMPLIED WARRANTY, RELATING TO SALE AND/OR USE OF INTEL PRODUCTS INCLUDING LIABILITY OR WARRANTIES RELATING TO FITNESS FOR A PARTICULAR PURPOSE, MERCHANTABILITY, OR INFRINGEMENT OF ANY PATENT, COPYRIGHT OR OTHER INTELLECTUAL PROPERTY RIGHT. Intel products are not intended for use in medical, life saving, or life sustaining applications.

Intel may make changes to specifications and product descriptions at any time, without notice.

This Voice API Programming Guide as well as the software described in it is furnished under license and may only be used or copied in accordance with the terms of the license. The information in this manual is furnished for informational use only, is subject to change without notice, and should not be construed as a commitment by Intel Corporation. Intel Corporation assumes no responsibility or liability for any errors or inaccuracies that may appear in this document or any software that may be provided in association with this document.

Except as permitted by such license, no part of this document may be reproduced, stored in a retrieval system, or transmitted in any form or by any means without express written consent of Intel Corporation.

Copyright © 2004-2005, Intel Corporation

BunnyPeople, Celeron, Chips, Dialogic, EtherExpress, ETOX, FlashFile, i386, i486, i960, iCOMP, InstantIP, Intel, Intel Centrino, Intel Centrino logo, Intel logo, Intel386, Intel486, Intel740, IntelDX2, IntelDX4, IntelSX2, Intel Inside, Intel Inside logo, Intel NetBurst, Intel NetMerge, Intel NetStructure, Intel SingleDriver, Intel SpeedStep, Intel StrataFlash, Intel Xeon, Intel XScale, IPLink, Itanium, MCS, MMX, MMX logo, Optimizer logo, OverDrive, Paragon, PDCharm, Pentium, Pentium II Xeon, Pentium III Xeon, Performance at Your Command, skool, Sound Mark, The Computer Inside., The Journey Inside, VTune, and Xircom are trademarks or registered trademarks of Intel Corporation or its subsidiaries in the United States and other countries.

* Other names and brands may be claimed as the property of others.

Publication Date: June 2005

Document Number: 05-2377-002

Intel Converged Communications, Inc.
1515 Route 10
Parsippany, NJ 07054

For **Technical Support**, visit the Intel Telecom Support Resources website at:
<http://developer.intel.com/design/telecom/support>

For **Products and Services Information**, visit the Intel Telecom Products website at:
<http://www.intel.com/design/network/products/telecom>

For **Sales Offices** and other contact information, visit the Where to Buy Intel Telecom Products page at:
<http://www.intel.com/buy/networking/telecom.htm>



Contents

	Revision History	11
	About This Publication	13
	Purpose	13
	Applicability	13
	Intended Audience	13
	How to Use This Publication	14
	Related Information	15
1	Product Description	17
1.1	Overview	17
1.2	R4 API	17
1.3	Call Progress Analysis	18
1.4	Tone Generation and Detection Features	18
1.4.1	Global Tone Detection (GTD)	18
1.4.2	Global Tone Generation (GTG)	19
1.4.3	Cadenced Tone Generation	19
1.5	Dial Pulse Detection	19
1.6	Play and Record Features	19
1.6.1	Play and Record Functions	20
1.6.2	Speed and Volume Control	20
1.6.3	Transaction Record	20
1.6.4	Silence Compressed Record	20
1.6.5	Streaming to Board	20
1.6.6	Echo Cancellation Resource	21
1.7	Send and Receive FSK Data	21
1.8	Caller ID	21
1.9	R2/MF Signaling	21
1.10	TDM Bus Routing	22
2	Programming Models	23
2.1	Standard Runtime Library	23
2.2	Asynchronous Programming Models	23
2.3	Synchronous Programming Model	23
3	Device Handling	25
3.1	Device Concepts	25
3.2	Voice Device Names	25
4	Event Handling	27
4.1	Overview of Event Handling	27
4.2	Event Management Functions	27
5	Error Handling	29
6	Application Development Guidelines	31

6.1	General Considerations	31
6.1.1	Busy and Idle States	31
6.1.2	Setting Termination Conditions for I/O Functions	32
6.1.3	Setting Termination Conditions for Digits	34
6.1.4	Clearing Structures Before Use	35
6.1.5	Working with User-Defined I/O Functions	35
6.2	Fixed and Flexible Routing Configurations	35
6.3	Fixed Routing Configuration Restrictions	37
6.4	Additional DM3 Considerations	37
6.4.1	Call Control Through Global Call API Library	38
6.4.2	Multithreading and Multiprocessing	38
6.4.3	DM3 Media Loads	39
6.4.4	Device Discovery for DM3 and Springware	39
6.4.5	Device Initialization Hint	39
6.4.6	TDM Bus Time Slot Considerations	40
6.4.7	Tone Detection Considerations	41
6.5	Using Wink Signaling	41
6.5.1	Setting Delay Prior to Wink	41
6.5.2	Setting Wink Duration	41
6.5.3	Receiving an Inbound Wink	42
7	Call Progress Analysis	43
7.1	Call Progress Analysis Overview	43
7.2	Call Progress and Call Analysis Terminology	44
7.3	Call Progress Analysis Components	44
7.4	Using Call Progress Analysis on DM3 Boards	46
7.4.1	Call Progress Analysis Rules on DM3 Boards	46
7.4.2	Overview of Steps to Initiate Call Progress Analysis	47
7.4.3	Setting Up Call Progress Analysis Parameters in DX_CAP	48
7.4.4	Executing a Dial Function	48
7.4.5	Determining the Outcome of a Call	49
7.4.6	Obtaining Additional Call Outcome Information	50
7.5	Call Progress Analysis Tone Detection on DM3 Boards	51
7.5.1	Tone Detection Overview	51
7.5.2	Types of Tones	51
7.5.3	Ringback Detection	52
7.5.4	Busy Tone Detection	53
7.5.5	Fax or Modem Tone Detection	53
7.5.6	SIT Frequency Detection	53
7.6	Media Tone Detection on DM3 Boards	55
7.6.1	Positive Voice Detection (PVD)	55
7.6.2	Positive Answering Machine Detection (PAMD)	55
7.7	Default Call Progress Analysis Tone Definitions on DM3 Boards	56
7.8	Modifying Default Call Progress Analysis Tone Definitions on DM3 Boards	57
7.8.1	API Functions for Manipulating Tone Definitions	57
7.8.2	TONE_DATA Data Structure	58
7.8.3	Rules for Modifying a Tone Definition on DM3 Boards	59
7.8.4	Rules for Using a Single Tone Proxy for a Dual Tone	59
7.8.5	Steps to Modify a Tone Definition on DM3 Boards	60
7.9	Call Progress Analysis Errors	60

7.10	Using Call Progress Analysis on Springware Boards	60
7.10.1	Overview of Steps to Initiate Call Progress Analysis	61
7.10.2	Setting Up Call Progress Analysis Features in DX_CAP	61
7.10.3	Enabling Call Progress Analysis	62
7.10.4	Executing a Dial Function	62
7.10.5	Determining the Outcome of a Call	63
7.10.6	Obtaining Additional Call Outcome Information	64
7.11	Call Progress Analysis Tone Detection on Springware Boards	65
7.11.1	Tone Detection Overview	66
7.11.2	Types of Tones	66
7.11.3	Dial Tone Detection	67
7.11.4	Ringback Detection	67
7.11.5	Busy Tone Detection	68
7.11.6	Fax or Modem Tone Detection	68
7.11.7	Loop Current Detection	68
7.12	Media Tone Detection on Springware Boards	69
7.12.1	Positive Voice Detection (PVD)	70
7.12.2	Positive Answering Machine Detection (PAMD)	70
7.13	Default Call Progress Analysis Tone Definitions on Springware Boards	71
7.14	Modifying Default Call Progress Analysis Tone Definitions on Springware Boards	71
7.15	SIT Frequency Detection (Springware Only)	72
7.15.1	Tri-Tone SIT Sequences	73
7.15.2	Setting Tri-Tone SIT Frequency Detection Parameters	73
7.15.3	Obtaining Tri-Tone SIT Frequency Information	75
7.15.4	Global Tone Detection Tone Memory Usage	76
7.15.5	Frequency Detection Errors	76
7.15.6	Setting Single Tone Frequency Detection Parameters	77
7.15.7	Obtaining Single Tone Frequency Information	77
7.16	Cadence Detection in Basic Call Progress Analysis (Springware Only)	78
7.16.1	Overview	78
7.16.2	Typical Cadence Patterns	78
7.16.3	Elements of a Cadence	79
7.16.4	Outcomes of Cadence Detection	81
7.16.5	Setting Selected Cadence Detection Parameters	82
7.16.6	Obtaining Cadence Information	86
8	Recording and Playback	87
8.1	Overview of Recording and Playback	87
8.2	Digital Recording and Playback	88
8.3	Play and Record Functions	88
8.4	Play and Record Convenience Functions	88
8.5	Voice Encoding Methods	89
8.6	G.726 Voice Coder	91
8.7	Transaction Record	92
8.8	Silence Compressed Record	93
8.8.1	Overview	93
8.8.2	Enabling	93
8.8.3	Encoding Methods Supported	94
8.9	Recording with the Voice Activity Detector	95
8.9.1	Overview	95

8.9.2	Enabling	96
8.9.3	Encoding Methods Supported	96
8.10	Streaming to Board	97
8.10.1	Streaming to Board Overview	97
8.10.2	Streaming to Board Functions	97
8.10.3	Implementing Streaming to Board	98
8.10.4	Streaming to Board Hints and Tips	98
8.11	Pause and Resume Play	99
8.11.1	Pause and Resume Play Overview	99
8.11.2	Pause and Resume Play Functions	100
8.11.3	Implementing Pause and Resume Play	100
8.11.4	Pause and Resume Play Hints and Tips	100
8.12	Echo Cancellation Resource	101
8.12.1	Overview of Echo Cancellation Resource	101
8.12.2	Echo Cancellation Resource Operation	102
8.12.3	Modes of Operation	104
8.12.4	Echo Cancellation Resource Application Models	105
9	Speed and Volume Control	113
9.1	Speed and Volume Control Overview	113
9.2	Speed and Volume Convenience Functions	113
9.3	Speed and Volume Adjustment Functions	114
9.4	Speed and Volume Modification Tables	114
9.5	Play Adjustment Digits	118
9.6	Setting Play Adjustment Conditions	118
9.7	Explicitly Adjusting Speed and Volume	118
10	Send and Receive FSK Data	121
10.1	Overview of ADSI and Two-Way FSK Support	121
10.2	ADSI Protocol	122
10.3	ADSI Operation	123
10.4	One-Way ADSI	123
10.5	Two-Way ADSI	124
10.5.1	Transmit to On-Hook CPE	124
10.5.2	Two-Way FSK	124
10.6	Fixed-Line Short Message Service (SMS)	125
10.7	ADSI and Two-Way FSK Voice Library Support	125
10.7.1	Library Support on DM3 Boards	126
10.7.2	Library Support on Springware Boards	127
10.8	Developing ADSI Applications	127
10.8.1	Technical Overview of One-Way ADSI Data Transfer	128
10.8.2	Implementing One-Way ADSI Using dx_TxIottData()	128
10.8.3	Technical Overview of Two-Way ADSI Data Transfer	130
10.8.4	Implementing Two-Way ADSI Using dx_TxIottData()	131
10.8.5	Implementing Two-Way ADSI Using dx_TxRxIottData()	132
10.9	Modifying Older One-Way ADSI Applications	133
11	Caller ID	135
11.1	Overview of Caller ID	135
11.2	Caller ID Formats	135
11.3	Accessing Caller ID Information	137

11.4	Enabling Channels to Use the Caller ID Feature	138
11.5	Error Handling	138
11.6	Caller ID Technical Specifications	138
12	Cached Prompt Management	141
12.1	Overview of Cached Prompt Management	141
12.2	Using Cached Prompt Management	141
12.2.1	Discovering Cached Prompt Capability	141
12.2.2	Downloading Cached Prompts to a Board	142
12.2.3	Playing Cached Prompts	142
12.2.4	Recovering from Errors	142
12.2.5	Cached Prompt Management Hints and Tips	143
12.3	Cached Prompt Management Example Code	144
13	Global Tone Detection and Generation, and Cadenced Tone Generation	147
13.1	Global Tone Detection (GTD)	147
13.1.1	Overview of Global Tone Detection	147
13.1.2	Global Tone Detection on DM3 Boards versus Springware Boards	148
13.1.3	Defining Global Tone Detection Tones	148
13.1.4	Building Tone Templates	148
13.1.5	Working with Tone Templates	150
13.1.6	Retrieving Tone Events	151
13.1.7	Setting GTD Tones as Termination Conditions	152
13.1.8	Maximum Amount of Memory for Tone Templates	152
13.1.9	Estimating Memory	152
13.1.10	Guidelines for Creating User-Defined Tones	153
13.1.11	Global Tone Detection Application	155
13.2	Global Tone Generation (GTG)	155
13.2.1	Using GTG	155
13.2.2	GTG Functions	156
13.2.3	Building and Implementing a Tone Generation Template	156
13.3	Cadenced Tone Generation	157
13.3.1	Using Cadenced Tone Generation	157
13.3.2	How To Generate a Custom Cadenced Tone	157
13.3.3	How To Generate a Non-Cadenced Tone	160
13.3.4	TN_GENCAD Data Structure - Cadenced Tone Generation	160
13.3.5	How To Generate a Standard PBX Call Progress Signal	160
13.3.6	Predefined Set of Standard PBX Call Progress Signals	161
13.3.7	Important Considerations for Using Predefined Call Progress Signals	166
14	Global Dial Pulse Detection	169
14.1	Key Features	169
14.2	Global DPD Parameters	170
14.3	Enabling Global DPD	170
14.4	Global DPD Programming Considerations	171
14.5	Retrieving Digits from the Digit Buffer	171
14.6	Retrieving Digits as Events	172
14.7	Dial Pulse Detection Digit Type Reporting	172
14.8	Defines for Digit Type Reporting	172
14.9	Global DPD Programming Procedure	173
14.10	Global DPD Example Code	173

15	R2/MF Signaling	175
15.1	R2/MF Overview	175
15.2	Direct Dialing-In Service	176
15.3	R2/MF Multifrequency Combinations	176
15.4	R2/MF Signal Meanings	177
15.5	R2/MF Compelled Signaling	183
15.6	R2/MF Voice Library Functions	185
15.7	R2/MF Tone Detection Template Memory Requirements	186
16	Syntellect License Automated Attendant	187
16.1	Overview of Automated Attendant Function	187
16.2	Syntellect License Automated Attendant Functions	188
16.3	How to Use the Automated Attendant Function Call	188
17	Building Applications	189
17.1	Voice and SRL Libraries	189
17.2	Compiling and Linking	190
17.2.1	Include Files	190
17.2.2	Required Libraries	190
17.2.3	Run-time Linking	191
17.2.4	Variables for Compiling and Linking	191
	Glossary	193
	Index	201

Figures

1	Cluster Configurations for Fixed and Flexible Routing	36
2	Basic Call Progress Analysis Components	45
3	PerfectCall Call Progress Analysis Components	46
4	Call Outcomes for Call Progress Analysis (DM3)	50
5	Call Outcomes for Call Progress Analysis (Springware)	64
6	A Standard Busy Signal	79
7	A Standard Single Ring	79
8	A Type of Double Ring	79
9	Cadence Detection	80
10	Elements of Established Cadence	80
11	No Ringback Due to Continuous No Signal	83
12	No Ringback Due to Continuous Nonsilence	83
13	Cadence Detection Salutation Processing	85
14	Silence Compressed Record Parameters Illustrated	94
15	Echo Canceller with Relevant Input and Output Signals	102
16	Echo Canceller Operating over a TDM bus	103
17	ECR Bridge Example Diagram	106
18	An ECR Play Over the TDM bus	110
19	Example of Custom Cadenced Tone Generation	159
20	Standard PBX Call Progress Signals (Part 1)	163
21	Standard PBX Call Progress Signals (Part 2)	164
22	Forward and Backward Interregister Signals	175
23	Multiple Meanings for R2/MF Signals	178
24	R2/MF Compelled Signaling Cycle	184
25	Example of R2/MF Signals for 4-digit DDI Application	185
26	Voice and SRL Libraries	189

Tables

1	Voice Device Inputs for Event Management Functions	28
2	Voice Device Returns from Event Management Functions	28
3	API Function Restrictions in a Fixed Routing Configuration	37
4	Call Progress Analysis Support with dx_dial()	47
5	Special Information Tone Sequences (DM3)	54
6	Default Call Progress Analysis Tone Definitions (DM3)	57
7	Default Call Progress Analysis Tone Definitions (Springware)	71
8	Special Information Tone Sequences (Springware)	73
9	Voice Encoding Methods (DM3)	90
10	Voice Encoding Methods (Springware)	91
11	Default Speed Modification Table	116
12	Default Volume Modification Table	117
13	Supported CLASS Caller ID Information	136
14	Standard Bell System Network Call Progress Tones	150
15	Asynchronous/Synchronous Tone Event Handling	151
16	Maximum Memory Available for User-Defined Tone Templates (Springware)	152
17	Maximum Memory Available for Tone Templates for Tone-Creating Voice Features (Springware)	152
18	Maximum Tone Templates for Dual Tones (Springware)	154
19	Standard PBX Call Progress Signals	162
20	TN_GENCAD Definitions for Standard PBX Call Progress Signals	165
21	Forward Signals, CCITT Signaling System R2/MF tones	176
22	Backward Signals, CCITT Signaling System R2/MF tones	177
23	Purpose of Signal Groups and Changeover in Meaning	178
24	Meanings for R2/MF Group I Forward Signals	180
25	Meanings for R2/MF Group II Forward Signals	181
26	Meanings for R2/MF Group A Backward Signals	182
27	Meanings for R2/MF Group B Backward Signals	183



Revision History

This revision history summarizes the changes made in each published version of this document.

Document No.	Publication Date	Description of Revisions
05-2377-002	June 2005	<p>Application Development Guidelines chapter: Added bullet about digits not always being cleared by <code>dx_clrdigbuf()</code> in Tone Detection Considerations section [PTR 33806].</p> <p>Call Progress Analysis chapter: Added eight new SIT sequences that can be returned by <code>ATDX_CRTNID()</code> for DM3 boards in Types of Tones section. Revised values of <code>TID_SIT_NC</code> (Freq of first segment changed from 950/1001 to 950/1020) and <code>TID_SIT_VC</code> (Freq of first segment changed from 950/1001 to 950/1020) in table of Special Information Tone Sequences (DM3); also added four new SIT sequences to this table. Added note about SRL device mapper functions in Steps to Modify a Tone Definition on DM3 Boards section.</p> <p>Recording and Playback chapter: Added Recording with the Voice Activity Detector section that describes new modes for <code>dx_reciottdata()</code>.</p> <p>Send and Receive FSK Data chapter: Updated Fixed-Line Short Message Service (SMS) section to indicate that fixed-line short message service (SMS) is supported on Springware boards. Updated Library Support on Springware Boards section to indicate that Springware boards in Linux support ADSI two-way FSK and SMS.</p> <p>Cached Prompt Management chapter: Added sentence to second paragraph about flushing cached prompts in Overview of Cached Prompt Management section. Added second paragraph about flushing cached prompts in Cached Prompt Management Hints and Tips section.</p>
05-2377-001	November 2004	<p>Initial version of document. Much of the information contained in this document was previously published in the <i>Voice API for Linux Operating System Programming Guide</i> (document number 05-1829-001) and the <i>Voice API for Windows Operating Systems Programming Guide</i> (document number 05-1831-002).</p> <p>This document now supports both Linux and Windows operating systems. When information is specific to an operating system, it is noted.</p>





About This Publication

The following topics provide information about this publication:

- [Purpose](#)
- [Applicability](#)
- [Intended Audience](#)
- [How to Use This Publication](#)
- [Related Information](#)

Purpose

This publication provides guidelines for building computer telephony applications on Windows* and Linux* operating systems using the Intel® voice API. Such applications include, but are not limited to, call routing, voice messaging, interactive voice response, and call center applications.

This publication is a companion guide to the *Voice API Library Reference*, which provides details on the functions and parameters in the voice library.

Applicability

This document version (05-2377-002) is published for Intel® Dialogic® System Release 6.1 for Linux operating system.

This document may also be applicable to later Intel Dialogic system releases, including service updates, on Linux or Windows. Check the Release Guide for your software release to determine whether this document is supported.

This document is applicable to Intel Dialogic system releases only. It is **not** applicable to Intel NetStructure® Host Media Processing (HMP) software releases. A separate set of voice API documentation specific to HMP is provided. Check the Release Guide for your software release to determine what documents are provided with the release.

Intended Audience

This information is intended for:

- Distributors
- System Integrators
- Toolkit Developers

- Independent Software Vendors (ISVs)
- Value Added Resellers (VARs)
- Original Equipment Manufacturers (OEMs)

How to Use This Publication

This document assumes that you are familiar with and have prior experience with Windows or Linux operating systems and the C programming language. Use this document together with the following: the *Voice API Library Reference*, the *Standard Runtime Library API Programming Guide*, and the *Standard Runtime Library API Library Reference*.

The information in this guide is organized as follows:

- [Chapter 1, “Product Description”](#) introduces the key features of the voice library and provides a brief description of each feature.
- [Chapter 2, “Programming Models”](#) provides a brief overview of supported programming models.
- [Chapter 3, “Device Handling”](#) discusses topics related to devices such as device naming concepts, how to open and close devices, and how to discover whether a device is Springware or DM3.
- [Chapter 4, “Event Handling”](#) provides information on functions used to handle events.
- [Chapter 5, “Error Handling”](#) provides information on handling errors in your application.
- [Chapter 6, “Application Development Guidelines”](#) provides programming guidelines and techniques for developing an application using the voice library. This chapter also discusses fixed and flexible routing configurations.
- [Chapter 7, “Call Progress Analysis”](#) describes the components of call progress analysis in detail. This chapter also covers differences between Basic Call Progress Analysis and PerfectCall Call Progress Analysis.
- [Chapter 8, “Recording and Playback”](#) discusses playback and recording features, such as encoding algorithms, play and record API functions, transaction record, and silence compressed record.
- [Chapter 9, “Speed and Volume Control”](#) explains how to control speed and volume of playback recordings through API functions and data structures.
- [Chapter 10, “Send and Receive FSK Data”](#) describes the two-way frequency shift keying (FSK) feature, the Analog Display Services Interface (ADSI), and API functions for use with this feature.
- [Chapter 11, “Caller ID”](#) describes the caller ID feature, supported formats, and how to enable it.
- [Chapter 12, “Cached Prompt Management”](#) provides information on cached prompts and how to use cached prompt management in your application.
- [Chapter 13, “Global Tone Detection and Generation, and Cadenced Tone Generation”](#) describes these tone detection and generation features in detail.
- [Chapter 14, “Global Dial Pulse Detection”](#) discusses the Global DPD feature, the API functions for use with this feature, programming guidelines, and example code.

- [Chapter 15, “R2/MF Signaling”](#) describes the R2/MF signaling protocol, the API functions for use with this feature, and programming guidelines.
- [Chapter 16, “Syntellect License Automated Attendant”](#) describes Intel hardware and software that include a license for the Syntellect Technology Corporation (STC) patent portfolio.
- [Chapter 17, “Building Applications”](#) discusses compiling and linking requirements such as include files and library files.

Related Information

See the following for more information:

- For details on all voice functions, parameters and data structures in the voice library, see the *Voice API Library Reference*.
- For details on the Standard Runtime Library (SRL), supported programming models, and programming guidelines for building all applications, see the *Standard Runtime Library API Programming Guide*. The SRL is a device-independent library that consists of event management functions and standard attribute functions.
- For details on all functions and data structures in the Standard Runtime Library (SRL) library, see the *Standard Runtime Library API Library Reference*.
- For information on the system release, system requirements, software and hardware features, supported hardware, and release documentation, see the Release Guide for the system release you are using.
- For details on compatibility issues, restrictions and limitations, known problems, and late-breaking updates or corrections to the release documentation, see the Release Update. Be sure to check the Release Update for the system release you are using for any updates or corrections to this publication. Release Updates are available on the Telecom Support Resources website at <http://resource.intel.com/telecom/support/releases/>.
- For details on installing the system software, see the *System Release Installation Guide*.
- For guidelines on building applications using Global Call software (a common signaling interface for network-enabled applications, regardless of the signaling protocol needed to connect to the local telephone network), see the *Global Call API Programming Guide*.
- For details on all functions and data structures in the Global Call library, see the *Global Call API Library Reference*.
- For details on configuration files (including FCD/PCD files) and instructions for configuring products, see the Configuration Guide for your product or product family.



This chapter provides information on key voice library features and capability. The following topics are covered:

- Overview 17
- R4 API 17
- Call Progress Analysis 18
- Tone Generation and Detection Features 18
- Dial Pulse Detection 19
- Play and Record Features 19
- Send and Receive FSK Data 21
- Caller ID 21
- R2/MF Signaling 21
- TDM Bus Routing 22

1.1 Overview

The voice software provides a high-level interface to Intel telecom media processing boards and is a building block for creating computer telephony applications. It offers a comprehensive set of features such as dual-tone multifrequency (DTMF) detection, tone signaling, call progress analysis, playing and recording that supports a number of encoding methods, and much more.

The voice software consists of a C language library of functions, device drivers, and firmware.

The voice library is well integrated with other technology libraries provided by Intel such as fax, conferencing, and continuous speech processing. This architecture enables you to add new capability to your voice application over time.

For a list of voice features by product, see the Release Guide for your system release.

1.2 R4 API

The term R4 API (“System Software Release 4 Application Programming Interface”) describes the direct interface used for creating computer telephony application programs. The R4 API is a rich set of proprietary APIs for building computer telephony applications on Intel telecom products. These APIs encompass technologies that include voice, conferencing, fax, and speech. This document describes the voice API.

In addition to original Springware products (also known as earlier-generation products), the R4 API supports a new generation of hardware products that are based on the DM3 mediastream architecture. Feature differences between these two categories of products are noted.

DM3 boards is a collective name used in this document to refer to products that are based on the DM3 mediastream architecture. DM3 board names typically are prefaced with “DM,” such as the Intel NetStructure® DM/V2400A. Springware boards refer to boards based on earlier-generation architecture. Springware boards typically are prefaced with “D,” such as the Intel® Dialogic® D/240JCT-T1.

In this document, the term voice API is used to refer to the R4 voice API.

1.3 Call Progress Analysis

Call progress analysis monitors the progress of an outbound call after it is dialed into the Public Switched Telephone Network (PSTN).

There are two forms of call progress analysis: basic and PerfectCall. PerfectCall call progress analysis uses an improved method of signal identification and can detect fax machines and answering machines. Basic call progress analysis provides backward compatibility for older applications written before PerfectCall call progress analysis became available.

Note: PerfectCall call progress analysis was formerly called enhanced call analysis.

See [Chapter 7, “Call Progress Analysis”](#) for detailed information about this feature.

1.4 Tone Generation and Detection Features

In addition to DTMF and MF tone detection and generation, the following signaling features are provided by the voice library:

- [Global Tone Detection \(GTD\)](#)
- [Global Tone Generation \(GTG\)](#)
- [Cadenced Tone Generation](#)

1.4.1 Global Tone Detection (GTD)

Global tone detection allows you to define single- or dual-frequency tones for detection on a channel-by-channel basis. Global tone detection and GTD tones are also known as **user-defined tone detection** and **user-defined tones**.

Use global tone detection to detect single- or dual-frequency tones outside the standard DTMF range of 0-9, a-d, *, and #. The characteristics of a tone can be defined and tone detection can be enabled using GTD functions and data structures provided in the voice library.

See [Chapter 13, “Global Tone Detection and Generation, and Cadenced Tone Generation”](#) for detailed information about global tone detection.

1.4.2 Global Tone Generation (GTG)

Global tone generation allows you to define a single- or dual-frequency tone in a tone generation template and to play the tone on a specified channel.

See [Chapter 13, “Global Tone Detection and Generation, and Cadenced Tone Generation”](#) for detailed information about global tone generation.

1.4.3 Cadenced Tone Generation

Cadenced tone generation is an enhancement to global tone generation. It allows you to generate a tone with up to 4 single- or dual-tone elements, each with its own on/off duration, which creates the signal pattern or cadence. You can define your own custom cadenced tone or take advantage of the built-in set of standard PBX call progress signals, such as dial tone, ringback, and busy.

See [Chapter 13, “Global Tone Detection and Generation, and Cadenced Tone Generation”](#) for detailed information about cadenced tone generation.

1.5 Dial Pulse Detection

Dial pulse detection (DPD) allows applications to detect dial pulses from rotary or pulse phones by detecting the audible clicks produced when a number is dialed, and to use these clicks as if they were DTMF digits. Global dial pulse detection, called global DPD, is a software-based dial pulse detection method that can use country-customized parameters for extremely accurate performance.

See [Chapter 14, “Global Dial Pulse Detection”](#) for more information about this feature.

1.6 Play and Record Features

The following play and record features are provided by the voice library:

- [Play and Record Functions](#)
- [Speed and Volume Control](#)
- [Transaction Record](#)
- [Silence Compressed Record](#)
- [Streaming to Board](#)
- [Echo Cancellation Resource](#)

1.6.1 Play and Record Functions

The voice library includes several functions and data structures for recording and playing audio data. These allow you to digitize and store human voice; then retrieve, convert, and play this digital information. In addition, you can pause a play currently in progress and resume that same play.

For more information about play and record features, see [Chapter 8, “Recording and Playback”](#). This chapter also includes information about voice encoding methods supported; see [Section 8.5, “Voice Encoding Methods”](#), on page 89. For detailed information about play and record functions, see the *Voice API Library Reference*.

1.6.2 Speed and Volume Control

The speed and volume control feature allows you to control the speed and volume of a message being played on a channel, for example, by entering a DTMF tone.

See [Chapter 9, “Speed and Volume Control”](#) for more information about this feature.

1.6.3 Transaction Record

The transaction record feature allows voice activity on two channels to be summed and stored in a single file, or in a combination of files, devices, and memory. This feature is useful in call center applications where it is necessary to archive a verbal transaction or record a live conversation.

See [Chapter 8, “Recording and Playback”](#) for more information on the transaction record feature.

1.6.4 Silence Compressed Record

The silence compressed record (SCR) feature enables recording with silent pauses eliminated. This results in smaller recorded files with no loss of intelligibility.

When the audio level is at or falls below the silence threshold for a minimum duration of time, silence compressed record begins. If a short burst of noise (glitch) is detected, the compression does not end unless the glitch is longer than a specified period of time.

See [Chapter 8, “Recording and Playback”](#) for more information.

1.6.5 Streaming to Board

The streaming to board feature allows you to stream data to a network interface in real time. Unlike the standard voice play feature (store and forward), data can be streamed in real time with little delay as the amount of initial data required to start the stream is configurable. The streaming to board feature is essential for applications such as text-to-speech, distributed prompt servers, and IP gateways.

For more information about this feature, see [Chapter 8, “Recording and Playback”](#).

1.6.6 Echo Cancellation Resource

The echo cancellation resource (ECR) feature enables a voice channel to dynamically perform echo cancellation on any external TDM bus time slot signal.

Note: The ECR feature has been replaced with continuous speech processing (CSP). Although the CSP API is related to the voice API, it is provided as a separate product. The continuous speech processing software is a significant enhancement to ECR. The continuous speech processing library provides many features such as high-performance echo cancellation, voice energy detection, barge-in, voice event signaling, pre-speech buffering, full-duplex operation and more. For more information on this API, see the Continuous Speech Processing documentation.

See [Chapter 8, “Recording and Playback”](#) for more information about the ECR feature.

1.7 Send and Receive FSK Data

The send and receive frequency shift keying (FSK) data interface is used for Analog Display Services Interface (ADSI) and fixed-line short message service, also called small message service, or SMS. Frequency shift keying is a frequency modulation technique to send digital data over voiced band telephone lines. ADSI allows information to be transmitted for display on a display-based telephone connected to an analog loop start line, and to store and forward SMS messages in the Public Switched Telephone Network (PSTN). The telephone must be a true ADSI-compliant or fixed line SMS-compliant device.

See [Chapter 10, “Send and Receive FSK Data”](#) for more information on ADSI, FSK, and SMS.

1.8 Caller ID

An application can enable the caller ID feature on specific channels to process caller ID information as it is received with an incoming call. Caller ID information can include the calling party's directory number (DN), the date and time of the call, and the calling party's subscriber name.

See [Chapter 11, “Caller ID”](#) for more information about this feature.

1.9 R2/MF Signaling

R2/MF signaling is an international signaling system that is used in Europe and Asia to permit the transmission of numerical and other information relating to the called and calling subscribers' lines.

R2/MF signaling is typically accomplished through the Global Call API. For more information, see the Global Call documentation set. [Chapter 15, “R2/MF Signaling”](#) is provided for reference only.

1.10 TDM Bus Routing

A time division multiplexing (TDM) bus is a technique for transmitting a number of separate digitized signals simultaneously over a communication medium. TDM bus includes the CT Bus and SCbus.

The CT Bus is an implementation of the computer telephony bus standard developed by the Enterprise Computer Telephony Forum (ECTF) and accepted industry-wide. The H.100 hardware specification covers CT Bus implementation using the PCI form factor. The H.110 hardware specification covers CT Bus implementation using the CompactPCI (cPCI) form factor. The CT Bus has 4096 bi-directional time slots.

The SCbus or signal computing bus connects Signal Computing System Architecture (SCSA) resources. The SCbus has 1024 bi-directional time slots.

A TDM bus connects voice, telephone network interface, fax, and other technology resource boards together. TDM bus boards are treated as board devices with on-board voice and/or telephone network interface devices that are identified by a board and channel (time slot for digital network channels) designation, such as a voice channel, analog channel, or digital channel.

For information on TDM bus routing functions, see the *Voice API Library Reference*.

Note: When you see a reference to the SCbus or SCbus routing, the information also applies to the CT Bus on DM3 products. That is, the physical interboard connection can be either SCbus or CT Bus. The SCbus protocol is used and the TDM routing API (previously called the SCbus routing API) applies to all the boards regardless of whether they use an SCbus or CT Bus physical interboard connection.

This chapter briefly discusses the Standard Runtime Library and supported programming models:

- [Standard Runtime Library](#) 23
- [Asynchronous Programming Models](#) 23
- [Synchronous Programming Model](#) 23

2.1 Standard Runtime Library

The Standard Runtime Library (SRL) provides a set of common system functions that are device independent and are applicable to all Intel® telecom devices. The SRL consists of a data structure, event management functions, device management functions (called standard attribute functions), and device mapper functions. You can use the SRL to simplify application development, such as by writing common event handlers to be used by all devices.

When developing voice processing applications, refer to the Standard Runtime Library documentation in tandem with the voice library documentation. For more information on the Standard Runtime Library, see the *Standard Runtime Library API Library Reference* and *Standard Runtime Library API Programming Guide*.

2.2 Asynchronous Programming Models

Asynchronous programming enables a single program to control multiple voice channels within a single process. This allows the development of complex applications where multiple tasks must be coordinated simultaneously.

The asynchronous programming model uses functions that do not block thread execution; that is, the function continues processing under the hood. A Standard Runtime Library (SRL) event later indicates function completion.

Generally, if you are building applications that use any significant density, you should use the asynchronous programming model to develop field solutions.

For complete information on asynchronous programming models, see the *Standard Runtime Library API Programming Guide*.

2.3 Synchronous Programming Model

The synchronous programming model uses functions that block application execution until the function completes. This model requires that each channel be controlled from a separate process. This allows you to assign distinct applications to different channels dynamically in real time.

Synchronous programming models allow you to scale an application by simply instantiating more threads or processes (one per channel). This programming model may be easy to encode and manage but it relies on the system to manage scalability. Applying the synchronous programming model can consume large amounts of system overhead, which reduces the achievable densities and negatively impacts timely servicing of both hardware and software interrupts. Using this model, a developer can only solve system performance issues by adding memory or increasing CPU speed or both. The synchronous programming models may be useful for testing or very low-density solutions.

For complete information on synchronous programming models, see the *Standard Runtime Library API Programming Guide*.

This chapter describes the concept of a voice device and how voice devices are named and used.

- Device Concepts 25
- Voice Device Names 25

3.1 Device Concepts

The following concepts are key to understanding devices and device handling:

device

A device is a computer component controlled through a software device driver. A resource board, such as a voice resource, fax resource, and conferencing resource, and network interface board, contains one or more logical board devices. Each channel or time slot on the board is also considered a device.

device channel

A device channel refers to a data path that processes one incoming or outgoing call at a time (equivalent to the terminal equipment terminating a phone line). The first two numbers in the product naming scheme identify the number of device channels for a given product. For example, there are 24 voice device channels on a D/240JCT-T1 board, 30 on a D/300JCT-E1.

device name

A device name is a literal reference to a device, used to gain access to the device via an `xx_open()` function, where “xx” is the prefix defining the device to be opened. For example, “dx” is the prefix for voice device and “fx” for fax device.

device handle

A device handle is a numerical reference to a device, obtained when a device is opened using `xx_open()`, where “xx” is the prefix defining the device to be opened. The device handle is used for all operations on that device.

physical and virtual boards

The API functions distinguish between physical boards and virtual boards. The device driver views a single physical voice board with more than four channels as multiple emulated D/4x boards. These emulated boards are called virtual boards. For example, a D/120JCT-LS with 12 channels of voice processing contains three virtual boards. A DM/V480A-2T1 board with 48 channels of voice processing and two T1 trunk lines contains 12 virtual voice boards and two virtual network interface boards.

3.2 Voice Device Names

The software assigns a device name to each device or each component on a board. A voice device is named **dxnBn**, where **n** is the device number assigned in sequential order down the list of sorted voice boards. A device corresponds to a grouping of two or four voice channels.

For example, a D/240JCT-T1 board employs 24 voice channels; the software therefore divides the D/240JCT into six voice board devices, each device consisting of four channels. Examples of board device names for voice boards are `dxxxB1` and `dxxxB2`.

A device name can be appended with a channel or component identifier. A voice channel device is named `dxxxBnCy`, where `y` corresponds to one of the voice channels. Examples of channel device names for voice boards are `dxxxB1C1` and `dxxxB1C2`.

A physical board device handle is a numerical reference to a physical board. A physical board device handle is a concept introduced in System Release 6.0. Previously there was no way to identify a physical board but only the virtual boards that make up the physical board. Having a physical board device handle enables API functions to act on all devices on the physical board. The physical board device handle is named `brdBn`, where `n` is the device number. As an example, the physical board device handle is used in cached prompt management.

Use the Standard Runtime Library device mapper functions to retrieve information on all devices in a system, including a list of physical boards, virtual boards on a physical board, and subdevices on a virtual board.

For complete information on device handling, see the *Standard Runtime Library API Programming Guide*.

This chapter provides information on functions used to retrieve and handle events. Topics include:

- Overview of Event Handling 27
- Event Management Functions 27

4.1 Overview of Event Handling

An event indicates that a specific activity has occurred on a channel. The voice driver reports channel activity to the application program in the form of events, which allows the program to identify and respond to a specific occurrence on a channel. Events provide feedback on the progress and completion of functions and indicate the occurrence of other channel activities. Voice library events are defined in the *dxlib.h* header file.

For a list of events that may be returned by the voice software, see the *Voice API Library Reference*.

4.2 Event Management Functions

Event management functions are used to retrieve and handle events being sent to the application from the firmware. These functions are contained in the Standard Runtime Library (SRL) and defined in *srllib.h*. The SRL provides a set of common system functions that are device independent and are applicable to all Intel® telecom devices. For more information on event management and event handling, see the *Standard Runtime Library API Programming Guide*.

Event management functions include:

- `sr_enbhdr()`
- `sr_dishdr()`
- `sr_getevtdev()`
- `sr_getevttype()`
- `sr_getevtlen()`
- `sr_getevtdatap()`

For details on SRL functions, see the *Standard Runtime Library API Library Reference*.

The event management functions retrieve and handle voice device termination events for functions that run in asynchronous mode, such as `dx_dial()` and `dx_play()`. For complete function reference information, see the *Voice API Library Reference*.

Each of the event management functions applicable to the voice boards are listed in the following tables. Table 1 lists values that are required by event management functions. Table 2 list values that are returned for event management functions that are used with voice devices.

Table 1. Voice Device Inputs for Event Management Functions

Event Management Function	Voice Device Input	Valid Value	Related Voice Functions
sr_enbhdr() Enable event handler	evt_type	TDX_PLAY	dx_play()
		TDX_PLAYTONE	dx_playtone()
		TDX_RECORD	dx_rec()
		TDX_GETDIG	dx_getdig()
		TDX_DIAL	dx_dial()
		TDX_CALLP	dx_dial()
		TDX_SETHOOK	dx_sethook()
		TDX_WINK	dx_wink()
		TDX_ERROR	All asynchronous functions
sr_dishdr() Disable event handler	evt_type	As above	As above

Table 2. Voice Device Returns from Event Management Functions

Event Management Function	Return Description	Returned Value	Related Voice Functions
sr_getevtdev() Get device handle	device	voice device handle	
sr_getevttype() Get event type	event type	TDX_PLAY	dx_play()
		TDX_PLAYTONE	dx_playtone()
		TDX_RECORD	dx_rec()
		TDX_GETDIG	dx_getdig()
		TDX_DIAL	dx_dial()
		TDX_CALLP	dx_dial()
		TDX_CST	dx_setevtmsk()
		TDX_SETHOOK	dx_sethook()
		TDX_WINK	dx_wink()
	TDX_ERROR	All asynchronous functions	
sr_getevtlen() Get event data length	event length	sizeof (DX_CST)	
sr_getevtdatap() Get pointer to event data	event data	pointer to DX_CST structure	

This chapter discusses how to handle errors that can occur when running an application.

All voice library functions return a value to indicate success or failure of the function. A return value of zero or a non-negative number indicates success. A return value of -1 indicates failure.

If a voice library function fails, call the standard attribute functions **ATDV_LASTERR()** and **ATDV_ERRMSGP()** to determine the reason for failure. For more information on these functions, see the *Standard Runtime Library API Library Reference*.

If an extended attribute function fails, two types of errors can be generated. An extended attribute function that returns a pointer will produce a pointer to the ASCIIZ string “Unknown device” if it fails. An extended attribute function that does not return a pointer will produce a value of **AT_FAILURE** if it fails. Extended attribute functions for the voice library are prefaced with “ATDX_”.

- Notes:**
1. The **dx_open()** and **dx_close()** functions are exceptions to the above error handling rules. On Linux, if these functions fail, the return code is -1, and the specific error is found in the **errno** variable contained in *errno.h*. On Windows, if these functions fail, the return code is -1. Use **dx_fileerrno()** to obtain the system error value.
 2. If **ATDV_LASTERR()** returns the **EDX_SYSTEM** error code, an operating system error has occurred. On Linux, check the global variable **errno** contained in *errno.h*. On Windows, use **dx_fileerrno()** to obtain the system error value.

For a list of errors that can be returned by a voice library function, see the *Voice API Library Reference*. You can also look up the error codes in the *dxxlib.h* file.



This chapter provides programming guidelines and techniques for developing an application using the voice library. The following topics are discussed:

- General Considerations 31
- Fixed and Flexible Routing Configurations. 35
- Fixed Routing Configuration Restrictions. 37
- Additional DM3 Considerations 37
- Using Wink Signaling 41

6.1 General Considerations

The following considerations apply to all applications written using the voice API:

- Busy and Idle States
- Setting Termination Conditions for I/O Functions
- Setting Termination Conditions for Digits
- Clearing Structures Before Use
- Working with User-Defined I/O Functions

See feature chapters for programming guidelines specific to a feature, such as call progress analysis, recording and playback, and so on.

6.1.1 Busy and Idle States

The operation of some library functions are dependent on the state of the device when the function call is made. A device is in an idle state when it is not being used, and in a busy state when it is dialing, stopped, being configured, or being used for other I/O functions. Idle represents a single state; busy represents the set of states that a device may be in when it is not idle. State-dependent functions do not make a distinction between the individual states represented by the term busy. They only distinguish between idle and busy states.

For more information on categories of functions and their description, see the *Voice API Library Reference*.

6.1.2 Setting Termination Conditions for I/O Functions

When an I/O function is issued, you must pass a set of termination conditions as one of the function parameters. Termination conditions are events monitored during the I/O process that will cause an I/O function to terminate. When the termination condition is met, a termination reason is returned by **ATDX_TERMMSK()**. If the I/O function is running in synchronous mode, the **ATDX_TERMMSK()** function returns a termination reason after the I/O function has completed. If the I/O function is running in asynchronous mode, the **ATDX_TERMMSK()** function returns a termination reason after the function termination event has arrived. I/O functions can terminate under several conditions as described later in this section.

You can predict events that will occur during I/O (such as a digit being received or the call being disconnected) and set termination conditions accordingly. The flow of control in a voice application is based on the termination condition. Setting these conditions properly allows you to build voice applications that can anticipate a caller's actions.

To set the termination conditions, values are placed in fields of a DV_TPT structure. If you set more than one termination condition, the first one that occurs will terminate the I/O function. The DV_TPT structures can be configured as a linked list or array, with each DV_TPT specifying a single terminating condition. For more information on the DV_TPT structure, which is defined in *srlib.h*, see the *Voice API Library Reference*.

The termination conditions are described in the following paragraphs.

byte transfer count

This termination condition applies when playing or recording a file with **dx_play()** or **dx_rec()**. The maximum number of bytes is set in the DX_IOTT structure. This condition will cause termination if the maximum number of bytes is used before one of the termination conditions specified in the DV_TPT occurs. For information about setting the number of bytes in the DX_IOTT, see the *Voice API Library Reference*.

dx_stopch() occurred

The **dx_stopch()** function will terminate any I/O function, except **dx_dial()** (with call progress analysis disabled) or **dx_wink()**, and stop the device. See the **dx_stopch()** function description for more detailed information about this function.

end of file reached

This termination condition applies when playing a file. This condition will cause termination if -1 has been specified in the io_length field of the DX_IOTT, and no other termination condition has occurred before the end of the file is reached. For information about setting the DX_IOTT, see the *Voice API Library Reference*. When this termination condition is met, a TM_EOD termination reason is returned from **ATDX_TERMMSK()**.

loop current drop (DX_LCOFF)

This termination condition is not supported on DM3 boards using the voice library; however support is available via call control API. For more information, see the *Global Call Analog Technology User's Guide*.

In some central offices, switches, and PBXs, a drop in loop current indicates disconnect supervision. An I/O function can terminate if the loop current drops for a specified amount of time. The amount of time is specified in the tp_length field of a DV_TPT structure. The amount of time can be specified in 100 msec units (default) or 10 msec units. 10 msec can be

specified in the `tp_flags` field of the `DV_TPT`. When this termination condition is met, a `TM_LCOFF` termination reason is returned from `ATDX_TERMMSK()`.

maximum delay between digits (`DX_IDDTIME`)

This termination condition monitors the length of time between the digits being received. A specific length of time can be placed in the `tp_length` field of a `DV_TPT`. If the time between receiving digits is more than this period of time, the function terminates. The amount of time can be specified in 100 msec units (default) or 10 msec units. 10 msec units can be specified in the `tp_flags` field of the `DV_TPT`. When this termination condition is met, a `TM_IDDTIME` termination reason is returned from `ATDX_TERMMSK()`.

On DM3 boards, this termination condition is only supported by the `dx_getdig()` function.

maximum digits received (`DX_MAXDTMF`)

This termination condition counts the number of digits in the channel's digit buffer. If the buffer is not empty before the I/O function is called, the digits that are present in the buffer when the function is initiated are counted as well. The maximum number of digits to receive is set by placing a number from 1 to 31 in the `tp_length` field of a `DV_TPT`. This value specifies the number of digits allowed in the buffer before termination. When this termination condition is met, a `TM_MAXDTMF` termination reason is returned from `ATDX_TERMMSK()`.

maximum length of non-silence (`DX_MAXNOSIL`)

This termination condition is not supported on DM3 boards.

Non-silence is the absence of silence: noise or meaningful sound, such as a person speaking. This condition is enabled by setting the `tp_length` field of a `DV_TPT` to a specific period of time. When non-silence is detected for this length of time, the I/O function will terminate. This termination condition is frequently used to detect dial tone, or the howler tone that is used by central offices to indicate that a phone has been off-hook for an extended period of time. The amount of time can be specified in 100 msec units (default) or 10 msec units. 10 msec units can be specified in the `tp_flags` field of the `DV_TPT`. When this termination condition is met, a `TM_MAXNOSIL` termination reason is returned from `ATDX_TERMMSK()`.

maximum length of silence (`DX_MAXSIL`)

This termination condition is enabled by setting the `tp_length` field of a `DV_TPT`. The specified value is the length of time that continuous silence will be detected before it terminates the I/O function. The amount of time can be specified in 100 msec units (default) or 10 msec units. 10 msec units can be specified in the `tp_flags` field of the `DV_TPT`. When this termination condition is met, a `TM_MAXSIL` termination reason is returned from `ATDX_TERMMSK()`.

pattern of silence and non-silence (`DX_PMON` and `DX_PMOFF`)

This termination condition is not supported on DM3 boards.

A known pattern of silence and non-silence can terminate a function. A pattern can be specified by using `DX_PMON` and `DX_PMOFF` in the `tp_termno` field in two separate `DV_TPT` structures, where one represents a period of silence and one represents a period of non-silence. When this termination condition is met, a `TM_PATTERN` termination reason is returned from `ATDX_TERMMSK()`.

`DX_PMOFF` and `DX_PMON` termination conditions must be used together. The `DX_PMON` terminating condition must directly follow the `DX_PMOFF` terminating condition. A combination of both `DV_TPT` structures using these conditions is used to form a single termination condition. For more information, see the `DV_TPT` structure in the *Voice API Library Reference*.

specific digit received (DX_DIGMASK)

Digits received during an I/O function are collected in a channel's digit buffer. If the buffer is not empty before an I/O function executes, the digits in the buffer are treated as being received during the I/O execution. This termination condition is enabled by specifying a digit bit mask in the `tp_length` field of a `DV_TPT` structure. If any digit specified in the bit mask appears in the digit buffer, the I/O function will terminate. When this termination condition is met, a `TM_DIGIT` termination reason is returned from `ATDX_TERMMSK()`.

On DM3 boards, using more than one `DV_TPT` structure for detecting different digits is not supported. Instead, use one `DV_TPT` structure, set `DX_DIGMASK` in the `tp_termno` field, and bitwise-OR "DM_1 | DM_2" in the `tp_length` field. For uniformity, it is also strongly recommended to use the same method to detect different digits on Springware boards.

maximum function time (DX_MAXTIME)

A time limit may be placed on the execution of an I/O function. The `tp_length` field of a `DV_TPT` can be set to a specific length of time in 100 msec units. The I/O function will terminate when it executes longer than this period of time. The amount of time can be specified in 100 msec units (default) or 10 msec units. 10 msec units can be specified in the `tp_flags` field of the `DV_TPT`. When this termination condition is met, a `TM_MAXTIME` termination reason is returned from `ATDX_TERMMSK()`.

On DM3 boards, `DX_MAXTIME` is not supported by tone generation functions such as `dx_playtone()` and `dx_playtoneEx()`.

user-defined digit received (DX_DIGTYPE)

User-defined digits received during an I/O function are collected in a channel's digit buffer. If the buffer is not empty before an I/O function executes, the digits in the buffer are treated as being received during the I/O execution. This termination condition is enabled by specifying the digit and digit type in the `tp_length` field of a `DV_TPT` structure. If any digit specified in the bit mask appears in the digit buffer, the I/O function will terminate. When this termination condition is met, a `TM_DIGIT` termination reason is returned from `ATDX_TERMMSK()`.

user-defined tone on/off event detected (DX_TONE)

This termination condition is used with global tone detection. Before specifying a user-defined tone as a termination condition, the tone must first be defined using the GTD `dx_bld...()` functions, and tone detection on the channel must be enabled using the `dx_addtone()` or `dx_enbtone()` function. To set tone on/off to be a termination condition, specify `DX_TONE` in the `tp_termno` field of the `DV_TPT`. You must also specify `DX_TONEON` or `DX_TONEOFF` in the `tp_data` field. When this termination condition is met, a `TM_TONE` termination reason is returned from `ATDX_TERMMSK()`.

maximum FSK data received (DX_MAXDATA)

This termination condition is used with ADSI 2-way FSK functions only. It specifies the maximum data for ADSI 2-way FSK. A transmit/receive FSK session is terminated when the specified value of `DX_MAXDATA` (in bytes) is transmitted/received. When this termination condition is met, a `TM_MAXDATA` termination reason is returned from `ATDX_TERMMSK()`.

6.1.3 Setting Termination Conditions for Digits

To specify a timeout for `dx_getdig()` if the first digit is not received within a specified time period, use the `DX_MAXTIME` termination condition in the `DV_TPT` structure.

To specify an additional timeout if subsequent digits are not received, use the `DX_IDDTIME` (interdigit delay) termination condition and the `TF_FIRST` flag in the `DV_TPT` structure. The `TF_FIRST` flag specifies that the timer will start after the first digit is received; otherwise the timer starts when the `dx_getdig()` function is called.

6.1.4 Clearing Structures Before Use

Two library functions are provided to clear structures. `dx_clracap()` clears `DX_CAP` structures and `dx_clrtpt()` clears `DV_TPT` structures. See the *Voice API Library Reference* for details.

It is good practice to clear the field values of any structure before using the structure in a function call. Doing so will help prevent unintentional settings or terminations.

6.1.5 Working with User-Defined I/O Functions

Two library functions are provided to enable you to install user-defined I/O functions (also called user I/O functions or UIO): `dx_setuio()` and `dx_setdevuio()`. For details on these functions, see the *Voice API Library Reference*.

The following cautions apply when working with user I/O functions:

- Do not include sleeps, critical sections, or any other delays in the user I/O function.
- Do not call any other Intel Dialogic function inside the user I/O function. One exception is the `ec_getblkinfo()` function which is called from within a user I/O function. For more information on this function, see the *Continuous Speech Processing API Library Reference*.

The reason for these cautions is as follows. On Springware boards, while the user I/O function is executing, the Standard Runtime Library (SRL) is blocked and cannot process further messages from the driver. Data will be lost if the driver cannot hand off messages to the SRL. On DM3 boards, you may see chopped audio or underruns. On all boards, be aware that the risk of underruns increases as density rises.

6.2 Fixed and Flexible Routing Configurations

On DM3 boards, the voice library supports two types of routing configuration as follows:

Note: The routing configuration supported for a board depends on the software release in which the board is used. See the Release Guide for the software release you are using to determine the routing configuration supported for your board. See also the Configuration Guide for your product family for information about media load configuration file sets and routing configuration supported.

fixed routing configuration

This configuration is primarily for backward compatibility with System Release 5.0. The fixed routing configuration applies only to DM3 boards. With fixed routing, the resource devices (voice/fax) and network interface devices are permanently coupled together in a fixed configuration. Only the network interface time slot device has access to the TDM bus. Each voice resource channel device is permanently routed to a corresponding network interface time slot device on the same physical board. The routing of these resource and network interface

devices is predefined and static. The resource device also does not have access to the TDM bus and so cannot be routed independently on the TDM bus. No off-board sharing or exporting of voice/fax resources is allowed.

flexible routing configuration

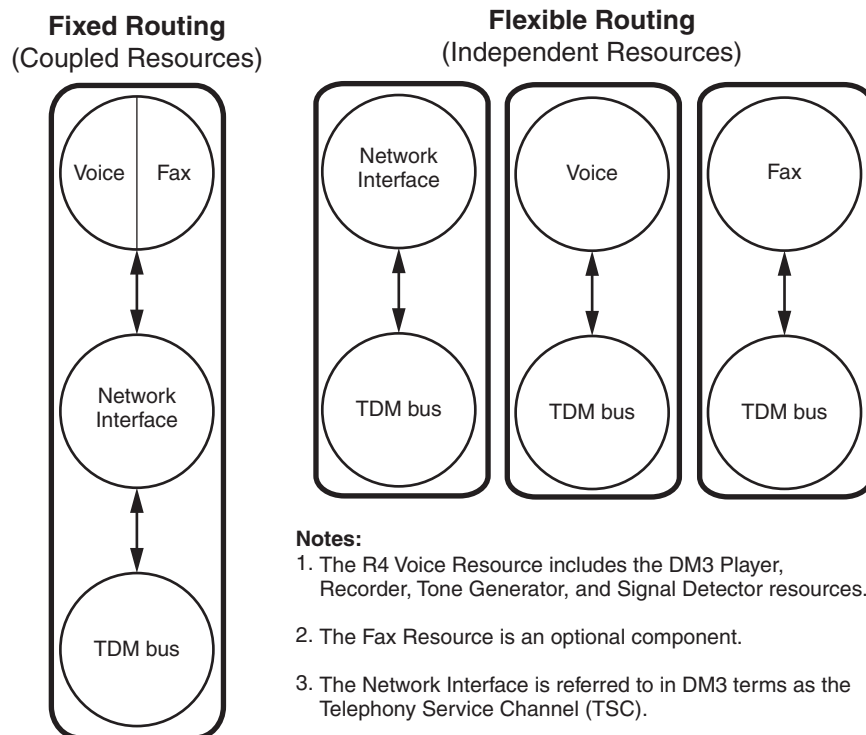
This configuration is compatible with R4 API routing on Springware boards; that is, Springware boards use flexible routing. Flexible routing is available for DM3 boards starting in System Release 5.01. With flexible routing, the resource devices (voice/fax) and network interface devices are independent, which allows exporting and sharing of the resources. All resources have access to the TDM bus. Each voice resource channel device and each network interface time slot device can be independently routed on the TDM bus. Flexible routing is the configuration of choice for application development.

These routing configurations are also referred to as cluster configurations, because the routing capability is based upon the contents of the DM3 cluster.

The fixed routing configuration is one that uses permanently coupled resources, while the flexible routing configuration uses independent resources. From a DM3 perspective, the fixed routing cluster is restricted by its coupled resources and the flexible routing cluster allows more freedom by nature of its independent resources, as shown in Figure 1.

The routing configuration (fixed or flexible) is determined by the firmware file that you assign to each DM3 board. The routing configuration takes effect at board initialization.

Figure 1. Cluster Configurations for Fixed and Flexible Routing



6.3 Fixed Routing Configuration Restrictions

Flexible routing configuration is the configuration of choice for applications using R4 on DM3. This documentation assumes that the flexible routing configuration is in use unless otherwise stated. The following restrictions apply when using fixed routing configuration:

- TDM bus voice resource routing is not supported
- TDM bus fax resource routing restricted
- voice, fax, and Global Call resource/device management restricted

Table 3 shows the voice API function restrictions in a fixed routing configuration. For Fax API restrictions, see the *Fax Software Reference*. For Global Call API restrictions, see the *Global Call API Programming Guide*.

Table 3. API Function Restrictions in a Fixed Routing Configuration

Function Name	Notes
<code>dx_close()</code>	Limitations: Although <code>dx_open()</code> and <code>dx_close()</code> are operational on DM3 voice devices in a fixed routing configuration, their purpose is extremely limited by nature of the voice resource membership in a DM3 cluster. Instead, you must use the <code>gc_OpenEx()</code> , <code>gc_GetResourceH()</code> , and <code>gc_Close()</code> functions. See the <i>Global Call API Library Reference</i> for information on these functions.
<code>dx_getxmitslot()</code>	Not supported. The function fails with error code EDX_SH_MISSING, indicating “Switching Handler is not present”.
<code>dx_listen()</code>	Not supported. The function fails with error code EDX_SH_MISSING, indicating “Switching Handler is not present”.
<code>dx_open()</code>	Limitations: Although <code>dx_open()</code> and <code>dx_close()</code> are operational on DM3 voice devices in a fixed routing configuration, their purpose is extremely limited by nature of the voice resource membership in a DM3 cluster. Instead, you must use the <code>gc_OpenEx()</code> , <code>gc_GetResourceH()</code> , and <code>gc_Close()</code> functions. See the <i>Global Call API Library Reference</i> for information on these functions.
<code>dx_unlisten()</code>	Not supported. The function fails with error code EDX_SH_MISSING, indicating “Switching Handler is not present”.
<code>nr_scroute()</code>	Limitations: Does not support voice, fax, analog network interface devices (LSI), or MSI devices. Supports DTI devices only.
<code>nr_scuroute()</code>	Limitations: Does not support voice, fax, analog network interface devices (LSI), or MSI devices. Supports DTI devices only.

6.4 Additional DM3 Considerations

The following information provides programming guidelines and considerations for developing voice applications on DM3 boards:

- [Call Control Through Global Call API Library](#)
- [Multithreading and Multiprocessing](#)
- [DM3 Media Loads](#)
- [Device Discovery for DM3 and Springware](#)

- [Device Initialization Hint](#)
- [TDM Bus Time Slot Considerations](#)
- [Tone Detection Considerations](#)

6.4.1 Call Control Through Global Call API Library

Call state functions such as **dx_wink()** and board-level parameters such as DXBD_R_ON and DXBD_R_OFF which are used in digital connections do not apply in DM3 applications.

Similarly, hook state functions such as **dx_sethook()** and **dx_wtring()** and settings such as DM_RINGS which are used in analog connections do not apply in DM3 applications.

Instead, these call control type functions are typically performed by the Global Call API Library. For more information on setting up call control, see the *Global Call API Programming Guide* and the *Global Call API Library Reference*.

As another example, the DX_LCOFF termination condition is not supported on DM3 boards using the voice library; however support is available via call control API. For more information, see the *Global Call Analog Technology User's Guide*.

6.4.2 Multithreading and Multiprocessing

The voice API supports multithreading and multiprocessing on the board level but not on the channel level on DM3 boards.

The following restrictions apply:

- A channel can only be opened in one process at a time; the same channel cannot be used by more than one process concurrently. However, multiple processes can access different sets of channels. Ensure that each process is provided with a unique set of devices to manipulate.
- If a channel is opened in process A and then closed, process B is allowed to open the same channel. However, you should avoid this type of sequence. Since closing a channel is an asynchronous operation on DM3 boards, there is a small gap between the time when the `xx_close()` function returns in process A and the time when process B is allowed to open the same channel. If process B opens the channel too early, unpredictable results may occur.
- Multiple processes that define tones (GTD or GTG) do not share tone definitions in the firmware. For example, if you define tone A in process 1 for channel dxxxB1C1 on a DM3 board and the same tone A in process 2 for channel dxxxB1C1 on the same DM3 board, two firmware tones are consumed on the board. In other words, the same tone defined from different processes is not shared in the firmware; hence this limits the number of tones that can be created overall. For more information, see [Chapter 13, “Global Tone Detection and Generation, and Cadenced Tone Generation”](#).

It is recommended that you develop your application using a single thread per span or a single thread per board rather than a single thread per channel. For more information on programming models and performance considerations, see the *Standard Runtime Library API Programming Guide*.

6.4.3 DM3 Media Loads

Different configurations for DM3 products are supported in the form of media loads. For instance, a specific media load is available for users who need to implement continuous speech processing (CSP) and conferencing in their applications. See the appropriate Configuration Guide for specific media loads that are available.

6.4.4 Device Discovery for DM3 and Springware

Applications that use both Springware and DM3 devices must have a way of differentiating what type of device is to be opened. The TDM bus routing functions such as **dx_getctinfo()** provide a programming solution. DM3 hardware is identified by the CT_DFDM3 value in the ct_devfamily field of the CT_DEVINFO structure. Only DM3 devices will have this field set to CT_DFDM3.

For more information on the **dx_getctinfo()** function and the CT_DEVINFO structure, see the *Voice API Library Reference*.

Note: Use SRL device mapper functions to return information about the structure of the system. For information on these functions, see the *Standard Runtime Library API Library Reference*.

The following procedure shows how to initialize an application and perform device discovery when the application supports both DM3 and Springware boards.

1. Open the first voice channel device on the first voice board in the system with **dx_open()**.
2. Call **dx_getctinfo()** and check the CT_DEVINFO.ct_devfamily value.
3. If ct_devfamily is CT_DFDM3, then flag all the voice channel devices associated with the board as DM3 type.
4. Close the voice channel with **dx_close()**.
5. Repeat steps 1 to 4 for each voice board.

For information on initializing the Global Call API on DM3 devices, see the *Global Call API Programming Guide*.

6.4.5 Device Initialization Hint

The **xx_open()** functions for the voice (dx), Global Call (gc), network (dt), and fax (fx) APIs are asynchronous on DM3 boards, unlike the standard Springware versions, which are synchronous. This should usually have no impact on an application, except in cases where a subsequent function calls on a device that is still initializing, that is, is in the process of opening. In such cases, the initialization must be finished before the follow-up function can work. The function won't return an error, but it is blocked until the device is initialized.

For instance, if your application calls **dx_open()** followed by **dx_getfeaturelist()**, the **dx_getfeaturelist()** function is blocked until the initialization of the device is completed internally, even though **dx_open()** has already returned success. In other words, the initialization (**dx_open()**) may appear to be complete, but, in truth, it is still going on in parallel.

With some applications, this may cause slow device-initialization performance. You can avoid this problem in one of several ways, depending on the type of application:

- In multithreaded applications, you can reorganize the way the application opens and then configures devices. The recommendation is to do as many `xx_open()` functions as possible (grouping the devices) in one thread arranging them in a loop before proceeding with the next function. For example, you would have one loop through the grouping of devices do all the `xx_open()` functions first, and then start a second loop through the devices to configure them, instead of doing one single loop where an `xx_open()` is immediately followed by other API functions on the same device. With this method, by the time all `xx_open()` commands are completed, the first channel will be initialized, so you won't experience problems.
This change is not necessary for all applications, but if you experience poor initialization performance, you can gain back speed by using this hint.
- Develop your application using a single thread per span or a single thread per board. This way, device initialization can still be done in a loop, and by the time the subsequent function is called on the first device, initialization on that device has completed.

6.4.6 TDM Bus Time Slot Considerations

In a configuration where a network interface device listens to the same TDM bus time slot device as a local, on board voice device (or other media device such as fax, IP, conferencing, and continuous speech processing), the sharing of time slot (SOT) algorithm applies. This algorithm imposes limitations on the order and sequence of “listens” and “unlistens” between network and media devices. This section gives general guidelines. For details on application development rules and guidelines regarding SOT, see the technical note posted on the Intel telecom support web site: <http://resource.intel.com/telecom/support/notes/tmbyos/2000/tm043.htm>.

Note: These considerations apply to DMV, DM/V-A, DM/IP, and DM/VF boards. They do not apply to DM/V-B, DI series, and DMV160LP boards.

- If you call a listen function (`dt_listen()` or `gc_Listen()`) on a network interface device to listen to an external TDM bus time slot device, followed by one or more listen functions (`dx_listen()`, `ec_listen()`, `fx_listen()`, or other related functions), to a local, on-board voice device in order to listen to the same external TDM bus time slot device, then you must break (unlisten) the TDM bus voice connection(s) first, using an unlisten function (`dx_unlisten()`, `ec_unlisten()`, `fx_unlisten()`, etc.), prior to breaking the local network interface connection (`dt_unlisten()` or `gc_UnListen()`). Failure to do so will cause the latter call or subsequent voice calls to fail. This scenario can arise during recording (or transaction recording) of an external source, during a two-party tromboning (call bridging) connection.
- If more than one local, on-board network interface device is listening to the same external TDM bus time slot device, the network interface devices must undo the TDM bus connections (unlisten) in such a way that the first network interface to listen to the TDM bus time slot device is the last one to unlisten. This scenario can arise during broadcasting of an external source to several local network interface channels.

These considerations can be avoided by routing media devices before network interface devices, which forces all time slots to be routed externally; however, density limitations for transaction record and CSP with external reference signals apply. For more information on how to program using external reference signals, see the technical notes posted on the Intel telecom support web site. For transaction record, see

http://resource.intel.com/telecom/support/tnotes/gentnote/dl_soft/tn253.htm. For CSP, see http://resource.intel.com/telecom/support/tnotes/gentnote/dl_soft/tn254.htm.

6.4.7 Tone Detection Considerations

The following consideration applies to tone detection on DM3 boards:

- Digits will not always be cleared by the time the **dx_clrdigbuf()** function returns, because processing may continue on the board even after the function returns. For this reason, careful consideration should be given when using this function before or during a section where digit detection or digit termination is required; the digit may be cleared after the function has returned or possibly during the next function call.

6.5 Using Wink Signaling

The information in this section does not apply to DM3 boards.

The following topics provide information on wink signaling which is available through the **dx_wink()** function:

- [Setting Delay Prior to Wink](#)
- [Setting Wink Duration](#)
- [Receiving an Inbound Wink](#)

6.5.1 Setting Delay Prior to Wink

The information in this section does not apply to DM3 boards.

The default delay prior to generating the outbound wink is 150 msec. To change the delay, use the **dx_setparm()** function to enter a value for the DXCH_WINKDLY parameter where:

delay = the value entered x 10 msec

The syntax of the function is:

```
int delay;
delay = 15;
dx_setparm(dev, DXCH_WINKDLY, (void*) &delay)
```

If delay = 15, then DXCH_WINKDLY = 15 x 10 or 150 msec.

6.5.2 Setting Wink Duration

The information in this section does not apply to DM3 boards.

The default outbound wink duration is 150 msec. To change the wink duration, use the **dx_setparm()** function to enter a value for the DXCH_WINKLEN parameter where:

duration = the value entered x 10 msec

The syntax of the function is:

```
int duration;  
duration = 15;  
dx_setparm(dev,DXCH_WINKLEN, (void*)&duration)
```

If duration = 15, then DXCH_WINKLEN = 15 x 10 or 150 msec.

6.5.3 Receiving an Inbound Wink

The information in this section does not apply to DM3 boards.

Note: The inbound wink duration must be between the values set for DXCH_MINRWINK and DXCH_MAXRWINK. The default value for DXCH_MINRWINK is 100 msec, and the default value for DXCH_MAXRWINK is 200 msec. Use the **dx_setparm()** function to change the minimum and maximum allowable inbound wink duration.

To receive an inbound wink on a channel:

1. Using the **dx_setparm()** function, set the off-hook delay interval (DXBD_OFFHDLY) parameter to 1 so that the channel is ready to detect an incoming wink immediately upon going off hook.
2. Using the **dx_setevtmsk()** function, enable the DM_WINK event.

Note: If DM_WINK is not specified in the mask parameter of the **dx_setevtmsk()** function, and DM_RINGS is specified, a wink will be interpreted as an incoming call.

A typical sequence of events for an inbound wink is:

1. The application calls the **dx_sethook()** function to initiate a call by going off hook.
2. When the incoming call is detected by the Central Office, the CO responds by sending a wink to the board.
3. When the wink is received successfully, a DE_WINK event is sent to the application.

This chapter provides detailed information about the call progress analysis feature. The following topics are discussed:

- Call Progress Analysis Overview 43
- Call Progress and Call Analysis Terminology..... 44
- Call Progress Analysis Components 44
- Using Call Progress Analysis on DM3 Boards 46
- Call Progress Analysis Tone Detection on DM3 Boards..... 51
- Media Tone Detection on DM3 Boards..... 55
- Default Call Progress Analysis Tone Definitions on DM3 Boards 56
- Modifying Default Call Progress Analysis Tone Definitions on DM3 Boards..... 57
- Call Progress Analysis Errors 60
- Using Call Progress Analysis on Springware Boards 60
- Call Progress Analysis Tone Detection on Springware Boards..... 65
- Media Tone Detection on Springware Boards..... 69
- Default Call Progress Analysis Tone Definitions on Springware Boards 71
- Modifying Default Call Progress Analysis Tone Definitions on Springware Boards.. 71
- SIT Frequency Detection (Springware Only) 72
- Cadence Detection in Basic Call Progress Analysis (Springware Only) 78

7.1 Call Progress Analysis Overview

Call progress analysis monitors the progress of an outbound call after it is dialed into the Public Switched Telephone Network (PSTN).

By using call progress analysis (CPA) you can determine for example:

- whether the line is answered and, in many cases, how the line is answered
- whether the line rings but is not answered
- whether the line is busy
- whether there is a problem in completing the call

The outcome of the call is returned to the application when call progress analysis has completed.

There are two forms of call progress analysis:

PerfectCall call progress analysis

Also called enhanced call progress analysis. Uses an improved method of signal identification and can detect fax machines and answering machines. You should design all new applications using PerfectCall call progress analysis. DM3 boards support PerfectCall call progress analysis only.

Note: In this document, the term call progress analysis refers to PerfectCall call progress analysis unless stated otherwise.

Basic call progress analysis

Provides backward compatibility for older applications written before PerfectCall call progress analysis became available. It is strongly recommended that you do not design new applications using basic call progress analysis.

Caution: If your application also uses the Global Call API, see the Global Call documentation set for call progress analysis considerations specific to Global Call. The Global Call API is a common signaling interface for network-enabled applications, regardless of the signaling protocol needed to connect to the local telephone network. Call progress analysis support varies with the protocol used.

7.2 Call Progress and Call Analysis Terminology

On DM3 boards, a distinction is made between activity that occurs before a call is connected and after a call is connected. The following terms are used:

call progress (pre-connect)

This term refers to activity to determine the status of a call connection, such as busy, no ringback, no dial tone, and can also include the frequency detection of Special Information Tones (SIT), such as operator intercept. This activity occurs before a call is connected.

call analysis (post-connect)

This term refers to activity to determine the destination party's media type, such as voice detection, answering machine detection, fax tone detection, modem, and so on. This activity occurs after a call is connected.

call progress analysis

This term refers to the feature set that encompasses both call progress and call analysis.

7.3 Call Progress Analysis Components

Call progress analysis uses the following techniques or components to determine the progress of a call as applicable:

- cadence detection (pre-connect part of call progress analysis)
- frequency detection (pre-connect part of call progress analysis)
- loop current detection (pre-connect part of call progress analysis)
- positive voice detection (post-connect part of call progress analysis)

- positive answering machine detection (post-connect part of call progress analysis)
- fax tone detection (post-connect part of call progress analysis)

Figure 2 illustrates the components of basic call progress analysis. Figure 3 illustrates the components of PerfectCall call progress analysis. These components can all operate simultaneously.

In basic call progress analysis, cadence detection is the sole means of detecting a no ringback, busy, or no answer. PerfectCall call progress analysis uses cadence detection plus frequency detection to identify all of these signals plus fax machine tones. A connect can be detected through the complementary methods of cadence detection, frequency detection, loop current detection, positive voice detection, and positive answering machine detection.

Figure 2. Basic Call Progress Analysis Components

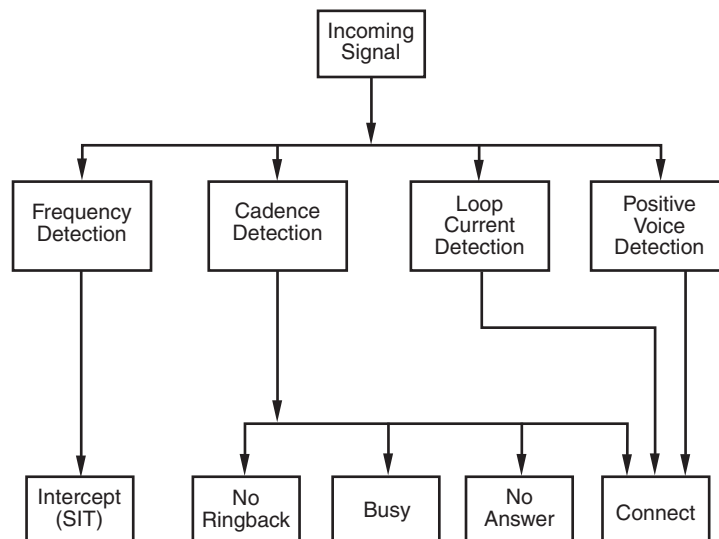
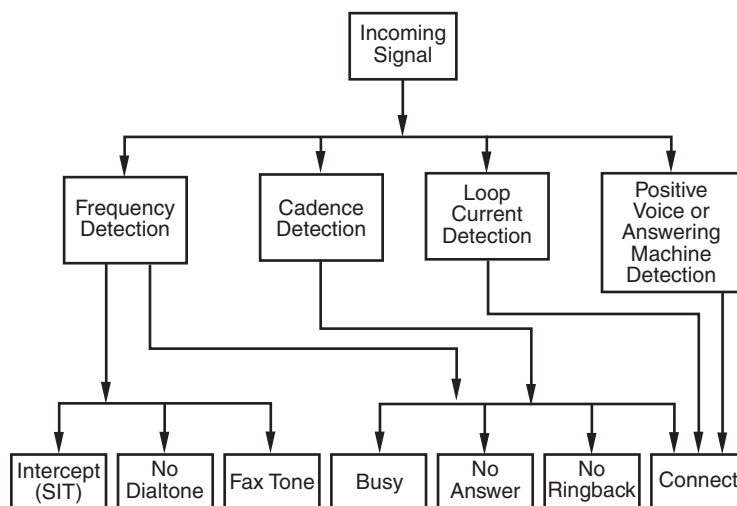


Figure 3. PerfectCall Call Progress Analysis Components



7.4 Using Call Progress Analysis on DM3 Boards

The following topics provide information on how to use call progress analysis on DM3 boards:

- [Call Progress Analysis Rules on DM3 Boards](#)
- [Overview of Steps to Initiate Call Progress Analysis](#)
- [Setting Up Call Progress Analysis Parameters in DX_CAP](#)
- [Executing a Dial Function](#)
- [Determining the Outcome of a Call](#)
- [Obtaining Additional Call Outcome Information](#)

7.4.1 Call Progress Analysis Rules on DM3 Boards

The following rules apply to the use of call progress analysis on DM3 boards:

- It is recommended that all applications use the Global Call API for call progress analysis on DM3 boards. For more information, see the *Global Call API Programming Guide*. However, for backward compatibility, applications that use ISDN protocols can still enable call progress analysis using `dx_dial()`.
- If you choose to use `dx_dial()` in ISDN applications, do not mix the use of the Global Call API and the Voice API within a phase of call progress analysis (pre-connect or post-connect).
- If you use channel associated signaling (CAS) or analog protocols, the following rules apply:
 - Pre-connect is typically provided by the protocol via the Global Call API.
 - The `dx_dial()` function cannot be used for pre-connect.
 - If post-connect is disabled in the protocol, then `dx_dial()` is available for post-connect.

Table 4 provides information on call progress analysis scenarios supported with the **dx_dial()** function. This method is available regardless of the protocol being used; however, some restrictions apply when using DM3 CAS protocols. The restrictions are due to the fact that the voice capability is shared between the network device and the voice channel during the call setup time. In particular, to invoke **dx_dial()** under channel associated signaling (CAS), your application must wait for the connected event.

Note: The information in this table also applies to DM3 analog products, which are considered to use CAS protocols.

Table 4. Call Progress Analysis Support with dx_dial()

CPA Feature	dx_dial() support on DM3	Comments
Busy	Yes	analog/CAS protocols: not supported
No ringback	Yes	analog/CAS protocols: not supported
SIT frequency detection	Yes	analog/CAS protocols: not supported
No answer	Yes	analog/CAS protocols: not supported
Cadence break	Yes	analog/CAS protocols: not supported
Loop current detection	No	
Dial tone detection	No	
Fax tone detection	Yes	analog/CAS protocols: wait for Global Call GCEV_CONNECTED event
Positive Voice Detection (PVD)	Yes	analog/CAS protocols: wait for Global Call GCEV_CONNECTED event
Positive Answering Machine Detection (PAMD)	Yes	analog/CAS protocols: wait for Global Call GCEV_CONNECTED event

7.4.2 Overview of Steps to Initiate Call Progress Analysis

Review the information in [Section 7.4.1, “Call Progress Analysis Rules on DM3 Boards”](#), on page 46. If you choose to use the voice API for call progress analysis on DM3 boards, perform the following procedure to initiate an outbound call with call progress analysis:

1. Set up the call analysis parameter structure (DX_CAP), which contains parameters to control the operation of call progress analysis, such as positive voice detection and positive answering machine detection.
2. Call **dx_dial()** to start call progress analysis during the desired phase of the call.
3. Use the **ATDX_CPTERM()** extended attribute function to determine the outcome of the call.
4. Obtain additional termination information as desired using extended attribute functions.

Each of these steps is described in more detail next. For a full description of the functions and data structures described in this chapter, see the *Voice API Library Reference*.

7.4.3 Setting Up Call Progress Analysis Parameters in DX_CAP

The call progress analysis parameters structure, `DX_CAP`, is used by `dx_dial()`. It contains parameters to control the operation of call progress analysis features, such as positive voice detection (PVD) and positive answering machine detection (PAMD). To customize the parameters for your environment, you must set up the `DX_CAP` structure before calling a dial function.

To set up the `DX_CAP` structure for call progress analysis:

1. Execute the `dx_clracap()` function to clear the `DX_CAP` and initialize the parameters to 0. The value 0 indicates that the default value will be used for that particular parameter. `dx_dial()` can also be set to run with default call progress analysis parameter values, by specifying a NULL pointer to the `DX_CAP` structure.
2. Set a `DX_CAP` parameter to another value if you do not want to use the default value. The `ca_intflg` field (intercept mode flag) of `DX_CAP` enables and disables the following call progress analysis components: SIT frequency detection, positive voice detection (PVD), and positive answering machine detection (PAMD). Use one of the following values for the `ca_intflg` field:
 - `DX_OPTDIS`. Disables Special Information Tone (SIT) frequency detection, PAMD, and PVD. This setting provides call progress without SIT frequency detection.
 - `DX_OPTNOCON`. Enables SIT frequency detection and returns an “intercept” immediately after detecting a valid frequency. This setting provides call progress with SIT frequency detection.
 - `DX_PVDENABLE`. Enables PVD and fax tone detection. Provides PVD call analysis only (no call progress).
 - `DX_PVDOPTNOCON`. Enables PVD, `DX_OPTNOCON`, and fax tone detection. This setting provides call progress with SIT frequency detection and PVD call analysis.
 - `DX_PAMDENABLE`. Enables PAMD, PVD, and fax tone detection. This setting provides PAMD and PVD call analysis only (no call progress).
 - `DX_PAMDOPTEN`. Enables PAMD, PVD, `DX_OPTNOCON`, and fax tone detection. This setting provides full call progress and call analysis.

Note: `DX_OPTEN` and `DX_PVDOPTEN` are obsolete. Use `DX_OPTNOCON` and `DX_PVDOPTNOCON` instead.

7.4.4 Executing a Dial Function

To use call progress analysis, call `dx_dial()` with the `mode` function argument set to `DX_CALLP`. Termination of dialing with call progress analysis is indicated differently depending on whether the function is running asynchronously or synchronously.

If running asynchronously, use Standard Runtime Library (SRL) event management functions to determine when dialing with call progress analysis is complete (`TDX_CALLP` termination event).

If running synchronously, wait for the function to return a value greater than 0 to indicate successful completion.

- Notes:*
1. On DM3 boards, **dx_dial()** cannot be used to start an outbound call; instead use the Global Call API.
 2. To issue **dx_dial()** without dialing digits, specify “” in the **dialstrp** argument.

7.4.5 Determining the Outcome of a Call

In asynchronous mode, once **dx_dial()** with call progress analysis has terminated, use the extended attribute function **ATDX_CPTERM()** to determine the outcome of the call. (In synchronous mode, **dx_dial()** returns the outcome of the call.) **ATDX_CPTERM()** will return one of the following call progress analysis termination results:

CR_BUSY

Called line was busy.

CR_CEPT

Called line received operator intercept (SIT).

CR_CNCT

Called line was connected. Use **ATDX_CONNTYPE()** to return the connection type for a completed call.

CR_ERROR

Call progress analysis error occurred. Use **ATDX_CPERROR()** to return the type of error.

CR_FAXTONE

Called line was answered by fax machine or modem.

CR_NOANS

Called line did not answer.

CR_NORB

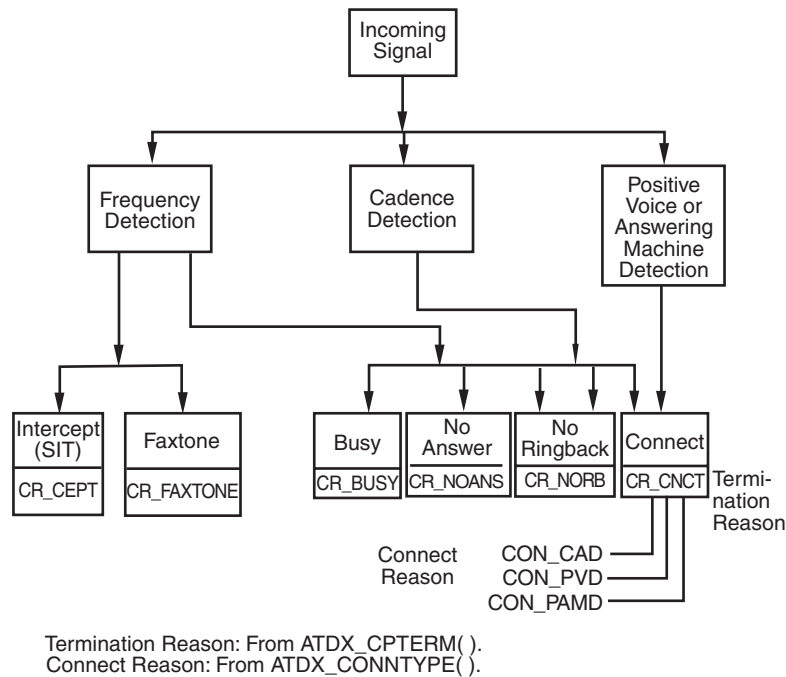
No ringback on called line.

CR_STOPD

Call progress analysis stopped due to **dx_stopch()**.

Figure 4 illustrates the possible outcomes of call progress analysis.

Figure 4. Call Outcomes for Call Progress Analysis (DM3)



7.4.6 Obtaining Additional Call Outcome Information

To obtain additional call progress analysis information, use the following extended attribute functions:

ATDX_CPERROR()

Returns call analysis error.

ATDX_CPTERM()

Returns last call analysis termination reason.

ATDX_CONNTYPE()

Returns connection type.

See each function reference description in the *Voice API Library Reference* for more information.

Note: These extended attribute functions do not return information about functionality that is not supported on DM3 boards; for example, connection type CON_LPC and termination reason CR_NODIALTONE.

7.5 Call Progress Analysis Tone Detection on DM3 Boards

The following topics discuss tone detection used in call progress analysis on DM3 boards:

- [Tone Detection Overview](#)
- [Types of Tones](#)
- [Ringback Detection](#)
- [Busy Tone Detection](#)
- [Fax or Modem Tone Detection](#)
- [SIT Frequency Detection](#)

7.5.1 Tone Detection Overview

Call progress analysis uses a combination of cadence detection and frequency detection to identify certain signals during the course of an outgoing call. Cadence detection identifies repeating patterns of sound and silence, and frequency detection determines the pitch of the signal. Together, the cadence and frequency of a signal make up its “tone definition”.

7.5.2 Types of Tones

Tone definitions are used to identify several kinds of signals.

The following defined tones and tone identifiers are provided by the voice library for DM3 boards. Tone identifiers are returned by the `ATDX_CRTNID()` function.

TID_BUSY1
First signal busy

TID_BUSY2
Second signal busy

TID_DIAL_INTL
International dial tone

TID_DIAL_LCL
Local dial tone

TID_DISCONNECT
Disconnect tone (post-connect)

TID_FAX1
First fax or modem tone

TID_FAX2
Second fax or modem tone

TID_RNGBK1
Ringback (detected as single tone)

TID_RNGBK2	Ringback (detected as dual tone)
TID_SIT_ANY	Catch all (returned for a Special Information Tone sequence or SIT sequence that falls outside the range of known default SIT sequences)
TID_SIT_INEFFECTIVE_OTHER or TID_SIT_IO	Ineffective other SIT sequence
TID_SIT_NO_CIRCUIT or TID_SIT_NC	No circuit found SIT sequence
TID_SIT_NO_CIRCUIT_INTERLATA or TID_SIT_NC_INTERLATA	InterLATA no circuit found SIT sequence
TID_SIT_OPERATOR_INTERCEPT or TID_SIT_IC	Operator intercept SIT sequence
TID_SIT_REORDER_TONE or TID_SIT_RO	Reorder (system busy) SIT sequence
TID_SIT_REORDER_TONE_INTERLATA or TID_SIT_RO_INTERLATA	InterLATA reorder (system busy) SIT sequence
TID_SIT_VACANT_CIRCUIT or TID_SIT_VC	Vacant circuit SIT sequence

Some of these tone identifiers may be used as input to function calls to change the tone definitions. For more information, see [Section 7.8, “Modifying Default Call Progress Analysis Tone Definitions on DM3 Boards”](#), on page 57.

7.5.3 Ringback Detection

Call progress analysis uses the tone definition for ringback to identify the first ringback signal of an outgoing call. At the end of the first ringback (that is, normally, at the beginning of the second ringback), a timer goes into effect. The system continues to identify ringback signals (but does not count them). If a break occurs in the ringback cadence, the call is assumed to have been answered, and call progress analysis terminates with the reason CR_CNCT (connect); the connection type returned by the `ATDX_CONNTYPE()` function will be CON_CAD (cadence break).

However, if the timer expires before a connect is detected, then the call is deemed unanswered, and call progress analysis terminates with the reason CR_NOANS.

To enable ringback detection, turn on SIT frequency detection in the DX_CAP ca_intflg field. For details, see [Section 7.4.3, “Setting Up Call Progress Analysis Parameters in DX_CAP”](#), on page 48.

The following DX_CAP fields govern ringback behavior on DM3 boards:

ca_cnosig

Continuous No Signal: the maximum length of silence (no signal) allowed immediately after the ca_stdely period (in 10 msec units). If this duration is exceeded, call progress analysis is terminated with the reason CR_NORB (no ringback detected). Default value: 4000 (40 seconds).

ca_noanswer

No Answer: the length of time to wait after the first ringback before deciding that the call is not answered (in 10 msec units). If this duration is exceeded, call progress analysis is terminated with the reason CR_NOANS (no answer). Default value: 3000 (30 seconds).

7.5.4 Busy Tone Detection

Call progress analysis specifies two busy tones: TID_BUSY1 and TID_BUSY2. If either of them is detected while frequency detection and cadence detection are active, then call progress is terminated with the reason CR_BUSY. **ATDX_CRTNID()** identifies which busy tone was detected.

To enable busy tone detection, turn on SIT frequency detection in the DX_CAP ca_intflg field. For details, see [Section 7.4.3, “Setting Up Call Progress Analysis Parameters in DX_CAP”](#), on page 48.

7.5.5 Fax or Modem Tone Detection

Call progress analysis specifies two tones: TID_FAX1 and TID_FAX2. If either of these tones is detected while frequency detection and cadence detection are active, then call progress is terminated with the reason CR_FAXTONE. **ATDX_CRTNID()** identifies which fax or modem tone was detected.

To enable fax or modem tone detection, use the ca_intflg field of the DX_CAP structure. For details, see [Section 7.4.3, “Setting Up Call Progress Analysis Parameters in DX_CAP”](#), on page 48.

7.5.6 SIT Frequency Detection

Special Information Tone (SIT) frequency detection is a component of call progress analysis. On DM3 boards, SIT sequences are defined as standard tone IDs.

To enable SIT frequency detection, use the ca_intflg field of the DX_CAP structure. For more information, see [Section 7.4.3, “Setting Up Call Progress Analysis Parameters in DX_CAP”](#), on page 48.

Table 5 shows default tone definitions for SIT sequences used on DM3 boards. The values in the “**Freq.**” column represent minimum and maximum values in Hz. “**Time**” refers to minimum and maximum on time in 10 msec units; the maximum off time between each segment is 5 (or 50 msec). The repeat count is 1 for all SIT segments. N/A means “not applicable.”

Table 5. Special Information Tone Sequences (DM3)

SIT		1st Segment		2nd Segment		3rd Segment	
Tone ID	Description	Freq.	Time	Freq.	Time	Freq.	Time
TID_SIT_NC	No Circuit Found	950/1020	32/45	1400/1450	32/45	1740/1850	N/A
TID_SIT_IC	Operator Intercept	874/955	15/30	1310/1430	15/30	1740/1850	N/A
TID_SIT_VC	Vacant Circuit	950/1020	32/45	1310/1430	15/30	1740/1850	N/A
TID_SIT_RO	Reorder (system busy)	874/955	15/30	1400/1450	32/45	1740/1850	N/A
TID_SIT_NC_INTERLATA	InterLATA No Circuit Found	874/955	32/45	1310/1430	32/45	1740/1850	N/A
TID_SIT_RO_INTERLATA	InterLATA Reorder (system busy)	950/1020	15/30	1310/1430	32/45	1740/1850	N/A
TID_SIT_IO	Ineffective Other	874/955	32/45	1400/1450	15/30	1740/1850	N/A
TID_SIT_ANY	Catch all tone definition	Open	Open	Open	Open	1725/1825	N/A

The following considerations apply to SIT sequences on DM3 boards:

- A single tone proxy for the dual tone (also called twin tone) exists for each of the three segments in a SIT sequence. The default definition for the minimum value and maximum value (in Hz) is 0. For more information on this tone, see [Section 7.8.4, “Rules for Using a Single Tone Proxy for a Dual Tone”](#), on page 59.
- These tone IDs have aliases:
 - TID_SIT_NO_CIRCUIT (TID_SIT_NC)
 - TID_SIT_OPERATOR_INTERCEPT (TID_SIT_IC)
 - TID_SIT_VACANT_CIRCUIT (TID_SIT_VC)
 - TID_SIT_REORDER_TONE (TID_SIT_RO)
 - TID_SIT_NO_CIRCUIT_INTERLATA (TID_SIT_NC_INTERLATA)
 - TID_SIT_REORDER_TONE_INTERLATA (TID_SIT_RO_INTERLATA)
 - TID_SIT_INEFFECTIVE_OTHER (TID_SIT_IO)
- Default SIT definitions can be modified, **except for** the following SIT sequences: TID_SIT_ANY, TID_SIT_IO, TID_SIT_NC_INTERLATA, and TID_SIT_RO_INTERLATA. For more information, see [Section 7.8, “Modifying Default Call Progress Analysis Tone Definitions on DM3 Boards”](#), on page 57.
- For TID_SIT_ANY, the frequency and time of the first and second segments are open; that is, they are ignored. Only the frequency of the third segment is relevant. This catch-all SIT sequence definition is intended to cover SIT sequences that fall outside the range of the defined SIT sequences.

7.6 Media Tone Detection on DM3 Boards

Media tone detection in call progress analysis is discussed in the following topics:

- [Positive Voice Detection \(PVD\)](#)
- [Positive Answering Machine Detection \(PAMD\)](#)

7.6.1 Positive Voice Detection (PVD)

Positive voice detection (PVD) can detect when a call has been answered by determining whether an audio signal is present that has the characteristics of a live or recorded human voice. This provides a very precise method for identifying when a connect occurs.

The `ca_intflg` field in `DX_CAP` enables/disables PVD. For information on enabling PVD, see [Section 7.4.3, “Setting Up Call Progress Analysis Parameters in DX_CAP”](#), on page 48.

PVD is especially useful in those situations where no other method of answer supervision is available, and where the cadence is not clearly broken for cadence detection to identify a connect (for example, when the nonsilence of the cadence is immediately followed by the nonsilence of speech).

If the `ATDX_CONNTYPE()` function returns `CON_PVD`, the connect was due to positive voice detection.

7.6.2 Positive Answering Machine Detection (PAMD)

Whenever PAMD is enabled, positive voice detection (PVD) is also enabled.

The `ca_intflg` field in `DX_CAP` enables/disables PAMD and PVD. For information on enabling PAMD, see [Section 7.4.3, “Setting Up Call Progress Analysis Parameters in DX_CAP”](#), on page 48.

When enabled, detection of an answering machine will result in the termination of call analysis with the reason `CR_CNCT` (connected); the connection type returned by the `ATDX_CONNTYPE()` function will be `CON_PAMD`.

The following `DX_CAP` fields govern positive answering machine detection:

`ca_pamd_spdval`

PAMD Speed Value: To distinguish between a greeting by a live human and one by an answering machine, use one of the following settings:

- `PAMD_FULLL` – look at the greeting (long method). The long method looks at the full greeting to determine whether it came from a human or a machine. Using `PAMD_FULLL` gives a very accurate determination; however, in situations where a fast decision is more important than accuracy, `PAMD_QUICK` might be preferred.
- `PAMD_QUICK` – look at connect only (quick method). The quick method examines only the events surrounding the connect time and makes a rapid judgment as to whether or not an answering machine is involved.
- `PAMD_ACCU` – look at the greeting (long method) and use the most accuracy for detecting an answering machine. This setting provides the most accurate evaluation. It

detects live voice as accurately as PAMD_FULL but is more accurate than PAMD_FULL (although slightly slower) in detecting an answering machine. Use the setting PAMD_ACCU when accuracy is more important than speed.

Default value (DM3 boards): PAMD_ACCU

The recommended setting for the call analysis parameter structure (DX_CAP) ca_pamd_spdval field is PAMD_ACCU.

ca_pamd_failtime

maximum time to wait for positive answering machine detection or positive voice detection after a cadence break. Default Value: 400 (in 10 msec units).

7.7 Default Call Progress Analysis Tone Definitions on DM3 Boards

Table 6 provides the range of values for default tone definitions for DM3 boards. These default tone definitions are used in call progress analysis. Amplitudes are given in dBm, frequencies in Hz, and duration in 10 msec units. A dash in a table cell means not applicable.

- Notes:**
1. On DM3 boards, voice API functions are provided to manipulate the tone definitions in this table (see [Section 7.8, “Modifying Default Call Progress Analysis Tone Definitions on DM3 Boards”](#), on page 57). However, not all the functionality provided by these tones is available through the voice API. You may need to use the Global Call API to access the functionality, for example, in the case of dial tone detection and disconnect tone detection.
 2. An On Time maximum value of 0 indicates that this is a continuous tone. For example, TID_DIAL_LCL has an On Time range of 10 to 0. This means that the tone is on for 100 msec. The minimum requirement for detecting a tone is that it must be continuous for at least 100 msec (10 in 10 msec units) after it is detected.
 3. A single tone proxy for a dual tone (twin tone) can help improve the accuracy of dual tone detection in some cases. For more information, see [Section 7.8.4, “Rules for Using a Single Tone Proxy for a Dual Tone”](#), on page 59.

Table 6. Default Call Progress Analysis Tone Definitions (DM3)

Tone ID	Freq1 (in Hz)	Freq2 (in Hz)	On Time (in 10 msec)	Off Time (in 10 msec)	Reps	Twin Tone Freq (Hz)
TID_BUSY1	450 - 510	590 - 650	30 - 100	30 - 100	2	0
TID_BUSY2	450 - 510	590 - 650	10 - 40	10 - 40	2	0
TID_DIAL_INTL	300 - 380	400 - 480	100 - 0	-	1	300 - 480
TID_DIAL_LCL	300 - 380	400 - 480	10 - 0	-	1	0
TID_DISCONNECT	360 - 410	430 - 440	30 - 60	30 - 60	1	360 - 440
TID_FAX1	1050 - 1150	-	10 - 60	-	1	-
TID_FAX2	2000 - 2300	-	10 - 0	-	1	-
TID_RNGBK1	350 - 550	350 - 550	75 - 300	0 - 800	1	350 - 550
TID_RNGBK2 (segment 0)	350 - 550	350 - 550	20 - 100	20 - 100	1	350 - 550
TID_RNGBK2 (segment 1)	350 - 550	350 - 550	20 - 100	100 - 600	1	350 - 550

7.8 Modifying Default Call Progress Analysis Tone Definitions on DM3 Boards

On DM3 boards, call progress analysis tones are maintained in the firmware on a physical board level and are board-specific. More information on tone definitions is provided in the following topics:

- [API Functions for Manipulating Tone Definitions](#)
- [TONE_DATA Data Structure](#)
- [Rules for Modifying a Tone Definition on DM3 Boards](#)
- [Rules for Using a Single Tone Proxy for a Dual Tone](#)
- [Steps to Modify a Tone Definition on DM3 Boards](#)

7.8.1 API Functions for Manipulating Tone Definitions

The following voice API functions are used to manipulate the default tone definitions shown in [Table 6, “Default Call Progress Analysis Tone Definitions \(DM3\)”](#), on page 57 and some, but not all, of the default tone definitions shown in [Table 5, “Special Information Tone Sequences \(DM3\)”](#), on page 54.

Note: Default SIT definitions can be modified, **except for** the following SIT sequences: TID_SIT_ANY, TID_SIT_IO, TID_SIT_NC_INTERLATA, and TID_SIT_RO_INTERLATA.

dx_querytone()

gets tone information for a specific call progress tone

dx_deletetone()

deletes a specific call progress tone

dx_createtone()

creates a new tone definition for a specific call progress tone

7.8.2 TONE_DATA Data Structure

The TONE_DATA structure contains tone information for a specific call progress tone. This structure contains a nested array of TONE_SEG substructures. A maximum of six TONE_SEG substructures can be specified. The TONE_DATA structure specifies the following key information:

TONE_SEG.structver

Specifies the version of the TONE_SEG structure. Used to ensure that an application is binary compatible with future changes to this data structure.

TONE_SEG.tn_dflag

Specifies whether the tone is dual tone or single tone. Values are 1 for dual tone and 0 for single tone.

TONE_SEG.tn1_min

Specifies the minimum frequency in Hz for tone 1.

TONE_SEG.tn1_max

Specifies the maximum frequency in Hz for tone 1.

TONE_SEG.tn2_min

Specifies the minimum frequency in Hz for tone 2.

TONE_SEG.tn2_max

Specifies the maximum frequency in Hz for tone 2.

TONE_SEG.tn_twinmin

Specifies the minimum frequency in Hz of the single tone proxy for the dual tone.

TONE_SEG.tn_twinmax

Specifies the maximum frequency in Hz of the single tone proxy for the dual tone.

TONE_SEG.tnon_min

Specifies the debounce minimum ON time in 10 msec units.

TONE_SEG.tnon_max

Specifies the debounce maximum ON time in 10 msec units.

TONE_SEG.tnoff_min

Specifies the debounce minimum OFF time in 10 msec units.

TONE_SEG.tnoff_max

Specifies the debounce maximum OFF time in 10 msec units.

TONE_DATA.structver

Specifies the version of the TONE_DATA structure. Used to ensure that an application is binary compatible with future changes to this data structure.

TONE_DATA.tn_rep_cnt

Specifies the debounce rep count.

TONE_DATA.numofseg
Specifies the number of segments for a multi-segment tone.

7.8.3 Rules for Modifying a Tone Definition on DM3 Boards

Consider the following rules and guidelines for modifying default tone definitions on DM3 boards using the voice API library:

- You must issue **dx_querytone()**, **dx_deletetone()**, and **dx_createtone()** in this order, one tone at a time, for each tone definition to be modified.
- Attempting to create a new tone definition before deleting the current call progress tone will result in an EDX_TNQUERYDELETE error.
- When **dx_querytone()**, **dx_deletetone()**, or **dx_createtone()** is issued in asynchronous mode and is immediately followed by another similar call prior to completion of the previous call on the same device, the subsequent call will fail with device busy.
- Only default call progress analysis tones and SIT sequences are supported for these three functions. For a list of these tones, see [Table 5, “Special Information Tone Sequences \(DM3\)”](#), on page 54 and [Table 6, “Default Call Progress Analysis Tone Definitions \(DM3\)”](#), on page 57.
- These three voice API functions are provided to manipulate the call progress analysis tone definitions. However, not all the functionality provided by these tones is available through the voice API. You may need to use the Global Call API to access the functionality, for example, in the case of dial tone detection and disconnect tone detection.
- If the application deletes all the default call progress analysis tones in a particular set (where a set is defined as busy tones, dial tones, ringback tones, fax tones, disconnect tone, and special information tones), the set itself is deleted from the board and call progress analysis cannot be performed successfully. Therefore, you must have at least one tone defined in each tone set in order for call progress analysis to perform successfully.

Note: The Learn Mode API and Tone Set File (TSF) API provide a more comprehensive way to manage call progress tones, in particular the unique call progress tones produced by PBXs, key systems, and PSTNs. Applications can learn tone characteristics using the Learn Mode API. Information on several different tones forms one tone set. Tone sets can be written to a tone set file using the Tone Set File API. For more information, see the *Learn Mode and Tone Set File API Software Reference*.

7.8.4 Rules for Using a Single Tone Proxy for a Dual Tone

A single tone proxy (also called a twin tone) acts as a proxy for a dual tone. A single tone proxy can be defined when you run into difficulty detecting a dual tone. This situation can arise when the two frequencies of the dual tone are close together, are very short tones, or are even multiples of each other. In these cases, the dual tone might be detected as a single tone. A single tone proxy can help improve the detection of the dual tone by providing an additional tone definition.

The TONE_SEG.tn_twinmin field defines the minimum frequency of the tone and TONE_SEG.tn_twinmax field defines the maximum frequency of the tone.

Consider the following guidelines when creating a single tone proxy:

- It is recommended that you add at least 60 Hz to the top of the dual tone range and subtract at least 60 Hz from the bottom of the dual tone range. For example:
Freq1 (Hz): 400 - 500
Freq 2 (Hz): 600 - 700
Twin tone freq (Hz): 340 - 760
- Before using the TONE_DATA structure in a function call, set any unused fields in the structure to zero to prevent possible corruption of data in the allocated memory space. This guideline is applicable to unused fields in any data structure.

7.8.5 Steps to Modify a Tone Definition on DM3 Boards

To modify a default tone definition on DM3 boards using the voice API library, follow these steps:

Note: This procedure assumes that you have already opened the physical board device handle in your application. To get the physical board name in the form *brdBn*, use the **SRLGetPhysicalBoardName()** function. This function and other device mapper functions return information about the structure of the system. For more information, see the *Standard Runtime Library API Library Reference*.

1. Get the tone information for the call progress tone to be modified using **dx_querytone()**. After the function completes successfully, the relevant tone information is contained in the TONE_DATA structure.
2. Delete the current call progress tone using **dx_deletetone()** before creating a new tone definition.
3. Create a new tone definition for the call progress tone using **dx_createtone()**. Specify the new tone information in the TONE_DATA structure.
4. Repeat steps 1-3 in this order **for each tone** to be modified.

7.9 Call Progress Analysis Errors

If **ATDX_CPTERM()** returns CR_ERROR, you can use **ATDX_CPERROR()** to determine the call progress analysis error that occurred. For details on these functions, see the *Voice API Library Reference*.

7.10 Using Call Progress Analysis on Springware Boards

The following topics provide information on how to use call progress analysis when making an outbound call:

- [Overview of Steps to Initiate Call Progress Analysis](#)
- [Setting Up Call Progress Analysis Features in DX_CAP](#)
- [Enabling Call Progress Analysis](#)
- [Executing a Dial Function](#)

- [Determining the Outcome of a Call](#)
- [Obtaining Additional Call Outcome Information](#)

7.10.1 Overview of Steps to Initiate Call Progress Analysis

Perform the following procedure to initiate an outbound call with call progress analysis:

1. Set up the call analysis parameter structure (DX_CAP), which contains parameters to control the operation of call progress analysis, such as frequency detection, cadence detection, loop current, positive voice detection, and positive answering machine detection.
2. On Springware boards, enable call progress analysis on a specified channel using **dx_initcallp()**. Modify tone definitions as appropriate.
3. Call **dx_dial()** to start an outbound call.
4. Use the **ATDX_CPTERM()** extended attribute function to determine the outcome of the call.
5. Obtain additional termination, frequency, or cadence information (such as the length of the salutation) as desired using extended attribute functions.

Each of these steps is described in more detail next. For a full description of the functions and data structures described in this chapter, see the *Voice API Library Reference*.

7.10.2 Setting Up Call Progress Analysis Features in DX_CAP

The call progress analysis parameters structure, DX_CAP, is used by **dx_dial()**. It contains parameters to control the operation of call progress analysis features, such as frequency detection, positive voice detection (PVD), and positive answering machine detection (PAMD).

To customize the parameters for your environment, you must set up the call progress analysis parameter structure before calling a dial function.

To set up the DX_CAP structure for call progress analysis:

1. Execute the **dx_clrcap()** function to clear the DX_CAP and initialize the parameters to 0. The value 0 indicates that the default value will be used for that particular parameter. **dx_dial()** can also be set to run with default call progress analysis parameter values, by specifying a NULL pointer to the DX_CAP structure.
2. Set a DX_CAP parameter to another value if you do not want to use the default value. The **ca_intflg** field (intercept mode flag) of DX_CAP enables and disables the following call progress analysis components: SIT frequency detection, positive voice detection (PVD), and positive answering machine detection (PAMD). Use one of the following values for the **ca_intflg** field:
 - **DX_OPTDIS**. Disables Special Information Tone (SIT) frequency detection, PAMD, and PVD.
 - **DX_OPTNOCON**. Enables SIT frequency detection and returns an “intercept” immediately after detecting a valid frequency.
 - **DX_PVDENABLE**. Enables PVD and fax tone detection.
 - **DX_PVDOPTNOCON**. Enables PVD, DX_OPTNOCON, and fax tone detection.

- **DX_PAMDENABLE**. Enables PAMD, PVD, and fax tone detection.
 - **DX_PAMDOPTEN**. Enables PAMD, PVD, **DX_OPTNOCON**, and fax tone detection.
- Note:* **DX_OPTEN** and **DX_PVDOPTEN** are obsolete. Use **DX_OPTNOCON** and **DX_PVDOPTNOCON** instead.

For more information on adjusting **DX_CAP** parameters, see [Section 7.11, “Call Progress Analysis Tone Detection on Springware Boards”](#), on page 65, [Section 7.12, “Media Tone Detection on Springware Boards”](#), on page 69, and [Section 7.15, “SIT Frequency Detection \(Springware Only\)”](#), on page 72.

7.10.3 Enabling Call Progress Analysis

Call progress analysis is activated on a per-channel basis. On Springware boards, initiate call progress analysis using the **dx_initcallp()** function.

On Springware boards, to enable call progress analysis on a specified channel, perform the following steps. This procedure needs to be followed only once per channel; thereafter, any outgoing calls made using a dial function will benefit from call progress analysis.

1. Make any desired modifications to the default dial tone, busy tone, fax tone, and ringback signal definitions using the **dx_chgfreq()**, **dx_chgdur()**, and **dx_chgrepent()** functions. For more information, see [Section 7.14, “Modifying Default Call Progress Analysis Tone Definitions on Springware Boards”](#), on page 71.
2. Call **dx_deltone()** to clear all tone templates remaining on the channel. Note that this function deletes all global tone definition (GTD) tones for the given channel, and not just those involved with call progress analysis.
3. Execute the **dx_initcallp()** function to activate call progress analysis. Call progress analysis stays active until **dx_deltone()** is called.

The **dx_initcallp()** function initializes call progress analysis on the specified channel using the current tone definitions. Once the channel is initialized with these tone definitions, this initialization cannot be altered. The only way to change the tone definitions in effect for a given channel is to issue a **dx_deltone()** call for that channel, then invoke another **dx_initcallp()** with different tone definitions.

7.10.4 Executing a Dial Function

To use call progress analysis, call **dx_dial()** with the **mode** function argument set to **DX_CALLP**. Termination of dialing with call progress analysis is indicated differently depending on whether the function is running asynchronously or synchronously.

If running asynchronously, use Standard Runtime Library (SRL) Event Management functions to determine when dialing with call progress analysis is complete (**TDX_CALLP** termination event).

If running synchronously, wait for the function to return a value greater than 0 to indicate successful completion.

7.10.5 Determining the Outcome of a Call

In asynchronous mode, once **dx_dial()** with call progress analysis has terminated, use the extended attribute function **ATDX_CPTERM()** to determine the outcome of the call. (In synchronous mode, **dx_dial()** returns the outcome of the call.) **ATDX_CPTERM()** will return one of the following call progress analysis termination results:

CR_BUSY

Called line was busy.

CR_CEPT

Called line received operator intercept (SIT). Extended attribute functions provide information on detected frequencies and duration.

CR_CNCT

Called line was connected. Use **ATDX_CONNTYPE()** to return the connection type for a completed call.

CR_ERROR

Call progress analysis error occurred. Use **ATDX_CPERROR()** to return the type of error.

CR_FAXTONE

Called line was answered by fax machine or modem.

CR_NOANS

Called line did not answer.

CR_NODIALTONE

Timeout occurred while waiting for dial tone.

CR_NORB

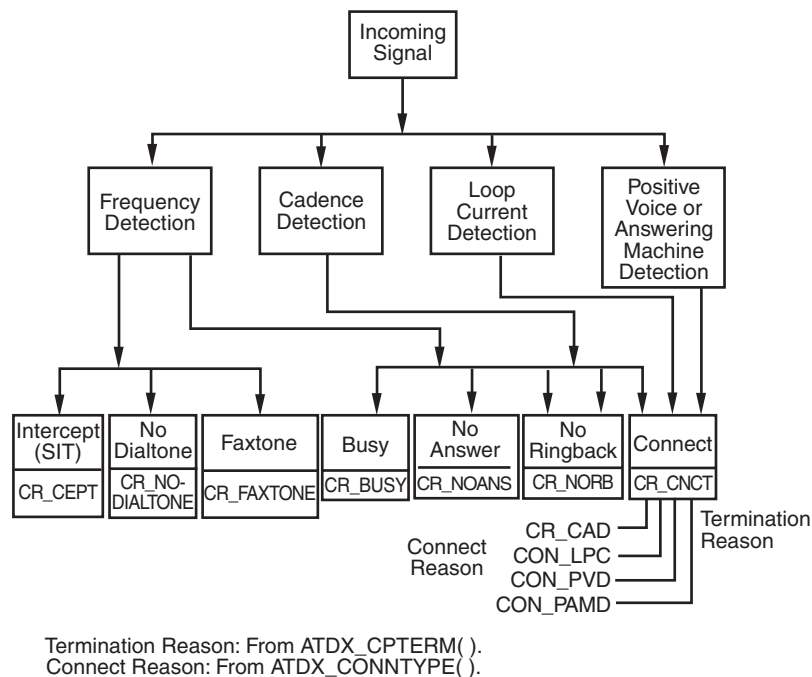
No ringback on called line.

CR_STOPD

Call progress analysis stopped due to **dx_stopch()**.

Figure 5 illustrates the possible outcomes of call progress analysis on Springware boards.

Figure 5. Call Outcomes for Call Progress Analysis (Springware)



7.10.6 Obtaining Additional Call Outcome Information

To obtain additional call progress analysis information, use the following extended attribute functions:

ATDX_ANSRSIZ()

Returns duration of answer.

ATDX_CPERROR()

Returns call analysis error.

ATDX_CPTERM()

Returns last call analysis termination.

ATDX_CONNTYPE()

Returns connection type

ATDX_CRTNID()

Returns the identifier of the tone that caused the most recent call progress analysis termination.

ATDX_DTNFAIL()

Returns the dial tone character that indicates which dial tone call progress analysis failed to detect.

ATDX_FRQDUR()

Returns duration of first frequency detected.

ATDX_FRQDUR2()

Returns duration of second frequency detected.

ATDX_FRQDUR3()

Returns duration of third frequency detected.

ATDX_FRQHZ()

Returns frequency detected in Hz of first detected tone.

ATDX_FRQHZ2()

Returns frequency of second detected tone.

ATDX_FRQHZ3()

Returns frequency of third detected tone.

ATDX_LONGLOW()

Returns duration of longer silence.

ATDX_FRQOUT()

Returns percent of frequency out of bounds.

ATDX_SHORTLO()

Returns duration of shorter silence.

ATDX_SIZEHI()

Returns duration of non-silence.

See each function reference description in the *Voice API Library Reference* for more information.

For a discussion of how frequency and cadence information returned by these extended attribute functions relate to the DX_CAP parameters, see [Section 7.12, “Media Tone Detection on Springware Boards”](#), on page 69 and [Section 7.15, “SIT Frequency Detection \(Springware Only\)”](#), on page 72.

7.11 Call Progress Analysis Tone Detection on Springware Boards

Tone detection in PerfectCall call progress analysis differs from the one in basic call progress analysis. The following topics discuss tone detection used in PerfectCall call progress analysis on Springware boards:

- [Tone Detection Overview](#)
- [Types of Tones](#)
- [Dial Tone Detection](#)
- [Ringback Detection](#)
- [Busy Tone Detection](#)
- [Fax or Modem Tone Detection](#)
- [Loop Current Detection](#)

7.11.1 Tone Detection Overview

PerfectCall call progress analysis uses a combination of cadence detection and frequency detection to identify certain signals during the course of an outgoing call. Cadence detection identifies repeating patterns of sound and silence, and frequency detection determines the pitch of the signal. Together, the cadence and frequency of a signal make up its “tone definition”.

Unlike basic call progress analysis, which uses fields in the DX_CAP structure to store signal cadence information, PerfectCall call progress analysis uses tone definitions which are contained in the voice driver itself. Functions are available to modify these default tone definitions.

7.11.2 Types of Tones

Tone definitions are used to identify several kinds of signals.

The following defined tones and tone identifiers are provided by the voice library on Springware boards. Tone identifiers are returned by the **ATDX_CRTNID()** function.

TID_BUSY1
Busy signal

TID_BUSY2
Alternate busy signal

TID_DIAL_INTL
International dial tone

TID_DIAL_LCL
Local dial tone

TID_DIAL_XTRA
Special (extra) dial tone

TID_FAX1
CNG (calling) fax tone or modem tone

TID_FAX2
CED (called station) fax tone or modem tone

TID_RNGBK1
Ringback

TID_RNGBK2
Ringback

The tone identifiers are used as input to function calls to change the tone definitions. For more information, see [Section 7.14, “Modifying Default Call Progress Analysis Tone Definitions on Springware Boards”](#), on page 71.

7.11.3 Dial Tone Detection

Wherever call progress analysis is in effect, a dial string for an outgoing call may specify special ASCII characters that instruct the system to wait for a certain kind of dial tone. The following additional special characters may appear in a dial string:

- L
wait for a local dial tone
- I
wait for an international dial tone
- X
wait for a special (“extra”) dial tone

The tone definitions for each of these dial tones is set for each channel at the time of the **dx_initcall()** function. In addition, the following **DX_CAP** fields identify how long to wait for a dial tone, and how long the dial tone must remain stable.

ca_dtn_pres

Dial Tone Present: the length of time that the dial tone must be continuously present (in 10 msec units). If a dial tone is present for this amount of time, dialing of the dial string proceeds. Default value: 100 (one second).

ca_dtn_npres

Dial Tone Not Present: the length of time to wait before declaring the dial tone not present (in 10 msec units). If a dial tone of sufficient length (**ca_dtn_pres**) is not found within this period of time, call progress analysis terminates with the reason **CR_NODIALTONE**. The dial tone character (**L**, **I**, or **X**) for the missing dial tone can be obtained using **ATDX_DTNFAIL()**. Default value: 300 (three seconds).

ca_dtn_deboff

Dial Tone Debounce: the maximum duration of a break in an otherwise continuous dial tone before it is considered invalid (in 10 msec units). This parameter is used for ignoring short drops in dial tone. If a drop longer than **ca_dtn_deboff** occurs, then dial tone is no longer considered present, and another dial tone must begin and be continuous for **ca_dtn_pres**. Default value: 10 (100 msec).

7.11.4 Ringback Detection

Call progress analysis uses the tone definition for ringback to identify the first ringback signal of an outgoing call. At the end of the first ringback (that is, normally, at the beginning of the second ringback), a timer goes into effect. The system continues to identify ringback signals (but does not count them). If a break occurs in the ringback cadence, the call is assumed to have been answered, and call progress analysis terminates with the reason **CR_CNCT** (connect); the connection type returned by the **ATDX_CONNTYPE()** function will be **CON_CAD** (cadence break).

However, if the timer expires before a connect is detected, then the call is deemed unanswered, and call progress analysis terminates with the reason **CR_NOANS**.

To enable ringback detection, turn on SIT frequency detection in the **DX_CAP ca_intflg** field. For details, see [Section 7.10.2, “Setting Up Call Progress Analysis Features in DX_CAP”](#), on page 61.

The following DX_CAP fields govern ringback behavior:

ca_stdely

Start Delay: the delay after dialing has been completed before starting cadence detection, frequency detection, and positive voice detection (in 10 msec units). Default: 25 (0.25 seconds).

ca_cnosig

Continuous No Signal: the maximum length of silence (no signal) allowed immediately after the ca_stdely period (in 10 msec units). If this duration is exceeded, call progress analysis is terminated with the reason CR_NORB (no ringback detected). Default value: 4000 (40 seconds).

ca_noanswer

No Answer: the length of time to wait after the first ringback before deciding that the call is not answered (in 10 msec units). If this duration is exceeded, call progress analysis is terminated with the reason CR_NOANS (no answer). Default value: 3000 (30 seconds).

ca_maxintering

Maximum Inter-ring: the maximum length of time to wait between consecutive ringback signals (in 10 msec units). If this duration is exceeded, call progress analysis is terminated with the reason CR_CNCT (connected). Default value: 800 (8 seconds).

7.11.5 Busy Tone Detection

Call progress analysis specifies two busy tones: TID_BUSY1 and TID_BUSY2. If either of them is detected while frequency detection and cadence detection are active, then call progress is terminated with the reason CR_BUSY. **ATDX_CRTNID()** identifies which busy tone was detected.

To enable busy tone detection, turn on SIT frequency detection in the DX_CAP ca_intflg field. For details, see [Section 7.10.2, “Setting Up Call Progress Analysis Features in DX_CAP”](#), on page 61.

7.11.6 Fax or Modem Tone Detection

Two tones are defined: TID_FAX1 and TID_FAX2. If either of these tones is detected while frequency detection and cadence detection are active, then call progress is terminated with the reason CR_FAXTONE. **ATDX_CRTNID()** identifies which fax or modem tone was detected.

To enable fax or modem tone detection, turn on SIT frequency detection in the DX_CAP ca_intflg field. For details, see [Section 7.10.2, “Setting Up Call Progress Analysis Features in DX_CAP”](#), on page 61.

7.11.7 Loop Current Detection

The **dx_dial()** function does not support loop current detection on DM3 boards.

Some telephone systems return a momentary drop in loop current when a connection has been established (**answer supervision**). Loop current detection returns a **connect** when a transient loop current drop is detected.

In some environments, including most PBXs, answer supervision is not provided. In these environments, Loop current detection will not function. Check with your Central Office or PBX supplier to see if answer supervision based on loop current changes is available.

In some cases, the application may receive one or more transient loop current drops before an actual connection occurs. This is particularly true when dialing long-distance numbers, when the call may be routed through several different switches. Any one of these switches may be capable of generating a momentary drop in loop current.

To disable loop current detection, set DX_CAP ca_lcdly to -1.

Note: For applications that use loop current reversal to signal a disconnect, it is recommended that DXBD_MINLCOFF be set to 2 to prevent Loop Current On and Loop Current Off from being reported instead of Loop Current Reversal.

7.11.7.1 Loop Current Detection Parameters Affecting a Connect

To prevent detecting a connect prematurely or falsely due to a spurious loop current drop, you can delay the start of loop current detection by using the parameter ca_lcdly.

Loop current detection returns a **connect** after detecting a loop current drop. To allow the person who answered the phone to say “hello” before the application proceeds, you can delay the return of the **connect** by using the parameter ca_lcdly1.

ca_lcdly

Loop Current Delay: the delay after dialing has been completed and before beginning Loop Current Detection. To disable loop current detection, set to -1. Default: 400 (10 msec units).

ca_lcdly1

Loop Current Delay 1: the delay after loop current detection detects a transient drop in loop current and before call progress analysis returns a connect to the application. Default: 10 (10 msec units).

If the ATDX_CONNTYPE() function returns CON_LPC, the connect was due to loop current detection.

Note: When a connect is detected through positive voice detection or loop current detection, the DX_CAP parameters ca_hedge, ca_ansrdgl, and ca_maxansr are ignored.

7.12 Media Tone Detection on Springware Boards

Media tone detection in call progress analysis is discussed in the following topics:

- [Positive Voice Detection \(PVD\)](#)
- [Positive Answering Machine Detection \(PAMD\)](#)

7.12.1 Positive Voice Detection (PVD)

Positive voice detection (PVD) can detect when a call has been answered by determining whether an audio signal is present that has the characteristics of a live or recorded human voice. This provides a very precise method for identifying when a connect occurs.

The `ca_intflg` field in `DX_CAP` enables/disables PVD. For information on enabling PVD, see [Section 7.10.2, “Setting Up Call Progress Analysis Features in DX_CAP”](#), on page 61.

PVD is especially useful in those situations where answer supervision is not available for loop current detection to identify a connect, and where the cadence is not clearly broken for cadence detection to identify a connect (for example, when the nonsilence of the cadence is immediately followed by the nonsilence of speech).

If the `ATDX_CONNTYPE()` function returns `CON_PVD`, the connect was due to positive voice detection.

7.12.2 Positive Answering Machine Detection (PAMD)

Whenever PAMD is enabled, positive voice detection (PVD) is also enabled.

The `ca_intflg` field in `DX_CAP` enables/disables PAMD and PVD. For information on enabling PAMD, see [Section 7.10.2, “Setting Up Call Progress Analysis Features in DX_CAP”](#), on page 61.

When enabled, detection of an answering machine will result in the termination of call analysis with the reason `CR_CNCT` (connected); the connection type returned by the `ATDX_CONNTYPE()` function will be `CON_PAMD`.

The following `DX_CAP` fields govern positive answering machine detection:

`ca_pamd_spdval`

PAMD Speed Value: To distinguish between a greeting by a live human and one by an answering machine, use one of the following settings:

- `PAMD_FULL` – look at the greeting (long method). The long method looks at the full greeting to determine whether it came from a human or a machine. Using `PAMD_FULL` gives a very accurate determination; however, in situations where a fast decision is more important than accuracy, `PAMD_QUICK` might be preferred.
- `PAMD_QUICK` – look at connect only (quick method). The quick method examines only the events surrounding the connect time and makes a rapid judgment as to whether or not an answering machine is involved.
- `PAMD_ACCU` – look at the greeting (long method) and use the most accuracy for detecting an answering machine. This setting provides the most accurate evaluation. It detects live voice as accurately as `PAMD_FULL` but is more accurate than `PAMD_FULL` (although slightly slower) in detecting an answering machine. Use the setting `PAMD_ACCU` when accuracy is more important than speed.

Default value (Springware boards): `PAMD_FULL`

The recommended setting for the call analysis parameter structure (`DX_CAP`) `ca_pamd_spdval` field is `PAMD_ACCU`.

- ca_pamd_qtemp
PAMD Qualification Template: the algorithm to use in PAMD. At present there is only one template: PAMD_QUAL1TMP. This parameter must be set to this value.
- ca_pamd_failtime
maximum time to wait for positive answering machine detection or positive voice detection after a cadence break. Default Value: 400 (in 10 msec units).
- ca_pamd_minring
minimum allowable ring duration for positive answering machine detection. Default Value: 190 (in 10 msec units).

7.13 Default Call Progress Analysis Tone Definitions on Springware Boards

Table 7 provides call progress analysis default tone definitions for Springware boards. Frequencies are specified in Hz, durations in 10 msec units, and repetitions in integers. For information on manipulating these tone definitions, see [Section 7.14, “Modifying Default Call Progress Analysis Tone Definitions on Springware Boards”](#), on page 71.

Table 7. Default Call Progress Analysis Tone Definitions (Springware)

Tone ID	Freq1 (in Hz)	Freq2 (in Hz)	On Time (in 10 msec)	Off Time (in 10 msec)	Reps
TID_BUSY1	500 ± 200		55 ± 40	55 ± 40	4
TID_BUSY2	500 ± 200	500 ± 200	55 ± 40	55 ± 40	4
TID_DIAL_LCL	400 ± 125				
TID_DIAL_INTL	402 ± 125				
TID_DIAL_XTRA	401 ± 125				
TID_DISCONNECT	500 ± 200	500 ± 200	55 ± 40	55 ± 40	4
TID_FAX1	1650 ± 100		20 ± 20		
TID_FAX2	1100 ± 50		25 ± 25		
TID_RNGBK1	450 ± 150		130 ± 105	580 ± 415	
TID_RNGBK2	450 ± 150	450 ± 150	130 ± 105	580 ± 415	

7.14 Modifying Default Call Progress Analysis Tone Definitions on Springware Boards

On Springware boards, call progress analysis makes use of global tone detection (GTD) tone definitions for three different types of dial tones, two busy tones, one ringback tone, and two fax tones. The tone definitions specify the frequencies, durations, and repetition counts necessary to identify each of these signals. Each signal may consist of a single tone or a dual tone.

The voice driver contains default definitions for each of these tones. The default definitions will allow applications to identify the tones correctly in most countries and for most switching equipment. However, if a situation arises in which the default tone definitions are not adequate, three functions are provided to modify the standard tone definitions:

dx_chgfreq()

specifies frequencies and tolerances for one or both frequencies of a single- or dual-frequency tone

dx_chgdur()

specifies the cadence (on time, off time, and acceptable deviations) for a tone

dx_chgrepent()

specifies the repetition count required to identify a tone

These functions can be used to modify the tone definitions shown in [Table 7, “Default Call Progress Analysis Tone Definitions \(Springware\)”](#), on page 71. These functions only change the tone definitions; they do not alter the behavior of call progress analysis itself. When the **dx_initcallp()** function is invoked to activate call progress analysis on a particular channel, it uses the current tone definitions to initialize that channel. Multiple calls to **dx_initcallp()** may therefore use varying tone definitions, and several channels can operate simultaneously with different tone definitions.

For more information on tones and tone detection, see [Section 7.11, “Call Progress Analysis Tone Detection on Springware Boards”](#), on page 65.

Note: The Learn Mode API and Tone Set File (TSF) API provide a more comprehensive way to manage call progress tones, in particular the unique call progress tones produced by PBXs, key systems, and PSTNs. Applications can learn tone characteristics using the Learn Mode API. Information on several different tones forms one tone set. Tone sets can be written to a tone set file using the Tone Set File API. For more information, see the *Learn Mode and Tone Set File API Software Reference for Linux and Windows Operating Systems*.

7.15 SIT Frequency Detection (Springware Only)

Special Information Tone (SIT) frequency detection is a component of call progress analysis. The following topics provide more information on this component:

- [Tri-Tone SIT Sequences](#)
- [Setting Tri-Tone SIT Frequency Detection Parameters](#)
- [Obtaining Tri-Tone SIT Frequency Information](#)
- [Global Tone Detection Tone Memory Usage](#)
- [Frequency Detection Errors](#)
- [Setting Single Tone Frequency Detection Parameters](#)
- [Obtaining Single Tone Frequency Information](#)

7.15.1 Tri-Tone SIT Sequences

SIT frequency detection operates simultaneously with all other call progress analysis detection methods. The purpose of frequency detection is to detect the tri-tone special information tone (SIT) sequences and other single-frequency tones. Detection of a SIT sequence indicates an operator intercept or other problem in completing the call.

SIT frequency detection can detect virtually any single-frequency tone below 2100 Hz and above 300 Hz.

Table 8 provides tone information for the four SIT sequences on Springware boards. The frequencies are represented in Hz and the length of the signal is in 10 msec units. The length of the first segment is not dependable; often it is shortened or cut.

On DM3 boards, SIT sequences are defined as tone IDs. For a definition of SIT sequences on DM3 boards, see Table 5, “Special Information Tone Sequences (DM3)”, on page 54.

Table 8. Special Information Tone Sequences (Springware)

SIT		1st Segment		2nd Segment		3rd Segment	
Name	Description	Freq.	Len.	Freq.	Len.	Freq.	Len.
NC	No Circuit Found	985	38	1429	38	1777	38
IC	Operator Intercept	914	27	1371	27	1777	38
VC	Vacant Circuit	985	38	1370	27	1777	38
RO	Reorder (system busy)	914	27	1429	38	1777	38

7.15.2 Setting Tri-Tone SIT Frequency Detection Parameters

On Springware boards, frequency detection on voice boards is designed to detect all three tones in a tri-tone SIT sequence. To detect all three tones in a SIT sequence, you must specify the frequency detection parameters in the DX_CAP for all three tones in the sequence.

To detect all four tri-tone SIT sequences:

1. Set an appropriate frequency detection range in the DX_CAP to detect each tone across all four SIT sequences. Set the first frequency detection range to detect the first tone for all four SIT sequences (approximately 900 to 1000 Hz). Set the second frequency detection range to detect the second tone for all four SIT sequences (approximately 1350 to 1450 Hz). Set the third frequency detection range to detect the third tone for all four SIT sequences (approximately 1725 to 1825 Hz).
2. Set an appropriate detection time using the ca_timefrq and ca_mxtimefrq parameters to detect each tone across all four SIT sequences. For each tone, set ca_timefrq to 5 and ca_mxtimefrq to 50 to detect all SIT tones. The tones range in length from 27 to 38 (in 10 msec units), with some tones occasionally cut short by the Central Office.

Note: Occasionally, the first tone can also be truncated by a delay in the onset of call progress analysis due to the setting of ca_stdely.

3. After a SIT sequence is detected, **ATDX_CPTERM()** will return CR_CEPT to indicate an operator intercept, and you can determine which SIT sequence was detected by obtaining the actual detected frequency and duration for the tri-tone sequence using extended attribute functions. These functions are described in detail in the *Voice API Library Reference*.

The following fields in the DX_CAP are used for frequency detection on voice boards. Frequencies are specified in Hertz, and time is specified in 10 msec units. To enable detection of the second and third tones, you must set the frequency detection range and time for each tone.

General

The following field in the DX_CAP is used for frequency detection on voice boards.

ca_stdely

Start Delay. The delay after dialing has been completed and before starting frequency detection. This parameter also determines the start of cadence detection and positive voice detection. Note that this can affect detection of the first element of an operator intercept tone.

Default: 25 (10 msec units).

First Tone

The following fields in the DX_CAP are used for frequency detection for the first tone. Frequencies are specified in Hertz, and time is specified in 10 msec units.

ca_lowerfrq

Lower bound for first tone in Hz.

Default: 900.

ca_upperfrq

Upper bound for first tone in Hz. Adjust higher for additional operator intercept tones.

Default: 1000.

ca_timefrq

Minimum time for first tone to remain in bounds. The minimum amount of time required for the audio signal to remain within the frequency detection range for it to be detected. The audio signal must not be greater than ca_upperfrq or lower than ca_lowerfrq for at least the time interval specified in ca_timefrq.

Default: 5 (10 msec units).

ca_mxtimefrq

Maximum allowable time for first tone to be present.

Default: 0 (10 msec units).

Second Tone

The following fields in the DX_CAP are used for frequency detection for the second tone. Frequencies are specified in Hertz, and time is specified in 10 msec units. To enable detection of the second and third tones, you must set the frequency detection range and time for each tone.

Note: This tone is disabled initially and must be activated by the application using these variables.

ca_lower2frq

Lower bound for second tone in Hz. Default: 0.

ca_upper2frq

Upper bound for second tone in Hz. Default: 0.

ca_time2frq

Minimum time for second tone to remain in bounds. Default: 0 (10 msec units).

ca_mvertime2frq

Maximum allowable time for second tone to be present. Default: 0 (10 msec units).

Third Tone

The following fields in the DX_CAP are used for frequency detection for the third tone. Frequencies are specified in Hertz, and time is specified in 10 msec units. To enable detection of the second and third tones, you must set the frequency detection range and time for each tone.

Note: This tone is disabled initially and must be activated by the application using these variables.

ca_lower3frq

Lower bound for third tone in Hz. Default: 0.

ca_upper3frq

Upper bound for third tone in Hz. Default: 0.

ca_time3frq

Minimum time for third tone to remain in bounds. Default: 0 (10 msec units).

ca_mvertime3frq

Maximum allowable time for third tone to be present. Default: 0 (10 msec units).

7.15.3 Obtaining Tri-Tone SIT Frequency Information

Upon detection of the specified sequence of frequencies, you can use extended attribute functions to provide the exact frequency and duration of each tone in the sequence. The frequency and duration information will allow exact determination of all four SIT sequences.

The following extended attribute functions are used to provide information on the frequencies detected by call progress analysis.

ATDX_FRQHZ()

Frequency in Hz of the tone detected in the tone detection range specified by the DX_CAP ca_lowerfrq and ca_upperfrq parameters; usually the first tone of an SIT sequence. This function can be called on non-DSP boards.

ATDX_FRQDUR()

Duration of the tone detected in the tone detection range specified by the DX_CAP ca_lowerfrq and ca_upperfrq parameters; usually the first tone of an SIT sequence (10 msec units).

ATDX_FRQHZ2()

Frequency in Hz of the tone detected in the tone detection range specified by the DX_CAP ca_lower2frq and ca_upper2frq parameters; usually the second tone of an SIT sequence.

ATDX_FRQDUR2()

Duration of the tone detected in the tone detection range specified by the DX_CAP ca_lower2frq and ca_upper2frq parameters; usually the second tone of an SIT sequence (10 msec units).

ATDX_FRQHZ3()

Frequency in Hz of the tone detected in the tone detection range specified by the DX_CAP ca_lower3frq and ca_upper3frq parameters; usually the third tone of an SIT sequence.

ATDX_FRQDUR3()

Duration of the tone detected in the tone detection range specified by the DX_CAP ca_lower3frq and ca_upper3frq parameters; usually the third tone of an SIT sequence (10 msec units).

7.15.4 Global Tone Detection Tone Memory Usage

The information in this section does not apply to DM3 boards.

If you use call progress analysis to identify the tri-tone SIT sequences, call progress analysis will create tone detection templates internally, and this will reduce the number of tone templates that can be created using Global Tone Detection functions. See [Chapter 13, “Global Tone Detection and Generation, and Cadenced Tone Generation”](#) for information relating to memory usage for Global Tone Detection.

Call progress analysis will create one tone detection template for each single-frequency tone with a 100 Hz detection range. For example, if detecting the set of tri-tone SIT sequences (three frequencies) on each of four channels, the number of allowable user-defined tones will be reduced by three per channel.

If you initiate call progress analysis and there is not enough memory to create the SIT tone detection templates internally, you will get a CR_MEMERR error. This indicates that you are trying to exceed the maximum number of tone detection templates. The tone detection range should be limited to a maximum of 100 Hz per tone to reduce the chance of exceeding the available memory.

7.15.5 Frequency Detection Errors

The information in this section does not apply to DM3 boards, as the DX_CAP fields mentioned in this section are not supported on DM3 boards.

The frequency detection range specified by the lower and upper bounds for each tone cannot overlap; otherwise, an error will be produced when the driver attempts to create the internal tone detection templates. For example, if ca_upperfrq is 1000 and ca_lower2frq is also 1000, an overlap occurs and will result in an error. Also, the lower bound of each frequency detection range must be less than the upper bound (for example, ca_lower2frq must be less than ca_upper2frq).

7.15.6 Setting Single Tone Frequency Detection Parameters

The information in this section does not apply to DM3 boards, as the DX_CAP fields mentioned in this section are not supported on DM3 boards.

The following paragraphs describe how to set single tone frequency detection on Springware boards.

Setting single tone frequency detection parameters allows you to identify that a SIT sequence was encountered because one of the tri-tones in the SIT sequence was detected. But frequency detection cannot determine exactly which SIT sequence was encountered, because it is necessary to identify two tones in the SIT sequence to distinguish among the four possible SIT sequences.

The default frequency detection range is 900-1000 Hz, which is set to detect the first tone in any SIT sequence. Because the first tone is often truncated, you may want to increase ca_upperfrq to 1800 Hz so that it includes the third tone. If this results in too many false detections, you can set frequency detection to detect only the third tone by setting ca_lowerfrq to 1750 and ca_upperfrq to 1800.

The following fields in the DX_CAP are used for frequency detection. Frequencies are specified in Hertz, and time is specified in 10 msec units.

ca_stdely

Start Delay: the delay after dialing has been completed and before starting frequency detection. This parameter also determines the start of cadence detection. Default: 25 (10 msec units).

ca_lowerfrq

lower bound for tone in Hz. Default: 900.

ca_upperfrq

upper bound for tone in Hz. Default: 1000.

ca_timefrq

time frequency. Minimum time for 1st tone in an SIT to remain in bounds. The minimum amount of time required for the audio signal to remain within the frequency detection range specified by ca_upperfrq and ca_lowerfrq for it to be considered valid. Default: 5 (10 msec units)

7.15.7 Obtaining Single Tone Frequency Information

The information in this section does not apply to DM3 boards, as the DX_CAP fields mentioned in this section are not supported on DM3 boards.

Upon detection of a frequency in the specified range, you can use the **ATDX_FRQHZ()** extended attribute function to return the frequency in Hz of the tone detected in the range specified by the DX_CAP ca_lowerfrq and ca_upperfrq parameters. The frequency returned is usually the first tone of an SIT sequence.

7.16 Cadence Detection in Basic Call Progress Analysis (Springware Only)

Cadence detection is a component of basic call progress analysis. The following topics discuss cadence detection and some of the most commonly adjusted cadence detection parameters in basic call progress analysis:

- [Overview](#)
- [Typical Cadence Patterns](#)
- [Elements of a Cadence](#)
- [Outcomes of Cadence Detection](#)
- [Setting Selected Cadence Detection Parameters](#)
- [Obtaining Cadence Information](#)

7.16.1 Overview

The cadence detection algorithm has been optimized for use in the United States standard network environment.

Caution: This discussion of cadence detection in basic call progress analysis is provided for backward compatibility purposes only. You should not develop new applications based on basic call progress analysis. Instead you should use PerfectCall call progress analysis. For information on cadence detection in PerfectCall call progress analysis, see [Section 7.11, “Call Progress Analysis Tone Detection on Springware Boards”](#), on page 65.

If your system is operating in another type of environment (such as behind a PBX), you can customize the cadence detection algorithm to suit your system through the adjustment of the cadence detection parameters.

Cadence detection analyzes the audio signal on the line to detect a repeating pattern of sound and silence, such as the pattern produced by a ringback or a busy signal. These patterns are called **audio cadences**. Once a cadence has been established, it can be classified as a single ring, a double ring, or a busy signal by comparing the periods of sound and silence to established parameters.

- Notes:**
1. Sound is referred to as **nonsilence**.
 2. The algorithm used for cadence detection is disclosed and protected under U.S. patent 4,477,698 of Melissa Electronic Labs, and other patents pending.

7.16.2 Typical Cadence Patterns

Figure 6, Figure 7, and Figure 8 show some typical cadence patterns for a standard busy signal, a standard single ring, and a double ring.

Figure 6. A Standard Busy Signal

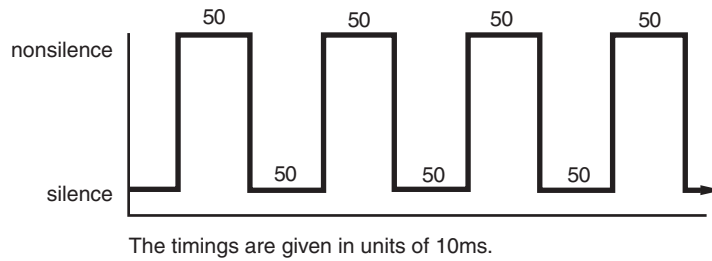


Figure 7. A Standard Single Ring

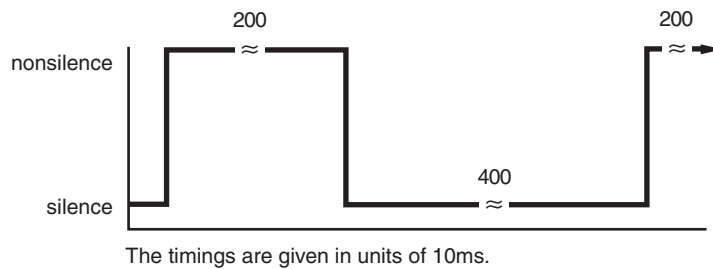
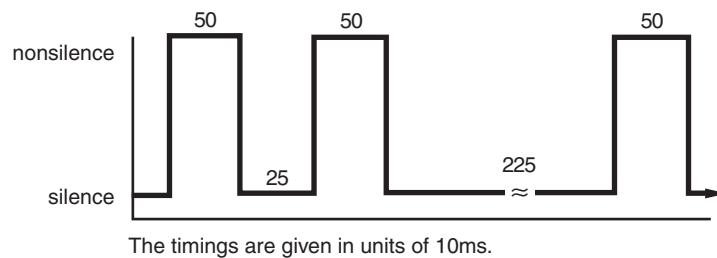


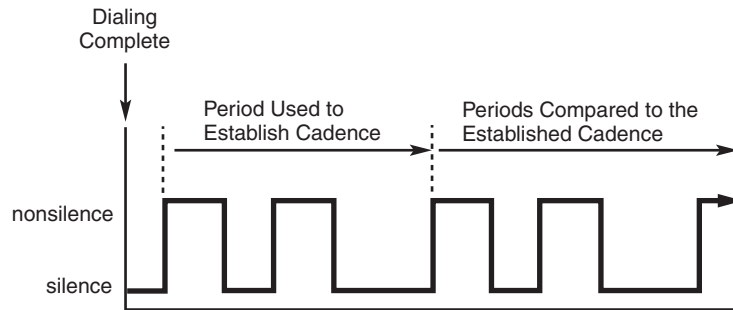
Figure 8. A Type of Double Ring



7.16.3 Elements of a Cadence

From the preceding cadence examples, you can see that a given cadence may contain two silence periods with different durations, such as for a double ring; but in general, the nonsilence periods have the same duration. To identify and distinguish between the different types of cadences, the voice driver must detect two silence and two nonsilence periods in the audio signal. Figure 9 illustrates cadence detection.

Figure 9. Cadence Detection



Once the cadence is established, the cadence values can be retrieved using the following extended attribute functions:

ATDX_SIZEHI()

length of the nonsilence period (in 10 msec units) for the detected cadence

ATDX_SHORTLOW()

length of the shortest silence period for the detected cadence (in 10 msec units)

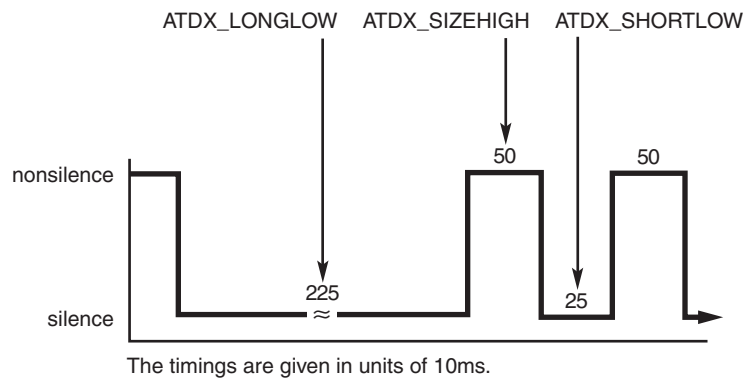
ATDX_LONGLOW()

length of the longest silence period for the detected cadence (in 10 msec units).

Only one nonsilence period is used to define the cadence because the nonsilence periods have the same duration.

Figure 10 shows the elements of an established cadence.

Figure 10. Elements of Established Cadence



The durations of subsequent states are compared with these fields to see if the cadence has been broken.

7.16.4 Outcomes of Cadence Detection

Cadence detection can identify the following conditions during the period used to establish the cadence or after the cadence has been established:

- No Ringback
- Connect
- Busy
- No Answer

Although loop current detection and positive voice detection provide complementary means of detecting a connect, cadence detection provides the only way in basic call progress analysis to detect a no ringback, busy, or no answer.

Cadence detection can identify the following conditions during the period used to establish the cadence:

No Ringback

While the cadence is being established, cadence detection determines whether the signal is continuous silence or nonsilence. In this case, cadence detection returns a **no ringback**, indicating there is a problem in completing the call.

Connect

While the cadence is being established, cadence detection determines whether the audio signal departs from acceptable network standards for busy or ring signals. In this case, cadence detection returns a **connect**, indicating that there was a “break” from general cadence standards.

Cadence detection can identify the following conditions after the cadence has been established:

Connect

After the cadence has been established, cadence detection determines whether the audio signal departs from the established cadence. In this case, cadence detection returns a **connect**, indicating that there was a break in the established cadence.

No Answer

After the cadence has been established, cadence detection determines whether the cadence belongs to a single or double ring. In this case, cadence detection can return a **no answer**, indicating there was no break in the ring cadence for a specified number of times.

Busy

After the cadence has been established, cadence detection determines whether the cadence belongs to a slow busy signal. In this case, cadence detection can return a **busy**, indicating that the busy cadence was repeated for a specified number of times.

To determine whether the ring cadence is a double or single ring, compare the value returned by the **ATDX_SHORTLOW()** function to the **DX_CAP** field **ca_lo2rmin**. If the **ATDX_SHORTLOW()** value is less than **ca_lo2rmin**, the cadence is a double ring; otherwise, it is a single ring.

7.16.5 Setting Selected Cadence Detection Parameters

Only the most commonly adjusted cadence detection parameters are discussed here. For a complete listing and description of the DX_CAP data structure, see the *Voice API Library Reference*.

You should only need to adjust cadence detection parameters for network environments that do not conform to the U.S. standard network environment (such as behind a PBX).

7.16.5.1 General Cadence Detection Parameters

The following are general cadence detection parameters in DX_CAP:

ca_stdely

Start Delay: the delay after dialing has been completed and before starting cadence detection. This parameter also determines the start of frequency detection and positive voice detection. Default: 25 (10 msec units) = 0.25 seconds.

Be careful with this variable. Setting this variable too small may allow switching transients or, if too long, miss critical signaling.

ca_higlth

High Glitch: the maximum nonsilence period to ignore. Used to help eliminate spurious nonsilence intervals. Default: 19 (in 10 msec units).

To eliminate audio signal glitches over the telephone line, the parameters ca_loglth and ca_higlth are used to determine the minimum acceptable length of a valid silence or nonsilence duration. Any silence interval shorter than ca_loglth is ignored, and any nonsilence interval shorter than ca_higlth is ignored.

ca_loglth

Low Glitch: the maximum silence period to ignore. Used to help eliminate spurious silence intervals. Default: 15 (in 10 msec units).

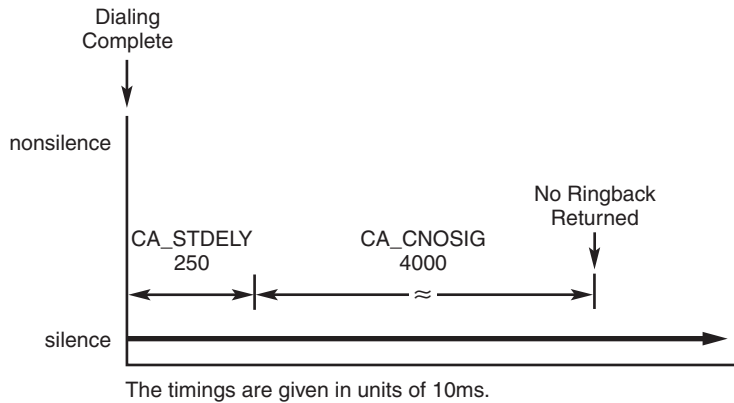
7.16.5.2 Cadence Detection Parameters Affecting a No Ringback

After cadence detection begins, it waits for an audio signal of nonsilence. The maximum waiting time is determined by the parameter ca_cnosig (continuous no signal). If the length of this period of silence exceeds the value of ca_cnosig, a **no ringback** is returned. Figure 11 illustrates this. This usually indicates a dead or disconnected telephone line or some other system malfunction.

ca_cnosig

Continuous No Signal: the maximum time of silence (no signal) allowed immediately after cadence detection begins. If exceeded, a no ringback is returned. Default: 4000 (in 10 msec units), or 40 seconds.

Figure 11. No Ringback Due to Continuous No Signal

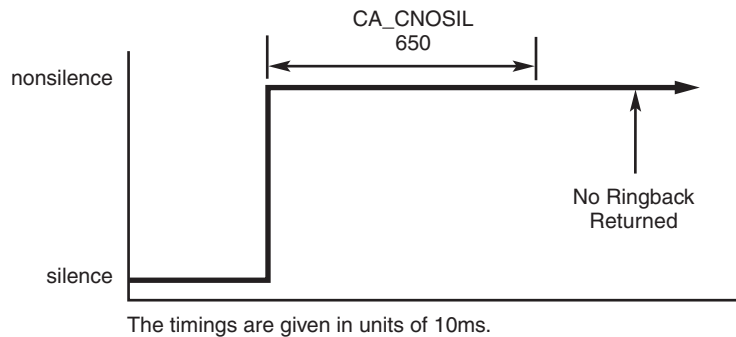


If the length of any period of nonsilence exceeds the value of ca_cnosal (continuous nonsilence), a **no ringback** is returned, shown in Figure 12.

ca_cnosal

Continuous Nonsilence: the maximum length of nonsilence allowed. If exceeded, a no ringback is returned. Default: 650 (in 10 msec units), or 6.5 seconds.

Figure 12. No Ringback Due to Continuous Nonsilence



7.16.5.3 Cadence Detection Parameters Affecting a No Answer or Busy

By using the ca_nbrdna parameter, you can set the maximum number of ring cadence repetitions that will be detected before returning a **no answer**.

By using the ca_nbrdna and ca_nsbusy parameters, you can set the maximum number of busy cadence repetitions.

ca_nbrdna

Number of Rings Before Detecting No Answer: the number of single or double rings to wait before returning a no answer. Default: 4.

ca_nsbusy

Nonsilence Busy: the number of nonsilence periods in addition to ca_nbrdna to wait before returning a busy. Default: 0. ca_nsbusy is added to ca_nbrdna to give the actual number of busy cadences at which to return busy. Note that even though ca_nsbusy is declared as an unsigned variable, it can be a small negative number.

Do not allow ca_nbrdna + ca_nsbusy to equal 2. This is a foible of the 2's complement bit mapping of a small negative number to an unsigned variable.

7.16.5.4 Cadence Detection Parameters Affecting a Connect

You can cause cadence detection to measure the length of the salutation when the phone is answered. The salutation is the greeting when a person answers the phone, or an announcement when an answering machine or computer answers the phone.

By examining the length of the greeting or salutation you receive when the phone is answered, you may be able to distinguish between an answer at home, at a business, or by an answering machine.

The length of the salutation is returned by the `ATDX_ANSRSIZ()` function. By examining the value returned, you can estimate the kind of answer that was received.

Normally, a person at home will answer the phone with a brief salutation that lasts about 1 second, such as “Hello” or “Smith Residence.” A business will usually answer the phone with a longer greeting that lasts from 1.5 to 3 seconds, such as “Good afternoon, Intel Corporation.” An answering machine or computer will usually play an extended message that lasts more than 3 or 4 seconds.

This method is not 100% accurate, for the following reasons:

- The length of the salutation can vary greatly.
- A pause in the middle of the salutation can cause a premature connect event.
- If the phone is picked up in the middle of a ringback, the ringback tone may be considered part of the salutation, making the `ATDX_ANSRSIZ()` return value inaccurate.

In the last case, if someone answers the phone in the middle of a ring and quickly says “Hello”, the nonsilence of the ring will be indistinguishable from the nonsilence of voice that immediately follows, and the resulting `ATDX_ANSRSIZ()` return value may include both the partial ring and the voice. In this case, the return value may deviate from the actual salutation by 0 to +1.8 seconds. The salutation would appear to be the same as when someone answers the phone after a full ring and says two words.

Note: A return value of 180 to 480 may deviate from the actual length of the salutation by 0 to +1.8 seconds.

Cadence detection will measure the length of the salutation when the `ca_hedge` (hello edge) parameter is set to 2 (the default).

`ca_hedge`

Hello Edge: the point at which a connect will be returned to the application, either the rising edge (immediately when a connect is detected) or the falling edge (after the end of the salutation).

1 = rising edge. 2 = falling edge. Default: 2 (connect returned on falling edge of salutation). Try changing this if the called party has to say "Hello" twice to trigger the answer event.

Because a greeting might consist of several words, call progress analysis waits for a specified period of silence before assuming the salutation is finished. The `ca_ansrdgl` (answer deglitcher) parameter determines when the end of the salutation occurs. This parameter specifies the maximum amount of silence allowed in a salutation before it is determined to be the end of the salutation. To use `ca_ansrdgl`, set it to approximately 50 (in 10 msec units).

`ca_ansrdgl`

Answer Deglitcher: the maximum silence period (in 10 msec units) allowed between words in a salutation. This parameter should be enabled only when you are interested in measuring the length of the salutation. Default: -1 (disabled).

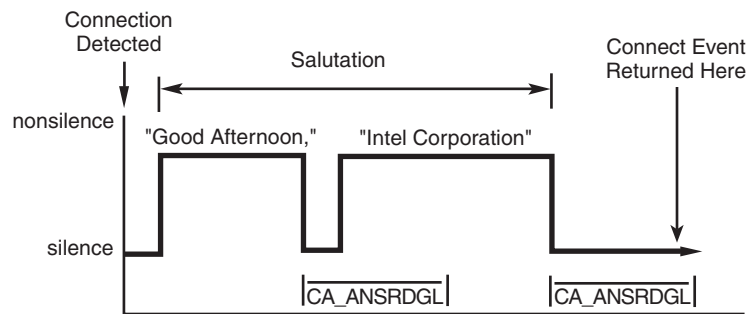
The `ca_maxansr` (maximum answer) parameter determines the maximum allowable answer size before returning a **connect**.

`ca_maxansr`

Maximum Answer: the maximum allowable length of `ansrsize`. When `ansrsize` exceeds `ca_maxansr`, a connect is returned to the application. Default: 1000 (in 10 msec units), or 10 seconds.

Figure 13 shows how the `ca_ansrdgl` parameter works.

Figure 13. Cadence Detection Salutation Processing



When `ca_hedge` = 2, cadence detection waits for the end of the salutation before returning a **connect**. The end of the salutation occurs when the salutation contains a period of silence that exceeds `ca_ansrdgl` or the total length of the salutation exceeds `ca_maxansr`. When the **connect** event is returned, the length of the salutation can be retrieved using the `ATDX_ANSRSIZ()` function.

After call progress analysis is complete, call **ATDX_ANSRSIZ()**. If the return value is less than 180 (1.8 seconds), you have probably contacted a residence. A return value of 180 to 300 is probably a business. If the return value is larger than 480, you have probably contacted an answering machine. A return value of 0 means that a **connect** was returned because excessive silence was detected. This can vary greatly in practice.

Note: When a connect is detected through positive voice detection or loop current detection, the DX_CAP parameters ca_hedge, ca_ansrdgl, and ca_maxansr are ignored.

7.16.6 Obtaining Cadence Information

The functions described in this section are not supported on DM3 boards.

To return cadence information, you can use the following extended attribute functions:

ATDX_SIZEHI()

duration of the cadence non-silence period (in 10 msec units)

ATDX_SHORTLOW()

duration of the cadence shorter silence period (in 10 msec units)

ATDX_LONGLOW()

duration of the cadence longer silence period (in 10 msec units)

ATDX_ANSRSIZ()

duration of answer if a connect occurred (in 10 msec units)

ATDX_CONNTYPE()

connection type. If **ATDX_CONNTYPE()** returns CON_CAD, the connect was due to cadence detection.

This chapter discusses playback and recording features supported by the voice library. The following topics are discussed:

• Overview of Recording and Playback	87
• Digital Recording and Playback	88
• Play and Record Functions	88
• Play and Record Convenience Functions	88
• Voice Encoding Methods	89
• G.726 Voice Coder	91
• Transaction Record	92
• Silence Compressed Record	93
• Recording with the Voice Activity Detector	95
• Streaming to Board	97
• Pause and Resume Play	99
• Echo Cancellation Resource	101

8.1 Overview of Recording and Playback

The primary voice processing operations provided by a voice board include:

- recording: digitizing and storing human voice
- playback: retrieving, converting, and playing the stored, digital information to reconstruct the human voice.

The following features related to voice recording and playback operation are documented in other chapters in this document:

- Controlling when a playback or recording terminates using I/O termination conditions is documented in [Section 6.1.2, “Setting Termination Conditions for I/O Functions”](#), on page 32.
- Controlling the speed and volume when messages are played back is documented in [Chapter 9, “Speed and Volume Control”](#).
- A method for increasing access speed for retrieving and storing voice prompts is documented in [Chapter 12, “Cached Prompt Management”](#).

8.2 Digital Recording and Playback

In digital speech recording, the voice board converts the human voice from a continuous sound wave, or analog signal, into a digital representation. The voice board does this by frequently sampling the amplitude of the sound wave at individual points in the speech signal.

The accuracy, and thus the quality, of the digital recording is affected by:

- the sampling rate (number of samples per second), also called digitization rate
- the precision, or resolution, of each sample (the amount of data that is used to represent 1 sample).

If the samples are taken at a greater frequency, the digital representation will be more accurate and the voice quality will be greater. Likewise, if more bits are used to represent the sample (higher resolution), the sample will be more accurate and the voice quality will be greater.

In digital speech playback, the voice board reconstructs the speech signal by converting the digitized voice back into analog voltages. If the voice data is played back at the same rate at which it was recorded, an approximation of the original speech will result.

8.3 Play and Record Functions

The C language function library includes several functions for recording and playing audio data, such as **dx_rec()**, **dx_reciottdata()**, **dx_play()**, and **dx_playiottdata()**. Recording takes audio data from a specified channel and encodes it for storage in memory, in a file on disk, or on a custom device. Playing decodes the stored audio data and plays it on the specified channel. The storage location is one factor in determining which record and play functions should be used. The storage location affects the access speed for retrieving and storing audio data.

One or more of the following data structures are used in conjunction with certain play and record functions: **DV_TPT** to specify a termination condition for the function, **DX_IOTT** to identify a source or destination for the data, and **DX_XPB** to specify the file format, data format, sampling rate, and resolution.

For detailed information about play and record functions, which are also known as I/O functions, see the *Voice API Library Reference*.

8.4 Play and Record Convenience Functions

Several convenience functions are provided to make it easier to implement play and record functionality in an application. Some examples are: **dx_playf()**, **dx_playvox()**, **dx_playwav()**, **dx_recf()**, and **dx_recvox()**. These functions are specific cases of the **dx_play()** and **dx_rec()** functions and run in synchronous mode.

For example, **dx_playf()** performs a playback from a single file by specifying the filename. The same operation can be done using **dx_play()** and specifying a **DX_IOTT** structure with only one

entry for that file. Using **dx_playf()** is more convenient for a single file playback because you do not have to set up a **DX_IOTT** structure for the one file and the application does not need to open the file. **dx_recf()** provides the same single file convenience for the **dx_rec()** function.

For a complete list of I/O convenience functions and function reference information, see the *Voice API Library Reference*.

8.5 Voice Encoding Methods

A digitized audio recording is characterized by several parameters as follows:

- the number of samples per second, or sampling rate
- the number of bits used to store a sample, or resolution
- the rate at which data is recorded or played

There are many encoding and storage schemes available for digitized voice. The voice encoding methods or data formats supported on DM3 boards are listed in Table 9.

Table 9. Voice Encoding Methods (DM3)

Digitizing Method	Sampling Rate (kHz)	Resolution (Bits)	Bit Rate (Kbps)	File Format
OKI ADPCM	6	4	24	VOX, WAVE
OKI ADPCM	8	4	32	VOX, WAVE
IMA ADPCM	8	4	32	VOX, WAVE
G.711 PCM A-law and mu-law	6	8	48	VOX, WAVE
G.711 PCM A-law and mu-law	8	8	64	VOX, WAVE
G.721	8	4	32	VOX, WAVE
Linear PCM	8	8	64	VOX, WAVE
Linear PCM	8	16	128	VOX, WAVE
Linear PCM	11	8	88	VOX, WAVE
Linear PCM	11	16	176	VOX, WAVE
TrueSpeech	8	16	8.5	VOX, WAVE
GSM 6.10 full rate (Microsoft format)	8	(value ignored)	13	VOX, WAVE
GSM 6.10 full rate (TIPHON format)	8	(value ignored)	13	VOX
G.726 bit exact	8	2	16	VOX, WAVE
G.726 bit exact	8	3	24	VOX, WAVE
G.726 bit exact	8	4	32	VOX, WAVE
G.726 bit exact	8	5	40	VOX, WAVE

Note: On DM3 boards, not all voice coders are available on all boards. The availability of a voice coder depends on the media load chosen for your board. For a comprehensive list of voice coders supported by each board, see the Release Guide for your system release. For details on media loads, see the Configuration Guide for your product family.

The voice encoding methods supported on Springware boards are listed in Table 10.

Table 10. Voice Encoding Methods (Springware)

Digitizing Method	Sampling Rate (kHz)	Resolution (Bits)	Bit Rate (Kbps)	File Format
OKI ADPCM	6	4	24	VOX, WAVE
OKI ADPCM	8	4	32	VOX, WAVE
G.711 PCM A-law and mu-law	6	8	48	VOX, WAVE
G.711 PCM A-law and mu-law	8	8	64	VOX, WAVE
Linear PCM	8	8	64	VOX, WAVE
Linear PCM	11	8	88	VOX, WAVE
Linear PCM	11	16	176	VOX, WAVE
GSM 6.10 full rate (Microsoft format)	8	(value ignored)	13	WAVE
GSM 6.10 full rate (TIPHON format)	8	(value ignored)	13	WAVE
G.726 bit exact	8	4	32	VOX

Note: On Springware boards, voice coders listed here are not available in all situations on all boards, such as for silence compressed record or speed and volume control. Whenever a restriction exists, it will be noted. For a comprehensive list of voice coders supported by each board, see the Release Guide for your system release.

8.6 G.726 Voice Coder

G.726 is an ITU-T recommendation that specifies an adaptive differential pulse code modulation (ADPCM) technique for recording and playing back audio files. It is useful for applications that require speech compression, encoding for noise immunity, and uniformity in transmitting voice and data signals.

The voice library provides support for a G.726 bit exact voice coder that is compliant with the ITU-T G.726 recommendation.

Audio encoded in the G.726 bit exact format complies with Voice Profile for Internet Messaging (VPIM), a communications protocol that makes it possible to send and receive messages from disparate messaging systems over the Internet. G.726 bit exact is the audio encoding and decoding standard supported by VPIM.

VPIM follows the little endian ordering. The 4-bit code words of the G.726 encoding must be packed into octets/bytes as follows:

- The first code word (A) is placed in the four least significant bits of the first octet, with the least significant bit (LSB) of the code word (A0) in the least significant bit of the octet.
- The second code word (B) is placed in the four most significant bits of the first octet, with the most significant bit (MSB) of the code word (B3) in the most significant bit of the octet.

- Subsequent pairs of the code words are packed in the same way into successive octets, with the first code word of each pair placed in the least significant four bits of the octet. It is preferable to extend the voice sample with silence such that the encoded value consists of an even number of code words. However, if the voice sample consists of an odd number of code words, then the last code word will be discarded.

The G.726 encoding for VPIM is illustrated here:

```

+-----+-----+-----+-----+
|B3|B2|B1|B0|A3|A2|A1|A0|
+-----+-----+-----+-----+
MSB -> | 7| 6| 5| 4| 3| 2| 1| 0| <- LSB
+-----+-----+-----+-----+
32K ADPCM / Octet Mapping

```

For more information on G.726 and VPIM, see RFC 3802 on the Internet Engineering Task Force website at <http://www.ietf.org>.

To use the G.726 voice coder, specify the coder in the DX_XPB structure. Then use **dx_playiottdata()** and **dx_reciottdata()** functions to play and record with this coder. Alternatively, you can also use **dx_playvox()** and **dx_recvox()** convenience functions.

To determine the voice resource handles used with the play and record functions, use SRL device mapper functions to return information about the structure of the system, such as a list of all physical boards in a system, a list of all virtual boards on a physical board, and a list of all subdevices on a virtual board.

See the *Voice API Library Reference* for more information on voice functions and data structures. See the *Standard Runtime Library API Library Reference* for more information on SRL functions.

8.7 Transaction Record

Transaction record enables the recording of a two-party conversation by allowing two time-division multiplexing (TDM) bus time slots from a single channel to be recorded. This feature is useful for call center applications where it is necessary to archive a verbal transaction or record a live conversation. A live conversation requires two time slots on the TDM bus, but Intel voice boards today can only record one time slot at a time. No loss of channel density is realized with this feature. Voice activity on two channels can be summed and stored in a single file, or in a combination of files, devices, and/or memory.

Note: Transaction record is not supported on all boards. For a list of board support, see the Release Guide for your system release.

On DM3 boards as well as Springware boards on Windows, use the following function for transaction record:

dx_mreciottdata()

records voice data from two channels to a data file, memory, or custom device

On Springware boards on Linux, use the following functions for transaction record:

dx_recm()

records voice data from two channels to a data file, memory, or custom device

dx_recmf()

records voice data from two channels to a single file

See the *Voice API Library Reference* for a full description of functions.

8.8 Silence Compressed Record

The silence compressed record (SCR) feature is discussed in more detail in the following topics:

- [Overview](#)
- [Enabling](#)
- [Encoding Methods Supported](#)

8.8.1 Overview

The silence compressed record feature (SCR) enables recording with silent pauses eliminated. This results in smaller recorded files with no loss of intelligibility.

On Springware boards, when the audio level is at or falls below the silence threshold for a minimum duration of time, SCR begins. When a short burst of noise (glitch) is detected, the compression does not end unless the glitch is longer than a specified period of time.

On DM3 boards, the SCR algorithm is based on energy detection and zero crossing. This SCR uses different parameters than the standard SCR. Specifically, the Pre-Compensation and De-Glitch parameters are no longer needed, and there are additional new parameters.

The SCR algorithm operates on one msec blocks of speech and uses a two-fold approach to determine whether a sample is speech or silence. Two probability of speech values are calculated using a zero crossing algorithm and an energy detection algorithm. These values are put together to calculate a combined probability of speech.

The energy detection algorithm allows you to modify the background noise threshold range. Signals above the high threshold are declared speech, and signals below the low threshold are declared silence.

Speech or silence is declared based on the previous sample, the current combined probability of speech in relation to the speech probability threshold and silence probability threshold parameters and the trailing silence parameter.

8.8.2 Enabling

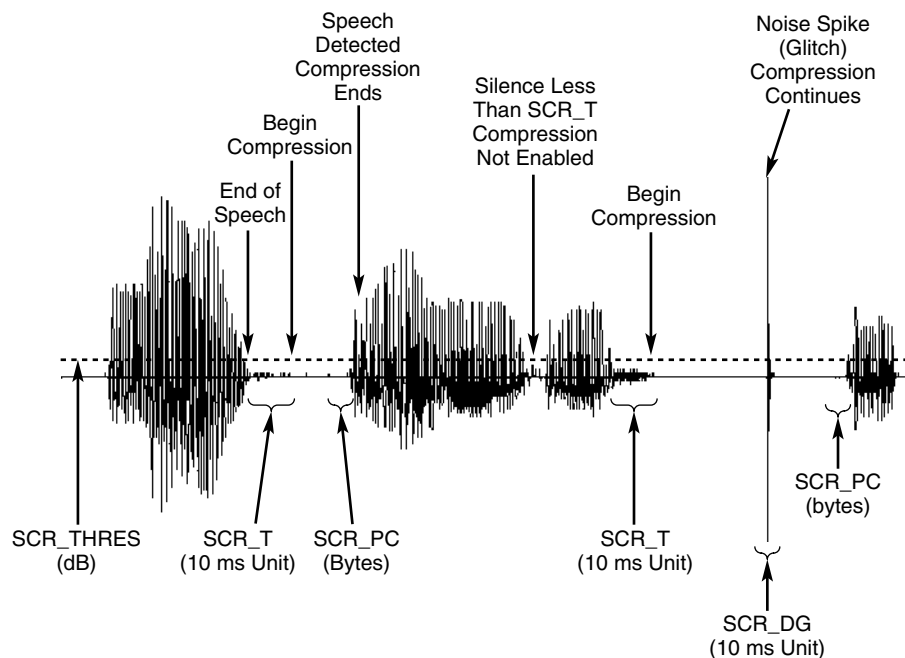
On DM3 boards, use **dx_setparm()** and the `DXCH_SCRFEATURE` define to turn silence compressed record (SCR) on and off. Once enabled, voice record functions automatically record

with SCR. For more information on modifying SCR parameters, see the *Configuration Guide* for your product or product family.

On Springware boards, you enable SCR in the *voice.prm* file which is downloaded to the board during initialization. You must edit this file and set appropriate values for the SCR parameters for use in your working environment before initializing the board. You cannot enable this feature through the voice API. After SCR is enabled in the *voice.prm* file, it is automatically activated by the use of voice record functions such as `dx_rec()`.

On Springware boards, the SCR parameters specify the silence threshold, the duration of silence at the end of speech before silence compression begins, the duration of a glitch in the line which does not stop silence compression, and more. Figure 14 illustrates how these parameters work. See the appropriate *Configuration Guide* for details of the parameters and information on how to enable and configure this feature.

Figure 14. Silence Compressed Record Parameters Illustrated



8.8.3 Encoding Methods Supported

On DM3 boards, the following encoding algorithms and sampling rates are supported in silence compressed record (SCR):

- OKI ADPCM, 6 kHz with 4-bit samples (24 kbps) and 8 kHz with 4-bit samples (32 kbps), VOX and WAVE file formats
- linear PCM, 8 kHz sampling 64 Kbps (8 bits), 8 kHz sampling 128 Kbps (16 bits), VOX and WAVE file formats

- G.711 PCM, 6 kHz with 8-bit samples (48 kbps) and 8 kHz with 8-bit samples (64 kbps) using A-law or mu-law coding, VOX and WAVE file formats
- G.721 at 8 kHz with 4-bit samples (32 kbps), VOX and WAVE file formats
- G.726 bit-exact voice coder at 8 kHz with 2-, 3-, 4-, or 5-bit samples (16, 24, 32, 40 kbps), VOX and WAVE file formats

On Springware boards, the following encoding algorithms and sampling rates are supported in SCR:

- 6 kHz and 8 kHz OKI ADPCM
- 8 kHz and 11 kHz linear PCM
- 8 kHz and 11 kHz A-law PCM
- 8 kHz and 11 kHz mu-law PCM

8.9 Recording with the Voice Activity Detector

Recording with the voice activity detector is discussed in the following topics:

- [Overview](#)
- [Enabling](#)
- [Encoding Methods Supported](#)

8.9.1 Overview

The `dx_reciottdata()` function, used to record voice data, has two modes that work with the voice activity detector. One mode enables voice activity detection with event notification upon detection. The second mode adds initial silence compression on the line before voice energy is detected; if initial silence is greater than the default allowable amount of silence, the amount in excess is eliminated. This mode uses the same algorithm as the silence compressed record (SCR) feature described in [Section 8.8, “Silence Compressed Record”](#), on page 93.

The voice activity detector (VAD) is a component in the voice software that examines the incoming signal and determines if the signal contains significant energy and is likely to be voice.

The recording modes for voice activity detection are supported on select DM3 boards only and with certain encoding methods only. For more information about boards supported and the features supported on each board, see the Release Guide for your system release. For more information about encoding methods supported, see [Section 8.8.3, “Encoding Methods Supported”](#), on page 94.

8.9.2 Enabling

The modes related to the voice activity detector are specified in the **mode** parameter of the **dx_reciottdata()** function. They are:

RM_VADNOTIFY

generates an event, TDX_VAD, on detection of voice energy during the recording operation

Note: TDX_VAD does not indicate function termination; it is an unsolicited event. Do not confuse this event with the TEC_VAD event which is used in the continuous speech processing (CSP) library.

RM_ISCR

adds initial silence compression to the VAD capability. Initial silence here refers to the amount of silence on the line *before* voice activity is detected. When using RM_ISCR, the default value for the amount of initial silence allowable is 3 seconds. Any initial silence longer than that will be eliminated to the default allowable amount. This default value can be changed by modifying a parameter in the .config file for the board and then generating a new .fcd file. The 0x416 parameter must be added in the [encoder] section of the .config file. For details on using this parameter, see the DM3 Configuration Guide.

Note: The RM_ISCR mode can only be used in conjunction with RM_VADNOTIFY.

When these two modes are used together, no data is recorded as output until voice activity is detected on the line. The TDX_VAD event indicates the initiation of voice. The output file will be empty before voice activity is detected, although some initial silence may be included as specified in the .fcd file.

To enable these modes, OR them to the **mode** parameter. For example:

```
t_Return=dx_reciottdata(DevHandle, Iott, Tpt, &t_Xpb, EV_ASYNC|RM_VADNOTIFY);
t_Return=dx_reciottdata(DevHandle, Iott, Tpt, &t_Xpb, EV_ASYNC|RM_VADNOTIFY|RM_ISCR);
```

Note: The **dx_reciottdata()** function does not perform echo-cancelled streaming. For automatic speech recognition applications, use record or streaming functions in the continuous speech processing (CSP) API library. For more information, see the *Continuous Speech Processing API Programming Guide* and *Continuous Speech Processing API Programming Guide*.

8.9.3 Encoding Methods Supported

The following encoding algorithms and sampling rates are supported for recording with the voice activity detector:

- OKI ADPCM, 6 kHz with 4-bit samples (24 kbps) and 8 kHz with 4-bit samples (32 kbps), VOX and WAVE file formats
- linear PCM, 8 kHz sampling 64 Kbps (8 bits), 8 kHz sampling 128 Kbps (16 bits), VOX and WAVE file formats
- G.711 PCM, 6 kHz with 8-bit samples (48 kbps) and 8 kHz with 8-bit samples (64 kbps) using A-law or mu-law coding, VOX and WAVE file formats
- G.721 at 8 kHz with 4-bit samples (32 kbps), VOX and WAVE file formats

- G.726 bit-exact voice coder at 8 kHz with 2-, 3-, 4-, or 5-bit samples (16, 24, 32, 40 kbps), VOX and WAVE file formats

8.10 Streaming to Board

The streaming to board feature is discussed in the following topics:

- [Streaming to Board Overview](#)
- [Streaming to Board Functions](#)
- [Implementing Streaming to Board](#)
- [Streaming to Board Hints and Tips](#)

8.10.1 Streaming to Board Overview

The streaming to board feature provides a way to stream data in real time to a network interface. Unlike the standard voice play feature (store and forward method), data can be streamed with little delay as the amount of initial data required to start the stream is configurable. The streaming to board feature is essential for applications such as text-to-speech, distributed prompt servers, and IP gateways.

The streaming to board feature uses a circular stream buffer to hold data, provides configurable high and low water mark parameters, and generates events when those water marks are reached.

The streaming to board feature is not supported on Springware boards.

8.10.2 Streaming to Board Functions

The following functions are used by the streaming to board feature:

- dx_OpenStreamBuffer()**
creates and initializes a circular stream buffer
- dx_SetWaterMark()**
sets high and low water marks for the circular stream buffer
- dx_PutStreamData()**
places data into the circular stream buffer
- dx_GetStreamInfo()**
retrieves information about the circular stream buffer
- dx_ResetStreamBuffer()**
resets internal data for a circular stream buffer
- dx_CloseStreamBuffer()**
deletes a circular stream buffer

For details on these functions, see the *Voice API Library Reference*.

8.10.3 Implementing Streaming to Board

Perform the following steps to implement streaming to board in your application:

Note: These steps do not represent every task that must be performed to create a working application but are intended as general guidelines for implementing streaming to board.

1. Decide on the size of the circular stream buffer. This value is used as input to the **dx_OpenStreamBuffer()** function. To determine the circular stream buffer size, see [Section 8.10.4, “Streaming to Board Hints and Tips”](#), on page 98.
2. Based on the circular stream buffer and the bulk queue buffer size, decide on values for the high and low water marks for the circular stream buffer. To determine high and low water mark values, see [Section 8.10.4, “Streaming to Board Hints and Tips”](#), on page 98.
3. Initialize and create a circular stream buffer using **dx_OpenStreamBuffer()**.
4. Set the high and low water marks using **dx_SetWaterMark()**.
5. Start the play using **dx_playiottdata()** or **dx_play()** in asynchronous mode with the `io_type` field in `DX_IOTT` data structure set to `IO_STREAM`.
6. Put data in the circular stream buffer using **dx_PutStreamData()**.
7. Wait for events.

The `TDX_LOWATER` event is generated every time data in the buffer falls below the low water mark. The `TDX_HIGHWATER` event is generated every time data in the buffer is above the high water mark. The application receives `TDX_LOWATER` and `TDX_HIGHWATER` events regardless of whether or not **dx_SetWaterMark()** is used in your application. These events are generated when there is a play operation with this buffer and are reported on the device that is performing the play. If there is no active play, the application will **not** receive any of these events.

`TDX_PLAY` indicates that play has completed.

8. When all files are played, issue **dx_CloseStreamBuffer()**.

8.10.4 Streaming to Board Hints and Tips

Consider the following usage guidelines when implementing streaming to board in your application:

- You can create as many circular stream buffers as needed on a channel; however, you are limited by the amount of memory on the system. You can use more than one circular stream buffer per play via the `DX_IOTT` structure. In this case, specify that the data ends in one buffer using the `STREAM_EOD` flag so that the play can process the next `DX_IOTT` structure in the chain.
- In general, the larger you define the circular stream buffer size, the better. Factors to take into consideration include the average input file size, the amount of memory on your system, the total number of channels in your system, and so on. Having an optimal circular stream buffer size results in the high and low water marks being reached less often. In a well-tuned system, the high and low water marks should rarely be reached.
- When adjusting circular stream buffer sizes, be aware that you must also adjust the high and low water marks accordingly.

- Recommendation for the high water mark: it should be based on the following:
(size of the circular stream buffer) minus (two times the size of the bulk queue buffer)
For example, if the circular stream buffer is 100 kbytes, and the bulk queue buffer size is 8 kbytes, set the high water mark to 84 kbytes. (The bulk queue buffer size is set through the **dx_setchxfercnt()** function.)
- Recommendation for the low water mark:
 - If the bulk queue buffer size is less than 8 kbytes, the low water mark should be four times the size of the bulk queue buffer size.
 - If the bulk queue buffer size is greater than 8 kbytes and less than 16 kbytes, the low water mark should be three times the size of the bulk queue buffer size.
 - If the bulk queue buffer size is greater than 16 kbytes, the low water mark should be two times the size of the bulk queue buffer size.
- When a TDX_LOWWATER event is received, continue putting data in the circular stream buffer. Remember to set STREAM_EOD flag to EOD on the last piece of data.
- When a TDX_HIGHWATER event is received, stop putting data in the circular stream buffer. If using a text-to-speech (TTS) engine, you will have to stop the engine from sending more data. If you cannot control the output of the TTS engine, you will need to control the input to the engine.
- It is recommended that you enable the TDX_UNDERRUN event to notify the application of firmware underrun conditions on the board. Specify DM_UNDERRUN in **dx_setevtmask()**.

8.11 Pause and Resume Play

The voice library provides functionality for pausing a playback and resuming a playback. This functionality is discussed in the following topics:

- [Pause and Resume Play Overview](#)
- [Pause and Resume Play Functions](#)
- [Implementing Pause and Resume Play](#)
- [Pause and Resume Play Hints and Tips](#)

8.11.1 Pause and Resume Play Overview

The pause and resume play functionality enables you to pause a play that is currently in progress and later resume the same play. The play is resumed at the exact point it was stopped without loss of data.

The pause and resume play functionality works using one of the following methods:

- using a pre-defined DTMF digit, set up similarly to speed and volume control in the DX_SVCB data structure.
- programmatically using the **dx_pause()** and **dx_resume()** functions.

All voice encoding methods available in the voice library are supported for this feature. There are no restrictions.

The pause and resume play feature is not supported on Springware boards.

8.11.2 Pause and Resume Play Functions

The following functions and data structure are used in the pause and resume play feature:

dx_pause()

pauses a play currently in progress until a subsequent **dx_resume()** is issued

dx_resume()

resumes the play that was paused using **dx_pause()**

dx_setsvcond()

sets adjustment condition for the play (in this case, a DTMF digit to pause/resume play)

DX_SVCB

data structure used by **dx_setsvcond()** to specify adjustment conditions for the play

Use these functions and data structure in conjunction with play functions, such as

dx_playiottdata() play function.

8.11.3 Implementing Pause and Resume Play

Follow these steps to implement pause and resume play in your application:

Note: These steps do not represent every task that must be performed to create a working application but are intended as general guidelines for implementing pause and resume play.

1. Decide on whether to set DTMF digits to control the pause and resume play functionality. If yes, set up the condition in the **DX_SVCB** data structure and call **dx_setsvcond()**.
2. Set up the **DX_IOTT** data structure for the play operation.
3. Set up the **DV_TPT** data structure to specify termination conditions for the play.
4. Perform play operation on the channel; for example, use **dx_playiottdata()**.
5. If you answered no to step 1, perform pause operation on the channel using **dx_pause()**.
6. If you answered no to step 1, perform resume operation on the channel using **dx_resume()**.

8.11.4 Pause and Resume Play Hints and Tips

Consider the following hints and tips when implementing pause play and resume play in your application:

- If a DTMF digit is set as a termination condition, play is terminated when this condition is met, even if a play is currently paused. That is, the termination condition takes precedence over the pause/resume condition.

For example, let's say you set the digit 2 as a termination condition on a play. If you press this digit during play or while the play is paused, the play will be terminated. The play will terminate when the DTMF termination condition is met. If play is paused, it does not wait for the play to resume. As another example, if you set 5 seconds as the termination condition on a play, the play will terminate after 5 seconds. The timer runs regardless of the paused condition.

- It does not make sense to use the same DTMF digit as a termination condition on a play and as the pause/resume condition.
- To end a paused play, use `dx_stopch()`.

8.12 Echo Cancellation Resource

The echo cancellation resource (ECR) feature is not supported on DM3 boards.

The echo cancellation resource (ECR) feature is a functional component of a voice channel. ECR is discussed in more detail in the following topics:

- [Overview of Echo Cancellation Resource](#)
- [Echo Cancellation Resource Operation](#)
- [Modes of Operation](#)
- [Echo Cancellation Resource Application Models](#)

8.12.1 Overview of Echo Cancellation Resource

The ECR feature lets you use echo cancellation on signals external to the voice channel. The echo cancellation capability becomes a system-wide resource that may be applied to any time-division multiplexing (TDM) bus PCM stream. The addition of the ECR feature allows the application to dynamically configure a voice channel as either an echo cancellation device (ECR mode) or as a standard voice processing channel (SVP mode). In ECR mode, the voice channel can dynamically perform echo cancellation on any TDM bus time slot signal external to the voice channel. In ECR mode, a portion of the standard voice functionality remains available while another portion of it becomes unavailable.

Note: The ECR feature has been replaced with the continuous speech processing (CSP) API. CSP is the preferred method for echo cancellation and should be used where available. For more information, see the *Continuous Speech Processing API Programming Guide* and *Continuous Speech Processing API Library Reference*.

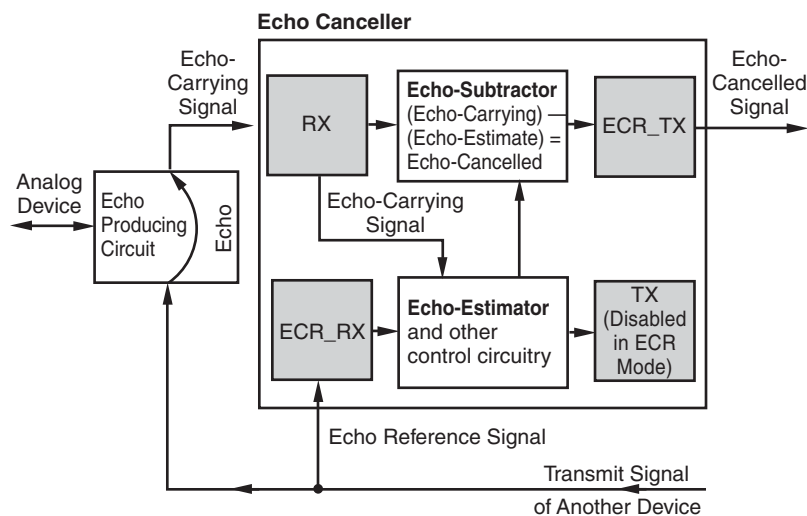
Prior to the implementation of the ECR feature in the voice library, each voice channel device had a single transmit (TX) TDM bus time slot assigned to it for data communication across the TDM bus. To connect one device to another across the TDM bus, an application would call `xx_listen()` (where `xx_` is `ag_`, `dt_`, `dx_`, or `ms_`) on one voice or network device to connect to a second device's transmit channel. Any signal transmitted by the second device on its transmit channel (TX channel) would be received by the first device's receive channel (RX channel). For a full-duplex connection, the second device would then call `xx_listen()` to connect its receive channel to the first device's transmit channel.

Throughout this section, reference is made to echo cancellation-specific terminology. See the glossary for definitions of ECR terminology.

8.12.2 Echo Cancellation Resource Operation

The echo canceller accepts two TDM bus input data streams. One stream contains data that is identical to that which was transmitted to the echo-producing circuit (Transmit Signal in Figure 15). The second stream, referred to as the *echo-carrying stream*, contains received data from this circuit. The received data typically contains a signal with two time-varying signals superimposed upon one another. One signal consists of a filtered version of the transmitted data (referred to as *echo*) and the other signal originates at the far end (referred to as *far-end speech*).

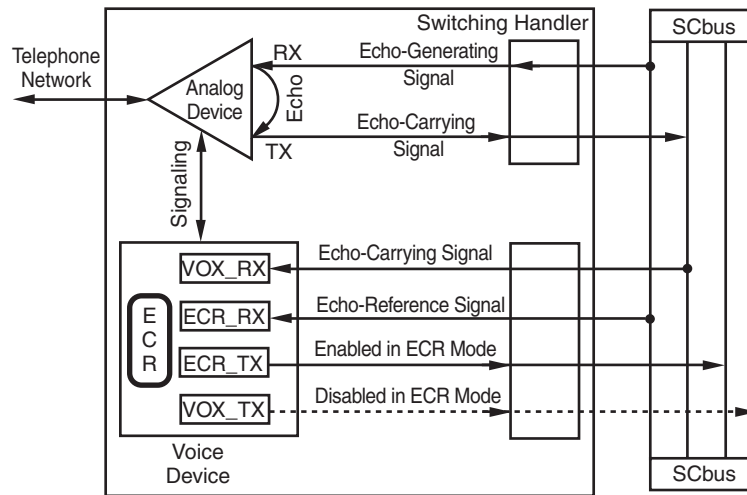
Figure 15. Echo Canceller with Relevant Input and Output Signals



The purpose of the echo canceller is to sufficiently reduce the magnitude of the echo component, such that it does not interfere with further processing or analysis of the echo-canceled data stream. The echo canceller performs this function by computing a model of the impulse response of the echo path using information in the echo-carrying signal. Then, given the impulse response model and access to the echo reference signal, the echo canceller forms an estimate of the echo. This estimate is then subtracted from the echo-carrying signal, forming a third, echo-canceled signal.

Figure 16 illustrates the signals used in the echo canceller. For echo cancellation, an extra TDM bus time slot is assigned to each voice device for use by the ECR feature. To activate ECR mode, the application must route two receive time slots to the voice channel.

Figure 16. Echo Canceller Operating over a TDM bus



Once the ECR feature is enabled on a board, each voice channel is also permanently assigned two TDM bus **transmit** time slots. These time slots are referred to as the *voice-transmit time slot* and the *echo-cancellation transmit time slot*. You can retrieve the time slot numbers for each via the **dx_getxmitslot()** and **dx_getxmitslotecr()** functions, respectively. If the ECR feature is not enabled, the channels are not assigned the echo cancellation TDM bus transmit time slots, and ECR mode is not possible on any voice channel of that board.

The function **dx_listen()** routes the echo-carrying signal to the voice device. A call to **dx_listenecr()** or **dx_listenecrex()** routes the echo reference signal to the voice channel and simultaneously activates ECR mode. The resulting echo canceller uses the echo reference signal to estimate the echo component in the echo-carrying signal, and subtracts that estimate from the echo-carrying signal. This process results in an echo-canceled signal with a greatly reduced echo component.

For another device to receive the echo-canceled signal output by the echo canceller, it calls **dx_getxmitslotecr()** to retrieve the echo canceller's transmit time-slot number, and calls **xx_listen()** (where *xx_* is *ag_*, *dt_*, *dx_*, or *ms_*) to connect its receive channel to the echo-canceled signal.

To return the voice channel to standard voice processing (SVP) mode, the application calls **dx_unlistenecr()** on the voice channel to stop the echo canceller, disable ECR mode, and disconnect the echo canceller's receive channel.

For technical information on ECR functions, see the *Voice API Library Reference*.

For examples of echo cancellation configurations, see [Section 8.12.4, "Echo Cancellation Resource Application Models"](#), on page 105.

8.12.3 Modes of Operation

The echo cancellation resource feature has two modes of operation as discussed in the following topics:

- [Overview of Modes](#)
- [Standard Voice Processing \(SVP\) Mode](#)
- [Echo Cancellation Resource \(ECR\) Mode](#)

8.12.3.1 Overview of Modes

When the ECR feature is enabled at initialization time on a supported board, there are two possible modes of operation: SVP and ECR. Until ECR mode is activated, the board operates in the Standard Voice Processing (SVP) mode, which offers default echo cancellation. The ECR mode, which provides high-performance echo cancellation, can be dynamically activated or deactivated on any voice channel of the enabled board.

To enable ECR mode, set `EC_Resource` to ON in the `.cfg` file or in the configuration manager (DCM) (Windows only) when configuring the board.

8.12.3.2 Standard Voice Processing (SVP) Mode

All voice channels are initially in the SVP mode with the default echo cancellation for ECR feature-enabled boards. The SVP mode utilizes a 48 tap (6 ms) echo canceller. In SVP mode, all voice functions operate as usual, with one exception. If a channel in SVP mode is playing a file and listening (via a `dx_listen()` function), then playback transmits data on both the standard voice-transmit time slot and the echo-cancellation transmit time slot. The standard voice-transmit time slot carries the play signal. The echo cancellation time slot carries an echo-canceled version of the signal from the receive time slot. This echo-canceled signal is derived from the original play signal (the echo reference) and the signal from the receive time slot specified in the `dx_listen()` function (the echo carrying signal).

8.12.3.3 Echo Cancellation Resource (ECR) Mode

Any voice channel can be placed into ECR mode via the `dx_listenecr()` or `dx_listenecrex()` function on an ECR feature-enabled board. When a voice channel is placed in ECR mode, the echo reference TDM bus time slot is specified and the high performance echo canceller is activated. The ECR mode supplies 128 tap (16 ms) echo cancellation.

When an echo carrying signal is provided as an input to the ECR by an associated `dx_listen()` function, an echo-canceled version of that signal is produced on the echo-cancellation TDM bus time slot. If no echo carrying signal is defined, the contents of the echo-cancellation transmit time slot are undefined and unpredictable. Other characteristics of the echo canceller can be set if the

ECR mode is activated using the **dx_listenecrex()** function. For technical information on ECR functions, see the *Voice API Library Reference*.

Note: **dx_listen()** may precede or follow the **dx_listenecr()** or **dx_listenecrex()** function. If multiple **dx_listen()** and **dx_listenecr()** or **dx_listenecrex()** function calls are issued against a single channel, the echo cancellation operates on the last two issued. Successive **dx_listenecr()** or **dx_listenecrex()** functions can be issued without requiring any **dx_unlistenecr()** between them.

While a channel is in ECR mode, a number of standard voice operations are not available. The unavailable operations include the following:

- play
- record (8 kHz PCM record is the only supported record encoding when a channel is in the ECR mode. Any such 8 kHz PCM record is a recording of the echo-canceled signal.)
- dial
- tone generation
- R2/MF
- transaction record

If a channel is actively performing any of the above operations, a **dx_listenecr()** or **dx_listenecrex()** function is not performed, and the function returns an error to the application. Conversely, if a channel is in ECR mode, a request for any of these operations is not honored, except for the record noted. A channel may be returned to SVP mode dynamically via the **dx_unlistenecr()** function.

8.12.4 Echo Cancellation Resource Application Models

Two application models are provided in this section to illustrate building an echo-canceled connection via the TDM bus:

- [How to Set Up the ECR Bridge](#)
- [How to Set Up an ECR Play Over the TDM bus](#)

8.12.4.1 How to Set Up the ECR Bridge

This application model uses two Modular Station Interface (MSI/SC) station devices connected via the TDM bus to two voice channel devices. The voice channel devices are operating in ECR mode. Two telephones ([Figure 17, “ECR Bridge Example Diagram”](#), on page 106) are connected to the MSI/SC stations for providing input and for listening to the echo-canceled output of each voice device.

Perform the following to set up an ECR bridge:

1. Get TDM bus transmit time slots of both MSI/SC devices and the ECR transmit time slots of the two voice channel devices.

```
ms_getxmitslot (MS1, &MS1_TX);
ms_getxmitslot (MS2, &MS2_TX);
dx_getxmitslotecr (CH1, &CH1_ECR_TX);
dx_getxmitslotecr (CH2, &CH2_ECR_TX);
```

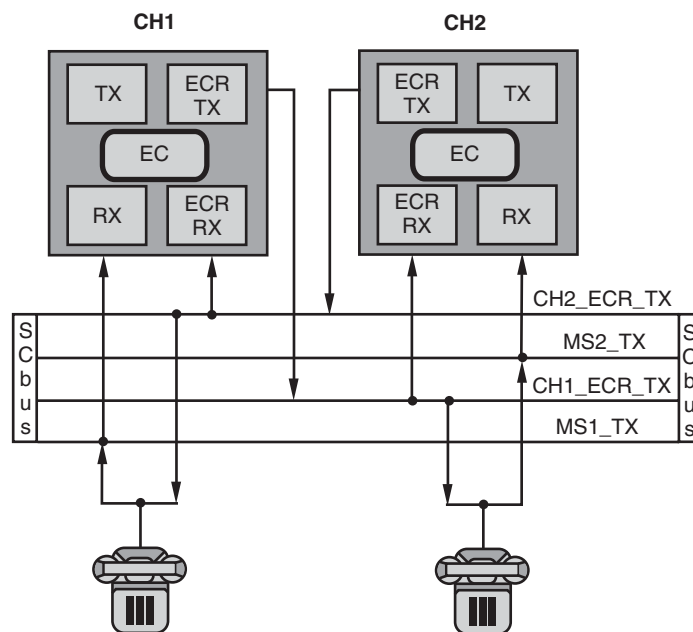
2. Have both MSI/SC stations listen to the ECR transmit of the opposite voice channel.


```
ms_listen (MS1, &CH2_ECR_TX);
ms_listen (MS2, &CH1_ECR_TX);
```
3. Have both voice channel devices listen to their corresponding MSI/SC station device.


```
dx_listen (CH1, &MS1_TX);
dx_listen (CH2, &MS2_TX);
```
4. Have each voice channel connect its echo canceller's receive time slot to the opposite echo canceller's ECR transmit. These signals are used as echo reference signals.


```
dx_listenecr (CH1, & CH2_ECR_TX);
dx_listenecr (CH2, & CH1_ECR_TX);
```

Figure 17. ECR Bridge Example Diagram



Example

```
#include <stdio.h>
#include <windows.h> /* Windows applications only */
#include <srllib.h>
#include <dxxplib.h>
#include <msilib.h>
#include <errno.h> /* Linux applications only */

main()
{
    int chdev1, chdev2; /* Voice channel device handles */
    int msdev1, msdev2; /* MSI/SC station device handles */
    SC_TSINFO sc_tsinfo; /* TDM bus time slot information structure */
    long scets; /* Pointer to TDM bus time slot */
    long ms1txts, ms2txts, /* Transmit time slots of stations 1 & 2 */
    ch1ecrtxts, ch2ecrtxts; /* Transmit time slots of echo-cancellers on voice channels 1 & 2 */
```

```

/* Open voice board 1 channel 1 device */
if ((chdev1 = dx_open("dxxxB1C1", 0)) == -1) {
    printf("Cannot open channel dxxxB1C1.  errno = %d", errno);
    exit(1);
}
/* Open voice board 1 channel 2 device */
if ((chdev2 = dx_open("dxxxB1C2", 0)) == -1) {
    printf("Cannot open channel dxxxB1C2.  errno = %d", errno);
    exit(1);
}
/* Open MSI/SC board 1 station 1 device */
if ((msdev1 = ms_open("msiB1C1", 0)) == -1) {
    printf("Cannot open station msiB1C1.  errno = %d", errno);
    exit(1);
}
/* Open MSI/SC board 1 station 2 device */
if ((msdev2 = ms_open("msiB1C2", 0)) == -1) {
    printf("Cannot open station msiB1C2.  errno = %d", errno);
    exit(1);
}

/* Initialize a TDM bus time slot information */
sc_tsinfo.sc_numts = 1;
sc_tsinfo.sc_tsarrayp = &scts;

/* Get TDM bus time slot connected to transmit of MSI/SC station 1 on board 1 */
if (ms_getxmitslot(msdev1, &sc_tsinfo) == -1) {
    printf("Error message = %s, on %s", ATDV_ERRMSGP(msdev1), ATDV_NAMEP(msdev1));
    exit(1);
}
ms1txts = scts;

/* Get TDM bus time slot connected to transmit of MSI/SC station 2 on board 1 */
if (ms_getxmitslot(msdev2, &sc_tsinfo) == -1) {
    printf("Error message = %s, on %s", ATDV_ERRMSGP(msdev2), ATDV_NAMEP(msdev2));
    exit(1);
}
ms2txts = scts;

/* Get TDM bus time slot connected to transmit of voice channel 1 on board 1 */
if (dx_getxmitslotecr(chdev1, &sc_tsinfo) == -1) {
    printf("Error message = %s, on %s", ATDV_ERRMSGP(chdev1), ATDV_NAMEP(chdev1));
    exit(1);
}
ch1ecrtxts = scts;

/* Get TDM bus time slot connected to transmit of voice channel 2 on board 1 */
if (dx_getxmitslotecr(chdev2, &sc_tsinfo) == -1) {
    printf("Error message = %s, on %s", ATDV_ERRMSGP(chdev2), ATDV_NAMEP(chdev2));
    exit(1);
}
ch2ecrtxts = scts;

/* Have MSI/SC station 1 listen to channel 2's echo-cancelled transmit */
if (ms_listen(msdev1, &sc_tsinfo) == -1) {
    printf("Error message = %s, on %s", ATDV_ERRMSGP(msdev1), ATDV_NAMEP(msdev1));
    exit(1);
}

scts = ch1ecrtxts;

/* Have MSI/SC station 2 listen to channel 1's echo-cancelled transmit */
if (ms_listen(msdev2, &sc_tsinfo) == -1) {
    printf("Error message = %s, on %s", ATDV_ERRMSGP(msdev2), ATDV_NAMEP(msdev2));
    exit(1);
}

```

```

scts = ms1txts;

/* Have channel 1 listen to station 1's transmit */
if (dx_listen(chdev1, &sc_tsinfo) == -1) {
    printf("Error message = %s, on %s", ATDV_ERRMSGP(chdev1), ATDV_NAMEP(chdev1));
    exit(1);
}

scts = ms2txts;

/* Have channel 2 listen to station 2's transmit */
if (dx_listen(chdev2, &sc_tsinfo) == -1) {
    printf("Error message = %s, on %s", ATDV_ERRMSGP(chdev2), ATDV_NAMEP(chdev2));
    exit(1);
}

scts = ch2ecrtxts;

/* Have channel 1's echo-canceller listen to channel 2's echo-cancelled transmit */
if (dx_listenecr(chdev1, &sc_tsinfo) == -1) {
    printf("Error message = %s, on %s", ATDV_ERRMSGP(chdev1), ATDV_NAMEP(chdev1));
    exit(1);
}

scts = ch1ecrtxts;

/* Have channel 2's echo-canceller listen to channel 1's echo-cancelled transmit */
if (dx_listenecr(chdev2, &sc_tsinfo) == -1) {
    printf("Error message = %s, on %s", ATDV_ERRMSGP(chdev2), ATDV_NAMEP(chdev2));
    exit(1);
}
/* Bridge connected, both stations receive echo-cancelled signal */

/*
 *
 * Continue
 *
 */

/* Then perform xx_unlisten() and dx_unlistenecr(), plus all necessary xx_close()s */

if (ms_unlisten(msdev2) == -1) {
    printf("Error message = %s, on %s", ATDV_ERRMSGP(msdev2), ATDV_NAMEP(msdev2));
    exit(1);
}
if (ms_unlisten(msdev1) == -1) {
    printf("Error message = %s, on %s", ATDV_ERRMSGP(msdev1), ATDV_NAMEP(msdev1));
    exit(1);
}
if (dx_unlistenecr(chdev2) == -1) {
    printf("Error message = %s, on %s", ATDV_ERRMSGP(chdev2), ATDV_NAMEP(chdev2));
    exit(1);
}
if (dx_unlistenecr(chdev1) == -1) {
    printf("Error message = %s, on %s", ATDV_ERRMSGP(chdev1), ATDV_NAMEP(chdev1));
    exit(1);
}
if (dx_unlisten(chdev2) == -1) {
    printf("Error message = %s, on %s", ATDV_ERRMSGP(chdev2), ATDV_NAMEP(chdev2));
    exit(1);
}
if (dx_unlisten(chdev1) == -1) {
    printf("Error message = %s, on %s", ATDV_ERRMSGP(chdev1), ATDV_NAMEP(chdev1));
    exit(1);
}
if (dx_close(chdev1) == -1) {
    printf("Error message = %s, on %s", ATDV_ERRMSGP(chdev1), ATDV_NAMEP(chdev1));

```

```

        exit(1);
    }
    if (dx_close(chdev2) == -1) {
        printf("Error message = %s, on %s", ATDV_ERRMSGP(chdev2), ATDV_NAMEP(chdev2));
        exit(1);
    }
    if (ms_close(msdev1) == -1) {
        printf("Error message = %s, on %s", ATDV_ERRMSGP(chdev1), ATDV_NAMEP(chdev1));
        exit(1);
    }
    if (ms_close(msdev2) == -1) {
        printf("Error message = %s, on %s", ATDV_ERRMSGP(msdev2), ATDV_NAMEP(msdev2));
        exit(1);
    }
    return(0);
}

```

8.12.4.2 How to Set Up an ECR Play Over the TDM bus

In this model, two MSI/SC station devices are connected via the TDM bus to two voice channel devices. The second voice channel device is operating in ECR mode. Two telephones are connected to the MSI/SC stations for providing input and listening to the echo-cancelled output of the second voice device, and to the non-echo-cancelled output of the first voice device. See [Figure 18, “An ECR Play Over the TDM bus”](#), on page 110.

Perform the following to set up an ECR play over the TDM bus:

1. Get TDM bus transmit time slots of both MSI/SC devices and the ECR transmit time slots of the two voice channel devices.

```

ms_getxmitslot (MS1, &MS1_TX);
dx_getxmitslot (CH1, &CH1_TX);
dx_getxmitslotecr (CH2, &CH2_ECR_TX);

```

2. Have the MSI/SC station 1 listen to the transmit (TX) of channel 1.

```

ms_listen (MS1, & CH1_TX);

```

3. Have MSI/SC station 2 listen to the ECR transmit of channel 2.

```

ms_listen (MS2, & CH2_ECR_TX);

```

4. Have voice channel 2 listen to MSI/SC station 1's transmit.

```

dx_listen (CH2, & MS1_TX);

```

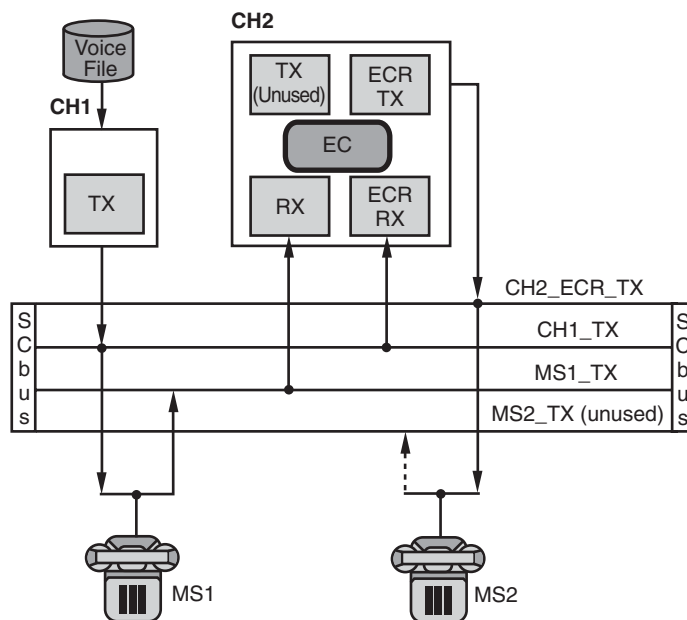
5. Have voice channel 2 connect its echo canceller's receive time slot to transmit of channel 1. This signal is used as the echo reference signal.

```

dx_listenecr (CH2, & CH1_TX);

```

Figure 18. An ECR Play Over the TDM bus



Example

```
#include <stdio.h>
#include <windows.h> /* Windows applications only */
#include <srllib.h>
#include <dxxlib.h>
#include <msilib.h>
#include <errno.h> /* Linux applications only */

mmain()
{
    int chdev1, chdev2; /* Voice channel device handles */
    int msdev1, msdev2; /* MSI/SC station device handles */
    SC_TSINFO sc_tsinfo; /* TDM bus time slot information structure */
    long scts; /* Pointer to TDM bus time slot */
    long ms1txts, /* Transmit time slots of stations 1 & 2 */
        ch1txts, ch2ecrtxts; /* Transmit time slots of echo-cancellers on
                               voice channels 1 & 2 */

    /* Open voice board 1 channel 1 device */
    if ((chdev1 = dx_open("dxxxB1C1", 0)) == -1) {
        printf("Cannot open channel dxxxB1C1. errno = %d", errno);
        exit(1);
    }
    /* Open voice board 1 channel 2 device */
    if ((chdev2 = dx_open("dxxxB1C2", 0)) == -1) {
        printf("Cannot open channel dxxxB1C2. errno = %d", errno);
        exit(1);
    }
    /* Open MSI/SC board 1 station 1 device */
    if ((msdev1 = ms_open("msiB1C1", 0)) == -1) {
        printf("Cannot open station msiB1C1. errno = %d", errno);
        exit(1);
    }
}
```

```

/* Open MSI/SC board 1 station 2 device */
if ((msdev2 = ms_open("msiB1C2", 0)) == -1) {
    printf("Cannot open station msiB1C2.  errno = %d", errno);
    exit(1);
}

/* Initialize an TDM bus time slot information */
sc_tsinfo.sc_numts = 1;
sc_tsinfo.sc_tsarrayp = &scts;

/* Get TDM bus time slot connected to transmit of voice channel 1 on board 1 */
if (ms_getxmitslot(msdev1, &sc_tsinfo) == -1) {
    printf("Error message = %s, on %s", ATDV_ERRMSGP(msdev1), ATDV_NAMEP(msdev1));
    exit(1);
}
msltxts = scts;

/* Get TDM bus time slot connected to transmit of voice channel 1 on board 1*/
if (dx_getxmitslot(chdev1, &sc_tsinfo) == -1) {
    printf("Error message = %s, on %s", ATDV_ERRMSGP(chdev1), ATDV_NAMEP(chdev1));
    exit(1);
}
chltxts = scts;

/* Get TDM bus time slot connected to transmit of voice channel 1 on board 1 */
if (dx_getxmitslotecr(chdev2, &sc_tsinfo) == -1) {
    printf("Error message = %s, on %s", ATDV_ERRMSGP(chdev2), ATDV_NAMEP(chdev2));
    exit(1);
}
ch2ecrtxts = scts;

/* Have station 1 listen to file played by voice channel 1 */
scts = chltxts;
if (ms_listen(msdev1, &sc_tsinfo) == -1) {
    printf("Error message = %s, on %s", ATDV_ERRMSGP(msdev1), ATDV_NAMEP(msdev1));
    exit(1);
}

/* Have station 2 listen to echo-cancelled output of voice channel 2 */
scts = ch2ecrtxts;
if (ms_listen(msdev2, &sc_tsinfo) == -1) {
    printf("Error message = %s, on %s", ATDV_ERRMSGP(msdev2), ATDV_NAMEP(msdev2));
    exit(1);
}

/* Have voice channel 2 listen to echo-carrying signal from station 1 */
scts = msltxts;
if (dx_listen(chdev2, &sc_tsinfo) == -1) {
    printf("Error message = %s, on %s", ATDV_ERRMSGP(chdev1), ATDV_NAMEP(chdev1));
    exit(1);
}

/* And activate the ECR feature on voice channel 2, with the echo-reference signal
coming from voice channel 1 */
scts = chltxts;
if (dx_listeneocr(chdev2, &sc_tsinfo) == -1) {
    printf("Error message = %s, on %s", ATDV_ERRMSGP(chdev2), ATDV_NAMEP(chdev2));
    exit(1);
}

/* Setup completed, any signal transmitted from channel device 1,
* will a) be received by station 1,
* b) contribute echo to the transmit of station 1,
* c) will be heard AFTER echo-cancellation (on channel 2) by
* station 2.*/

```

```
/*
.
. Continue
.
*/

/* Then perform xx_unlisten() and dx_unlistenecr(), plus all necessary xx_close()s */

if (ms_unlisten(msdev2) == -1) {
    printf("Error message = %s, on %s", ATDV_ERRMSGP(msdev2), ATDV_NAMEP(msdev2));
    exit(1);
}
if (ms_unlisten(msdev1) == -1) {
    printf("Error message = %s, on %s", ATDV_ERRMSGP(msdev1), ATDV_NAMEP(msdev1));
    exit(1);
}
if (dx_unlistenecr(chdev2) == -1) {
    printf("Error message = %s, on %s", ATDV_ERRMSGP(chdev2), TDV_NAMEP(chdev2));
    exit(1);
}
if (dx_unlisten(chdev2) == -1) {
    printf("Error message = %s, on %s", ATDV_ERRMSGP(chdev2), ATDV_NAMEP(chdev2));
    exit(1);
}
if (dx_close(chdev1) == -1) {
    printf("Error message = %s, on %s", ATDV_ERRMSGP(chdev1), ATDV_NAMEP(chdev1));
    exit(1);
}
if (dx_close(chdev2) == -1) {
    printf("Error message = %s, on %s", ATDV_ERRMSGP(chdev2), ATDV_NAMEP(chdev2));
    exit(1);
}
if (ms_close(msdev1) == -1) {
    printf("Error message = %s, on %s", ATDV_ERRMSGP(msdev1), ATDV_NAMEP(msdev1));
    exit(1);
}
if (ms_close(msdev2) == -1) {
    printf("Error message = %s, on %s", ATDV_ERRMSGP(msdev2), ATDV_NAMEP(msdev2));
    exit(1);
}
return(0);
}
```


This chapter describes how to control the speed and volume of play on a channel. The following topics are discussed:

- [Speed and Volume Control Overview](#) 113
- [Speed and Volume Convenience Functions](#) 113
- [Speed and Volume Adjustment Functions](#) 114
- [Speed and Volume Modification Tables](#) 114
- [Play Adjustment Digits](#) 118
- [Setting Play Adjustment Conditions](#) 118
- [Explicitly Adjusting Speed and Volume](#) 118

9.1 Speed and Volume Control Overview

The voice software contains functions and data structures to control the speed and volume of play on a channel. This allows an end user to control the speed or volume of a message by entering a DTMF tone, for example.

On DM3 boards, speed can be controlled on playbacks using the following encoding methods:

- OKI ADPCM 32 kbps
- G.711 PCM A-law or mu-law encoding 64 kbps
- linear PCM 64 kbps and 128 kbps

On Springware boards, speed can be controlled on playbacks using 24 kbps or 32 kbps ADPCM only.

Volume can be controlled on all playbacks regardless of the encoding algorithm. For a list of supported encoding methods, see [Section 8.5, “Voice Encoding Methods”](#), on page 89.

9.2 Speed and Volume Convenience Functions

The convenience functions set a digit that will adjust speed or volume, but do not use any data structures. These convenience functions will only function properly if you use the default settings of the speed or volume modification tables. These functions assume that the modification tables have not been modified. The convenience functions are:

dx_addspddig()

adds a digit that will modify speed by a specified amount

dx_addvoldig()

adds a digit that will modify volume by a specified amount

See the *Voice API Library Reference* for detailed information about these functions.

9.3 Speed and Volume Adjustment Functions

Speed or volume can be adjusted explicitly or can be set to adjust in response to a preset condition, such as a specific digit. For example, speed could be set to increase a certain amount when “1” is pressed on the telephone keypad. The functions used for speed and volume adjustment are:

dx_setsvcond()

Sets conditions that adjust speed or volume. Use this function to adjust speed or volume in response to a DTMF digit or start of play.

dx_adjsv()

Adjusts speed or volume explicitly. Use this function if your adjustment condition is not a digit or start of play. For example, the application could call this function after detecting a spoken word (voice recognition) or a certain key on the keyboard.

See the *Voice API Library Reference* for detailed information about these functions.

9.4 Speed and Volume Modification Tables

Each channel has a speed or volume modification table for play speed or play volume adjustments. Except for the value of the settings, the table is the same for speed and volume.

Each speed or volume modification table (SVMT) table has 21 entries, 20 that allow for a maximum of 10 increases and decreases in speed or volume. The entry in the middle of the table is referred to as the “origin” entry that represents normal speed or volume. The normal speed or volume is how playback occurs when the speed and volume control feature is not used. See [Table 11, “Default Speed Modification Table”](#), on page 116 and [Table 12, “Default Volume Modification Table”](#), on page 117.

The origin, or normal speed or volume, is the basis for all settings in the table. Typically, the origin is set to 0. Speed and volume increases or decreases by moving up or down the tables. Other entries in the table specify a speed or volume setting in terms of a deviation from normal. For example, if a speed modification table (SMT) entry is -10, this value represents a 10% decrease from the normal speed.

Although the origin is typically set to normal speed/volume, changing the setting of the origin does not affect the other settings, because all values in the SVMT are based on a deviation from normal speed/volume.

Speed and volume control adjustments are specified by moving the current speed/volume pointer in the table to another SVMT table entry; this translates to increasing or decreasing the current speed/volume to the value specified in the table entry.

A speed/volume adjustment stays in effect until the next adjustment on that channel or until a system reset.

The SVMT is like a 21-speed bicycle. You can select the gear ratio for each of the 21 speeds before you go for a ride (by changing the values in the SVMT). And you can select any gear once you are on the bike, like adjusting the current speed/volume to any setting in the SVMT.

To change the default values of the speed or volume modification table, use the **dx_setsvmt()** function, which in turn uses the DX_SVMT data structure. To return the current values of a table to the DX_SVMT structure, use **dx_getsvmt()**. The DX_SVCB data structure uses this table when setting adjustment conditions.

See the *Voice API Library Reference* for detailed information about these functions and data structures.

Adjustments to speed or volume are made by **dx_adjsv()** and **dx_setsvcond()** according to the speed or volume modification table settings. These functions adjust speed or volume to one of the following:

- a specified level (that is, to a specified absolute position in the speed table or volume table)
- a change in level (that is, by a specified number of steps up or down in the speed table or volume table)

For example, by default, each entry in the volume modification table is equivalent to 2 dB from the origin. Volume could be decreased by 2 dB by specifying position 1 in the table, or by moving one step down from the origin.

The default speed modification table is shown in Table 11.

Table 11. Default Speed Modification Table

Table Entry	Default Value (%)	Absolute Position
decrease[0]	-128 (80h)	-10
decrease[1]	-128 (80h)	-9
decrease[2]	-128 (80h)	-8
decrease[3]	-128 (80h)	-7
decrease[4]	-128 (80h)	-6
decrease[5]	-50	-5
decrease[6]	-40	-4
decrease[7]	-30	-3
decrease[8]	-20	-2
decrease[9]	-10	-1
origin	0	0
increase[0]	+10	1
increase[1]	+20	2
increase[2]	+30	3
increase[3]	+40	4
increase[4]	+50	5
increase[5]	-128 (80h)	6
increase[6]	-128 (80h)	7
increase[7]	-128 (80h)	8
increase[8]	-128 (80h)	9
increase[9]	-128 (80h)	10

Consider the following usage information on the speed modification table:

- Each entry in the table is a percentage deviation from the default play speed (“origin”). For example, the decrease[6] position reduces speed by 40%. This is four steps from the origin.
- The total speed modification range is from -50% to +50%. In this table, the lowest position used is the decrease[5] position. The remaining decrease fields are set to -128 (80h). If these “nonadjustment” positions are selected, the default action is to play at the decrease[5] speed.
- These fields can be reset, as long as no values lower than -50 are used. For example, you could spread the 50% speed decrease over 10 steps rather than 5. Similarly, you could spread the 50% speed increase over 10 steps rather than 5.
- The default entries for index values -10 to -6 and +6 to +10 are -128 which represent a null-entry. To customize the table entries, you must use the `dx_setsvmt()` function.
- On DM3 boards, when adjustment is associated with a DTMF digit, speed can be increased or decreased in increments of 1 (10%) only. To achieve an increase in speed of 30% for example, the user would press the DTMF digit three times.

The default volume modification table is shown in Table 12.

Table 12. Default Volume Modification Table

Table Entry	Default Value (dB)	Absolute Position
decrease[0]	-20	-10
decrease[1]	-18	-9
decrease[2]	-16	-8
decrease[3]	-14	-7
decrease[4]	-12	-6
decrease[5]	-10	-5
decrease[6]	-08	-4
decrease[7]	-06	-3
decrease[8]	-04	-2
decrease[9]	-02	-1
origin	0	0
increase[0]	+02	1
increase[1]	+04	2
increase[2]	+06	3
increase[3]	+08	4
increase[4]	+10	5
increase[5]	-128 (80h)	6
increase[6]	-128 (80h)	7
increase[7]	-128 (80h)	8
increase[8]	-128 (80h)	9
increase[9]	-128 (80h)	10

Consider the following usage information on the volume modification table:

- Each entry in the table is a deviation in decibels from the starting point or volume (“origin”). Each entry in the table is equivalent to 2 dB from the origin. Volume can be decreased 2 dB by specifying position 1 in the table, or by moving one step down. For example, the increase[1] position (two steps from the origin) increases volume by 4 dB.
- The total volume modification range is from -20 dB to +10 dB. In this table, the highest position utilized is the increase[4] position. The remaining increase fields are set to -128 (80h). If these “non-adjustment” positions are selected, the default action is to play at the increase[4] volume. These fields can be reset, as long as no values higher than +10 are used; for example, you could spread the 10 dB volume increase over 10 steps rather than 5.
- In the volume modification table, the default entries for index values +6 to +10 are -128 which represent a null-entry. To customize the table entries, you must use the `dx_setsvmt()` function.
- On DM3 boards, when adjustment is associated with a DTMF digit, volume can be increased or decreased in increments of 1 (2 dB) only. To achieve an increase in volume of 6 dB for example, the user would press the DTMF digit three times.

9.5 Play Adjustment Digits

The voice software processes play adjustment digits differently from normal digits:

- If a play adjustment digit is entered during playback, it causes a play adjustment only and has no other effect. This means that the digit is not added to the digit queue; it cannot be retrieved with the **dx_getdig()** function.
- On DM3 boards, digits that are used for play adjustment may also be used as a terminating condition. If a digit is defined as both, then both actions are applied upon detection of that digit.
- On Springware boards, digits that are used for play adjustment will not be used as a terminating condition. If a digit is defined as both, then the play adjustment will take priority.
- If the digit queue contains adjustment digits when a play begins and play adjustment is set to be level sensitive, the digits will affect the speed or volume and then be removed from the queue.

9.6 Setting Play Adjustment Conditions

Adjustment conditions are set in the same way for speed or volume. The following steps describe how to set conditions upon which volume should be adjusted:

1. Set up the volume modification table (if you do not want to use the defaults):
 - Set up the **DX_SVMT** structure to specify the size and number of the steps in the table.
 - Call the **dx_setsvmt()** function, which points to the **DX_SVMT** structure, to modify the volume modification table (**dx_setsvmt()** can also be used to reset the table to its default values).
2. Set up the **DX_SVCB** structure to specify the condition, the size, and the type of adjustment.
3. Call **dx_setsvcond()**, which points to an array of **DX_SVCB** structures. All subsequent plays will adjust volume as required whenever one of the conditions specified in the array occurs.

See the *Voice API Library Reference* for more information about these functions and data structures.

9.7 Explicitly Adjusting Speed and Volume

Speed and volume adjustments are made in the same way. The following steps describe how to adjust speed, but you can use exactly the same procedure for volume:

1. Set up the speed modification table (if you do not want to use the defaults):
 - Set up the **DX_SVMT** structure to specify the size and number of the steps in the table.
 - Call the **dx_setsvmt()** function, which points to the **DX_SVMT** structure, to modify the speed modification table (**dx_setsvmt()** can also be used to reset the table to its default values).
2. When required, call **dx_adjsv()** to adjust the speed modification table by specifying the size and type of the adjustment.



See the *Voice API Library Reference* for more information about these functions and data structures.



This chapter describes the Analog Display Services Interface (ADSI) protocol, two-way frequency shift keying (FSK), and guidelines for implementing ADSI and two-way FSK support using voice library functions.

- Overview of ADSI and Two-Way FSK Support 121
- ADSI Protocol 122
- ADSI Operation 123
- One-Way ADSI 123
- Two-Way ADSI 124
- Fixed-Line Short Message Service (SMS) 125
- ADSI and Two-Way FSK Voice Library Support 125
- Developing ADSI Applications 127
- Modifying Older One-Way ADSI Applications 133

10.1 Overview of ADSI and Two-Way FSK Support

The Analog Display Services Interface (ADSI) is a Telcordia Technologies (formerly Bellcore) standard that defines a protocol used to transmit data to a display-based, ADSI-compliant telephone. ADSI enables data to be sent across an analog telephone line, providing asynchronous data communications with 8 data bits, 1 start and 1 stop bit, and no parity.

For many years, one-way ADSI support was provided through the `dx_play()` and `dx_playf()` functions. This ADSI support enabled developers to use Intel telecom boards to make ADSI servers that work with ADSI phones and to support ADSI features such as visual voice mail. This is referred to as the “older” implementation of one-way ADSI.

Intel has expanded the capabilities of basic ADSI with the introduction of two-way frequency shift keying (FSK) capabilities. Two-way FSK is a convenient and robust mechanism to exchange small amounts of data between the telephone and the server using FSK as the transport layer. The two-way FSK functionality allows products to transmit and receive half-duplex FSK Bell 202 1200 bps data over the Public Switched Telephone Network (PSTN).

One of the applications of two-way FSK is fixed-line short message service, also called small message service, or SMS. (This service is also known as text messaging.) This service allows the server and display-based telephone to exchange short text messages via the PSTN.

As with basic ADSI, the transmission and reception of two-way FSK data is initiated after a call between the server and the display-based telephone (or CPE) has been established, by one of the devices sending a special alerting signal (typically a CAS tone). The other device will then

acknowledge and the data transmission (and/or reception) will then be initiated. Once the data transmission/reception is complete, the devices switch back to voice mode.

This newer implementation of ADSI is supported through the **dx_RxIottData()**, **dx_TxIottData()**, and **dx_TxRxIottData()** functions. This implementation is referred to simply as “ADSI Support” or “Two-Way ADSI.” This newer ADSI support provides for both one-way and two-way ADSI transmission and is the recommended method for implementing either one-way or two-way ADSI in an application program. The older one-way ADSI support can be used but is not recommended. Future enhancements to ADSI feature and functionality will not be made to the **dx_play()** and **dx_playf()** functions. See [Section 10.9, “Modifying Older One-Way ADSI Applications”](#), on page 133 for information on converting from the older to the newer method for using ADSI.

10.2 ADSI Protocol

ADSI is a superset of the caller ID and call waiting functions. ADSI is built on the same protocol as caller ID and shares the same ADSI Data Message Format (ADMF). The ADSI protocol requires a Bell 202/V.23 1200 bps FSK-based modem for data transmission.

The ADSI protocol supports a variable display size on a display-based telephone. An ADSI telephone can work in either voice mode or data mode. Voice mode is for normal telephone audio communication, and data mode is for transmitting ADSI commands and controlling the telephone display (voice is muted in data mode). An ADSI alert tone is used to verify that the hardware is connected to an ADSI telephone and to alert the telephone that ADSI data will be transferred.

The ADSI protocol consists of three defined layers, as follows:

message assembly layer

assembles the body of the ADMF message

data link layer

generates the checksum, which is used for error detection, and sends it to the driver

physical layer

transports the composite message via the modem to the CPE on a transparent (bit-for-bit) basis

Intel provides only the physical layer and a portion of the data link layer of the ADSI protocol. The user is responsible for creating the ADSI messages and the corresponding checksums.

The ADSI data must conform to interface requirements described in Telcordia Technologies Generic Requirements GR-30-CORE (formerly TR-NWT-000030), *Voiceband Data Transmission Interface Generic Requirements*. For information about message requirements (how the data should be displayed on the CPE), see Generic Requirements GR-1273 (formerly TR-NWT-001273), *Generic Requirements for and SPCS to Customer Premises Equipment Data Interface for Analog Display Services*. To obtain a copy of these technical references, call 1-800-521-2673 (from the U.S. and Canada) or +1-732-699-5800 (worldwide), or visit <http://www.telcordia.com>. Note that Telcordia Technologies was formerly known as Bellcore.

10.3 ADSI Operation

ADSI data is encoded using a standard 1200 baud modem specification and transmitted to the telephone on the voice channel. The voice is muted for the data transfer to occur. Responses from the ADSI telephone are mapped into DTMF sequences.

ADSI data is sent to the ADSI telephone in a message burst corresponding to a single transmission. Each message burst or transmission can contain up to 5 messages, with each message consisting of one or more ADSI commands.

The ADSI alert tone causes the ADSI telephone to switch to data mode for 1 message burst or transmission. When the transmission is complete, the ADSI phone will revert to voice mode unless the transmission contained a message with the “Switch to Data” command.

After the data is transmitted, the ADSI telephone sends an acknowledgment consisting of a DTMF “d” plus a digit from 1 to 5 indicating the number of messages in the transmission that the ADSI telephone received and understood. By obtaining this message count and comparing it with the number of messages transmitted, you can check for errors and retransmit any messages not received. (If you send 4 messages and the telephone receives 2, you must resend messages 3 and 4.)

You can send more than one transmission during a call. After the initial transmission of a call, you do not have to re-establish the handshaking (sending the alert tone or receiving the acknowledgment digit) as long as you have left the ADSI telephone in data mode using the ADSI “Switch to Data” command. This is useful for performing additional data transmissions during the same call without needing to send the alert tone or receive the acknowledgment digit for each transmission.

10.4 One-Way ADSI

One-way ADSI support enables Intel telecom boards to be used as ADSI servers and to support ADSI features such as visual voice mail. One-way ADSI allows for the one-way transmission of data from a server to a customer premises equipment (CPE) device, such as a display-based telephone. The phone (CPE) sends dual tone multi-frequency (DTMF) messages to the server, indicating whether the data was received successfully.

For a more detailed description of the one-way ADSI data transfer process, see [Section 10.8, “Developing ADSI Applications”](#), on page 127.

ADSI data can be transferred only to display-based telephones that are ADSI compliant. Check with your telephone manufacturer to find out if your telephone is a true ADSI-compliant device. An ADSI alert tone, referred to as a CAS (CPE Alerting Signal), is sent by the server to query a CPE device, such as an ADSI display phone. The device responds appropriately and, if the device is ADSI-compliant, the ADSI data transfer is initiated.

Note: ADSI-compliant phones are also referred to as “Type 3 CPE Devices” by Telcordia Technologies and by the Electronic Industry Association/Telecommunications Industry Association (EIA/TIA).

10.5 Two-Way ADSI

Two-way ADSI includes several enhancements to one-way ADSI, including two-way frequency shift keying (FSK). The following topics discuss two-way ADSI:

- [Transmit to On-Hook CPE](#)
- [Two-Way FSK](#)

10.5.1 Transmit to On-Hook CPE

The transmit to on-hook customer premises equipment (CPE) feature allows messages to be sent to an ADSI phone when the phone is either on-hook or off-hook.

This feature supports the transmission of FSK data burst messages to CPE devices that are kept in the on-hook state by either the Central Office (CO) or the PBX/KTS. This allows an ADSI/Caller ID phone to receive and potentially display messages while it is in the on-hook state. For example, ADSI phones can be configured, accessed, and downloaded with features, outside of regular business hours while the phone is on-hook, without ringing and without subscriber intervention.

Note: The transmit to on-hook CPE feature works only if the CO supports this feature.

10.5.2 Two-Way FSK

The two-way frequency shift keying (FSK) feature allows users to send and receive character or binary data at 1200 bits/second between the server and compatible devices, such as certain ADSI phones with keyboards. The two-way FSK feature supports applications such as off-line e-mail editing and sending FSK Caller ID data to a customer premises equipment (CPE) device.

FSK (frequency shift keying) is a modulation technique used to transfer data over voice lines. The basic ADSI capability supports only FSK Transmit (one-way FSK), in which an FSK message is sent from the server to an ADSI display phone, with the phone in the off-hook state. The phone (CPE) sends dual tone multi-frequency (DTMF) messages to the server. As DTMF messages are sent to the server, the effective data rate is very slow, approximately 6 characters per second maximum. This speed is satisfactory for ACK/NAK signaling but it is not usable for any bulk data transport in the inbound direction from the CPE.

FSK data reception uses a DSP-based Bell 202/V.23 low speed (1200 baud) modem receiver. A 1200 baud modem does not need to train for data transmission, and therefore is faster than a high-speed modem for short data bursts.

Two-way FSK for ADSI supports the transmission and the reception of FSK data between the server and the CPE. The server initiates the reception of data from the CPE by sending a CAS to tell the CPE to switch to data mode, followed by a message that tells the CPE to switch to peripheral mode. Once it is in peripheral mode, the CPE can send FSK messages to the server using the ADSI Data Message Format (ADMF), instead of the slower DTMF-based scheme.

See [Section 10.8, “Developing ADSI Applications”](#), on page 127 for a more detailed description of how to use library functions to develop two-way ADSI data transfer applications. For more

information about two-way FSK transmission, see Telcordia Technologies Special Report SR-3462, *A Two-Way Frequency Shift Keying Communication for the ADSI*.

In addition to features provided by basic ADSI, two-way FSK for ADSI can be used in the following applications:

- sending and receiving e-mail between display-based ADSI phones and the server
- sending FSK caller ID data to a CPE device

10.6 Fixed-Line Short Message Service (SMS)

Fixed-line short message service or SMS is a service that allows text messages to be sent and received in the PSTN network. SMS is also known as small message service or text messaging.

The voice library supports the creation of fixed-line SMS applications through the `dx_RxIottData()`, `dx_TxIottData()`, and `dx_TxRxIottData()` functions.

Fixed-line SMS solutions can be created using the standard Telcordia Technologies (formerly Bellcore) ADSI specification *or* using the ETSI-FSK specification ETSI ES 201 912.

The ETSI-FSK specification differs from the ADSI FSK specification in these ways:

- It uses a different physical layer. Settings for channel seizure and mark length differ. For more information on FSK transmission requirements, see ITU-T EN 300 659-2 specification.
- It uses different handshaking and timing specifications.

On DM3 boards, to set the voice channel to ETSI compatibility, use the two-way FSK parameters: `DXCH_FSKSTANDARD`, `DXCH_FSKCHSEIZURE`, and `DXCH_FSKMARKLENGTH`. For more information, see [Section 10.7.1, “Library Support on DM3 Boards”](#), on page 126.

On Springware boards, to set the voice channel to ETSI compatibility, specify the two-way FSK transmit framing parameters in the *voice.prm* file. For more information on these parameters, see the Configuration Guide for Springware boards.

10.7 ADSI and Two-Way FSK Voice Library Support

The voice library functions and data structures that support ADSI and two-way FSK are discussed in the following topics:

- [Library Support on DM3 Boards](#)
- [Library Support on Springware Boards](#)

10.7.1 Library Support on DM3 Boards

DM3 boards support ADSI one-way, two-way FSK, and fixed-line short message service (SMS). The following voice library functions and data structures support this functionality on DM3 boards:

dx_RxIottdata() function

Receives ADSI data on a specified channel.

dx_TxIottdata() function

Transmits ADSI data on a specified channel.

dx_TxRxIottdata() function

Starts a transmit-initiated reception of data (two-way ADSI) on a specified channel.

ADSI_XFERSTRUC data structure

Stores information for the transmission and reception of ADSI data. It is used by the **dx_RxIottdata()**, **dx_TxIottdata()**, and **dx_TxRxIottdata()** functions.

DV_TPT data structure

Specifies a termination condition for an I/O function; in this case, **dx_RxIottdata()**, **dx_TxIottdata()**, or **dx_TxRxIottdata()**. **DX_MAXDATA** termination condition in the **tp_termno** field specifies the maximum data for ADSI two-way FSK. The **tp_length** field specifies the size of data. A transmit/receive FSK session is terminated when the specified value of **FSK DX_MAXDATA** (in bytes) is transmitted/received.

ATDX_TERMMSK() function

Returns the reason for the last I/O function termination. The return value is **TM_MAXDATA** for the **DX_MAXDATA** termination condition.

dx_setparm() function

Used to set the following channel level parameters on DM3 boards:

- **DXCH_FSKINTERBLKTIMEOUT** – measured in milliseconds. This parameter specifies how long the firmware should wait for the next burst of FSK data before it can conclude that no more data will be coming and can terminate the receive session.
- **DXCH_FSKSTANDARD** – Specifies the FSK protocol standard used for transmission and reception of FSK data. The protocol standard can be set to either **DX_FSKSTDBELLCORE** (Bellcore standard) or **DX_FSKSTDETSI** (ETSI standard). The default value is **DX_FSKSTDBELLCORE**.
- **DXCH_FSKCHSEIZURE** – For a given FSK protocol standard specified in **DXCH_FSKSTANDARD**, this parameter allows the application to set the channel seizure.
- **DXCH_FSKMARKLENGTH** – For a given FSK protocol standard specified in **DXCH_FSKSTANDARD**, this parameter allows the application to set the mark length.

dx_getparm() function

Gets the current parameter settings for an open device set through **dx_setparm()**.

To determine whether your board supports FSK, use **dx_getfeaturelist()** to return information about the features supported in the **FEATURE_TABLE** structure; the **ft_misc** field, **FT_CALLERID** bit, is used to indicate FSK support on DM3 boards.

For details on these functions and data structures, see the *Voice API Library Reference*. For an example of FSK code, see the Example section for **dx_RxIottdata()**, **dx_TxIottdata()**, and **dx_TxRxIottdata()** in the *Voice API Library Reference*.

10.7.2 Library Support on Springware Boards

Springware boards support ADSI one-way, two-way FSK, and fixed-line short message service (SMS).

The following voice library functions and data structures support this functionality on Springware boards:

dx_RxIottdata() function

Receives ADSI data on a specified channel.

dx_TxIottdata() function

Transmits ADSI data on a specified channel.

dx_TxRxIottdata() function

Starts a transmit-initiated reception of data (two-way ADSI) on a specified channel.

ADSI_XFERSTRUC data structure

Stores information for the transmission and reception of ADSI data. It is used by the **dx_RxIottdata()**, **dx_TxIottdata()**, and **dx_TxRxIottdata()** functions.

DV_TPT data structure

Specifies a termination condition for an I/O function; in this case, **dx_RxIottdata()**, **dx_TxIottdata()**, or **dx_TxRxIottdata()**. DX_MAXDATA termination condition is not supported on Springware boards.

ATDX_TERMMSK() function

Returns the reason for the last I/O function termination. TM_MAXDATA is not supported on Springware boards.

To determine whether your board supports FSK, use **dx_getfeaturelist()** to return information about the features supported in the FEATURE_TABLE structure; the ft_play field, FT_ADSI bit, is used to indicate FSK support on Springware boards.

For details on these functions and data structures, see the *Voice API Library Reference*. For an example of FSK code, see the Example section for **dx_RxIottdata()**, **dx_TxIottdata()**, and **dx_TxRxIottdata()** in the *Voice API Library Reference*.

On Springware boards, two-way FSK transmit framing parameters for ETSI compatibility are set in the *voice.prm* file. For more information on these parameters, see the Configuration Guide for Springware boards.

10.8 Developing ADSI Applications

This section provides the following information on developing applications for one-way and two-way ADSI FSK:

- [Technical Overview of One-Way ADSI Data Transfer](#)
- [Implementing One-Way ADSI Using dx_TxIottData\(\)](#)
- [Technical Overview of Two-Way ADSI Data Transfer](#)
- [Implementing Two-Way ADSI Using dx_TxIottData\(\)](#)

- [Implementing Two-Way ADSI Using dx_TxRxIottData\(\)](#)

10.8.1 Technical Overview of One-Way ADSI Data Transfer

In one-way ADSI data transfer, the ADSI server sends ADSI messages to a CPE device, such as an ADSI-compliant telephone. The transactions that occur between the server and the CPE during one-way ADSI data transfer are as follows:

1. The server initiates the data transfer by sending a CPE Alerting Signal (CAS) to the CPE.
2. When the CPE receives the CAS, the device generates an ACK (DTMF 'A' signal) to the server. At this point the CPE device has switched from voice mode to data mode. (If the CPE device remains in data mode, subsequent transmissions do not require the CAS.)

Note: Only ADSI-compliant CPE devices will respond to the CAS sent by the server. Check with your manufacturer to verify that your CPE device is a true ADSI-compliant device. ADSI-compliant devices are also referred to as "Type 3 CPE Devices" by Telcordia Technologies and the EIA/TIA.
3. Upon receipt of the ACK signal, the server initiates the FSK transmission sequence. Each FSK transmission sequence can contain anywhere from 1 to 5 messages.
4. The CPE receives the FSK data and uses the checksum included within the sequence to determine the number of messages successfully received.
5. The CPE device then responds to the server with an acknowledgment digit (DTMF 'D') followed by a DTMF of '0' through '5,' which indicates the number of messages successfully received.
6. The server interprets the DTMF as follows:
 - ACK = 'D' followed by a DTMF in the range of 1 – 5
 - NAK = 'D' followed by a DTMF '0'

10.8.2 Implementing One-Way ADSI Using dx_TxlottData()

The **dx_TxIottData()** function is used to send the CAS to the CPE and implement one-way ADSI data transfer. To transfer ADSI FSK data, configure the function parameters and structures as follows:

- Set the **wType** parameter DT_ADSI.
- Configure the DX_IOTT structure with the appropriate ADSI FSK data file(s). The application is responsible for constructing the messages and checksums for each transmission.
- Set the termination conditions with the DV_TPT structure.
- Set **dwTxDataMode** within the ADSI_XFERSTRUC referenced by **lpParams** to ADSI_ALERT to generate the CAS.

The following scenario illustrates the function calls that are required to generate an initial CAS to the CPE and begin one-way ADSI data transfer.

1. Prior to executing **dx_TxIottData()**, clear the digit buffer for the desired voice channel using **dx_clrdigbuf()**.

2. Issue **dx_TxIottData()**. To generate an initial CAS to the CPE device, dwTxDataMode within ADSI_XFERSTRUC must be set to ADSI_ALERT.
3. The CAS is received by the CPE and the CPE sends an acknowledgment digit (DTMF 'A') to the voice device.

Note: If the DTMF acknowledgment digit is not received from the CPE device within 500 ms following the end of the CAS, the function will return a 0 but the termination mask returned by **ATDX_TERMMSK()** will be TM_MAXTIME to indicate an ADSI protocol error. (The function will return a -1 if a failure is due to a general transmission error.)
4. Upon receipt of the DTMF 'A' ACK, the voice device automatically transmits the data file referenced in the DX_IOTT structure.
5. After receiving the data file(s), the CPE responds with a DTMF ACK or NAK, indicating the number of messages successfully received. (The application is responsible for determining whether the message count acknowledgment matches the number of messages that were transmitted and for re-transmitting any messages.)

Note: Upon successful completion, the function terminates with a TM_EOD (end of data) termination mask returned by **ATDX_TERMMSK()**.
6. After completion of **dx_TxIottData()**, the **dx_getdig()** function retrieves the DTMF ACK sequence from the CPE device. Set the DV_TPT tp_termno field to DX_DIGTYPE to receive the DTMF string "adx," where "x" is the message count acknowledgment digit (1-5).

After the CAS is sent to the CPE, as described in the preceding scenario, the CPE is in data mode. Provided that the ADSI messages sent to the CPE instruct the CPE to remain in data mode, subsequent ADSI transmissions to the CPE do not require the CAS. To send ADSI data without the CAS, set the dwTxDataMode within the ADSI_XFERSTRUC referenced by lpParams to ADSI_NOALERT. All other settings are the same as above.

The following scenario illustrates the function calls that are required to transfer ADSI data when the CPE is already in data mode (without sending a CAS).

1. Prior to executing **dx_TxIottData()**, issue **dx_clrdigbuf()** to ensure that the voice channel digit buffer is empty.
2. Issue **dx_TxIottData()** and set dwTxDataMode within the ADSI_XFERSTRUC data structure to ADSI_NOALERT. This initiates the immediate transfer of the data file(s) referenced in the DX_IOTT structure to the CPE device.
3. After receiving the data file(s), the CPE responds with a DTMF ACK or NAK, indicating the number of messages successfully received. (The application is responsible for determining whether the message count acknowledgment matches the number of messages that were transmitted and for re-transmitting any messages.)
4. After completion of **dx_TxIottData()**, the **dx_getdig()** function retrieves the DTMF ACK sequence from the CPE device. Set the DV_TPT tp_termno field to DX_DIGTYPE to receive the DTMF string "adx," where "x" is the message count acknowledgment digit (1-5).

10.8.3 Technical Overview of Two-Way ADSI Data Transfer

In two-way ADSI data transfer, both the ADSI server and CPE device can transmit and receive ADSI data messages. The CAS is used to initiate the transfer of ADSI FSK data and to return the CPE to voice mode after the data exchange is completed.

The transactions that occur between the server and the CPE in two-way ADSI data transfer are as follows:

1. The server initiates the data transfer by sending a CPE Alerting Signal (CAS) to the CPE equipment.
2. Upon receipt of the CAS, the CPE device generates an ACK (DTMF 'A' signal) to the server. At this point the CPE device has switched from voice mode to data mode. (Once the CPE device is in data mode, subsequent FSK data transmissions do not require the CAS.)

Note: Only ADSI-compliant CPE devices will respond to the CAS sent by the server. Check with your manufacturer to verify that your CPE device is a true ADSI-compliant device. ADSI-compliant devices are also referred to as "Type 3 CPE Devices" by Telcordia Technologies.

3. When the ACK signal is received, the server initiates the FSK transmission sequence. Each FSK transmission sequence can contain anywhere from 1 to 5 messages. A "Switch to Peripheral Mode" message (using 0x0A as a 'requested peripheral' code) must be included within the FSK transmission sequence.
4. The CPE receives the FSK data and uses the checksum included within the sequence to determine the number of messages successfully received.
5. The CPE device then responds to the server with a DTMF 'D' followed by a DTMF '0' through '5' to indicate the number of messages successfully received. In addition, the CPE device acknowledges the "Switch to Peripheral Mode" message by responding with either
 - DTMF 'B,' indicating that the requested peripheral is available and on line
 - DTMF 'A,' indicating that the requested peripheral is not available
6. The server interprets the DTMF signals as follows:
 - 'D' followed by a DTMF in the range of 1 – 5 = ACK
 - 'D' followed by a DTMF '0' = NAK
 - DTMF 'B' = requested peripheral available (ready to receive and transmit ADSI data)
 - DTMF 'A' = requested peripheral unavailable (unable to transmit or receive ADSI data)

Once the CPE device has acknowledged the "Switch to Peripheral Mode" message, the CPE may transmit data to the server at any time. The server must be prepared to receive data at any time until the CPE peripheral is switched back to voice mode. To return the CPE peripheral to voice mode, the server sends a CAS to the CPE. Upon receipt of the CAS, the CPE responds with a DTMF 'A' signal. Receipt of DTMF 'A' at the server completes the return to voice mode transition.

10.8.4 Implementing Two-Way ADSI Using dx_TxIottData()

The **dx_TxIottData()** function is used to implement two-way ADSI data transfer. The **dx_TxIottData()** function transmits the CAS and the subsequent "Switch to Peripheral Mode Message" to the CPE. To transfer ADSI FSK data, set the parameters and configure the structures as described below:

- Set the **wType** parameter DT_ADSI.
- Configure the DX_IOTT structure with the appropriate ADSI FSK data file(s), including the "Switch to Peripheral Mode" message. The application is responsible for constructing the messages and checksums for each transmission.
- Set the termination conditions with the DV_TPT structure.
- Set dwTxDataMode within the ADSI_XFERSTRUC referenced by **lpParams** to ADSI_ALERT to generate the CAS.

The following scenario illustrates the function calls that are required to generate an initial CAS to the CPE and begin two-way ADSI data transfer.

1. Prior to executing **dx_TxIottData()**, clear the digit buffer for the desired voice channel using **dx_clrldigbuf()**.
2. Issue **dx_TxIottData()**. To generate an initial CAS to the CPE device, set dwTxDataMode within ADSI_XFERSTRUC data structure to ADSI_ALERT.
3. The CAS is received by the CPE and the CPE sends an acknowledgment digit (DTMF 'A') to the voice device.

Note: If the DTMF acknowledgment digit is not received from the CPE device within 500 ms following the end of the CAS, the function will return a 0 but the termination mask returned by **ATDX_TERMMSK()** will be TM_MAXTIME to indicate an ADSI protocol error. (The function will return a -1 if a failure is due to a general transmission error.)

4. Upon receipt of the DTMF 'A' ACK, the voice device automatically transmits the data file referenced in the DX_IOTT structure, which must include the "Switch to Peripheral Mode" message.
5. After receiving the data file(s), the CPE responds with a DTMF ACK or NAK, indicating the number of messages successfully received. (The application is responsible for determining whether the message count acknowledgment matches the number of messages that were transmitted and for re-transmitting any messages.)

Note: Upon successful completion, the function terminates with a TM_EOD (end of data) termination mask returned by **ATDX_TERMMSK()**.
6. The CPE responds to the "Switch to Peripheral Mode" message with either DTMF 'B' if the peripheral is available or DTMF 'A' if the peripheral is unavailable.
7. After completion of **dx_TxIottData()**, the **dx_getdig()** function retrieves the DTMF ACK sequence from the CPE device. Set the DV_TPT tp_termno parameter to DX_DIGTYPE to receive the DTMF string "adxb," where "x" is the message count acknowledgment digit (1-5). When the DTMF string is received, additional messages can be sent and received between the server and the CPE peripheral.

10.8.5 Implementing Two-Way ADSI Using `dx_TxRxIottData()`

After the two-way ADSI transmission is implemented using the `dx_TxIottData()` function, additional ADSI FSK messages are typically sent to the CPE peripheral to configure the display and soft keys. Since at this point the CPE peripheral has been configured to send data to the server, the `dx_TxRxIottData()` function should be used to send the data to the CPE and then quickly turn around and be ready to receive data from the CPE.

To transfer ADSI FSK data using `dx_TxRxIottData()`, set the function parameters and configure the structures as described below:

- Set `wType` to `DT_ADSI`.
- Configure `DX_IOTT` structures referenced by `lpTxIott` and `lpRxIott` with the appropriate ADSI FSK data files. The application is responsible for constructing the messages and checksums for each transmission.
- Set the termination conditions for the transmit and receive portions of the function with the `DV_TPT` structures referenced by `lpTxTerminations` and `lpRxTerminations`, respectively.
- Set `dwTxDataMode` and `dwRxDataMode` within the `ADSI_XFERSTRUC` referenced by `lpParams` to `ADSI_NOALERT` to transmit and receive FSK ADSI data without generation of a CAS.

The following scenario illustrates the function calls that are required to send and receive FSK ADSI data between the server and the CPE.

1. Prior to executing `dx_TxIottData()`, clear the digit buffer for the desired voice channel using `dx_clrDigbuf()`.
2. Issue `dx_TxRxIottData()` with `dwTxDataMode` and `dwRxDataMode` within `ADSI_XFERSTRUC` set to `ADSI_NOALERT`. This initiates the transmission of the data file referenced in the `DX_IOTT` structure to the CPE. The server voice channel is placed automatically in FSK ADSI data receive mode to receive data from the CPE.
3. After receiving the data file(s), the CPE responds with a DTMF ACK or NAK, indicating the number of messages successfully received. (The application is responsible for determining whether the message count acknowledgment matches the number of messages that were transmitted and for re-transmitting any messages.)
4. The server voice channel is ready and waiting for data from the CPE.
5. The CPE sends FSK ADSI data to the server. When an ADSI FSK message is successfully received or when the termination conditions set in `lpRxTerminations` are met, the `dx_TxRxIottData()` function completes.
6. After completion of `dx_TxRxIottData()`, the `dx_getdig()` function retrieves the DTMF ACK sequence for the transmit portion of the function. When the DTMF string is received, additional messages can be sent and received between the server and the CPE peripheral.
7. In another thread of execution at the server, the received message(s) are processed by the application to determine the number of messages received and the integrity of the information.

8. Issue `dx_RxIottData()` to receive messages from the CPE. This function should be issued as soon as possible because the CPE peripheral can send data to the server after a minimum of 100 msec following the completion of its transmission.

If data needs to be transmitted to the CPE when the server is waiting to receive data, issue `dx_stopch()` to terminate the current `dx_RxIottData()` function. Upon confirmation of termination of `dx_RxIottData()`, issue `dx_clrdigbuf()` to clear the voice device channel buffer, and then issue `dx_TxIottData()` to send the data to the CPE.

10.9 Modifying Older One-Way ADSI Applications

Prior to the release of the two-way ADSI, including two-way FSK, applications used the `dx_play()` function to implement one-way ADSI applications. With two-way ADSI, transmit and receive data functions are introduced for data transfer. To take advantage of on-hook ADSI transfer in a one-way ADSI application, and/or to introduce two-way FSK concepts into applications, older applications need to be modified.

Applications developed prior to the release of the two-way ADSI use the following sequence of commands to generate a CAS tone followed by transmission of an ADSI file:

```
/* Setup DX_IOTT to play from disk */
/* Setup DV_TPT for termination conditions */

/* Initiate ADSI play when DTMF 'A' is received from CPE */
parmval = DM_A;
if (dx_setparm(Voice_Device, DXCH_DTINITSET, (void *)&parmval) == -1) {
    /* Process error */
}

/* Clear digit buffer for impending ADSI protocol DTMFs */
if (dx_clrdigbuf(Voice_Device) == -1) {
    /* Process error */
}

/* Send CAS followed by ADSI data when DTMF 'A' is received */
if (dx_play(Voice_Device, &Iott_struct, &Tpt_struct, EV_SYNC | PM_ADSIALERT) == -1) {
    /* Process error */
}
```

In older applications, the use of `dx_play()` for ADSI transmission can be replaced with the specialized `dx_TxIottData()` data transfer function. The same DV_TPT and DX_IOTT are used by `dx_TxIottData()` as for `dx_play()`, however, the following additional parameters need to be configured:

wType

specifies the data type transferred. To transfer ADSI FSK data, **wType** is set to DT_ADSI

lpParams

specifies the data type specific information. To transmit CAS followed by the ADSI FSK message, dwTxDataMode within the ADSI_XFERSTRUC data structure pointed to by **lpParams** is set to ADSI_ALERT.

Using these parameters, the CAS will be transmitted and, upon receipt of DTMF 'A,' the ADSI FSK data will be sent to the CPE device.

The following sample code illustrates the use of the **dx_TxIottData()** function to generate a CAS tone and transmit an ADSI file:

```
/* Setup DX_IOTT to play from disk */
/* Setup DV_TPT for termination conditions */

/* Setup ADSI_XFERSTRUC to send CAS followed by ADSI FSK upon receipt of DTMF 'A' */
adsimode.cbSize = sizeof(adsimode);
adsimode.dwTxDataMode = ADSI_ALERT;

/* Clear digit buffer for impending ADSI protocol DTMFs */
if (dx_clrdigbuf(Voice_Device) == -1) {
    /* Process error */
}

/* Send CAS followed by ADSI data when DTMF 'A' is received */
if (dx_TxIottData(Voice_Device, &IOTT, &TPT, DT_ADSI, &adsimode, EV_SYNC) == -1) {
    /* Process error */
}
```

This chapter provides information on caller ID:

- Overview of Caller ID 135
- Caller ID Formats 135
- Accessing Caller ID Information. 137
- Enabling Channels to Use the Caller ID Feature. 138
- Error Handling 138
- Caller ID Technical Specifications 138

11.1 Overview of Caller ID

Caller Identification (caller ID) is a service provided by local telephone companies to enable the subscriber to receive information about the caller. Caller ID information can include the calling party's directory number (DN), the date and time of the call, and the calling party's subscriber name. An application can enable the caller ID feature on specific channels to process caller ID information as it is received with an incoming call. The caller ID information is transmitted using FSK (frequency shift keying) to the subscriber from the service provider (telephone company Central Office) at 1200 baud.

The functions and data structures associated with caller ID are described in the *Voice API Library Reference*.

- Notes:**
1. The information in this chapter applies to caller ID on Springware boards. Caller ID on DM3 boards is available via the Global Call API. For more information, see the Global Call Technology User's Guide for your technology.
 2. If caller ID is enabled, on-hook detection (DTMF, MF, and global tone detection) will not function.

11.2 Caller ID Formats

The following caller ID formats are supported:

CLASS (Custom Local Area Signaling Services)

a set of standards published by Bellcore (now known as Telcordia Technologies) and supported on boards with loop-start capabilities in the following formats:

- Single Data Message (SDM) format
- Multiple Data Message (MDM) format

ACLIP (Analog Calling Line Identity Presentation)

a standard used in Singapore published by the Telecommunications Authority of Singapore and supported in the following formats:

- Single Data Message (SDM) format
- Multiple Data Message (MDM) format

CLIP (Calling Line Identity Presentation)

a standard used in the United Kingdom published by British Telecommunications (BT)

JCLIP (Japanese Calling Line Identity Presentation)

a standard for “Number Display” used in Japan published by Nippon Telegraph and Telephone Corporation (NTT).

Note: JCLIP operation requires that the Japanese country-specific parameter file be installed and configured (select Japan in the Dialogic country configuration).

Caller ID information is received from the Central Office (CO) between the first and second ring for CLASS and ACLIP, and before the first ring for CLIP. This information is supported as sent by the service provider in the format types described in Table 13.

Table 13. Supported CLASS Caller ID Information

Caller ID Information	CLASS and ACLIP		CLIP	JCLIP
	SDM *	MDM **		
Frame header (indicating SDM or MDM format type)	X	X		X
Calling line's Directory Number (DN)	X	X	X	X
Date	X	X	X	
Time	X	X	X	
Calling line's subscriber name		X	X	
Calling line's DN (digits only)		X	X	
Dialed directory number (digits only)		X	X	X
Reason why caller DN is not available		X	X	X
Reason why calling subscriber name is not available		X	X	X
Indicate if the call is forwarded		X		
Indicate if the call is “long distance”		X		
Type of call (such as voice, ringback when free, message waiting call)			X	
Network Message System status (number of messages waiting)			X	
* Single Data Message ** Multiple Data Message				

Note: One or more of the caller ID features listed above may not be available from your service provider. Contact your service provider to determine the caller ID options available from your CO.

11.3 Accessing Caller ID Information

You can process caller ID information in your application in the following ways:

- For CLASS or ACLIP, the caller ID information is received from the service provider between the first and second ring. Set the ring event in the application to occur on or after the second ring. The ring event indicates reception of the CLASS or ACLIP caller ID information from the CO.
- For CLIP or JCLIP, the caller ID information is received from the service provider before the first ring. Set the ring event in the application to occur on or after the first ring. The ring event indicates reception of the CLIP caller ID information from the CO.

The caller ID information is available for the call from the moment the ring event is generated (if the ring event is set in your application as stated above) until one of the following occurs:

- If the call is answered (application channel goes off-hook), the caller ID information is available until the call is disconnected (application channel goes on-hook).
- If the call is unanswered (application channel remains on-hook), caller ID information is available until rings are no longer received from the CO (signaled by ring event, if enabled).

- Notes:**
1. If the call is answered **before** the caller ID information has been received from the CO, caller ID information will not be available to the application.
 2. If the application remains on-hook and the ring event is received **before** the caller ID information has been received from the CO, caller ID information will not be available until the beginning of the second ring.

The following voice API functions are used to access caller ID information received from the CO. These functions are not supported on DM3 boards:

dx_gtcallid()

Returns the calling line Directory Number (DN). Issue this function for applications that require only the calling line DN.

dx_gtextcallid()

Returns the requested caller ID message. Issue this function for each type of caller ID message required.

dx_wtcallid()

Waits for a specified number of rings and returns the calling station's DN. This convenience function combines the functionality of the **dx_setevtmsk()**, **dx_getevt()**, and **dx_gtcallid()** functions.

Contact your service provider to determine the caller ID options available from your CO. Based on the options provided, you can determine which caller ID function best meets the application's needs.

To determine if caller ID information has been received from the CO, before issuing a **dx_gtcallid()** or **dx_gtextcallid()**, check the event data in the **DX_EBLK** event block structure. When the ring event is received (set by the application as stated above), the event data field in the event block is bit mapped and indicates that caller ID information is available when bit 0 (LSB) is set to 1 (see the function code examples in the *Voice API Library Reference*).

11.4 Enabling Channels to Use the Caller ID Feature

During Intel Dialogic System Service startup, before the initial use of caller ID functions, the application must enable the caller ID feature on the channels requiring caller ID.

On Springware boards, caller ID is enabled by setting the DXCH_CALLID channel-based parameter to DX_CALLIDENABLE using **dx_setparm()**. The default setting is caller ID disabled, DX_CALLIDDISABLE. Caller ID on DM3 boards is available via the Global Call API. For more information, see the Global Call Technology User's Guide for your technology.

11.5 Error Handling

When the caller ID function completes, check the return code:

- If the caller ID function completes successfully, the buffer will contain the caller ID information.
- If the caller ID function fails, an error code will be returned that indicates the reason for the error. The call is still active when the error is returned.

When using the **dx_gtextcallid()** function, error codes depend upon the Message Type ID argument (**infotype**) passed to the function. All Message Types can produce an EDX_CLIDINFO error. Message Type CLIDINFO_CALLID can also produce EDX_CLIDOOA and EDX_CLIDBLK errors.

When using the **dx_gtcallid()** caller ID function, if an error is returned indicating that the caller's phone number (DN) is blocked or out of area, other information (for example, date or time) may be available by issuing the **dx_gtextcallid()** caller ID function. The information that is available, other than the caller's phone number, is determined by the CO.

11.6 Caller ID Technical Specifications

For information about caller ID technical specifications, contact the appropriate authority and request the technical references you require:

CLASS

CLASS documents are published by Telcordia Technologies (previously Bellcore). To obtain a copy of these technical references, call 1-800-521-2673 (from the U.S. and Canada) or +1-732-699-5800 (worldwide), or visit <http://www.telcordia.com>. Note that Bellcore is now known as Telcordia Technologies.

- TR-NWT-000031 (issue 4) CLASS Feature Calling Number Delivery
- TR-NWT-001188 CLASS Feature Calling Name Delivery Generic Requirements
- TR-NWT-000030 (issue 2) Voice Data Transmission Interface Generic Requirement

ACLIP

Contact the Telecommunications Authority of Singapore and Telcordia Technologies.

- TAS TS PSTN1 A-CLIP: 1994

- Bellcore specification TR-NWT-000030 (see Telcordia Technologies contact info provided in CLASS)

CLIP

Contact British Telecommunications.

- SIN (Supplier Information Note) 242 (issue 01)
- SIN (Supplier Information Note) 227 (issue 01)

JCLIP

Contact Nippon Telegraph and Telephone Corporation.

- Telephone Service Interfaces, Edition 5, Technical Reference

This chapter discusses the cached prompt management feature of the voice library. The following topics are covered:

- [Overview of Cached Prompt Management](#) 141
- [Using Cached Prompt Management](#) 141
- [Cached Prompt Management Example Code](#) 144

12.1 Overview of Cached Prompt Management

Cached prompt management is a feature that allows you to store a prompt file in the on-board memory and subsequently retrieve it from this location rather than storing and retrieving from the host computer. An advantage of this feature is that it reduces latency.

Cached prompt management is active on a board basis. A cached prompt cannot be restored to a board that has been hot swapped. A cached prompt that is created on one board is not accessible and cannot be used by other boards in the system. In addition, WAVE files cannot be played from on-board cache memory. A cached prompt will be deleted or flushed from on-board cache memory upon calling `dx_close()` on the physical board device.

The cached prompt management feature is not supported on Springware boards.

12.2 Using Cached Prompt Management

The following topics provide information on how to use cached prompt management:

- [Discovering Cached Prompt Capability](#)
- [Downloading Cached Prompts to a Board](#)
- [Playing Cached Prompts](#)
- [Recovering from Errors](#)
- [Cached Prompt Management Hints and Tips](#)

12.2.1 Discovering Cached Prompt Capability

To determine whether a device has cached prompt capability, follow these steps:

1. Call `SRLGetAllPhysicalBoards()` to return the AUID of all the physical boards in the system. AUID refers to Addressable Unique Identifier and is an opaque identifier for an important object in the system. For information on this function, see the *Standard Runtime Library API Library Reference*.

2. Call **SRLGetPhysicalBoardName()** to return the physical board name, which is in the form **brdBn**, such as brdB1. This function is passed the AUID of the board from step 1. For information on this function, see the *Standard Runtime Library API Library Reference*.
3. Call **dx_open()** with **brdBn** as the device name and get a handle to the physical board device.
4. Use **dx_play()** on a channel device with **IO_CACHED** specified in the **DX_IOTT** structure **io_type** field. If cached prompt capability is not supported, the function will return **EDX_BADPROD** error. For a description of this function, see the *Voice API Library Reference*.

12.2.2 Downloading Cached Prompts to a Board

Perform the procedure for downloading a cached prompt to a board at the start of the application or reinitialization of the board, or periodically during runtime. The steps are as follows:

1. Use **dx_getcachesize()** on the physical board handle to determine the total size of memory available on the physical board or the remaining size of cache available for cached prompts. See section [Section 12.2.1, “Discovering Cached Prompt Capability”](#), on page 141 for information on obtaining the physical board handle.
2. On Linux, use the Linux open command to open the file to be cached. On Windows, use **dx_fileopen()** to open the file to be cached.
3. After determining that enough memory is available, use **dx_cacheprompt()** on the physical board device to cache the file in the board memory.

For a description of these functions, see the *Voice API Library Reference*.

12.2.3 Playing Cached Prompts

Call **dx_play()** or **dx_playiottdata()** on a channel device to play the prompt. Specify **IO_CACHED** in the **DX_IOTT** structure **io_type** field.

If running in asynchronous mode, the **TDX_CACHEPROMPT** event indicates termination of the play function.

If playing multiple prompts from different sources, see the example code in [Section 12.3, “Cached Prompt Management Example Code”](#), on page 144 for more information.

12.2.4 Recovering from Errors

The following are some errors that may occur while *loading* a cached prompt:

- If you specify an invalid physical board handle, this produces **EDX_BADPARAM**. To avoid this situation, be sure to specify a valid physical board handle in the form **brdBn**.
- If there is an error in specifying the data source (**DX_IOTT**), this produces **EDX_BADIOTT**. To troubleshoot this error, check the **DX_IOTT** structure.

- If the combined length of data specified in the series of DX_IOTT data structures exceeds the available on-board memory, this results in the EDX_NOTENOUGHBRDMEM error. If this error occurs, none of the series of DX_IOTT is downloaded to the board.

To avoid this situation, be sure to determine that there is sufficient on-board memory available for the cached prompt using `dx_getcachesize()` before issuing a play function.

- For any other reason (including firmware) if the prompt cannot be downloaded, then EDX_SYSTEM is generated.

On Linux, if `ATDV_LASTERR()` returns EDX_SYSTEM error, check the global variable `errno` contained in `errno.h`. On Windows, if `ATDV_LASTERR()` returns EDX_SYSTEM error, call `dx_fileerrno()` to obtain the error value.

The following are some errors that may occur while *playing* a cached prompt:

- If you specify an invalid cached prompt handle, this results in EDX_BADIOTT.
- If you specify an invalid board handle, this results in EDX_BADPARM.
- If there is an error in the underlying components (such as firmware) while playing a cached prompt, then EDX_SYSTEM is generated.

12.2.5 Cached Prompt Management Hints and Tips

This section provides hints and tips on using cached prompt management.

A cached prompt will be deleted or flushed from on-board cache memory upon calling `dx_close()` on the physical board device.

Unlike disk or host memory resident prompts, cached prompts on an individual board are lost when a board is hot swapped. Since the application is aware of board insertion and removal through the Operations, Administration, and Maintenance (OA&M) API, it is responsible for re-initiating the cached prompt download sequence when the BRD_APP_RDY event is received through the event service.

The following rules govern the application's treatment of cached prompts during hot swap operations.

- Upon a hot swap removal, the application must consider all cached prompt IDs and also the physical board handle for the board to be invalid. Play operations to the board will fail.
- Upon a hot swap insertion, the application must re-download the cached prompts for the new board.

For more information on the OA&M API, on Linux, see the *OA&M API for Linux Library Reference* and *OA&M API for Linux Programming Guide*; on Windows, see the *Event Service API for Windows Operating Systems Library Reference* and *Event Service API for Windows Operating Systems Programming Guide*.

12.3 Cached Prompt Management Example Code

This example code illustrates one way to implement cached prompt management in your application. It uses the following key steps, as indicated in the comments:

1. Get the AUIDs of all physical boards in the system.
2. Get the names of all physical boards for the corresponding AUIDs.
3. Open all physical board devices.
4. Download cached prompts to a physical board, after verifying that total available cache memory is greater than total file size.
5. Play back any combination of files from multiple sources.
6. Shut down, free allocated memory, and close all opened devices.

The example code is provided next.

Note: In Linux, the device name must be in lowercase; for example, brdB1 and not BrdB1.

```
//Pseudo Application for Cached Prompts

#include "srllib.h"
#include "dxxxlib.h"
#include "malloc.h"

//System Initialization

//Step 1 Get the AUID's of all the Physical Boards in the system
AUID *pAU;
int iNumPhyBds;
long retVal;
iNumPhyBds = 0;
pAU = 0;

do
{
    free(pAU);
    pAU = iNumPhyBds ? (AUID *)malloc(iNumPhyBds * sizeof(*pAU)) : 0;
    retVal = SRLGetAllPhysicalBoards(&iNumPhyBds, pAU);
} while (ESR_INSUFBUF == retVal);

if (ESR_NOERR != retVal)
{ // do some error handling
    ...
}

//Step 2 get all the names of the physical boards for the corresponding AUID's and Step 3 - open
all the physical boards

int brdstrlen = 7;//say "brdB1"
char * szBoardName;
szBoardName = (char *) malloc (iNumPhyBds * brdstrlen * sizeof(char));
int offset=0;
int *devh;
devh = (int *)malloc(iNumPhyBds * sizeof(int));

for (int i= 0; i < iNumPhyBds; i++) {

offset = i * brdstrlen;

//Get the name of the board pointed to by the nth AUID
retval = SRLGetPhysicalBoardName(pAU[i], &brdstrlen, &szBoardName[offset]);
```



```

devh[i] = dx_open(&szBoardName[offset],0);
}

//Step 4 Download the prompts to a board after determining available cache size
int nCacheSize;
int result;
int promptHandle; /* Handle of the prompt to be downloaded */
int fd1; /* First file descriptor for file to be downloaded */
int fd2; /* Second file descriptor for file to be downloaded */
DX_IOTT iott[2]; /* I/O transfer table to download cache prompt */
int totalfilesize;

result = dx_getcachesize(&devh[0], &nCacheSize, DX_CACHEREMAINING);

fd1 = open("HELLO.VOX", O_RDONLY);          /* (Linux only) */
fd2 = open("GREETINGS.VOX", O_RDONLY);     /* (Linux only) */

fd1 = dx_fileopen("HELLO.VOX", O_RDONLY|O_BINARY, 0); /* (Windows only) */
fd2 = dx_fileopen("GREETINGS.VOX", O_RDONLY|O_BINARY, 0); /* (Windows only) */

totalfilesize = _lseek(fd1, 0L, SEEK_END);
totalfilesize += _lseek(fd2, 0L, SEEK_END);

if (nCacheSize > totalfilesize) {
/* Set up DX_IOTT */
/*This block specifies the first data file */
iott[0].io_fhandle = fd1;
iott[0].io_offset = 0;
iott[0].io_length = -1;
iott[0].io_type = IO_DEV | IO_CONT;

/*This block specifies the second data file */
iott[1].io_fhandle = fd2;
iott[1].io_offset = 0;
iott[1].io_length = -1;
iott[1].io_type = IO_DEV | IO_EOT

/* Download the prompts to the on-board memory */
int promptHandle;
int result = dx_cacheprompt(brdhd1, iott, &promptHandle, EV_SYNC);
}

//Step 4 can be carried out with different prompts as long as the total filesize is less the
available nCacheSize. Also this can be extended to other boards in the system.

//Step 5 Download any combination of files from multiple sources

int fd; /* file descriptor for file to be played */
DX_IOTT iottplay[2]; /* I/O transfer table for the play operation*/
DV_TPT tpt; /* termination parameter table */
DX_XPB xpb; /* I/O transfer parameter block */
.
.
.
/* Open channel */
if ((chdev = dx_open("dxxxB1C1",0)) == -1) {
printf("Cannot open channel\n");
/* Perform system error processing */
exit(1);
}

/* Set to terminate play on 1 digit */
tpt.tp_type = IO_EOT;
tpt.tp_termno = DX_MAXDTMF;
tpt.tp_length = 1;

```

```

tpt.tp_flags = TF_MAXDTMF;

/* Open VOX file to play -- Linux only */
if ((fd = open("HELLO.VOX",O_RDONLY)) == -1) {
printf("File open error\n");
exit(2);
}

/* Open VOX file to play -- Windows only */
if ((fd = dx_fileopen("HELLO.VOX",O_RDONLY|O_BINARY)) == -1) {
printf("File open error\n");
exit(2);
}

/* Set up DX_IOTT */
/*This block specifies a regular data file */
iottplay[0].io_fhandle = fd;
iottplay[0].io_bufp = 0;
iottplay[0].io_offset = 0;
iottplay[0].io_length = -1;
iottplay[0].io_type = IO_DEV | IO_CONT;

/*This block specifies the downloaded cached prompt */
iottplay[1].io_type = IO_CACHED | IO_EOT
iottplay[1].io_fhandle = promptHandle;
iottplay[1].io_offset = 0;
iottplay[1].io_length = -1;

/*
 * Specify VOX file format for ADPCM at 8KHz
 */
xpb.wFileFormat = FILE_FORMAT_VOX;
xpb.wDataFormat = DATA_FORMAT_DIALOGIC_ADPCM;
xpb.nSamplesPerSec = DRT_8KHZ;
xpb.wBitsPerSample = 4;

/* Start playback */
if (dx_playiottdata(chdev,iottplay,&tpt,&xpb,EV_SYNC)==-1) {
printf("Error playing file - %s\n", ATDV_ERRMSGP(chdev));
exit(4);
}
.
.
.

//Shutdown
//free allocated memory
//close opened devices
dx_close(chdev);
//loop and close all physical device handles
dx_close(devh[n]);

```

Global Tone Detection and Generation, and Cadenced Tone Generation

This chapter discusses global tone detection (GTD), global tone generation (GTG), and cadenced tone generation:

- Global Tone Detection (GTD) 147
- Global Tone Generation (GTG) 155
- Cadenced Tone Generation 157

13.1 Global Tone Detection (GTD)

Global tone detection (GTD) is described in the following sections:

- Overview of Global Tone Detection
- Global Tone Detection on DM3 Boards versus Springware Boards
- Defining Global Tone Detection Tones
- Building Tone Templates
- Working with Tone Templates
- Retrieving Tone Events
- Setting GTD Tones as Termination Conditions
- Maximum Amount of Memory for Tone Templates
- Estimating Memory
- Guidelines for Creating User-Defined Tones
- Global Tone Detection Application

13.1.1 Overview of Global Tone Detection

Global tone detection (GTD) allows you to define single or dual frequency tones for detection. The characteristics of a tone are defined in a GTD tone template. A tone template contains parameters that allow you to assign frequency bounds and cadence components. GTD can detect single and dual frequency tones by comparing all incoming sounds to the GTD tone templates. Global tone detection and GTD tones are also known as **user-defined tone detection** and **user-defined tones**.

The typical use of global tone detection is to detect single and dual frequency tones other than those automatically provided with the voice software. This includes tones outside the standard

DTMF set (0-9, a-d, *, and #), and the standard MF set (0-9, a-c, and *). GTD works simultaneously with DTMF and MF tone detection.

When GTD detects a tone, it responds by producing either a **tone event** on the event queue or a **digit** on the digit queue. The particular response depends on the GTD tone configuration.

13.1.2 Global Tone Detection on DM3 Boards versus Springware Boards

On DM3 boards, tone templates are managed internally on a board basis, while on Springware boards, tone templates are managed internally on a channel basis.

On DM3 boards, once a tone template is defined, it can be added to any number of channels for global tone detection on a physical board. The tone template is stored only once on the physical board. A counter in the tone template tracks the number of channels that are using this template; the template remains active until the very last channel of the physical board deletes the template.

On DM3 boards, the memory available for all tone templates (including call progress analysis tones and user-defined tones) is pre-allocated and fixed. It does not vary by board. Each tone template takes up the same amount of memory. However, a limitation exists on the number of tone templates that can be active at one time on a channel, due to the number of events that are generated. See [Section 13.1.10, “Guidelines for Creating User-Defined Tones”](#), on page 153 for more information.

On Springware boards, once a tone template is defined, it can be added to any number of channels for global tone detection as well. However, the tone template is stored for each channel that uses it. The memory available for tone templates on Springware boards is described in [Section 13.1.8, “Maximum Amount of Memory for Tone Templates”](#), on page 152.

13.1.3 Defining Global Tone Detection Tones

GTD tones can have an associated ASCII digit (and digit type) specified using the **digit** and **digtype** parameters in the `dx_addtone()` function. When the tone is detected, the digit is placed in the DV_DIGIT buffer and can be retrieved using the `dx_getdig()` function. When the tone is detected, either the tone event or the digit associated with the tone can be used as a termination condition to terminate I/O functions.

Termination conditions are set using the DV_TPT data structure. To terminate on multiple tones (or digits), you must specify the terminating conditions for each tone in a separate DV_TPT data structure.

For details on voice functions and data structures, see the *Voice API Library Reference*.

13.1.4 Building Tone Templates

When creating a tone template, you can define the following:

- single frequency or dual frequency (300 - 3500 Hz)
- optional ASCII digit associated with the tone template

- cadence components

Adding a tone template to a channel enables detection of a tone on that channel. Although only one tone template can be created at a time, multiple tone templates can be added to a channel. Each channel can have a different set of tone templates. Once created, tone templates can be selectively enabled or disabled.

API Library Functions

The following functions are used to build and define tone templates:

dx_bldst()

Defines a single frequency tone. Subsequent calls to **dx_addtone()** will use this tone until another tone is defined.

dx_blddt()

Defines a simple dual frequency tone. Subsequent calls to **dx_addtone()** will use this tone until another tone is defined.

Note that the boards cannot detect dual tones with frequency components closer than approximately 63 Hz. Use a single tone description to detect dual tones that are closer together than the ranges specified above.

dx_bldstcad()

Defines a simple single frequency cadence tone. Subsequent calls to **dx_addtone()** will use this tone until another tone is defined. A single frequency cadence tone has single frequency signals with specific on/off characteristics.

dx_blddtcad()

Defines a simple dual frequency cadence tone. Subsequent calls to **dx_addtone()** will use this tone until another tone is defined. A dual frequency cadence tone has dual frequency signals with specific on/off characteristics. The minimum on- and off-time for cadence detection is 40 msec on and 40 msec off.

dx_setgtdamp()

Sets the amplitudes used by GTD. The amplitudes set using **dx_setgtdamp()** are the default amplitudes that apply to all tones built using the build-tone functions. The amplitudes remain valid for all tones built until **dx_setgtdamp()** is called again and amplitudes are changed.

Instructions for Building Tone Templates

Follow these steps to build a tone template for global tone detection:

1. Determine the characteristics of the tone you wish to detect: single frequency or dual frequency tone, frequency range, cadence components, and so on.
2. Use the appropriate build-tone function, such as **dx_bldst()**, **dx_blddt()** and so on, to build and define the tone template. The functions require that you specify a unique tone ID for each tone template.
3. Use the **dx_addtone()** function to add the tone template to a channel. Subsequent calls to **dx_addtone()** will add this tone template until another tone is defined. Adding a tone template to a channel enables detection of a tone on that channel.
4. Repeat steps 1 - 3 as needed.

Tips and Hints for Building Tone Templates

The following are tips and hints when building a tone template for global tone detection:

- After using a build-tone function to define a new tone template, you must call `dx_addtone()` to add the tone template to a channel and enable detection of that tone on a channel.
- After using a build-tone function to define a tone template, if the template is not added to a channel, the next call to a build-tone function will overwrite the tone definition contained in the previous template.
- Only one tone template can be created at a time; however, multiple tone templates can be added to a channel. Each channel can have a different set of tone templates. Once created, tone templates can be selectively disabled or enabled by using `dx_distone()` and `dx_enbtone()`. See [Section 13.1.5, “Working with Tone Templates”](#), on page 150 for more information.
- Each tone template must have a unique tone ID.
- On Windows, do not use tone IDs 261, 262 and 263; they are reserved for library use.
- A particular tone template that has been added to a channel cannot be changed or deleted. A tone template can be disabled on a channel, but to delete a tone template, all tone templates on that channel must be deleted. See [Section 13.1.5, “Working with Tone Templates”](#), on page 150 for more information.

Table 14 lists some standard Bell System Network call progress tones. The frequencies are useful to know when creating tone templates.

Table 14. Standard Bell System Network Call Progress Tones

Tone	Frequency (Hz)	On Time (msec)	Off Time (msec)
Dial	350 + 440	Continuous	
Busy	480 + 620	500	500
Congestion (Toll)	480 + 620	200	300
Reorder (Local)	480 + 620	300	200
Ringback	440 + 480	2000	4000

13.1.5 Working with Tone Templates

After building a tone template, use the following functions to add/delete tone templates or to enable/disable tone detection:

dx_addtone()

Adds a tone template that was defined by the most recent build-tone function call to the specified channel. Adding a tone template to a channel downloads it to the board and enables detection of tone-on and tone-off events for that tone template.

dx_deltone()

Removes all tone templates previously added to a channel with **dx_addtone()**. If no tone templates were previously enabled for this channel, the function has no effect.

dx_deltone() does not affect tones defined by build-tone template functions and tone templates not yet defined. If you have added tones for call progress analysis, these tones are also deleted.

dx_distone()

Disables detection of a user-defined tone on a channel as well as the DE_TONEON and/or DE_TONEOFF events for that tone. Detection capability for user-defined tones is enabled on a channel by default when **dx_addtone()** is called.

dx_enbtone()

Enables detection of a user-defined tone that was previously disabled by **dx_distone()**. Also enables detection of DE_TONEON and/or DE_TONEOFF events for that tone. Detection capability for user-defined tones is enabled on a channel by default when **dx_addtone()** is called.

13.1.6 Retrieving Tone Events

Tone-on events (DE_TONEON) and tone-off events (DE_TONEOFF) are call status transition (CST) events. Retrieval of these events is handled differently for asynchronous and synchronous applications. Table 15 outlines the different processes for retrieving tone events.

Table 15. Asynchronous/Synchronous Tone Event Handling

Synchronous	Asynchronous
Call dx_addtone() or dx_enbtone() to enable tone-on/off detection.	Call dx_addtone() or dx_enbtone() to enable tone-on/off detection.
Call dx_getevt() to wait for CST event(s). Events are returned in the DX_EBLK data structure.	Use Standard Runtime Library (SRL) to asynchronously wait for TDX_CST event(s).
N/A	Use sr_getevtdatap() to retrieve DX_CST data structure.
Note: These procedures are the same as the retrieval of any other CST event, except that dx_addtone() or dx_enbtone() are used to enable event detection instead of dx_setevtmask() .	

You can optionally specify an associated ASCII digit (and digit type) with the tone template. In this case, the tone template is treated like DTMF tones. When the digit is detected, it is placed in the digit buffer and can be used for termination. When an associated ASCII digit is specified, tone events will not be generated for that tone.

Note: Cadence tone on events are reported differently on DM3 boards versus Springware boards. On DM3 boards, if a cadence tone occurs continuously, a DE_TONEON event is reported for each on/off cycle. On Springware boards, a DE_TONEON event is reported for the first on/off cycle only. On both types of boards, a DE_TONEOFF event is reported when the tone is no longer present.

13.1.7 Setting GTD Tones as Termination Conditions

To detect a GTD (user-defined) tone, you can specify it as a termination condition for I/O functions. Set the `tp_termno` field in the `DV_TPT` structure to `DX_TONE`, and specify `DX_TONEON` or `DX_TONEOFF` in the `tp_data` field.

13.1.8 Maximum Amount of Memory for Tone Templates

Table 16 gives the maximum amount of memory available for user-defined tone templates on Springware boards. The numbers in this table represent the number of memory blocks available to the user after all predefined tones and their indices have been allocated. Predefined tones include DTMFs. A single memory block may hold either a single tone template or a set of indices.

Table 17 shows the maximum memory available for tone templates on Springware boards for each tone-creating voice feature.

Table 16. Maximum Memory Available for User-Defined Tone Templates (Springware)

Hardware	Memory Blocks Available	
	Per Board	Per Channel
D/41JCT-LS	142	35
D/240JCT-T1 D/300JCT-E1 D/480JCT D/600JCT	510 for each group of 16 channels	31
VFX/41JCT-LS	142	35

Table 17. Maximum Memory Available for Tone Templates for Tone-Creating Voice Features (Springware)

Feature	Memory Blocks Available per Channel
SIT: 1 Tone	2
SIT: 3 Tones	5
CPA (PerfectCall)	17
R2/MF	17
Socotel	19
User Defined	See Section 13.1.9, "Estimating Memory" , on page 152.

13.1.9 Estimating Memory

Refer to the following guidelines to estimate the memory used for each tone on each channel of a Springware board.

Calculate the total frequency range covered by the tone. For single tones, this is twice the deviation (unless the range is truncated by the GTD detection range); for dual tones, this is twice the

deviation of **each** of the two tones minus any overlap (and minus any truncation by the GTD detection range).

For example:

- Single Tone: 400 Hz (125 Hz deviation) = bandwidth of 275 to 525 Hz, total of 250 Hz.
- Dual Tone: 450 Hz (50 Hz deviation) and 1000 Hz (75 Hz deviation) = bandwidth of 400 to 500 Hz and 925 to 1075 Hz, total of 250 Hz.
- Dual Tone: 450 Hz (100 Hz deviation) and 600 Hz (100 Hz deviation) = bandwidth of 350 to 550 Hz and 500 to 700 Hz; eliminating overlap, total range = 350 to 700 Hz, total of 350 Hz.

Each tone costs, on average, $1 + \text{round up} [1/16 * \text{round up} (\text{total frequency range} / 62.5)]$.

This allows for:

- 1 memory block for the actual template
- 1/16 portion of a memory block for an index entry
- range/62.5 multiple indexing for speed

In practice, the 1/16 should be added across tones that have frequency overlap, rather than rounded up for each tone.

Note: The firmware will often use memory more efficiently than described by the guidelines given above. These guidelines estimate the maximum memory usage for user-defined tones; the actual usage may be lower.

13.1.10 Guidelines for Creating User-Defined Tones

The following guidelines apply when creating user-defined tones:

Note: The terms “user-defined tones” and “tone templates” are used interchangeably. Each tone template specifies the characteristics of one user-defined tone.

- The maximum number of user-defined tone templates is based on tone templates that define a *dual* tone with a frequency range (bandwidth) of 63 Hz. (The detection range is the difference between the minimum and maximum defined frequencies for the tone.)
- On DM3 boards, the maximum number of tone templates is about 40.
- On DM3 boards, the number of user-defined tone templates that are active and enabled on a channel is limited due to the number of events that a channel can report. The default maximum number of events for a channel is 20. (A tone-on event and a tone-off event in the same tone template count as two events.)
- On DM3 boards, the default call progress analysis tones (which include tri-tone special information tone sequences or SIT sequences) are created at board initialization time and are available for use. If you create new call progress analysis tone templates using **dx_querytone()**, **dx_deletetone()** and **dx_createtone()**, each tone template counts as a user-defined tone template, which reduces the number of user-defined tones you can create.
- On Springware boards, if you use call progress analysis to detect the different call progress signals (dial tone, busy tone, ringback tone, fax or modem tone), call progress analysis creates GTD tones. This reduces the number of user-defined tones you can create. Call progress

analysis creates 8 GTD tones; this uses 17 memory blocks on each channel on which it is activated.

- On Springware boards, if you use call progress analysis to identify tri-tone special information tone (SIT) sequences, call progress analysis creates GTD tones, which reduces the number of user-defined tones you can create. Call progress analysis creates one GTD tone template for each single frequency tone that you define in the DX_CAP structure. For example, if detecting the SIT sequences per channel (3 frequencies), the GTD memory will be reduced by 5 blocks.
- On Springware boards, if you initiate call progress analysis and there is not enough memory to create the GTD tones, you will get an EDX_MAXTMPLT error. This indicates that you are trying to exceed the maximum number of GTD tones.
- On Springware boards, if you use a build tone function (such as **dx_blddt()** or **r2_creatfsig()**) to define a user-defined tone that alone or with existing user-defined tones exceeds the available memory, you will get an EDX_MAXTMPLT error.
- On Springware boards on Linux, call progress analysis SIT detection releases GTD memory when call progress analysis has completed. The other features do not release GTD memory until a **dx_deltone()** is performed.
- On Springware boards on Linux, if you initiate call progress analysis and there is not enough memory to create the SIT sequences internally, you will get a T_CAERROR event and the **evtdata** field will contain MEMERR. On Springware boards on Windows, if you initiate call progress analysis and there is not enough memory to create the SIT sequences internally, you will get a CR_MEMERR.
- The **dx_deltone()** function deletes all user-defined tones from a specified channel and releases the memory that was used for those user-defined tones. When an associated ASCII digit is specified, tone events will not be generated for that tone.
- If you create R2/MF user-defined tones using **r2_creatfsig()**, the voice boards are usually able to create all 15 R2/MF user-defined tones due to the overlap in frequencies for the R2/MF signals. If these boards do not have sufficient memory, they may be able to support R2/MF signaling through a reduced number of R2/MF user-defined tones.
The **r2_creatfsig()** function is not supported on DM3 boards.
- Voice boards support a full set of inbound or outbound R2/MF signals, or the complete Socotel signal set.

Table 18 lists the maximum number of tone templates for dual tones available on Springware boards.

For information on maximum amount of memory available for tone templates on Springware boards, see [Table 16, “Maximum Memory Available for User-Defined Tone Templates \(Springware\)”](#), on page 152 and [Table 17, “Maximum Memory Available for Tone Templates for Tone-Creating Voice Features \(Springware\)”](#), on page 152.

Table 18. Maximum Tone Templates for Dual Tones (Springware)

Hardware	Tone Templates Per Board	Tone Templates Per Channel
D/41JCT-LS	33	8

Table 18. Maximum Tone Templates for Dual Tones (Springware) (Continued)

D/240JCT-T1	300	15
D/300JCT-E1	450	15

13.1.11 Global Tone Detection Application

A sample application for global tone detection (GTD) is detecting leading edge debounce time.

Rather than detecting a signal immediately, an application may want to wait for a period of time (debounce time) before the DE_TONEON event is generated indicating the detection of the signal. The **dx_bldstcad()** and **dx_blddtcad()** functions can detect leading edge debounce on-time. A tone must be present at a given frequency and for a period of time (debounce time) before a DE_TONEON event is generated. The debounce time is specified using the tone-on time, tone-on time deviation, tone-off time, tone-off time deviation, and repetition count parameters in the **dx_bldstcad()** or **dx_blddtcad()** functions.

To detect leading edge debounce time, specify the following values for the **dx_bldstcad()** or **dx_blddtcad()** function parameters listed below:

- For **ontime**, specify 1/2 of the desired debounce time
- For **ontdev**, specify -1/2 of the desired debounce time
- For **offtime**, specify 0
- For **offtdev**, specify 0
- For **repnt**, specify 0

Note: The **dx_blddt()** and **dx_bldst()** functions cannot be used to detect leading edge debounce time because they do not have timing field parameters.

13.2 Global Tone Generation (GTG)

The following topics provide information on using global tone generation:

- [Using GTG](#)
- [GTG Functions](#)
- [Building and Implementing a Tone Generation Template](#)

13.2.1 Using GTG

Global tone generation enables the creation of user-defined tones. The tone generation template, TN_GEN, is used to define the tones with the following information:

- Single or dual tone
- Frequency fields
- Amplitude for each frequency

- Duration of tone

The functions and data structures associated with global tone generation are described in the *Voice API Library Reference*.

13.2.2 GTG Functions

The following functions are used to generate tones:

dx_bldtngen()

Builds a tone generation template. This convenience function sets up the tone generation template data structure (TN_GEN) by allowing the assignment of specified values to the appropriate fields. The tone generation template is placed in the user's return buffer and can then be used by the **dx_playtone()** function to generate the tone.

dx_playtone()

Plays a tone specified by the tone generation template (pointed to by **tngenp**). Termination conditions are set using the DV_TPT structure. The reason for termination is returned by the **ATDX_TERMMSK()** function. **dx_playtone()** returns a 0 to indicate that it has completed successfully.

13.2.3 Building and Implementing a Tone Generation Template

The tone generation template defines the frequency, amplitude, and duration of a single or dual frequency tone to be played. You can use the convenience function **dx_bldtngen()** to set up the structure. Use **dx_playtone()** to play the tone.

The TN_GEN data structure is defined as:

```
typedef struct {
    unsigned short tg_dflag;          /* dual tone = 1, single tone = 0 */
    unsigned short tg_freq1;         /* frequency of tone 1 (in Hz) */
    unsigned short tg_freq2;         /* frequency of tone 2 (in Hz) */
    short int      tg_ampl1;         /* amplitude of tone 1 (in dB) */
    short int      tg_ampl2;         /* amplitude of tone 2 (in dB) */
    short int      tg_dur;           /* duration (in 10 msec units) */
} TN_GEN;
```

After you build the TN_GEN data structure, there are two ways to define each tone template. You may either:

- Include the values in the structure
- Pass the values to TN_GEN using the **dx_bldtngen()** function

If you include the values in the structure, you must create a structure for each tone template. If you pass the values using the **dx_playtone()** function, then you can reuse the structure. If you are only changing one value in a template with many variables, it may be more convenient to use several structures in the code instead of reusing just one.

After defining the template by either of these methods, pass TN_GEN to **dx_playtone()** to play the tone.

13.3 Cadenced Tone Generation

The following topics provide information on enabling and using cadenced tone generation:

- [Using Cadenced Tone Generation](#)
- [How To Generate a Custom Cadenced Tone](#)
- [How To Generate a Non-Cadenced Tone](#)
- [TN_GENCAD Data Structure - Cadenced Tone Generation](#)
- [How To Generate a Standard PBX Call Progress Signal](#)
- [Predefined Set of Standard PBX Call Progress Signals](#)
- [Important Considerations for Using Predefined Call Progress Signals](#)

13.3.1 Using Cadenced Tone Generation

Cadenced tone generation is an enhancement to global tone generation that enables you to generate a signal with up to four single or dual tone elements, each with its own on/off duration creating the signal pattern or cadence.

Cadenced tone generation is accomplished with the **dx_playtoneEx()** function and the TN_GENCAD data structure.

You can define your own custom cadenced tone or take advantage of the built-in set of standard PBX call progress signals.

The functions and data structures associated with cadenced tone generation are described in the *Voice API Library Reference*.

13.3.2 How To Generate a Custom Cadenced Tone

A custom cadenced tone is defined by specifying in a TN_GENCAD data structure the repeating elements of the signal (the cycle) and the number of desired repetitions.

The cycle can consist of up to 4 segments, each with its own tone definition and cadence. A segment consists of a TN_GEN single or dual tone definition (frequency, amplitude, & duration) followed by a corresponding off-time (silence duration) that is optional. The **dx_bldtngen()** function can be used to set up the TN_GEN components of the TN_GENCAD structure. The tone duration, or on-time, from TN_GEN (tg_dur) and the offtime from TN_GENCAD are combined to produce the cadence for the segment. The segments are seamlessly concatenated in ascending order to generate the signal cycle.

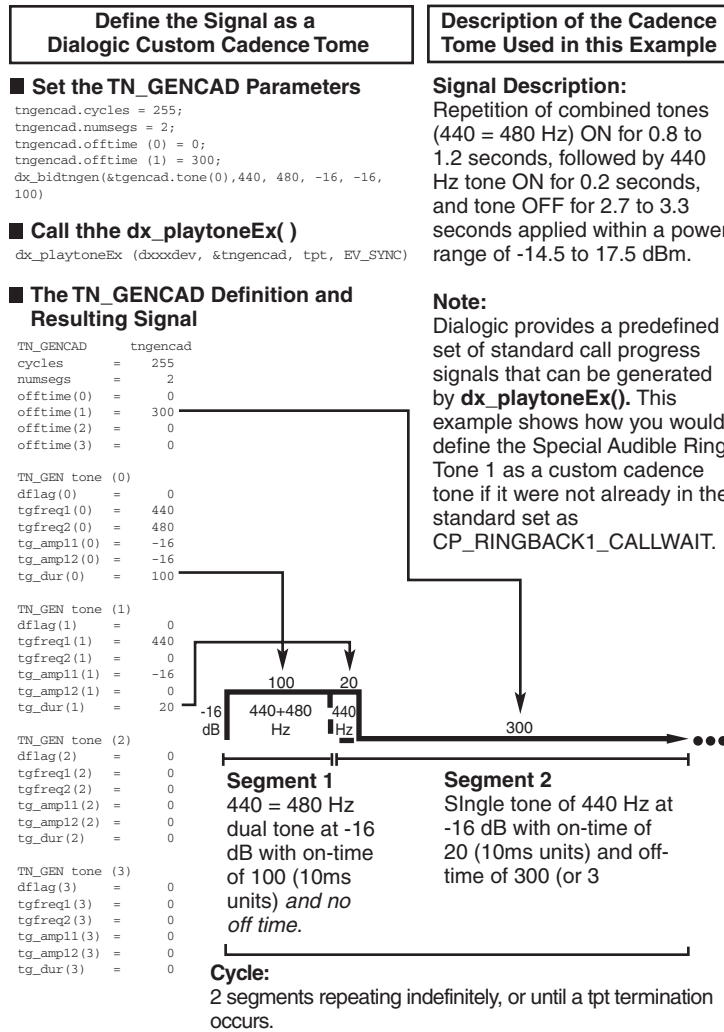
Use the following procedure to generate a custom cadenced tone:

1. Identify the repeating elements of the signal (the cycle).
2. Use a TN_GENCAD structure to define the segments in the cycle:
 - a. Start with the first tone element in the cycle and identify the single or dual tone frequencies, amplitudes, and duration (on-time).

- b. Use the **dx_bldtngen()** function to specify this tone definition in `tone[0]` (the first TN_GEN tone array element) of the TN_GENCAD structure.
 - c. Identify the off-time for the first tone element and specify it in `offtime[0]`. If the first tone element is followed immediately by a second tone element, set `offtime[0] = 0`.
 - d. Define the next segment of the cycle in `tone[1]` and `offtime[1]` the same way as above, and so on, up to the maximum of 4 segments or until you reach the end of the cycle.
3. Use the TN_GENCAD to define the parameters of the cycle:
 - a. Specify the number of segments in the cycle (`numsegs`).
 - b. Specify the number of cycle repetitions (`cycles`).
4. Set the termination conditions in a DV_TPT structure.
5. Call the **dx_playtoneEx()** function and use the **tngetcadv** parameter to specify the custom cadenced tone that you defined in the TN_GENCAD.

For an illustration of this procedure, see Figure 19.

Figure 19. Example of Custom Cadenced Tone Generation



13.3.3 How To Generate a Non-Cadenced Tone

Both `dx_playtoneEx()` and `dx_playtone()` can generate a non-cadenced tone.

Non-cadenced call progress signals can be generated by the `dx_playtone()` function if you define them in a TN_GEN: Dial Tone, Executive Override Tone, and Busy Verification Tone Part A.

The `dx_playtoneEx()` function can also generate a non-cadenced tone by using a TN_GENCAD data structure that defines a single segment.

If you want to generate a continuous, non-cadenced signal, use a single segment and zero off-time, and specify 1) an infinite number of cycles, 2) an infinite on-time, or 3) both. (You must also specify the appropriate termination conditions in a DV_TPT structure or else the tone will never end). For example:

```
cycles = 255;
numsegs = 1;
offtime[0] = 0;
tone[0].tg_dur = -1
```

13.3.4 TN_GENCAD Data Structure - Cadenced Tone Generation

TN_GENCAD is a voice library data structure (*dxxxlib.h*) that defines a cadenced tone that can be generated by using the `dx_playtoneEx()` function.

The TN_GENCAD data structure contains a tone array with four elements that are TN_GEN data structures (Tone Generation Templates). For details on TN_GEN and TN_GENCAD, see the *Voice API Library Reference*.

For examples of TN_GENCAD, see the definitions of standard call progress signals in [Table 20](#), “TN_GENCAD Definitions for Standard PBX Call Progress Signals”, on page 165.

13.3.5 How To Generate a Standard PBX Call Progress Signal

Use the following procedure to generate a standard PBX call progress signal from the predefined set of standard PBX call progress signals:

1. Select a call progress signal from [Table 19](#), “Standard PBX Call Progress Signals”, on page 162 and note the signal ID (see also [Figure 20](#), “Standard PBX Call Progress Signals (Part 1)”, on page 163).
2. Set the termination conditions in a DV_TPT structure.
3. Call the `dx_playtoneEx()` function and specify the signal ID for the `tngetcadv` parameter.

For example:

```
dx_playtoneEx(dxxxxdev, CP_BUSY, tpt, EV_SYNC)
```


13.3.6 Predefined Set of Standard PBX Call Progress Signals

The following information describes the predefined set of standard PBX call progress signals that are provided by Intel:

- [Table 19, “Standard PBX Call Progress Signals”](#), on page 162 lists the predefined, standard, call progress signals and their signal IDs. The signal IDs can be used with the `dx_playtoneEx()` function to generate the signal. (The #defines for the signal IDs are located in the `dxlib.h` file.)
- [Figure 20, “Standard PBX Call Progress Signals \(Part 1\)”](#), on page 163 illustrates the signals along with their tone specifications and cadences. The signals were divided into two parts so they could be illustrated to scale while providing sufficient detail. Part 1 uses a smaller scale than Part 2. (For this reason, the order of the signals is different than in the tables.)
- [Table 20, “TN_GENCAD Definitions for Standard PBX Call Progress Signals”](#), on page 165 lists the TN_GENCAD definitions of the signal cycle and segment definitions for each predefined call progress signal. These definitions are located in the `dxgtd.c` file.
- [Section 13.3.7, “Important Considerations for Using Predefined Call Progress Signals”](#), on page 166 describes what standard was used, how the standard was implemented, information regarding the signal power levels, usage and other considerations.

Table 19. Standard PBX Call Progress Signals

Name	Meaning	Signal ID (tngencadp)
Dial Tone	Ready for dialing	CP_DIAL
Reorder Tone (Paths-Busy, All-Trunks-Busy, Fast Busy)	Call blocked: resources unavailable	CP_REORDER
Busy Tone (Slow Busy)	Called line is busy	CP_BUSY
Audible Ring Tone 1 (Ringback Tone)	Called party is being alerted	CP_RINGBACK1
Audible Ring Tone 2 ¹ (Slow Ringback Tone)	Called party is being alerted	CP_RINGBACK2
Special Audible Ring Tone 1 ¹	Called party has Call Waiting feature and is being alerted	CP_RINGBACK1_CALLWAIT
Special Audible Ring Tone 2 ¹	Called party has Call Waiting feature and is being alerted	CP_RINGBACK2_CALLWAIT
Recall Dial Tone	Ready for additional dialing on established connection	CP_RECALL_DIAL
Intercept Tone	Call blocked: invalid	CP_INTERCEPT
Call Waiting Tone 1 ²	Call is waiting: single burst	C_CALLWAIT1
Call Waiting Tone 2 ²	Call is waiting: double burst	CP_CALLWAIT2
Busy Verification Tone (Part A)	Alerts parties that attendant is about to enter connection	CP_BUSY_VERIFY_A
Busy Verification Tone (Part B)	Attendant remains connected	CP_BUSY_VERIFY_B
Executive Override Tone	Overriding party about to be bridged onto connection	CP_EXEC_OVERRIDE
Confirmation Tone	Feature has been activated or deactivated	CP_FEATURE_CONFIRM
Stutter Dial Tone (Message Waiting Dial Tone)	Message waiting; ready for dialing	CP_STUTTER_DIAL or CP_MSG_WAIT_DIAL
<p>¹ Either of the two Audible Ring Tones can be used but are not intended to be intermixed in a system. When using the <i>Special Audible Ring Tone</i> (1 or 2), it should correspond to the Audible Ring Tone (1 or 2) that is used.</p> <p>² The two Call Waiting Tones (1 & 2) can be used to differentiate between internally and externally originated calls. Call Waiting Tone 2 is defined as a double burst in this implementation, although "multiple" bursts are permissible.</p>		

Figure 20. Standard PBX Call Progress Signals (Part 1)

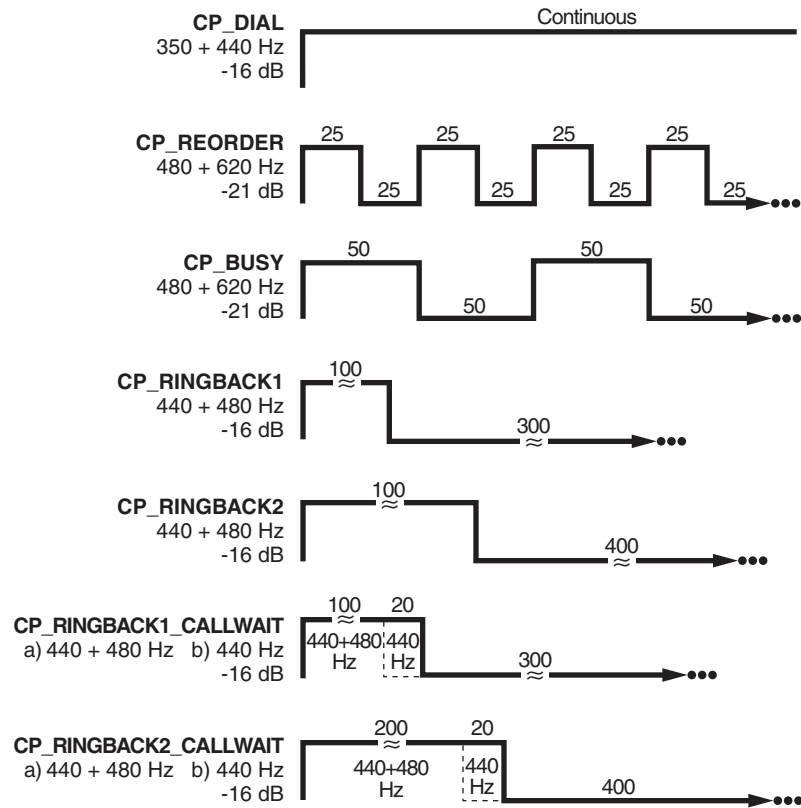


Figure 21. Standard PBX Call Progress Signals (Part 2)

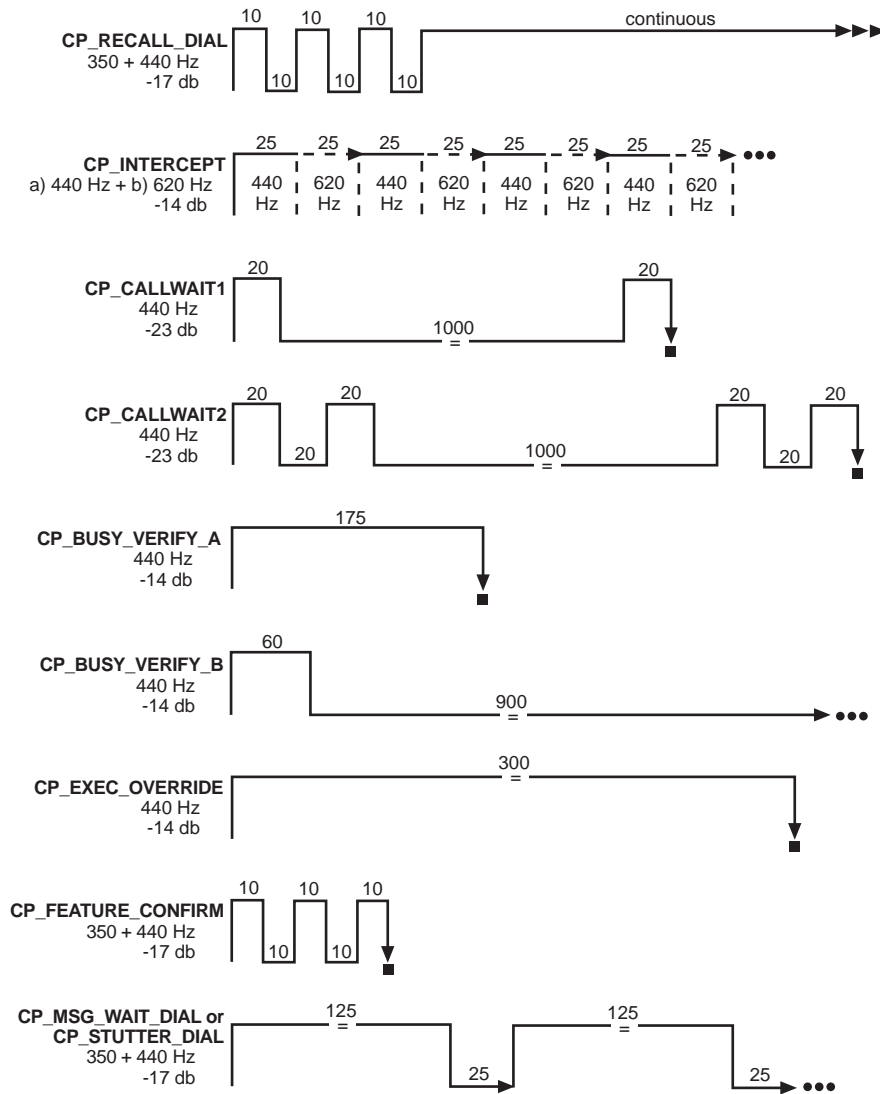


Table 20. TN_GENCAD Definitions for Standard PBX Call Progress Signals

SIGNAL_ID		Segment Definitions					
Cycle Definition		Segment Definitions					
Number of Cycles ¹	Number of Segments in Cycle	Frequency #1 (Hz)	Frequency #2 (Hz)	Amplitude #1 (dB)	Amplitude #2 (dB)	On-Time ² (10 msec)	Off-Time (10 msec)
cycles	numsegs	tg_freq1	tg_freq2	tg_ampl1	tg_ampl2	tg_dur	offtime
CP_DIAL							
1	1	350	440	-17	-17	-1	0
CP_REORDER							
255	1	480	620	-21	-21	25	25
CP_BUSY							
255	1	480	620	-21	-21	50	50
CP_RINGBACK1							
255	1	440	480	-16	-16	100	300
CP_RINGBACK2							
255	1	440	480	-16	-16	200	400
CP_RINGBACK1_CALLWAIT							
255	2	440	480	-16	-16	100	0
		440	0	-16	0	20	300
CP_RINGBACK2_CALLWAIT							
255	2	440	480	-16	-16	200	0
		440	0	-16	0	20	400
CP_RECALL_DIAL							
1	4	350	440	-17	-17	10	10
		350	440	-17	-17	10	10
		350	440	-17	-17	10	10
		350	440	-17	-17	-1	0
CP_INTERCEPT							
255	2	440	0	-14	0	25	0
		620	0	-14	0	25	0
CP_CALLWAIT1							
1	2	440	0	-23	0	20	1000
		440	0	-23	0	20	0
CP_CALLWAIT2							
1	4	440	0	-23	0	20	20
		440	0	-23	0	20	1000
		440	0	-23	0	20	20
		440	0	-23	0	20	0
¹ 255 specifies an infinite number of cycles (cycles) ² -1 specifies an infinite tone duration (tg_dur)							

Table 20. TN_GENCAD Definitions for Standard PBX Call Progress Signals (Continued)

SIGNAL_ID		Segment Definitions					
Cycle Definition		Segment Definitions					
Number of Cycles ¹	Number of Segments in Cycle	Frequency #1 (Hz)	Frequency #2 (Hz)	Amplitude #1 (dB)	Amplitude #2 (dB)	On-Time ² (10 msec)	Off-Time (10 msec)
cycles	numsegs	tg_freq1	tg_freq2	tg_ampl1	tg_ampl2	tg_dur	offtime
CP_BUSY_VERIFY_A							
1	1	440	0	-14	0	175	0
CP_BUSY_VERIFY_B							
255	1	440	0	-14	0	60	900
CP_EXEC_OVERRIDE							
1	1	440	0	-14	0	300	0
CP_FEATURE_CONFIRM							
1	3	350	440	-17	-17	10	10
		350	440	-17	-17	10	10
		350	440	-17	-17	10	0
CP_STUTTER_DIAL or CP_MSG_WAIT_DIAL							
255	1	350	440	-17	-17	125	25
¹ 255 specifies an infinite number of cycles (cycles) ² -1 specifies an infinite tone duration (tg_dur)							

13.3.7 Important Considerations for Using Predefined Call Progress Signals

Take into account the following considerations when using the predefined call progress signals:

- Signal definitions are based on the TIA/EIA Standard: Requirements for Private Branch Exchange (PBX) Switching Equipment, TIA/EIA-464-B, April 1996 (Telecommunications Industry Association in association with the Electronic Industries Association, Standards and Technology Department, 2500 Wilson Blvd., Arlington, VA 22201). To order copies, contact Global Engineering Documents in the USA at 1-800-854-7179 or 1-303-397-7956.
- A separate Line Lockout Warning Tone, which indicates that the station line has been locked out because dialing took too long or the station failed to disconnect at the end of a call, is not necessary and is not recommended. You can use the Reorder tone over trunks; or the Intercept, Reorder, or Busy tone over stations.
- For signals that specify an infinite repetition of the signal cycle (cycles = 255 on Springware or 40 on DM3) or an infinite duration of a tone (tg_dur = -1), you must specify the appropriate termination conditions in the DV_TPT structure used by **dx_playtoneEx()**.
- There may be more than one way to use TN_GENCAD to generate a given signal. For example, the three bursts of the Confirmation Tone can be created through one cycle containing three segments (as in the Intel implementation) or through a single segment that is repeated in three cycles.

- To generate a continuous, non-cadenced signal, you can use **dx_playtoneEx()** and **TN_GENCAD** to specify a single segment with zero off-time and with an infinite number of cycles and/or an infinite on-time.

Alternatively, you could use **dx_playtone()** and **TN_GEN** to generate a non-cadenced signal. The following non-cadenced call progress signals could be generated by the **dx_playtone()** function if you defined them in a **TN_GEN**: 1) Dial Tone, 2) Executive Override Tone, and 3) Busy Verification Tone Part A.

- Note that the Intercept Tone consists of alternating single tones.
- Although the TIA/EIA Standard describes the Busy Verification Tone as one signal, the two segments are separate tones/events: Part A is a single burst almost three times longer than Part B and it alerts the parties before the attendant intrudes; Part B is a short burst every 9 seconds continuing as long as the interruption lasts. The TIA/EIA Standard does not define an off-time between Part A and B. Therefore, the application developer is responsible for implementing the timing between the two parts of this signal.
- The TIA/EIA Standard specifies the range of permissible power levels per frequency for 1) the Central Office trunk interface and 2) all other interfaces (including off-premise stations and tie trunks). The Intel implementation adopted the approximate middle value in the acceptable range of power levels for applying the signals to the CO trunk interface. These power levels were more restrictive than those for the other interfaces. According to the following statement in the TIA/EIA Standard, additional requirements and considerations may apply:

“Studies have shown that the lower level tones that are transmitted over trunks should be 6 dB hotter at the trunk interface (than at the line interface) to compensate for increased loss on the end-to-end connection. In the case of tones used at higher levels, the 6 dB difference is not used since power at trunk interfaces must be limited to -13 dBm0 total when averaged over any 3-second interval to prevent carrier overload. Maximum permissible powers listed are consistent with this requirement taking into account the allowable interruption rates for the various tones. Uninterrupted tones, such as Dial Tone and Intercept Tone, shall be continuously limited to -13 dBm.”

For related power level information, see also Note 1 for Tables 29 and 30, Section 5.9, and Section 6.3.5.



Global dial pulse detection (global DPD) is a signaling component of the voice library. The following topics provide more information on global DPD:

- Key Features 169
- Global DPD Parameters..... 170
- Enabling Global DPD 170
- Global DPD Programming Considerations 171
- Retrieving Digits from the Digit Buffer 171
- Retrieving Digits as Events 172
- Dial Pulse Detection Digit Type Reporting 172
- Defines for Digit Type Reporting 172
- Global DPD Programming Procedure..... 173
- Global DPD Example Code..... 173

14.1 Key Features

Global dial pulse detection is not supported on DM3 boards.

Dial Pulse Detection (DPD) allows applications to detect dial pulses from rotary or pulse phones by detecting the audible clicks produced when a number is dialed, and to use these clicks as if they were DTMF digits. Intel global dial pulse detection, called global DPD, is a software-based dial pulse detection method that can use country-customized parameters for extremely accurate performance.

Global DPD provides the following features and benefits:

- The global DPD algorithm is adaptive and can train on any DPD digit it encounters, with the greatest accuracy produced from training on a digit that has 5 or more pulses. Global DPD does not require a leading “0” to train the global DPD algorithm.
- Global DPD can be performed simultaneously with DTMF detection. The application can determine whether the digit detected is a DTMF or DPD digit.
- Global DPD can be performed simultaneously with Global Tone Detection (GTD). For example, the application can use GTD to monitor for dial tone or busy tones simultaneously with DPD.
- Global DPD supports pulse-digit cut-through during a voice playback, with the correct digit returned in the digit buffer. Global DPD uses echo cancellation, which provides more accurate reporting of digits during voice playback.

- The application can enable global DPD and volume control. (Previously, there was a restriction that DPD digits had to be sent to the event queue instead of the digit queue if volume control was enabled.)

The following applications are supported by the global DPD feature:

- Analog applications using the loop-start telephone interface on a supported voice board
- Digital applications using a supported voice board

See the Release Guide for information on boards that support the global DPD feature.

14.2 Global DPD Parameters

This implementation of dial pulse detection is referred to as global DPD because its detection algorithm supports a wide range of dial pulses, from 8 pulse-per-second (PPS) to 22 PPS telephones.

Intel is continually qualifying its dial pulse detection algorithm against dial pulse data collected from different parts of the world to improve DPD accuracy for telephone systems and telephones in different regions. As appropriate, Intel will issue download parameters from time to time to improve the accuracy of DPD in a given region of the world, whether it is part of a country, an entire country, or a group of countries.

On Linux, these parameters are contained in the *voice.prm* file. To download the global DPD parameters, select a specific country when the boards are configured.

On Windows, customized global DPD download parameters are provided for several countries such as Argentina, Brazil, Colombia, India, Japan, Mexico and Venezuela, one of which can be selected during installation (refer to the Country Specific Parameter File). As additional regions are qualified for customized global DPD, relevant region-specific support will be released.

Support for a generic 10 pulse-per-second (PPS) global DPD parameter file is provided for countries that use 10 PPS phones.

You must install the Country-Specific Parameters and select a country to obtain support for global DPD.

14.3 Enabling Global DPD

On Windows, Global DPD works only on DPD-enabled boards. You must order a separate GDPD enablement package from Intel to enable GDPD on these boards. See the Release Guide for information on boards that support the global DPD feature. To indicate that a board is DPD-enabled, apply the sticker provided with the GDPD enablement package to your board. Additionally, it is recommended that you write down the serial number of the DPD-enabled board for your records.

Global DPD must be implemented on a call-by-call basis. Global DPD uses the **dx_setdigtyp()** function to enable DPD. See the *Voice API Library Reference* for information on all functions and data structures described in this chapter.

For any digit detected, you can determine the digit type such as DTMF or DPD by using the DV_DIGIT data structure in the application. When a **dx_getdig()** or **dx_getdigEx()** function call is performed, the digits are collected from the firmware and transferred to the user's digit buffer. The digits are stored as an array inside the DV_DIGIT structure.

You then use a pointer to the structure that contains a digit buffer. For an example, see [Section 14.10, "Global DPD Example Code"](#), on page 173. This method allows you to determine very quickly whether a pulse or DTMF telephone is being used.

14.4 Global DPD Programming Considerations

The global DPD algorithm will accurately detect digits in the supported regions without requesting a special training digit from the caller or requiring any other restrictions on the application. However, observe the following considerations when designing the application:

- Talk-off rejection (the ability of the algorithm to distinguish between dial pulses and the human voice) will improve after the first digit is detected.
- Digit detection will be slightly more accurate (about 2%) after detecting a digit of 5 or greater. It is not necessary to dial a special training digit to do this. The application may simply restrict the first menu to digits 5, 6, 7, 8, 9, and 0, and the training will be complete. Subsequent menus may be unrestricted.
- In general, detection accuracy is greater for higher digits than for lower. While detection accuracy is very high, it may be further improved by restricting menu selections, whenever convenient, to digits greater than 3.

14.5 Retrieving Digits from the Digit Buffer

To get the digits from the digit buffer, use the following synchronous programming model:

1. Define a data structure of type DV_DIGIT (the DV_DIGIT structure is defined by including the *dxlib.h* header file).
2. Enable DPD on the desired channels using the **dx_setdigtyp()** function.
3. For each new connection, use **dx_setdigtyp()** with the D_DPDZ mask, which initializes the DPD algorithm. After collecting the first DPD digit string, the mask can be set to D_DPD for the remainder of that connection. Each subsequent invocation of **dx_setdigtyp()** must use the D_DPD mask.
4. Execute the **dx_getdig()** function to collect and transfer the digits to the user's digit buffer. The digits are stored in the dg_value field of the DV_DIGIT structure. The corresponding digit types (dial pulse, DTMF, and so on) are stored in the dg_type field of the DV_DIGIT structure. For more information, see the DV_DIGIT structure in the *Voice API Library Reference*.

14.6 Retrieving Digits as Events

To get the digits as events, use the following asynchronous programming model using the `dx_setevtmsk()`, `sr_waitevt()`, and `sr_getevtdatap()` functions and the `DX_CST` data structure.

1. Since the supported voice boards come with channels capable of global DPD, you must enable DPD on the desired channels using the `dx_setdigtyp()` function.
2. For each new connection, use `dx_setdigtyp()` with the `D_DPDZ` mask, which initializes the DPD algorithm. After collecting the first DPD digit string, the mask can be set to `D_DPD` for the remainder of that connection. Each subsequent invocation of `dx_setdigtyp()` must use the `D_DPD` mask.
3. Use `dx_setevtmsk()` to enable digit detection.
4. Use `sr_waitevt()` to wait for events.
5. When a CST event occurs, use `sr_getevtdatap()` to retrieve the pointer to the `DX_CST` structure.
6. The `cst_data` field (`DX_CST` structure) for a `DE_DIGITS` event contains an ASCII digit (low byte) and the digit type (high byte). For more information, see the `DX_CST` structure in the *Voice API Library Reference*.

14.7 Dial Pulse Detection Digit Type Reporting

Two defines are provided for identifying the dial pulse detection digit type, depending upon how the digit type is retrieved:

DG_DPD

Dial pulse detection digit from the `DX_EBLK` event queue data (`cst_data`) through a `DE_DIGITS` Call Status Transition event

DG_DPD_ASCII

Dial pulse detection digit from the `DV_DIGIT` `dg_type` digit buffer using `dx_getdig()`

Obtaining the digit type for DPD digits is valid only in the case when the voice and DPD capabilities are both present on the same board. In the case where a voice board does not support DPD, you cannot detect DPD digits or obtain the DPD digit type even though you can enable DPD and digit type reporting without an error.

14.8 Defines for Digit Type Reporting

Use the defines as shown here to determine the digit type from the value returned in the `dg_type` (digit type) field from the `DV_DIGIT` digit buffer. If you get the digit from the `DV_DIGIT` `dg_type` digit buffer using `dx_getdig()`, you should use the digit type define that has the “_ASCII” suffix. Otherwise, if you get the digit from the `DX_EBLK` event queue data (`cst_data`) through a `DE_DIGITS` Call Status Transition event, you should use the digit type define without the “_ASCII” suffix.

Defines for dg_type from

Digit Type	Digit Buffer	Event Queue
DTMF	DG_DTMF_ASCII	DG_DTMF
DPD	DG_DPD_ASCII	DG_DPD
MF	DG_MF_ASCII	DG_MF
GTD	DG_USER1_ASCII	DG_USER1
(user-defined)	DG_USER2_ASCII	DG_USER2
	DG_USER3_ASCII	DG_USER3
	DG_USER4_ASCII	DG_USER4
	DG_USER5_ASCII	DG_USERS5

14.9 Global DPD Programming Procedure

Use the following procedure to implement global DPD:

1. Define a data structure of type DV_DIGIT (this structure is specified in the *DXDIGIT.H* file).
2. Enable DPD on the desired channels using the **dx_setdigtyp()** function. For new calls you must use the D_DPDZ mask that initializes the DPD detector for new calls.
3. Execute the **dx_getdig()** function to collect and transfer the digits to the user's digit buffer. The digits are stored in the dg_value field of the DV_DIGIT structure with the corresponding digit types stored in the dg_type field of the DV_DIGIT structure.

14.10 Global DPD Example Code

The following example illustrates how to set up and use global DPD. The code uses the synchronous model.

```

/*$ dx_setdigtyp( )and dx_getdig( ) example for global dial pulse detection $*/

#include <stdio.h>
#include "srllib.h"
#include "dxxlib.h"

void main(int argc, char **argv)
{
    int dev; /* Dialogic device handle */
    DV_DIGIT dig;
    DV_TPT tpt;

    /*
     * Open device, make or accept call
     */

    /* set up TPT to wait for 3 digits and terminate */
    dx_clrtpt(&tpt, 1);
    tpt.tp_type = IO_EOT;
    tpt.tp_termno = DX_MAXDTMF;
    tpt.tp_length = 3;
    tpt.tp_flags = TF_MAXDTMF;

```

```
/* enable DPD and DTMF digits */
dx_setdigtyp(dev, D_DPDZ|D_DTMF);

/* clear the digit buffer */
dx_clrdigbuf(dev);

/* collect 3 digits from the user */
if (dx_getdig(dev, &tpt, &dig, EV_SYNC) == -1) {
    /* error, display error message */
    printf("dx_getdig error %d, %s\n", ATDV_LASTERR(dev), ATDV_ERRMSGP(dev));
} else {
    /* display digits received and digit type */
    printf("Received \"%s\"\n", dig.dg_value);
    printf("Digit type is ");
    /*
     * digit types have 0x30 ORed with them strip it off
     * so that we can use the DG_xxx equates from the header files
     */
    switch ((dig.dg_type[0] & 0x000f)) {
        case DG_DTMF:
            printf("DTMF\n");
            break;
        case DG_DPD:
            printf("DPD\n");
            break;
        default:
            printf("Unknown, %d\n", (dig.dg_type[0] & 0x000f));
    }
}

/*
 * continue processing call
 */
```

This chapter provides a description of R2/MF signaling protocol. The following topics are presented:

- R2/MF Overview 175
- Direct Dialing-In Service 176
- R2/MF Multifrequency Combinations 176
- R2/MF Signal Meanings 177
- R2/MF Compelled Signaling 183
- R2/MF Voice Library Functions 185
- R2/MF Tone Detection Template Memory Requirements 186

15.1 R2/MF Overview

R2/MF signaling is an international signaling system that is used in Europe and Asia to permit the transmission of numerical and other information relating to the called and calling subscribers' lines.

Note: R2/MF signaling is typically accomplished through the Global Call API. For more information, see the Global Call documentation set. The information in this chapter is provided for reference purposes only. It is not recommended that the voice library functions described in this chapter be used for R2/MF signaling.

R2/MF signals that control the call setup are referred to as **interregister signals**. In the case of the signals sent between the central office (CO) and the customer premises equipment (CPE), the CO is referred to as the **outgoing register** and the CPE as the **incoming register**. Signals sent from the CO are **forward signals**; signals sent from the CPE are **backward signals**. The outgoing register (CO) sends forward interregister signals and receives backward interregister signals. The incoming register (CPE) receives forward interregister signals and sends backward interregister signals. See Figure 22.

Figure 22. Forward and Backward Interregister Signals



The focus of this section is on the forward and backward interregister signals, and more specifically, the **address signals**, which can provide the telephone number of the called subscriber's line. For national traffic, the address signals can also provide the telephone number of a calling subscriber's line for automatic number identification (ANI) applications.

R2/MF signals that are used for supervisory signaling on the network are called **line signals**. Line signals are beyond the scope of this document.

15.2 Direct Dialing-In Service

Since R2/MF address signals can provide the telephone number of the called subscriber's line, the signals may be used by applications providing direct dialing-in (DDI) service, also known as direct inward dialing (DID), and dialed number identification service (DNIS).

DDI service allows an outside caller to dial an extension within a company without requiring an operator to transfer the call. The central office (CO) passes the last 2, 3, or 4 digits of the dialed number to the customer premises equipment (CPE) and the CPE completes the call.

15.3 R2/MF Multifrequency Combinations

R2/MF signaling uses a multifrequency code system based on six fundamental frequencies in the forward direction (1380, 1500, 1620, 1740, 1860, and 1980 Hz) and six frequencies in the backward direction (1140, 1020, 900, 780, 660, and 540 Hz).

Each signal is composed of two out of the six fundamental frequencies, which results in 15 different tone combinations in each direction. Although R2/MF is designed for operation on international networks with 15 multifrequency combinations in each direction, in national networks it can be used with a reduced number of signaling frequencies (for example, 10 multifrequency combinations). See Table 21 and Table 22 for lists of the signal tone pairs.

Table 21. Forward Signals, CCITT Signaling System R2/MF tones

Tone Number	R2/MF TONES		INTEL INFORMATION		
	Tone Pair Frequencies (Hz)		Group I Define	Group II Define	Tone Detect. ID
1	1380	1500	SIGI_1	SIGII_1	101
2	1380	1620	SIGI_2	SIGII_2	102
3	1500	1620	SIGI_3	SIGII_3	103
4	1380	1740	SIGI_4	SIGII_4	104
5	1500	1740	SIGI_5	SIGII_5	105
6	1620	1740	SIGI_6	SIGII_6	106
7	1380	1860	SIGI_7	SIGII_7	107
8	1500	1860	SIGI_8	SIGII_8	108
9	1620	1860	SIGI_9	SIGII_9	109
10	1740	1860	SIGI_0	SIGII_0	110
11	1380	1980	SIGI_11	SIGII_11	111
12	1500	1980	SIGI_12	SIGII_12	112

Table 21. Forward Signals, CCITT Signaling System R2/MF tones (Continued)

R2/MF TONES			INTEL INFORMATION		
Tone Number	Tone Pair Frequencies (Hz)		Group I Define	Group II Define	Tone Detect. ID
13	1620	1980	SIGI_13	SIGII_13	113
14	1740	1980	SIGI_14	SIGII_14	114
15	1860	1980	SIGI_15	SIGII_15	115

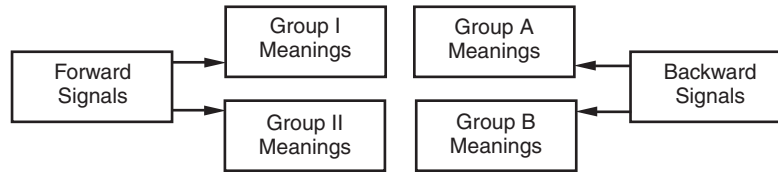
Table 22. Backward Signals, CCITT Signaling System R2/MF tones

R2/MF TONES			INTEL INFORMATION	
Tone Number	Tone Pair Frequencies (Hz)		Group A Define	Group B Define
1	1140	1020	SIGA_1	SIGB_1
2	1140	900	SIGA_2	SIGB_2
3	1020	900	SIGA_3	SIGB_3
4	1140	780	SIGA_4	SIGB_4
5	1020	780	SIGA_5	SIGB_5
6	900	780	SIGA_6	SIGB_6
7	1140	660	SIGA_7	SIGB_7
8	1020	660	SIGA_8	SIGB_8
9	900	660	SIGA_9	SIGB_9
10	780	660	SIGA_0	SIGB_0
11	1140	540	SIGA_11	SIGB_11
12	1020	540	SIGA_12	SIGB_12
13	900	540	SIGA_13	SIGB_13
14	780	540	SIGA_14	SIGB_14
15	660	540	SIGA_15	SIGB_15

15.4 R2/MF Signal Meanings

There are two groups of meanings associated with each set of signals. Group I meanings and Group II meanings are associated with the 15 forward signals. Group A meanings and Group B meanings are associated with the 15 backward signals. See Figure 23.

Figure 23. Multiple Meanings for R2/MF Signals



In general, Group I forward signals and Group A backward signals are used to control the call setup and to transfer address information between the outgoing register (CO) and the incoming register (CPE). The incoming register can then signal to the outgoing register to change over to the Group II and Group B meanings.

Group II forward signals provide the calling party's category, and Group B backward signals provide the condition of the called subscriber's line. For further information, see [Table 23, "Purpose of Signal Groups and Changeover in Meaning"](#), on page 178 describing the purpose of the signal groups and the changeover in meanings.

Signaling must always begin with a Group I forward signal followed by a Group A backward signal that serves to acknowledge the signal just received and also has its own meaning. Each signal then requires a response from the other party. Each response becomes an acknowledgment of the event and an event for the other party to respond to.

Backward signals serve to indicate certain conditions encountered during call setup or to announce switch-over to changed meanings of subsequent backward signals. Changeover to Group II and Group B meanings allows information about the state of the called subscriber's line to be transferred.

Table 23. Purpose of Signal Groups and Changeover in Meaning

Signal	Purpose	
Group I	Group I signals control the call set-up and provide address information.	
Group A	Group A signals acknowledge Group I signals (see exception under signal A-5 below) for call set-up, and can also request address and other information. Group A signals also control the changeover to Group II and Group B meanings through the following signals:	
	A-3	Address Complete - Changeover to Reception of Group B Signals: Indicates the address is complete and signals a changeover to Group II/B meanings; after signal A-3 is sent, signaling cannot change back to Group I/A meanings.
	A-5	Send Calling Party's Category: Requests transmission of a single Group II signal providing the calling party's category. Signal A-5 requests a Group II signal but does not indicate changeover to Group B signals. When the Group II signal requested by A-5 is received, it is acknowledged by a Group A signal; this is an exception to the rule that Group A signals acknowledge Group I signals.
Group II	Group II signals acknowledge signal A-3 or A-5 and provide the calling party category (national or international call, operator or subscriber, data transmission, maintenance or test call).	
Group B	Group B signals acknowledge Group II signals and provide the condition of the called subscriber's line. Before Group B signals can be transmitted, the preceding backward signal must have been A-3. Signals cannot change back to Group I/A.	

The incoming register backward signals can request:

- Transmission of address
 - Send next digit
 - Send digit previous to last digit sent
 - Send second digit previous to last digit sent
 - Send third digit previous to last digit sent
- Category of the call (the nature and origin)
 - National or international call
 - Operator or subscriber
 - Data transmission
 - Maintenance or test call
- Whether or not the circuit includes a satellite link
- Country code and language for international calls
- Information on use of an echo suppressor

The incoming register backward signals can indicate:

- Address complete - send category of call
- Address complete - put call through
- International, national, or local congestion
- Condition of subscriber's line
 - Send SIT to indicate long-term unavailability
 - Line busy
 - Unallocated number
 - Line free - charge on answer
 - Line free - no charge on answer (only for special destinations)
 - Line out of order

Note: The meaning of certain forward multifrequency combinations may also vary depending upon their position in the signaling sequence. For example, with terminal calls the first forward signal transmitted in international working is a language or discriminating digit (signals I-1 through I-10). When the same signal is sent as other than the first signal, it usually means a numerical digit.

See the following tables for the signal meanings:

- [Table 24, “Meanings for R2/MF Group I Forward Signals”](#), on page 180
- [Table 25, “Meanings for R2/MF Group II Forward Signals”](#), on page 181
- [Table 26, “Meanings for R2/MF Group A Backward Signals”](#), on page 182
- [Table 27, “Meanings for R2/MF Group B Backward Signals”](#), on page 183

Table 24. Meanings for R2/MF Group I Forward Signals

Tone Number	Intel Define	(A) Primary Meaning (B) Secondary Meaning
1	SIGI_1	(A) Digit 1 (B) Language digit-French
2	SIGI_2	(A) Digit 2 (B) Language digit-English
3	SIGI_3	(A) Digit 3 (B) Language digit-German
4	SIGI_4	(A) Digit 4 (B) Language digit-Russian
5	SIGI_5	(A) Digit 5 (B) Language digit-Spanish
6	SIGI_6	(A) Digit 6 (B) Spare (language digit)
7	SIGI_7	(A) Digit 7 (B) Spare (language digit)
8	SIGI_8	(A) Digit 8 (B) Spare (language digit)
9	SIGI_9	(A) Digit 9 (B) Spare (discriminating digit)
10	SIGI_0	(A) Digit 0 (B) Discriminating digit
11	SIGI_11	(A) Access to incoming operator (Code 11) (B) Country code indicator: outgoing half-echo suppressor required
12	SIGI_12	(A) Access to delay operator (code 12); request not accepted (B) Country code indicator: no echo suppressor required
13	SIGI_13	(A) Access to test equipment (code 13); satellite link not included (B) Test call indicator
14	SIGI_14	(A) Incoming half-echo suppressor required; satellite link included (B) Country code indicator: outgoing half-echo suppressor inserted
15	SIGI_15	(A) End of pulsing (code 15); end of identification (B) Signal not used

Table 25. Meanings for R2/MF Group II Forward Signals

Tone Number	Intel Define	Meaning
1	SIGII_1	National: Subscriber without priority
2	SIGII_2	National: Subscriber with priority
3	SIGII_3	National: Maintenance equipment
4	SIGII_4	National: Spare
5	SIGII_5	National: Operator
6	SIGII_6	National: Data transmission
7	SIGII_7	International: Subscriber, operator, or maintenance equipment (without forward transfer)
8	SIGII_8	International: Data transmission
9	SIGII_9	International: Subscriber with priority
10	SIGII_0	International: Operator with forward transfer facility
11	SIGII_11	Spare for national use
12	SIGII_12	Spare for national use
13	SIGII_13	Spare for national use
14	SIGII_14	Spare for national use
15	SIGII_15	Spare for national use

Table 26. Meanings for R2/MF Group A Backward Signals

Tone Number	Intel Define	Meaning
1	SIGA_1	Send next digit (n+1)
2	SIGA_2	Send last but one digit (n-1)
3	SIGA_3	Address complete; change to Group B signals; no change back
4	SIGA_4	Congestion in the national network
5	SIGA_5	Send calling party's category; change to Group II; can change back
6	SIGA_6	Address complete; charge; set up speech conditions
7	SIGA_7	Send last but two digit (n-2)
8	SIGA_8	Send last but three digit (n-3)
9	SIGA_9	Spare for national use
10	SIGA_0	Spare for national use
11	SIGA_11	Send country code indicator
12	SIGA_12	Send language or discriminating digit
13	SIGA_13	Send nature of circuit (satellite link only)
14	SIGA_14	Request for information on use of an echo suppressor
15	SIGA_15	Congestion in an international exchange or at its output

Table 27. Meanings for R2/MF Group B Backward Signals

Tone Number	Intel Define	Meaning
1	SIGB_1	Spare for national use
2	SIGB_2	Send special information tone to indicate long-term unavailability
3	SIGB_3	Subscriber line busy
4	SIGB_4	Congestion encountered after change to Group B
5	SIGB_5	Unallocated number
6	SIGB_6	Subscriber line free; charge on answer
7	SIGB_7	Subscriber line free; no charge (only for calls to special destinations)
8	SIGB_8	Subscriber line out of order
9	SIGB_9	Spare for national use
10	SIGB_0	Spare for national use
11	SIGB_11	Spare for national use
12	SIGB_12	Spare for national use
13	SIGB_13	Spare for national use
14	SIGB_14	Spare for national use
15	SIGB_15	Spare for national use

15.5 R2/MF Compelled Signaling

R2/MF interregister signaling uses forward and backward compelled signaling. Simply put, with compelled signaling each signal is sent until it is responded to by a return signal, which in turn is sent until responded to by the other party. Each signal stays on until the other party responds, thus compelling a response from the other party.

Reliability and speed requirements for signaling systems are often in conflict: the faster the signaling, the more unreliable it is likely to be. Compelled signaling provides a balance between speed and reliability because it adapts its signaling speed to the working conditions with a minimum loss of reliability.

The R2/MF signal is composed of two significant events: tone-on and tone-off. Each tone event requires a response from the other party. Each response becomes an acknowledgment of the event and an event for the other party to respond to.

Compelled signaling must always begin with a Group I forward signal.

- The CO starts to send the first forward signal.
- As soon as the CPE recognizes the signal, it starts to send a backward signal that serves as an acknowledgment and at the same time has its own meaning.

- As soon as the CO recognizes the CPE acknowledging signal, it stops sending the forward signal.
- As soon as the CPE recognizes the end of the forward signal, it stops sending the backward signal.
- As soon as the CO recognizes the CPE end of the backward signal, it may start to send the next forward signal.

The CPE responds to a tone-on with a tone-on and to a tone-off with a tone-off. The CO responds to a tone-on with a tone-off and to a tone-off with a tone-on. See Figure 24 and Figure 25 for more information.

Figure 24. R2/MF Compelled Signaling Cycle

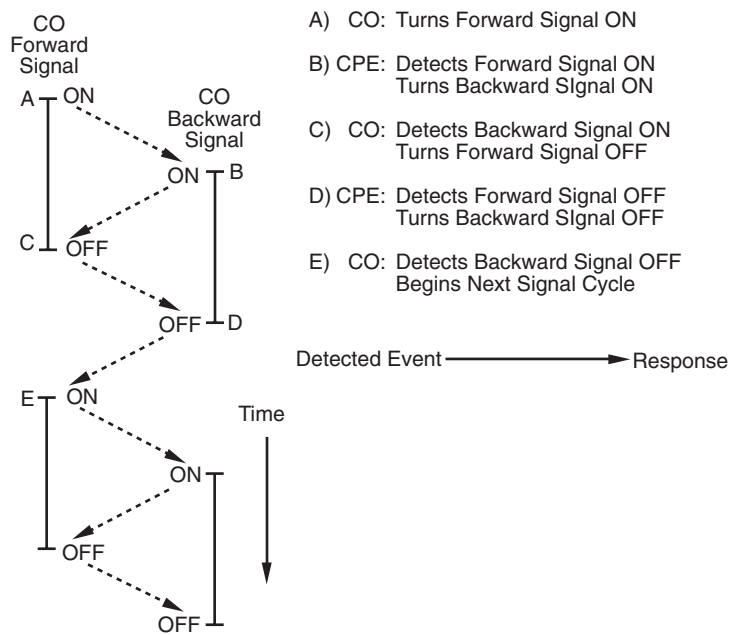
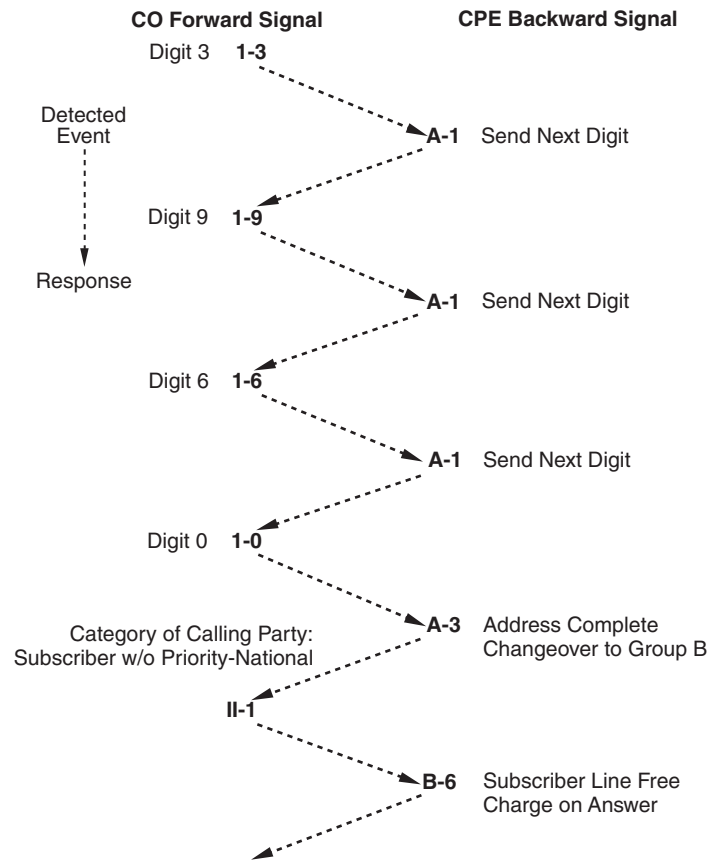


Figure 25. Example of R2/MF Signals for 4-digit DDI Application



15.6 R2/MF Voice Library Functions

The R2/MF voice library functions are not supported on DM3 boards. For R2/MF signaling on DM3 boards, see the Global Call documentation set.

The voice software support for R2/MF signaling is based on global tone detection and global tone generation.

The following R2/MF functions allow you to define R2/MF tones for detecting the forward signals and to play the backward signals in the correct timing sequence required by the compelled signaling procedure:

r2_creatfsig()
create R2/MF Forward Signal Tone

r2_playbsig()
play R2/MF Backward Signal

See the *Voice API Library Reference* for a detailed description of these functions.

Four sets of defines are provided to specify the 15 Group I and 15 Group II forward signals, and the 15 Group A and 15 Group B backward signals. For a list of these defines, see [Table 24, “Meanings for R2/MF Group I Forward Signals”](#), on page 180, [Table 25, “Meanings for R2/MF Group II Forward Signals”](#), on page 181, [Table 26, “Meanings for R2/MF Group A Backward Signals”](#), on page 182, and [Table 27, “Meanings for R2/MF Group B Backward Signals”](#), on page 183.

15.7 R2/MF Tone Detection Template Memory Requirements

To implement R2/MF signaling, the board must have sufficient memory blocks to create the number of user-defined tones required by your application. Your application may not need to detect all 15 forward signals, especially if you do not need to support R2/MF signaling for international calls. If that is the case, your application can work with a reduced number of R2/MF tones.

High-density boards such as D/160SC-LS, D/240JCT-T1, and D/300JCT-E1 normally contain sufficient memory to create the necessary R2/MF tones. However, you should be aware of the maximum number of user-defined tones (including non-R2/MF tones) allowed on the board.

Low-density boards such as D/41JCT-LS, D/41H, Dialog/4, and ProLine/2V boards may also be able to create all 15 R2/MF tones due to the overlap in frequencies for the R2/MF signals. If creating these tones exceeds the maximum number of tones allowed, you may be able to support R2/MF signaling through a reduced number of R2/MF user-defined tones.

See [Section 13.1.8, “Maximum Amount of Memory for Tone Templates”](#), on page 152 for more information.

Syntellect License Automated Attendant

This chapter discusses Intel® hardware and software that include a license for the Syntellect Technology Corporation (STC) patent portfolio:

- Overview of Automated Attendant Function. 187
- Syntellect License Automated Attendant Functions 188
- How to Use the Automated Attendant Function Call 188

16.1 Overview of Automated Attendant Function

The information in this chapter does not apply to DM3 boards. In addition, it only applies to Windows.

As a result of a patent license agreement between Dialogic and Syntellect Technology Corporation (STC), you can purchase products that are licensed for specific telephony patents held by Syntellect Technology Corporation directly from Intel. These patents cover a range of common functions used in computer telephony such as automated attendant, automated access and call processing to facilitate call completions.

One way to protect yourself from possible patent infringement is by purchasing specific Intel hardware and software that include a license for the Syntellect Technology Corporation (STC) patent portfolio. Boards that support the Syntellect License Automated Attendant have “STC” included in the part number.

By doing so, you participate in a program that covers past, present and future applications. (Any Intel product that does not contain the “STC” designation in its part number is not licensed under the STC patent portfolio.)

The Syntellect software is designed to be incorporated into any type of application. If your application requires patented Syntellect technology, you can use the API function calls in the Syntellect software to assure that licensed STC-enabled hardware is in the system, and if so, you can implement the patented functions.

The Syntellect hardware and software package offers a superset of features not available on non-STC boards. They include:

- a new library of API function calls
- a sample automated attendant application that can be integrated in your voice processing application. The automated attendant:
 - checks for an incoming call
 - answers the call and plays a voice file

- receives digit input and transfers the call to the proper extension
- the source code and demonstration code for the automated attendant application

16.2 Syntellect License Automated Attendant Functions

Intel boards that are enabled with the Syntellect Technology Corporation (STC) patent license offer a new library interface that contains several API functions.

The following functions are described in the *Voice API Library Reference*:

li_attendant()

Performs the actions of an automated attendant.

li_islicensed_syntellect()

Returns TRUE/FALSE value on whether the STC license is enabled on the board.

16.3 How to Use the Automated Attendant Function Call

The **li_attendant()** API performs the actions of an automated attendant. This API operates in loop forever, synchronous mode and is designed to work in your application as a “created” thread.

To use this function in your application:

- You must provide the address of the **li_attendant()** as the entry point to the system call **_beginthread()**. Do not use **createthread()**.
- Before the **li_attendant()** thread can be created, your application must initialize a data structure providing information for the proper operation of the **li_attendant()** thread. This data structure, called **DX_ATTENDANT**, is described in the *Voice API Library Reference*.

To provide a way to terminate the **li_attendant()** thread, you must define a “named event” in the data structure. During the initialization process, the API verifies that the data structure contains valid entries. It checks for the presence of the named event. If the named event exists, **li_attendant()** continues and runs the automated attendant. If the named event does not exist, an error is returned. If the channel is on a non-STC board, **li_attendant()** terminates.

For more information on the synchronous programming model, refer to the *Standard Runtime Library API Programming Guide*.

This chapter provides information on building applications using the voice library. The following topics are discussed:

- [Voice and SRL Libraries](#) 189
- [Compiling and Linking](#) 190

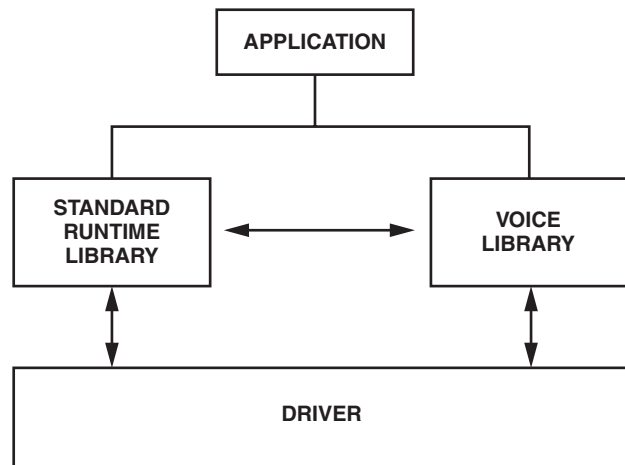
17.1 Voice and SRL Libraries

The C-language application programming interface (API) included with the voice software provides a library of functions used to create voice processing applications.

The voice library and Standard Runtime Library (SRL) files are part of the voice software. These libraries provide the interface to the voice driver. For detailed information on the SRL, see the *Standard Runtime Library API Programming Guide* and *Standard Runtime Library API Programming Guide*.

Figure 26 illustrates how the voice and SRL libraries interface with the driver.

Figure 26. Voice and SRL Libraries



17.2 Compiling and Linking

The following topics discuss compiling and linking requirements:

- [Include Files](#)
- [Required Libraries](#)
- [Run-time Linking](#)
- [Variables for Compiling and Linking](#)

17.2.1 Include Files

Function prototypes and equates are defined in include files, also known as header files. Applications that use voice library functions must contain statements for include files in this form, where filename represents the include file name:

```
#include <filename.h>
```

The following header files must be included in application code **in the order shown** prior to calling voice library functions:

srllib.h

Contains function prototypes and equates for the Standard Runtime Library (SRL). Used for all application development.

dxxlib.h

Contains function prototypes and equates for the voice library. Used for voice processing applications.

Note: *srllib.h* must be included in code before all other Intel header files.

17.2.2 Required Libraries

Simple C language interfaces in source-code format are provided to each individual technology DLL (such as standard runtime, voice, fax, and network interfaces). These C language interfaces allow an application to perform run-time linking instead of compile-time linking.

Note: Compile-time linking requires that all functions called in an application be contained in the DLL that resides on the system.

By default, the library files are located in the directory given by the INTEL_DIALOGIC_LIB environment variable.

Linux

You must link the following shared object library files **in the order shown** when compiling your voice processing application:

libdxxx.so

Main voice library file. Specify **-ldxxx** in makefile.

libsrl.so

Standard Runtime Library file. Specify **-lsrl** in makefile.

If you use **courses**, you must ensure that it is the last library to be linked.

Windows

You must link the following library files **in the order shown** when compiling your voice processing application:

libdxxmt.lib

Main voice library file.

libsrlmt.lib

Standard Runtime Library file.

17.2.3 Run-time Linking

This section applies to Windows only.

Run-time linking resolves the entry points to the Intel Dialogic DLLs when the application is loaded and executed. This allows the application to contain function calls that are not contained in the DLL that resides on the target system.

To use run-time linking, the application can call the Windows **LoadLibrary()** function to load a specific technology DLL and a series of **GetProcAddress()** function calls to set up the address pointers for the functions.

17.2.4 Variables for Compiling and Linking

The following variables provide a standardized way of referencing the directories that contain header files and shared objects:

INTEL_DIALOGIC_INC

Variable that points to the directory where header files are stored.

INTEL_DIALOGIC_LIB

Variable that points to the directory where shared library files are stored.

These variables are automatically set at login and should be used in compiling and linking commands. The following is an example of a compiling and linking command that uses these variables:

```
cc -I${INTEL_DIALOGIC_INC} -o myapp myapp.c -L${INTEL_DIALOGIC_LIB} -lsrl
```

Note: It is strongly recommended that you use these variables when compiling and linking applications. The name of the variables will remain constant, but the values may change in future releases.

Glossary

A-law: Pulse Code Modulation (PCM) algorithm used in digitizing telephone audio signals in E1 areas. Contrast with [mu-law](#).

ADPCM (Adaptive Differential Pulse Code Modulation): A sophisticated compression algorithm for digitizing audio that stores the differences between successive samples rather than the absolute value of each sample. This method of digitization reduces storage requirements from 64 kilobits/second to as low as 24 kilobits/second.

ADSI (Analog Display Services Interface): A Telcordia Technologies (previously Bellcore) standard defining a protocol for the flow of information between a switch, a server, a voice mail system, a service bureau, or a similar device and a subscriber's telephone, PC, data terminal, or other communicating device with a screen. ADSI adds words to a system that usually only uses touch tones. It displays information on a screen attached to a phone. ADSI's signaling is DTMF and standard Bell 202 modem signals from the service to a 202-modem-equipped phone.

AGC (Automatic Gain Control): An electronic circuit used to maintain the audio signal volume at a constant level. AGC maintains nearly constant gain during voice signals, thereby avoiding distortion, and optimizes the perceptual quality of voice signals by using a new method to process silence intervals (background noise).

analog: 1. A method of telephony transmission in which the signals from the source (for example, speech in a human conversation) are converted into an electrical signal that varies continuously over a range of amplitude values analogous to the original signals. 2. Not digital signaling. 3. Used to refer to applications that use loop start signaling.

ANI (Automatic Number Identification): Identifies the phone number that is calling. Digits may arrive in analog or digital form.

API (Application Programming Interface): A set of standard software interrupts, calls, and data formats that application programs use to initiate contact with network services, mainframe communications programs, or other program-to-program communications.

ASCIIZ string: A null-terminated string of ASCII characters.

asynchronous function: A function that allows program execution to continue without waiting for a task to complete. To implement an asynchronous function, an application-defined event handler must be enabled to trap and process the completed event. Contrast with [synchronous function](#).

bit mask: A pattern which selects or ignores specific bits in a bit-mapped control or status field.

bitmap: An entity of data (byte or word) in which individual bits contain independent control or status information.

board device: A board-level object that can be manipulated by a physical library. Board devices can be real physical boards, such as a D/41JCT-LS, or virtual boards. See [virtual board](#).

board locator technology (BLT): Operates in conjunction with a rotary switch to determine and set non-conflicting slot and IRQ interrupt-level parameters, thus eliminating the need to set confusing jumpers or DIP switches.

buffer: A block of memory or temporary storage device that holds data until it can be processed. It is used to compensate for the difference in the rate of the flow of information (or time occurrence of events) when transmitting data from one device to another.

bus: An electronic path that allows communication between multiple points or devices in a system.

busy device: A device that has one of the following characteristics: is stopped, being configured, has a multitasking or non-multitasking function active on it, or I/O function active on it.

cadence: A pattern of tones and silence intervals generated by a given audio signal. The pattern can be classified as a single ring, a double ring, or a busy signal.

cadence detection: A voice driver feature that analyzes the audio signal on the line to detect a repeating pattern of sound and silence.

call progress analysis: A process used to automatically determine what happens after an outgoing call is dialed. On DM3 boards, a further distinction is made. Call progress refers to activity that occurs before a call is connected (pre-connect), such as busy or ringback. Call analysis refers to activity that occurs after a call is connected (post-connect), such as voice detection and answering machine detection. The term call progress analysis is used to encompass both call progress and call analysis.

call status transition event functions: A class of functions that set and monitor events on devices.

caller ID: calling party identification information.

CCITT (Comite Consultatif Internationale de Telegraphique et Telephonique): One of the four permanent parts of the International Telecommunications Union, a United Nations agency based in Geneva. The CCITT is divided into three sections: 1. Study Groups set up standards for telecommunications equipment, systems, networks, and services. 2. Plan Committees develop general plans for the evolution of networks and services. 3. Specialized Autonomous Groups produce handbooks, strategies, and case studies to support developing countries.

channel: 1. When used in reference to an Intel analog expansion board, an audio path, or the activity happening on that audio path (for example, when you say the channel goes off-hook). 2. When used in reference to an Intel[®] digital expansion board, a data path, or the activity happening on that data path. 3. When used in reference to a bus, an electrical circuit carrying control information and data.

channel device: A channel-level object that can be manipulated by a physical library, such as an individual telephone line connection. A channel is also a subdevice of a board. See also [subdevice](#).

CO (Central Office): A local phone network exchange, the telephone company facility where subscriber lines are linked, through switches, to other subscriber lines (including local and long distance lines). The term “Central Office” is used in North America. The rest of the world calls it “PTT”, for Post, Telephone, and Telegraph.

computer telephony (CT): The extension of computer-based intelligence and processing over the telephone network to a telephone. Sometimes called computer-telephony integration (CTI), it lets you interact with computer databases or applications from a telephone, and enables computer-based applications to access the telephone



network. Computer telephony technology supports applications such as: automatic call processing; automatic speech recognition; text-to-speech conversion for information-on-demand; call switching and conferencing; unified messaging, which lets you access or transmit voice, fax, and e-mail messages from a single point; voice mail and voice messaging; fax systems, including fax broadcasting, fax mailboxes, fax-on-demand, and fax gateways; transaction processing, such as Audiotex and Pay-Per-Call information systems; and call centers handling a large number of agents or telephone operators for processing requests for products, services, or information.

configuration file: An unformatted ASCII file that stores device initialization information for an application.

convenience function: A class of functions that simplify application writing, sometimes by calling other, lower-level API functions.

CPE: customer premise equipment.

CT Bus: Computer Telephony bus. A time division multiplexing communications bus that provides 4096 time slots for transmission of digital information between CT Bus products. See [TDM bus](#).

data structure: Programming term for a data element consisting of fields, where each field may have a different type definition and length. A group of data structure elements usually share a common purpose or functionality.

DCM: configuration manager. On Windows only, a utility with a graphical user interface (GUI) that enables you to add new boards to your system, start and stop system service, and work with board configuration data.

debouncing: Eliminating false signal detection by filtering out rapid signal changes. Any detected signal change must last for the minimum duration as specified by the debounce parameters before the signal is considered valid. Also known as deglitching.

deglitching: See [debouncing](#).

device: A computer peripheral or component controlled through a software device driver. An Intel voice and/or network interface expansion board is considered a physical board containing one or more logical board devices, and each channel or time slot on the board is a device.

device channel: An Intel voice data path that processes one incoming or outgoing call at a time (equivalent to the terminal equipment terminating a phone line).

device driver: Software that acts as an interface between an application and hardware devices.

device handle: Numerical reference to a device, obtained when a device is opened using `xx_open()`, where `xx` is the prefix defining the device to be opened. The device handle is used for all operations on that device.

device name: Literal reference to a device, used to gain access to the device via an `xx_open()` function, where `xx` is the prefix defining the device to be opened.

digitize: The process of converting an analog waveform into a digital data set.

DM3: Refers to Intel mediastream processing architecture, which is open, layered, and flexible, encompassing hardware as well as software components. A whole set of products from Intel are built on the Intel® DM3™ architecture. Contrast with [Springware](#), which is earlier-generation architecture.

download: The process where board level program instructions and routines are loaded during board initialization to a reserved section of shared RAM.

downloadable Springware firmware: Software features loaded to Intel voice hardware. Features include voice recording and playback, enhanced voice coding, tone detection, tone generation, dialing, call progress analysis, voice detection, answering machine detection, speed control, volume control, ADSI support, automatic gain control, and silence detection.

driver: A software module which provides a defined interface between an application program and the firmware interface.

DSP (Digital Signal Processor): A specialized microprocessor designed to perform speedy and complex operations on digital signals.

DTMF (Dual-Tone Multi-Frequency): Push-button or touch-tone dialing based on transmitting a high- and a low-frequency tone to identify each digit on a telephone keypad.

E1: A CEPT digital telephony format devised by the CCITT, used in Europe and other countries around the world. A digital transmission channel that carries data at the rate of 2.048 Mbps (DS-1 level). CEPT stands for the Conference of European Postal and Telecommunication Administrations. Contrast with [T1](#).

echo: The component of an analog device's receive signal reflected into the analog device's transmit signal.

echo cancellation: Removal of echo from an echo-carrying signal.

emulated device: A virtual device whose software interface mimics the interface of a particular physical device, such as a D/4x boards that is emulated by a D/12x board. On a functional level, a D/12x board is perceived by an application as three D/4x boards. Contrast with [physical device](#).

event: An unsolicited or asynchronous message from a hardware device to an operating system, application, or driver. Events are generally attention-getting messages, allowing a process to know when a task is complete or when an external event occurs.

event handler: A portion of an application program designed to trap and control processing of device-specific events.

extended attribute functions: A class of functions that take one input parameter (a valid Intel device handle) and return device-specific information. For instance, a voice device's extended attribute function returns information specific to the voice devices. Extended attribute function names are case-sensitive and must be in capital letters. See also [standard runtime library \(SRL\)](#).

firmware: A set of program instructions that reside on an expansion board.

firmware load file: The firmware file that is downloaded to a voice board.

flash: A signal generated by a momentary on-hook condition. This signal is used by the voice hardware to alert a telephone switch that special instructions will follow. It usually initiates a call transfer. See also [hook state](#).

frequency shift keying (FSK): A frequency modulation technique used to send digital data over voice band telephone lines.



G.726: An international standard for encoding 8 kHz sampled audio signals for transmission over 16, 24, 32 and 40 kbps channels. The G.726 standard specifies an adaptive differential pulse code modulation (ADPCM) system for coding and decoding samples.

GSM (Global System for Mobile Communications): A digital cellular phone technology based on time division multiple access (TDMA) used in Europe, Japan, Australia and elsewhere around the world.

hook state: A general term for the current line status of the channel: either on-hook or off-hook. A telephone station is said to be on-hook when the conductor loop between the station and the switch is open and no current is flowing. When the loop is closed and current is flowing, the station is off-hook. These terms are derived from the position of the old fashioned telephone set receiver in relation to the mounting hook provided for it.

hook switch: The circuitry that controls the on-hook and off-hook state of the voice device telephone interface.

I/O: Input-Output

idle device: A device that has no functions active on it.

in-band: The use of robbed-bit signaling (T1 systems only) on the network. The signaling for a particular channel or time slot is carried within the voice samples for that time slot, thus within the 64 kbps (kilobits per second) voice bandwidth.

in-band signaling: (1) In an analog telephony circuit, in-band refers to signaling that occupies the same transmission path and frequency band used to transmit voice tones. (2) In digital telephony, in-band means signaling transmitted within an 8-bit voice sample or time slot, as in T1 “robbed-bit” signaling.

kernel: A set of programs in an operating system that implement the system’s functions.

loop: The physical circuit between the telephone switch and the voice processing board.

loop current: The current that flows through the circuit from the telephone switch when the voice device is off-hook.

loop current detection: A voice driver feature that returns a connect after detecting a loop current drop.

loop start: In an analog environment, an electrical circuit consisting of two wires (or leads) called tip and ring, which are the two conductors of a telephone cable pair. The CO provides voltage (called “talk battery” or just “battery”) to power the line. When the circuit is complete, this voltage produces a current called loop current. The circuit provides a method of starting (seizing) a telephone line or trunk by sending a supervisory signal (going off-hook) to the CO.

loop-start interfaces: Devices, such as an analog telephones, that receive an analog electric current. For example, taking the receiver off-hook closes the current loop and initiates the calling process.

mu-law: (1) Pulse Code Modulation (PCM) algorithm used in digitizing telephone audio signals in T1 areas. (2) The PCM coding and companding standard used in Japan and North America. See also [A-law](#).

off-hook: The state of a telephone station when the conductor loop between the station and the switch is closed and current is flowing. When a telephone handset is lifted from its cradle (or an equivalent condition occurs), the telephone line state is said to be off-hook. See also [hook state](#).

on-hook: Condition or state of a telephone line when a handset on the line is returned to its cradle (or an equivalent condition occurs). See also [hook state](#).

PBX: Private Branch Exchange. A small version of the phone company's larger central switching office. A local premises or campus switch.

PCM (Pulse Code Modulation): A technique used in DSP voice boards for reducing voice data storage requirements. Intel supports either mu-law PCM, which is used in North America and Japan, or A-law PCM, which is used in the rest of the world.

physical device: A device that is an actual piece of hardware, such as a D/4x board; not an emulated device. See [emulated device](#).

polling: The process of repeatedly checking the status of a resource to determine when state changes occur.

PSTN (or STN): Public (or Private) Switched Telephony Network

resource: Functionality (for example, voice-store-and-forward) that can be assigned to a call. Resources are *shared* when functionality is selectively assigned to a call and may be shared among multiple calls. Resources are *dedicated* when functionality is fixed to the one call.

resource board: An Intel expansion board that needs a network or switching interface to provide a technology for processing telecommunications data in different forms, such as voice store-and-forward, speech recognition, fax, and text-to-speech.

RFU: reserved for future use

ring detect: The act of sensing that an incoming call is present by determining that the telephone switch is providing a ringing signal to the voice board.

robbed-bit signaling: The type of signaling protocol implemented in areas using the T1 telephony standard. In robbed-bit signaling, signaling information is carried in-band, within the 8-bit voice samples. These bits are later stripped away, or "robbed," to produce the signaling information for each of the 24 time slots.

route: Assign a resource to a time slot.

sampling rate: Frequency at which a digitizer quantizes the analog voice signal.

SCbus (Signal Computing Bus): A hardwired connection between Switch Handlers on SCbus-based products. SCbus is a third generation TDM (Time Division Multiplexed) resource sharing bus that allows information to be transmitted and received among resources over 1024 time slots.

SCR: See [silence compressed record](#).

signaling insertion: The signaling information (on hook/off hook) associated with each channel is digitized, inserted into the bit stream of each time slot by the device driver, and transmitted across the bus to another resource device. The network interface device generates the outgoing signaling information.

silence compressed record: A recording that eliminates or limits the amount of silence in the recording without dropping the beginning of words that activate recording.



silence threshold: The level that sets whether incoming data to the voice board is recognized as silence or non-silence.

SIT: (1) Standard Information Tones: tones sent out by a central office to indicate that the dialed call has been answered by the distant phone. (2) Special Information Tones: detection of a SIT sequence indicates an operator intercept or other problem in completing the call.

solicited event: An expected event. It is specified using one of the device library's asynchronous functions.

Springware: Software algorithms built into the downloadable firmware that provide the voice processing features available on older-generation Intel® Dialogic® voice boards. The term Springware is also used to refer to a whole set of boards from Intel built using this architecture. Contrast with [DM3](#), which is a newer-generation architecture.

SRL: See **Standard Runtime Library**.

standard attribute functions: Class of functions that take one input parameter (a valid device handle) and return generic information about the device. For instance, standard attribute functions return IRQ and error information for all device types. Standard attribute function names are case-sensitive and must be in capital letters. Standard attribute functions for Intel telecom devices are contained in the SRL. See [standard runtime library \(SRL\)](#).

standard runtime library (SRL): An Intel software resource containing event management and standard attribute functions and data structures used by Intel telecom devices.

station device: Any analog telephone or telephony device (such as a telephone or headset) that uses a loop-start interface and connects to a station interface board.

string: An array of ASCII characters.

subdevice: Any device that is a direct child of another device. Since “subdevice” describes a relationship between devices, a subdevice can be a device that is a direct child of another subdevice, as a channel is a child of a board.

synchronous function: Blocks program execution until a value is returned by the device. Also called a blocking function. Contrast with [asynchronous function](#).

system release: The software and user documentation provided by Intel that is required to develop applications.

T1: The digital telephony format used in North America and Japan. In T1, 24 voice conversations are time-division multiplexed into a single digital data stream containing 24 time slots. Signaling data are carried “in-band”; as all available time slots are used for conversations, signaling bits are substituted for voice bits in certain frames. Hardware at the receiving end must use the “robbed-bit” technique for extracting signaling information. T1 carries data at the rate of 1.544 Mbps (DS-1 level).

TDM (Time Division Multiplexing): A technique for transmitting multiple voice, data, or video signals simultaneously over the same transmission medium. TDM is a digital technique that interleaves groups of bits from each signal, one after another. Each group is assigned its own time slot and can be identified and extracted at the receiving end. See also [time slot](#).

TDMA (Time Division Multiple Access): A method of digital wireless communication using time division multiplexing.

TDM bus: Time division multiplexing bus. A resource sharing bus such as the SCbus or CT Bus that allows information to be transmitted and received among resources over multiple data lines.

termination condition: An event or condition which, when present, causes a process to stop.

termination event: An event that is generated when an asynchronous function terminates. See also **asynchronous function**.

time division multiplexing (TDM): See [TDM \(Time Division Multiplexing\)](#).

time slot: The smallest, switchable data unit on a TDM bus. A time slot consists of 8 consecutive bits of data. One time slot is equivalent to a data path with a bandwidth of 64 kbps. In a digital telephony environment, a normally continuous and individual communication (for example, someone speaking on a telephone) is (1) digitized, (2) broken up into pieces consisting of a fixed number of bits, (3) combined with pieces of other individual communications in a regularly repeating, timed sequence (multiplexed), and (4) transmitted serially over a single telephone line. The process happens at such a fast rate that, once the pieces are sorted out and put back together again at the receiving end, the speech is normal and continuous. Each individual, pieced-together communication is called a time slot.

time slot assignment: The ability to route the digital information contained in a time slot to a specific analog or digital channel on an expansion board. See also [device channel](#).

transparent signaling: The mode in which a network interface device accepts signaling data from a resource device transparently, or without modification. In transparent signaling, outgoing T1 signaling bits are generated by a TDM bus resource device. In effect the resource device performs signaling to the network.

underrun: data is not being delivered to the board quickly enough which can result in loss of data and gaps in the audio

virtual board: The device driver views a single physical voice board with more than four channels as multiple emulated D/4x boards. These emulated boards are called virtual boards. For example, a D/120JCT-LS has 12 channels of voice processing and contains three virtual boards.

voice processing: The science of converting human voice into data that can be reconstructed and played back at a later time.

voice system: A combination of expansion boards and software that lets you develop and run voice processing applications.

wink: In T1 or E1 systems, a signaling bit transition from on to off, or off to on, and back again to the original state. In T1 systems, the wink signal can be transmitted on either the A or B signaling bit. In E1 systems, the wink signal can be transmitted on either the A, B, C, or D signaling bit. Using either system, the choice of signaling bit and wink polarity (on-off-on or off-on-off hook) is configurable through DTI/xxx board download parameters.

A

- Adaptive Differential Pulse Code Modulation (ADPCM) 91
- address signals, R2/MF signaling 175
- ADPCM, G.726 91
- ADPCM, IMA 90
- ADSI_XFERSTRUC data structure 126, 127
- A-law PCM 90
- Analog Display Services Interface (ADSI) 21, 121
- answering machine detection 70
- asynchronous programming model 23
- ATDV_ERRMSGP() 29
- ATDV_LASTERR() 29
- ATDX_CONNTYPE() 55, 70
- ATDX_CPTERM() 47, 61
- ATDX_CRTNID() 53, 68
- ATDX_FRQDUR() 75
- ATDX_FRQDUR2() 76
- ATDX_FRQDUR3() 76
- ATDX_FRQHZ() 75
- ATDX_FRQHZ2() 75
- ATDX_FRQHZ3() 76
- ATDX_TERMMSK() 126, 127, 156

B

- backward signals (CCITT Signaling System tones) 175, 177
- basic call progress analysis 44
- beginthread() 188
- busy state 31
- busy tone 162
- busy tone detection 53, 68
- busy verification tone 162

C

- C language interfaces 190
- cached prompt management 141
 - device discovery 141
 - downloading prompts 142
 - hints 143
 - physical board handle 142
 - playing prompts 142
 - sample application 144

- cadence detection 44, 78
- cadenced tone generation 157
 - custom tone 157
 - dx_playtoneEx() 157
- call progress analysis 44
 - activating, Springware 62
 - ATDX_CPERROR() 60
 - ATDX_CPTERM() 47, 61
 - busy tone detection 53
 - call outcomes 49, 63
 - components 45, 46
 - dial tone detection 67
 - disabling, Springware 62
 - DM3 46
 - DM3 scenarios 47
 - DX_CAP parameter structure 48, 61
 - errors 60
 - extended attribute functions, DM3 50
 - extended attribute functions, Springware 64
 - fax machine detection, DM3 68
 - fax tone detection, Springware 53
 - frequency detection 73
 - errors 76
 - initiating, DM3 48
 - initiating, Springware 62
 - modem detection 53, 68
 - modifying tone definitions, DM3 57
 - modifying tone definitions, Springware 71
 - positive answering machine detection, DM3 55
 - positive answering machine detection, Springware 70
 - positive voice detection 70
 - positive voice detection, DM3 55
 - ringback detection 52, 67
 - SIT tones 73
 - Springware 60
 - termination results 49, 63
 - tone definitions 71
 - tone detection, DM3 51
 - tone detection, Springware 66
 - tone template, DM3 56
 - tone template, Springware 71
 - tone types 66
 - tone types, DM3 51
 - tri-tone frequency detection parameters 73
 - types 44
 - use of global tone detection 71
 - using Global Call API 44
- call progress signals, PBX 160

- call status transition
 - event handling
 - asynchronous 151
 - synchronous 151
- call waiting tone 162
- caller ID
 - accessing information 137
 - enabling 138
 - error handling 138
 - support 135
 - supported formats 135
- CCITT Signaling System R2/MF tones 176
- channel
 - definition 25
- CLASS caller ID 135
- cluster configuration 36
- coders 89
- compelled signaling, R2/MF 183
- compile-time linking 190
- compiling
 - library files 190, 191
 - variables 191
- CON_CAD connection type 67
- CON_LPC connection type 69
- CON_PAMD connection type 70
- CON_PVD connection type 70
- configuration
 - fixed/flexible routing 35
- confirmation tone 162
- continuous tone 160
- convenience functions
 - dx_wtcallid() 137
 - speed and volume 113
- coupled resources 36
- CP_BUSY 162
- CP_BUSY_VERIFY_A 162
- CP_BUSY_VERIFY_B 162
- CP_CALLWAIT1 162
- CP_CALLWAIT2 162
- CP_DIAL 162
- CP_EXEC_OVERRIDE 162
- CP_FEATURE_CONFIRM 162
- CP_INTERCEPT 162
- CP_MSG_WAIT_DIAL 162
- CP_RECALL_DIAL 162
- CP_REORDER 162, 165
- CP_RINGBACK1 162
- CP_RINGBACK1_CALLWAIT 162

- CP_RINGBACK2 162
- CP_RINGBACK2_CALLWAIT 162
- CP_STUTTER_DIAL 162
- CT Bus 22
- curses 191
- Custom Local Area Signaling Services 135

D

- data formats 89
- data structures
 - clearing 35
- DDI (Direct Dialing-In) service 176
- DE_WINK event 42
- device
 - definition 25
 - handle for 25
 - initializing hint 39
 - states of 31
- device mapper functions 26
- device name
 - definition 25
- dial pulse detection 19
 - see Global DPD 169
- dial tone 162
 - detection 67
- dial tone (message waiting) 162
- dial tone (recall) 162
- dial tone (stutter) 162
- Dialed Number Identification Service (DNIS) 176
- DID (Direct Inward Dialing) service 176
- digitizing methods 89
- disabling call progress analysis, Springware 62
- DM_WINK 42
- DM3
 - call progress analysis scenarios 47
 - tone definitions 56
- DNIS (Dialed Number Identification Service) 176
- DV_DIGIT data structure 171
- DV_TPT data structure 126, 127
 - clearing 35
 - setting termination conditions 32
- dx_addspddig() 113
- dx_addtone() 149
 - used with global tone detection 148
 - used with tone templates 150
- dx_addvoldig() 114
- dx_adjsv() 114, 118
- dx_blddt() 149



dx_blddtcad() 149
dx_bldst() 149
dx_bldstcad() 149
dx_bldtngen() 156
DX_CAP data structure 48, 61, 70
 clearing 35
 SIT tone setup 73
dx_chgdur() 72
dx_chgfreq() 72
dx_chgrepcnt() 72
dx_clrcap() 35, 48, 61
dx_clrtp() 35
dx_createtone() 58
DX_CST data structure 172
dx_deletetone() 58
dx_deltone() 62
 used with tone templates 151
dx_dial() 48, 61, 62
 DM3 support 47
 Springware support 47
dx_distone() 151
dx_enbtone() 151
dx_getcachesize() 142
dx_getdig() 34, 118, 171
 used with global tone detection 148
dx_getevt() 151
dx_getfeaturelist() 39, 126, 127
dx_getparm() 126
dx_getsvmt() 115
dx_getxmitslot() 103
dx_getxmitslotecr() 103
dx_gtcalled() 137
dx_gtextcalled() 137
dx_initcallp() 61, 62
dx_listen() 103
dx_mreciottdata() 92
dx_open() 39
dx_play() 88, 122
dx_playf() 88, 122
dx_playiottdata() 92
dx_playtone() 156
dx_playtoneEx()
 used with cadenced tone generation 157
dx_playvox() 88
dx_querytone() 57
dx_rec() 88, 94
dx_recf() 88
dx_reciottdata() 92, 95
dx_recm() 93
dx_recmf() 93
dx_recvox() 88
dx_RxIottData() 122
dx_RxIottdata() 126, 127
dx_setdevuio() 35
dx_setdigtyp() 171
dx_setevtmsk() 42, 151
dx_setgt damp() 149
dx_sethook() 42
dx_setparm() 126
 enabling caller ID 138
dx_setsvcond() 114, 118
dx_setsvmt() 115, 118
dx_setuio() 35
DX_SVCB data structure 118
DX_SVMT data structure 118
dx_TxIottData() 122
dx_TxIottdata() 126, 127
dx_TxRxIottData() 122
dx_TxRxIottdata() 126, 127
dx_unlistenecr() 103
dx_wtcalled() 137
DXBD_OFFHDLY 42
DXCH_MAXRWINK 42
DXCH_MINRWINK 42
DXCH_WINKDLY 41
DXCH_WINKLEN 41
dxxlib.h 190

E

echo cancellation resource (ECR) 102
 application models 105
 modes of operation 104
echo component 102
echo reference signal 102
echo-carrying signal 102
ECR 101
ECR mode, echo canceller 104
encoding algorithms 89
 G.726 details 91
 support in SCR 95
 supported for recording with VAD 96
enhanced call progress analysis 18, 44
error handling 29
error handling in caller ID 138

- ETSI-FSK channel parameters 126
- ETSI-FSK specification 125
- event handling 27
- event management functions 27
- executive override tone 162
- extended attribute functions
 - call progress analysis, DM3 50
 - call progress analysis, Springware 64

F

- fast busy 162
- fax machine detection 68
- fax tone detection 45, 53
- FEATURE_TABLE data structure 126, 127
- fixed routing
 - configuration 35
 - configuration, restrictions 37
- flexible routing
 - configuration 35
- forward signals (CCITT signaling system tones) 175, 176
- frequency detection 44, 73
- frequency shift keying (FSK) 21, 121
- functions
 - error 29

G

- G.711 PCM A-law voice coder 91
- G.711 PCM mu-law voice coder 91
- G.721 voice coder 90
- G.726 bit exact voice coder 90, 91
- global dial pulse detection 19, 169
- Global DPD
 - example code 173
 - getting digits 171, 172
- global DPD 19, 169
 - enabling 171
 - improving detection 171

- global tone detection
 - applications 155
 - building tone templates 148
 - call progress analysis memory usage 76
 - defining tones 148
 - definition 147
 - leading edge detection 155
 - maximum number of tones 153, 154
 - multiprocessing considerations 38
 - R2/MF 185
 - using with PBX 149
 - with caller ID 135
- global tone generation
 - cadenced 157
 - definition 155
 - R2/MF 185
 - TN_GEN data structure 156
 - tone generation template 156
- GSM 6.10 full rate voice coder 90, 91

H

- header files
 - voice and SRL 190
- hot swap
 - cached prompts 143

I

- I/O functions
 - terminations 32
- idle state 31
- IMA ADPCM 90
- include files
 - voice and SRL 190
- incoming register 179
- incoming register, R2/MF signaling 175
- incoming signals, indicating 179
- independent resources 36
- infinite tone 160
- INTEL_DIALOGIC_INC 191
- INTEL_DIALOGIC_LIB 191
- intercept tone 162
- interregister signals, R2/MF signaling 175

L

- leading edge detection using debounce time 155
- libdxxmt.lib 191
- libdxxx.so 190
- library files 190, 191



- libsr.so 190
- libsrmt.lib 191
- line signals, R2/MF signaling 176
- linear PCM 90, 91
- linking
 - library files 190, 191
 - variables 191
- loop current detection 44
 - parameters affecting a connect 69
 - use in call progress analysis 69

M

- media loads 39
- memory requirements, R2/MF 186
- message waiting dial tone 162
- modem detection 68
- modem tone detection 53
- mu-law PCM 90
- multiprocessing 38
- multithreading 38

N

- named event 188
- non-cadenced tone 160

O

- OKI ADPCM 90, 91
- one-way ADSI
 - implementing 128
 - technical overview 128
- operator intercept
 - SIT tones 73
- outgoing register 175
- outgoing register, R2/MF signaling 175

P

- PAMD 55, 70
- PAMD See Positive Answering Machine Detection 70
- PAMD_ACCU 70
- PAMD_FULL 70
- PAMD_QUICK 70
- parameter files, voice.prm 94
- patent license
 - Syntellect 187

- PBX call progress signals
 - cadenced tone generation 157
 - standard 160
- PerfectCall call progress analysis 44
- physical board
 - definition 25
 - enumeration 26
- playback 87
 - pausing and resuming 99
- positive answering machine detection 45, 70
- positive answering machine detection, DM3 55
- positive voice detection 44
- positive voice detection using call progress analysis 70
- positive voice detection, DM3 55
- post-connect call analysis 44
- pre-connect call progress 44
- Private Branch Exchange (PBX) Switching Equipment requirements 166
- programming models 23
- prompts, cached 141

R

- R2/MF signaling
 - backward signals 177, 179
 - compelled signaling 183
 - DDI (Direct Dialing-In) service 176
 - DNIS (Dialed Number Identification Service) 176
 - forward signals 176
 - Group I and II signals 178
 - incoming register 175
 - maximum number of tones 186
 - multifrequency combinations 176
 - signal meanings 177
 - Voice board support 185
- r2_creatfsig()
 - use in R2/MF signaling 185
- r2_playbsig()
 - use in R2/MF signaling 185
- recall dial tone 162
- recording 87
 - with silence compression 93
 - with voice activity detector 95
- reorder tone 162
- resources, coupled/independent 36
- ringback detection 52, 67
- ringback tone 162
- ringback tone (call waiting) 162
- ringback tone (slow 162
- ringback tone (slow) 162

routing configuration (fixed/flexible)
 overview 35
 run-time linking 191

S

short message service (SMS) 121, 125
 short messaging service (SMS) 21
 signals
 cadenced, custom 157
 predefined standard PBX call progress 160
 silence compressed record (SCR) 20, 93
 silence compression
 voice activity detector 96
 SIT sequence
 returning 52
 SIT tones
 call progress analysis parameter setup 73
 detection
 using call progress analysis 73
 effect on GTD tones 76
 frequency information 77
 memory usage for detection 76
 tone sequences 73
 tone sequences, DM3 54
 using extended attribute functions 75
 slow busy 162
 small message service (SMS) 121
 special information tone (SIT) frequency detection, DM3 53
 Special Information Tone (SIT) sequence
 returning 52
 special information tones 73
 speed and volume control
 adjustment digits 118
 speed control
 adjustment functions 114
 convenience functions 113
 explicitly adjusting 118
 modification tables 114
 on DM3 boards 116
 setting adjustment conditions 118
 Springware
 tone definitions 71
 sr_getevtdatap() 151
 SRLGetAllPhysicalBoards() 141
 SRLGetPhysicalBoardName() 142
 srlib.h 190
 Standard Runtime Library
 definition 23
 device mapper functions 26
 event management functions 27

Standard Runtime Library (SRL) 189
 standard voice processing (SVP) mode, echo canceller 103,
 104
 states 31
 STC
 boards 188
 Syntellect Technology Corporation 187
 structures
 clearing 35
 stutter dial tone 162
 SVMT table 114
 SVP mode, echo canceller 104
 synchronous programming model 23
 Syntellect
 patent license 187

T

talk-off rejection 171
 TDM bus 22
 application considerations 40
 TDX_CACHEPROMPT event 142
 TDX_CST events 151
 TDX_VAD event 96
 termination conditions 32
 byte transfer count 32
 dx_stopch() occurred 32
 end of file reached 32
 loop current drop 32
 maximum delay between digits 33
 maximum digits received 33
 maximum function time 34
 maximum length of non-silence 33
 maximum length of silence 33
 pattern of silence and non-silence 33
 specific digit received 34
 user-defined digit received 34
 user-defined tone on/tone off event detected 34
 user-defined tones 152
 text messaging 121
 TIA/EIA Standard 166
 TID_BUSY1 51, 68
 TID_BUSY2 51, 68
 TID_DIAL_INTL 51
 TID_DIAL_LCL 51
 TID_DISCONNECT 51
 TID_FAX1 51
 TID_FAX2 51
 TID_RINGBK1 51
 TID_RINGBK2 52



- TID_SIT_ANY 52
- TID_SIT_IC 52
- TID_SIT_INEFFECTIVE_OTHER 52
- TID_SIT_IO 52
- TID_SIT_NC 52
- TID_SIT_NC_INTERLATA 52
- TID_SIT_NO_CIRCUIT 52
- TID_SIT_NO_CIRCUIT_INTERLATA 52
- TID_SIT_OPERATOR_INTERCEPT 52
- TID_SIT_REORDER_TONE 52
- TID_SIT_REORDER_TONE_INTERLATA 52
- TID_SIT_RO 52
- TID_SIT_RO_INTERLATA 52
- TID_SIT_VACANT_CIRCUIT 52
- TID_SIT_VC 52
- TN_GEN data structure 156
- TN_GENCAD data structure 157, 160
- tone definitions
 - DM3 56
 - modifying, DM3 57
 - modifying, Springware 71
 - Springware 71
- tone detection
 - call progress analysis, DM3 51
 - call progress analysis, Springware 66
 - global tone detection 147
- tone generation
 - cadenced 157
- tone template
 - DM3 56
 - Springware 71
- tone templates
 - building 149, 150
 - functions used 150
 - global tone detection 148
- tone types
 - call progress analysis 66
 - call progress analysis, DM3 51
- TONE_DATA data structure 58
- TONE_SEG data structure 58
- tones
 - cadenced, custom 157
 - maximum number for global tone detection 153
 - maximum number for global tonedetection 154
 - predefined standard PBX 160
- transaction record 92
- TrueSpeech voice coder 90
- trunks busy 162

- two-way ADSI 124
 - implementing 131, 132
 - technical overview 130
- two-way FSK 124

U

- user-defined I/O functions 35
- user-defined tones
 - building tone templates 148
 - definition 147
 - tp_data 152
 - tp_termno 152

V

- VAD
 - see voice activity detector 95
- variables
 - compiling and linking 191
- virtual board
 - definition 25
- voice activity detector (VAD) 95
- voice coders 89
- voice encoding methods 89
- voice library 189
- voice profile for internet messaging (VPIM) 91
- voice.prm 94
- volume control
 - adjustment digits 118
 - adjustment functions 114
 - convenience functions 113
 - explicitly adjusting 118
 - modification tables 114
 - on DM3 boards 117
 - setting adjustment conditions 118
- VPIM 91

W

- wink
 - inbound 42
 - setting delay 41
 - setting duration 41



Free Manuals Download Website

<http://myh66.com>

<http://usermanuals.us>

<http://www.somanuals.com>

<http://www.4manuals.cc>

<http://www.manual-lib.com>

<http://www.404manual.com>

<http://www.luxmanual.com>

<http://aubethermostatmanual.com>

Golf course search by state

<http://golfingnear.com>

Email search by domain

<http://emailbydomain.com>

Auto manuals search

<http://auto.somanuals.com>

TV manuals search

<http://tv.somanuals.com>