

Intel® Atom™ Processor and Intel® System Controller Hub US15W Development Kit

User's Manual

July 2008

Document #: 320264

Revision 1.0



INFORMATION IN THIS DOCUMENT IS PROVIDED IN CONNECTION WITH INTEL® PRODUCTS. NO LICENSE, EXPRESS OR IMPLIED, BY ESTOPPEL OR OTHERWISE, TO ANY INTELLECTUAL PROPERTY RIGHTS IS GRANTED BY THIS DOCUMENT. EXCEPT AS PROVIDED IN INTEL'S TERMS AND CONDITIONS OF SALE FOR SUCH PRODUCTS, INTEL ASSUMES NO LIABILITY WHATSOEVER, AND INTEL DISCLAIMS ANY EXPRESS OR IMPLIED WARRANTY, RELATING TO SALE AND/OR USE OF INTEL PRODUCTS INCLUDING LIABILITY OR WARRANTIES RELATING TO FITNESS FOR A PARTICULAR PURPOSE, MERCHANTABILITY, OR INFRINGEMENT OF ANY PATENT, COPYRIGHT OR OTHER INTELLECTUAL PROPERTY RIGHT.

UNLESS OTHERWISE AGREED IN WRITING BY INTEL, THE INTEL PRODUCTS ARE NOT DESIGNED NOR INTENDED FOR ANY APPLICATION IN WHICH THE FAILURE OF THE INTEL PRODUCT COULD CREATE A SITUATION WHERE PERSONAL INJURY OR DEATH MAY OCCUR.

Intel may make changes to specifications and product descriptions at any time, without notice. Designers must not rely on the absence or characteristics of any features or instructions marked "reserved" or "undefined." Intel reserves these for future definition and shall have no responsibility whatsoever for conflicts or incompatibilities arising from future changes to them. The information here is subject to change without notice. Do not finalize a design with this information.

The products described in this document may contain design defects or errors known as errata which may cause the product to deviate from published specifications. Current characterized errata are available on request.

Contact your local Intel sales office or your distributor to obtain the latest specifications and before placing your product order.

This document contains information on products in the design phase of development.

Intel and the Intel logo are trademarks of Intel Corporation in the U.S. and other countries.

*Other names and brands may be claimed as the property of others.

Copyright © 2008 Intel Corporation. All rights reserved.



Contents

1	Introduction	7
1.1	About the Development Kit	7
1.2	Terminology	8
1.3	Technical Support.....	9
1.3.1	Additional Technical Support	9
1.4	Product Literature	10
1.5	Related Documents	10
2	Crown Beach Board	11
2.1	Getting Started	12
2.2	Overview	13
2.3	Major Features.....	13
2.4	Processor Support	15
2.4.1	Processor Voltage Regulators	15
2.5	Subsystem Descriptions	16
2.5.1	Intel® SCH Chipset	16
2.5.2	System Memory	16
2.5.3	Display	16
2.5.4	PCI Express* Slots	17
2.5.5	Soft Audio/Soft Modem	17
2.5.6	PATA Storage	18
2.5.7	USB Connectors	18
2.5.8	LPC Slot.....	18
2.5.9	System Management Controller (SMC)/Keyboard Controller (KBC)..	18
2.5.10	EFI Firmware Hub (FWH).....	19
2.5.11	Trusted Platform Module (TPM) Header.....	19
2.5.12	SD/SDIO/MMC	19
2.5.13	Clocks	19
2.5.14	Real Time Clock	19
2.5.15	In-Target Probe (ITP) and Debug Support.....	20
2.5.16	Power Supply Solution	20
2.5.17	Board Size	20
2.5.18	Board Technology.....	20
3	Power Management.....	21
3.1	Power Measurement Support	21
4	Reference Board Summary	27
4.1	Crown Beach Board Features	27
4.2	Connectors.....	27
4.2.1	Back Panel Connectors	28
4.3	Configuration Settings.....	29
4.3.1	Configuration Jumpers/Switches.....	29
4.4	BSEL Jumper Settings.....	32



4.5	Manual VID Support for CPU	32
4.6	Power On and Reset Push Buttons	33
4.7	LEDs	34
4.8	PCI Express* X1 Slots and Mini Card Connectors.....	35
4.8.1	Mini Card A connector (J7H1) is enabled by default	35
4.8.2	Mini Card B connector (J2G1) is disabled by default.....	36
4.9	H8S (JTAG) Programming Headers.....	36
4.9.1	H8 In-System Programming.....	36
4.9.2	H8 Remote Programming	36
4.10	UART Connector	38
5	Quick Start	39
5.1	Required Peripherals.....	39
5.2	Graphics Assembly (LVDS Panel)	40
5.3	Power Up	43
5.4	EFI Firmware Updates	45
Appendix A	Daughter and Plug-In Cards	46
A.1	Mott Canyon 4 Interposer Card	46
A.1.1	Jumper Settings	47
A.1.2	Firmware Configuration.....	49
Appendix B	Intel® MVP-6 VID Codes.....	50
Appendix C	External Features.....	53
C.1	External Feature Locations	53
C.1.1	External Feature Location (Front of Chassis)	53
C.1.2	External Feature Location (Rear of Chassis)	54



Figures

Figure 1. Crown Beach Board Block Diagram	11
Figure 2. Crown Beach Board (Top View)	12
Figure 3. Crown Beach Board Feature Placement	27
Figure 4. Back Panel Connectors	28
Figure 5. Location of the Configuration Jumpers/Switches	29
Figure 6. Crown Beach Manual VID	33
Figure 7. Crown Beach Power On and Reset Buttons	33
Figure 8. Crown Beach LEDs	35
Figure 9. Samsung 15 inch (381.00 mm) Panel	40
Figure 10. Crown Beach Board	41
Figure 11. LVDS Cable Connected to the Crown Beach Board	42
Figure 12. Mott Canyon 4 Interposer Card	47
Figure 13. Front Chassis View	53
Figure 14. Rear Chassis View with Board Installed	54

Tables

Table 1. Intel Literature Centers	10
Table 2. Related Documents.	10
Table 3. Crown Beach Feature Set Summary	13
Table 4. Crown Beach Supported LVDS Displays	17
Table 5. Power Measurement Resistor	21
Table 6. Digital Multi-Meter Comparison	21
Table 7. Crown Beach Voltage Rails	22
Table 8. Back Panel Connectors	28
Table 9. Configuration Jumper/Switches Settings	30
Table 10. BSEL Jumper Settings	32
Table 11. Crown Beach LEDs	34
Table 12. PCI Express* Slot 1 Board Rework to Enable Functionality	35
Table 13. Mini Card B Board Rework to Enable Functionality	36
Table 14. H8 Programming Jumpers	38
Table 15. Mott Canyon 4 Interposer Card Configuration Jumper/Switches	48
Table 16 Voltage Identification Definition	50



Revision History

Document Number	Revision Number	Description
394649	1.0	Initial release.
320264	1.0	Release for public posting

§



1 Introduction

This manual describes the typical hardware set-up procedures, features, and use of the evaluation board and other components included in the Intel® Atom™ processor and Intel® System Controller Hub US15W Development Kit. This reference board supports the Intel® Atom™ processor and Intel® System Controller Hub (Intel® SCH).

Note: Read this document in its entirety prior to applying power to the motherboard.

Intel recommends having both the schematic and board present while reading this document.

The references in this document correlate to reference designators and board properties of Crown Beach FAB F Customer Reference Board.

This manual is intended to be used with the Development Kit but can also be used to help bring up a Crown Beach Board, although not all associated peripherals will be included with a board.

1.1 About the Development Kit

The development kit includes the following:

- Crown Beach Customer Reference Board with Intel® Atom™ processor Z530 1.6GHz and Intel® System Controller Hub US15W
- Pre-installed jumpers
- FWH mounted and flashed with EFI
- 1 GB DDR2 SO-DIMM
- VGA SDVO ADD2N Card
- 80 GB Hard Drive with MIDINUX Embedded OS
- DVD-ROM Drive
- IDE cable
- Mott Canyon 4 with Intel® High Definition Audio (Intel® HD Audio) card
- Intel® 82574L Gigabit Ethernet Controller
- CD with Chipset and Intel® Embedded Graphics Drivers (IEGD)
- Chassis with ATX power supply

Note: Please refer to [Section 5.4](#) for the location of latest appropriate EFI firmware and driver updates.



Note: Not all peripherals listed will be included with a Crown Beach board.

1.2 Terminology

Term	Definition
ACPI	Advanced Configuration Power Interface
ADD2	Advanced Digital display 2 card
ADD2R	Advanced Digital display 2 card with PCI-E graphics lane reversed (not supported on Crown Beach)
CRB	Customer Reference Board
BGA	Ball Grid Array
DDR	Double Data Rate
DMA	Direct Memory Access
Duck Bay 3	PCI Express* interposer card that provides ExpressCard* support for Crown Beach CRB
EFI	Extensible Firmware Interface
FAE	Field Application Engineer
FSB	Front Side Bus
FWH	Firmware Hub
GPIO	General Purpose Input Output
IDE	Integrated Device Electronics
IEGD	Intel® Embedded Graphics Driver
IMVP	Intel® Mobile Voltage Positioning
Intel® HD Audio	Intel® High Definition Audio
Mott Canyon 4	This Add-in Card enables Intel® HD Audio functionality
Intel® SCH	Intel® System Controller Hub
ITP	In-Target Probe
JEDEC	Joint Electron Device Engineering Council
KBC	Keyboard Controller
LAN	Local Area Network
LED	Light Emitting Diode
LPC	Low Pin Count
LVDS	Low Voltage Differential Signaling
MDC	Mobile Daughter Card



Term	Definition
OS	Operating System
PATA	Parallel AT Attachment
PC	Personal Computer
PCB	Printed Circuit Board
PCIe*	PCI Express*
PEG	PCI Express* Graphics
PLL	Phase Lock Loop
PGA	Pin Grid Array
RTC	Real Time Clock
SCH	System Controller Hub
SD	Secure Digital
SDVO	Serial Digital Video Output
SIO	Super Input Output
SMC	System Management Controller
SO-DIMM	Small Outline Dual In-line Memory Module
TPM	Trusted Platform Module
TSSOP	Thin Shrink Small Outline Package
USB	Universal Serial Bus
VGA	Video Graphics Array
VID	Voltage Identification
VR	Voltage Regulator
XDP	Extended Debug Port

1.3 Technical Support

Support Services for your hardware and software are provided through the secure Intel® Premier Support Web site at <https://premier.intel.com>. After you log on, you can obtain technical support, review “What’s New,” and download any items required to maintain the platform. Support is provided through the following product: Dev Kit (Embedded/Atom/US15W).

1.3.1 Additional Technical Support

If you require additional technical support, please contact your field sales representative or local distributor.



1.4 Product Literature

You can order product literature from the following Intel literature centers.

Table 1. Intel Literature Centers

U.S and Canada	1-800-548-4725
U.S. (from overseas)	708-296-9333
Europe (U.K.)	44(0)1793-431155
Germany	44(0)1793-421333
France	44(0)1793-421777
Japan (fax only)	81(0)120-47-88-32

1.5 Related Documents

[Table 2](#) is a partial list of the available collateral. For the complete list, contact your local Intel representative.

Table 2. Related Documents.

Document	Document Numbers/ Location
Processor and SCH-Related Documents	
<i>Intel® Centrino® Atom™ Processor Technology Platform Design Guide</i>	Contact your FAE for the latest revision
<i>Menlow Platform Crown Beach Customer Reference Board Schematic</i>	
<i>Menlow Platform – Ballout, Signal, and Mechanical Package</i>	
<i>Intel® Atom™ Processor Z5xx Series Datasheet</i>	
<i>Intel® System Controller Hub (Intel® SCH) Datasheet</i>	
<i>Intel® Atom™ Processor Z5xx Series Specification Update</i>	
<i>Intel® System Controller Hub (Intel® SCH) Specification Update</i>	
Firmware-Related Documents	
<i>Aptio 4.x Whitepaper</i>	www.ami.com/aptio/



2 Crown Beach Board

Figure 1. Crown Beach Board Block Diagram

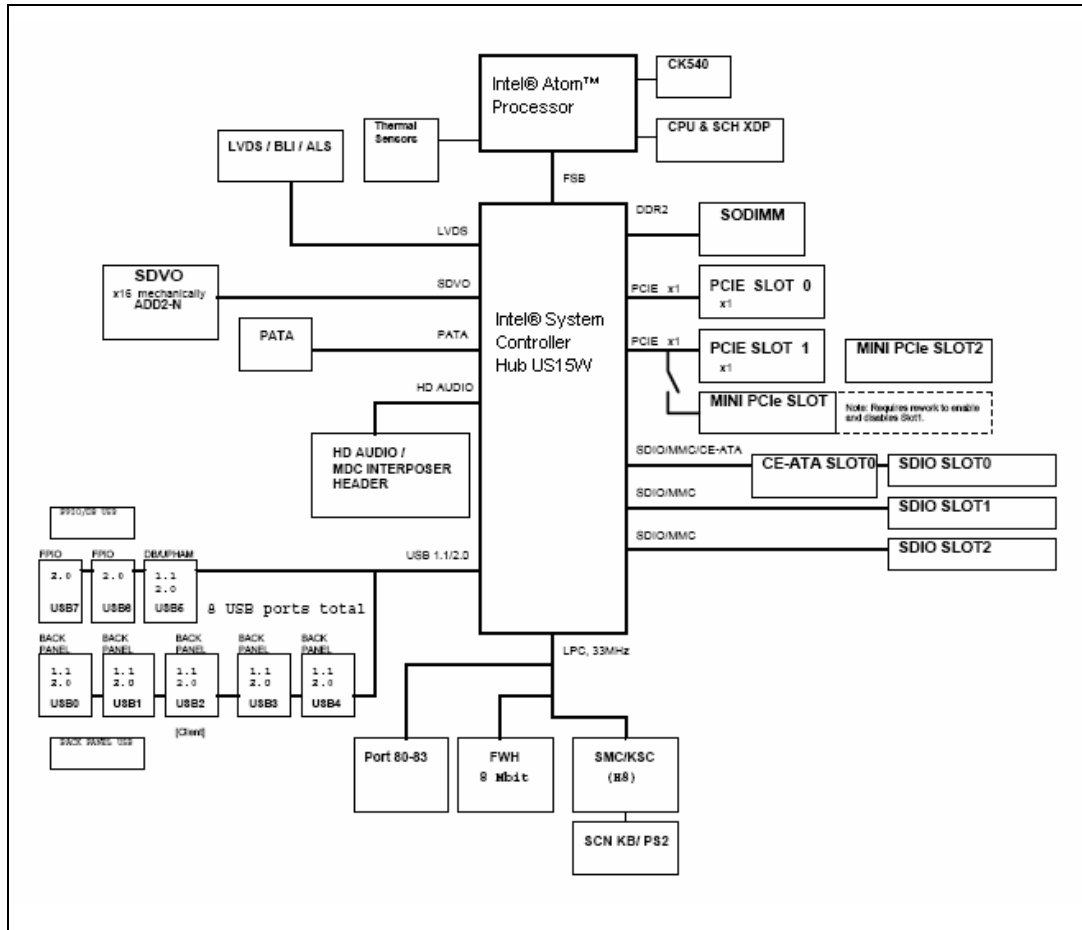
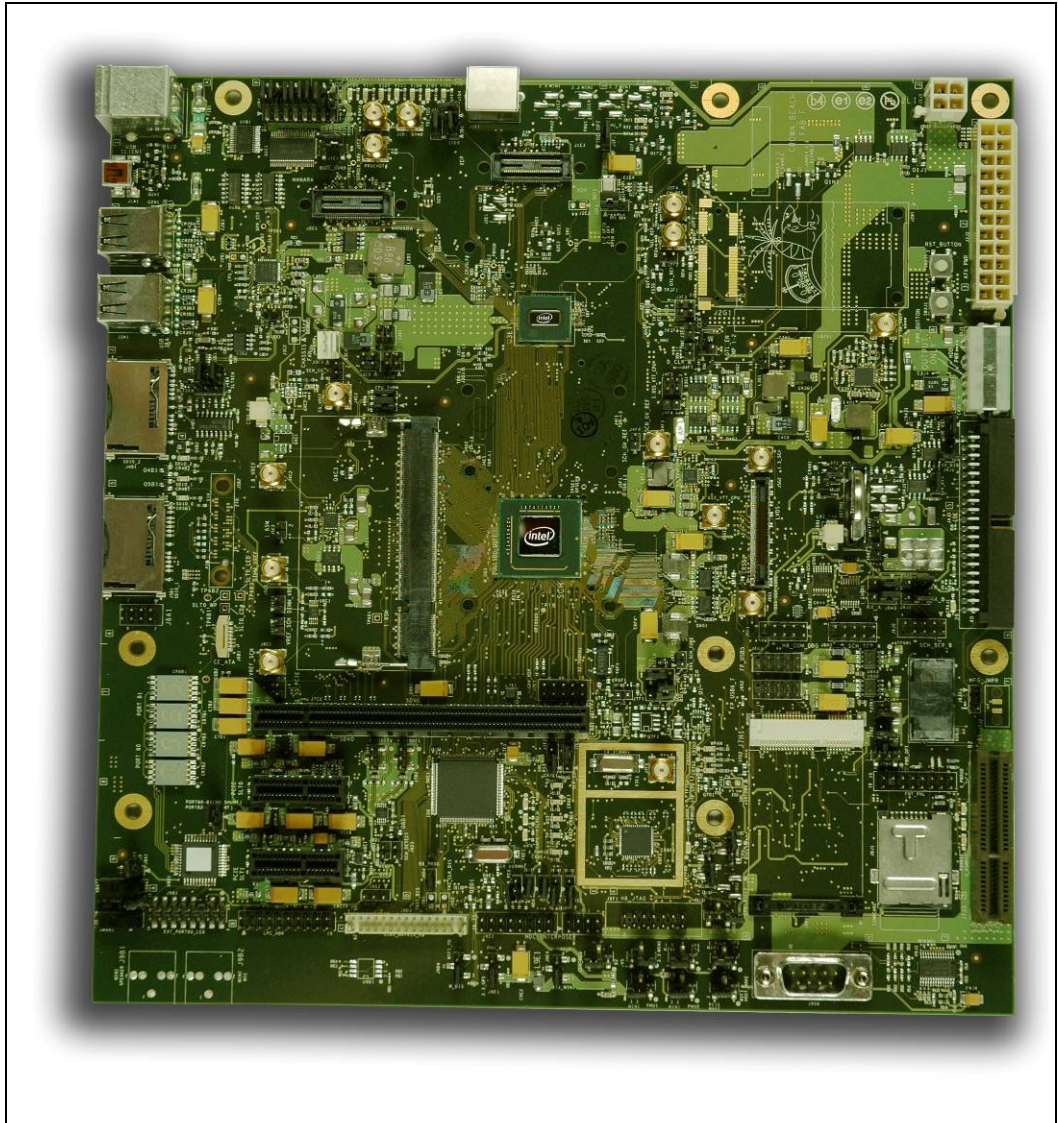


Figure 2. Crown Beach Board (Top View)



2.1 Getting Started

This section identifies the key components, features and specifications of the Intel® Atom™ processor with Intel® System Controller Hub US15W Development Kit. It also describes how to set up the board for operation. Development software is included in the kit.



Note: This manual assumes a familiarity with basic concepts involved with installing and configuring hardware for a PC.

2.2 Overview

The development kit contains a baseboard with an Intel® Atom™ processor Z530, Intel® System Controller Hub US15W, other system board components and peripheral connectors.

Note: The evaluation board is shipped in a closed chassis. The user is required to observe extra precautions if the user opens the chassis for any reason.

Note: Review the document provided with the Development Kit titled Important Safety and Regulatory Information. This document contains additional safety warnings and cautions.

2.3 Major Features

[Table 3](#) is a list of the major features for the customer reference board.

Table 3. Crown Beach Feature Set Summary

Feature	Crown Beach Board Implementation	Comments
Processor	Intel® Atom™ processor Z530 with 512KB L2 cache	0.55 x 0.52 inch (14 X 13 mm) FCBGA package with 0.0024 inch (0.6 mm) ball pitch and 441-pins.
CPU Voltage Regulator	Intel® Mobile Voltage Positioning 6 (Intel® MVP6)	1 Phase
Chipset	Intel® SCH US15W	0.87 x 0.87 inch (22 X 22-mm) FCBGA package with 0.0024 inch (0.6-mm) ball pitch and 1249-pins.
Board Technology	High Density Interconnect, Type IV; 1-6-1 stackup	S-G-S-G-Core-G-S-G-S stackup
Board Size	µATX 9.6 x 10.4 inch (243.84 x 264.16 mm)	Doubled-sided placement
Memory	Single top-side SO-DIMM connector for single-channel, single or dual rank	Supports up to 2-GB of system memory. 8 SDRAM devices max
Graphics	One x16 single-channel SDVO card slot. Supports ADD2N cards. One LVDS Connector	No integrated VGA support is available on the Crown Beach CRB. VGA supported through ADD2N Card.



Feature	Crown Beach Board Implementation	Comments
LVDS options	Single 24-bit LVDS interface; Back Light Inverter (BLI) and LED backlight support	Through a 50-pin cable-up connector (separate cables required for each display supported).
Main Clock	CK540	TSSOP, 64-pinspackage Integrated CK-SSCD and clock expansion buffer.
ATA/Storage	PATA66/100	One desktop PATA connector
USB	8 USB 2.0 ports	4 back panel connectors <ul style="list-style-type: none"> • Ports [1:0] and [4:3] 3 cable-up <ul style="list-style-type: none"> • Ports [5] and [7:6] One client-mode back panel connector (mini-B). <ul style="list-style-type: none"> • Port [2] NOTE: All ports are enabled by default except port 5. For more information, refer Section 2.5.7 USB Connectors. NOTE: Ports [7:6] are USB 2.0 only.
SDIO/MMC	2 ports (Ports 0 and 1), 4-bits 1 port (Port 2), 8-bits	2 SDIO back panel connectors <ul style="list-style-type: none"> • Slot [2:1] One SDIO backside connector <ul style="list-style-type: none"> • Slot [0] All slots are SDIO Revision 1.1 and MMC Revision 4.0 compliant NOTE: For more information, refer to Section 2.5.12 SD/SDIO/MMC.
Soft Audio/ Soft Modem	2 x8 option for cable-up to SDVO for HDMI+ One Intel® HD Audio MDC Header	Option for 3.3-V and 1.5-V operation through jumper. 2 x4 for Mott Canyon 4 support
PCI Express* x1 connector	2 connectors	x1 connector Revision 1.0a compliant NOTE: Slot 1 is non-functional by default.



Feature	Crown Beach Board Implementation	Comments
PCI Express* Mini Card connector	2 connectors. Mini Card connector A, functionality is enabled by default. NOTE: PCI Express* signals are left unconnected on Mini Card B.	NOTE: For more information, refer to Section 2.5.4, PCI Express* Slots.
LPC	One LPC slot	No DMA support
TPM	Through TPM header (TPM 1.2)	
Microcontroller	Renesas Technology* H8S/2117	Includes integrated SPI as an option
FWH	FWH LPC based with socket	40-pin TSSOP socket
SIO	Uses TPM header	Backup only; provides floppy, COM, Parallel, and PS2
SMC/KBC	Scan matrix headers and PS/2 in back panel keyboard connector	ACPI compliant through H8S/2117
RTC	Battery-backed real time clock	
Port 80 Decode	Supported down on motherboard with four seven-segment displays	Has an option for cable-up to front panel of chassis
Power Supply	Desktop Mode	ATX Power Supply
	Virtual Battery	SW8A1 switch
ITP Support	Extended Debug Port (XDP)	J1E3 XDP connector
Power Management Form Factor	ACPI Compliant	S0 – Power On S3 – Suspend to RAM S4 – Suspend to Disk S5 – Soft Off

2.4 Processor Support

The reference board supports the Intel® Atom™ processor Z530 with 512-KB cache in a 441-pin, FCBGA package. No heatsink is required by this processor during room temperature ambient operation.

2.4.1 Processor Voltage Regulators

The reference board uses an onboard Intel® MVP6 single-phase regulator for the processor core supply. The I/O voltage is 1.05 V. See [Section 4.5](#) for VID jumper location and [Appendix B](#) for the VID code table.



2.5 Subsystem Descriptions

Subsystem features refer to the socket and connector locations on the Crown Beach Board. Socket and connector locations are labeled with a letter-number combination. Refer to the silkscreen labeling on Crown Beach Board for location detail.

2.5.1 Intel® SCH Chipset

- Processor interface at 400/533 MHz
- Single channel DDR2 memory interface running at 400/533 MT/s
- Two PCI Express* ports, x1
- Eight USB 2.0 compatible ports
- One ATAPI-6 (UDMA 100MB/s) IDE channel
- Intel® HD Audio
- Three SDIO/MMC interfaces
- One channel 24-bit LVDS
- One channel SDVO
- LPC bus

2.5.2 System Memory

- Supports a single DDR2 SO-DIMM socket. SO-DIMMs must be un-buffered and compliant with Raw Cards A or C as defined by JEDEC.
- Supports 400- or 533-MHz memory bus frequencies.

Note: SO-DIMM support is only provided for validation purposes. The *Intel® Centrino® Atom™ Processor Technology Platform Design Guide* provides component implementations for memory down solutions. The *DDR2 SODIMM Architecture's Implementation for Intel® System Controller Hub (SCH) US15W* whitepaper provides guidelines for implementing a SO-DIMM solution, although the recommendations are based on simulation only and have not been validated. It is recommended that customers validate their designs.

2.5.3 Display

The reference board has two options for displaying video:

- LVDS – location is J5G2
- SDVO – location is J7C2

Note: The customer reference board supports single channel LVDS only.

[Table 4](#) is a listing of displays that have been tested with Crown Beach.



Table 4. Crown Beach Supported LVDS Displays

Manufacturer /Type	Size	Resolution	Back Light	Aspect Ratio	Part#
Samsung	4.8 inch (121.92 mm)	1024 x 600	11 LED	16 x 9	LTS480WS-C01
TMD	5.6 inch (142.24 mm)	1024 x 600	CCFL	16 x 9	LTD056ET0S
Sharp	7.2 inch (182.88 mm)	1280 x 768	32 LED	15 x 9	LQ072K1LA08
Samsung	15 inch (381.00 mm)	1024 x 768	CCFL	4 x 3	LTN150XG-L08
NEC	8.4 inch (213.36 mm)	640 x 480	2 CCFL	4 x 3	NL6448BC26-08D
NEC	9.0 inch (228.60 mm)	800 x 480	2 CCFL	15 x 9	N8048BC24-06
TMD	11.1 inch (281.94 mm)	1366 x 768	CCFL	16 x 9	LTD111EXCS
Samsung	15.4 inch (391.16 mm)	1280 x 800	CCFL	15 x 9	LTN154X5-L06

NOTE: The protective tape on top of the Crown Beach LVDS connector must be removed prior to installing an LVDS cable.

NOTE: VGA output is not directly supported. Customers can use PCI Express*-based discrete, external 3D graphics cards, or a third-party component available on an ADD2N card using the SDVO interface.

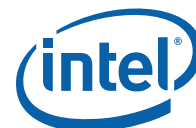
2.5.4 PCI Express* Slots

- Two PCI Express* slots x1 for add-in cards.
- The PCI Express* bus complies with the PCI Express* Rev. 1.0a specification.

Crown Beach provides two PCI Express* Mini Card form factor slots. The PCI Express* specification pin-out is followed by Mini Card Slot A only and not by Mini Card Slot B. Mini Card Slot A is enabled by default and to enable Mini Card Slot B, rework needs to be performed. The slots are not to be used with PCI Express* Mini Card-based devices. Mini Card A (J7H1) is designed for use with CM100/CM101 cards from Quanta. Mini Card A can be populated with the Kedron, Echo Peak, or Shirley Peak wireless cards. Mini Card B (J2G1) is designed for use with Wireless WAN cards from Sierra Wireless* and Option*.

2.5.5 Soft Audio/Soft Modem

High Definition Soft Audio/Soft Modem functionality is enabled through the Mott Canyon 4 daughter card. No direct connection is provided for Intel® HD Audio on



Crown Beach. The Mott Canyon 4 card is required to enable the High Definition Audio functionality. See [Appendix A](#) for more information on the Mott Canyon 4 card.

2.5.6 PATA Storage

The Crown Beach Board provides only one desktop, 40-pin, PATA66/100 connector that supports master and slave devices.

2.5.7 USB Connectors

The Intel® SCH provides eight USB 2.0 ports.

- Four ports are routed to the back panel's two stacked USB connectors. USB ports [1:0] and [4:3] are routed to the back of the chassis.
- Port 2 is the client-mode connector and is routed to the back of the chassis with a Mini-B connector.
- Ports [7:5] are routed to the front panel headers (USB FPIO, Duck Bay, and Sideband Header) and to the Sideband headers (Duck Bay, Upham USB).
- For wireless solutions port 0 is also used with stuffing options for the PCI Express* Mini Card. OC [7:0] # is available for over-current detection.
- Port 5 is disabled by default due to enabling of PCI Express* Mini Card A Slot.

Note: USB port 0 functionality is impacted if rework is performed to enable the PCI Express* Mini Card B Slot.

2.5.8 LPC Slot

The H8S/2117 serves as a keyboard controller on the customer reference board.

Note: Other solutions, such as a mouse controller, can be tested in the LPC slot while H8S is held in reset.

- LPC slot and sideband header are supported.
- Docking and DMA are not supported by the Intel® SCH on Crown Beach.
- Port 80-83 is implemented using the EPM7064AE device down on the motherboard with 4, seven-segment displays on the LPC bus.
- An option for connecting the cable to front panel or chassis is available.

2.5.9 System Management Controller (SMC)/Keyboard Controller (KBC)

Renesas Technology* H8S serves as both SMC and KBC for the platform. The SMC/KBC controller supports:



- Two PS/2 ports.

Note: The two PS/2 ports are for a legacy keyboard and mouse. The keyboard plugs into the bottom port and the mouse plugs into the top port.

- EMA support
- Wake/runtime SCI events
- Power sequencing control

2.5.10 EFI Firmware Hub (FWH)

A TSOP socket houses the flash device (ST Microelectronics P/N# M50FW080) that stores the system EFI firmware. The EFI firmware can be programmed through a Microsoft MS-DOS* or Windows*-based utility.

2.5.11 Trusted Platform Module (TPM) Header

Crown Beach implements a header at J9B4 to support TPM 1.2 specification compliant devices. The same header can be used for legacy connections, allowing other SIO solutions to provide floppy, COM, Parallel, and PS/2 functionality.

2.5.12 SD/SDIO/MMC

Crown Beach provides three ports with the following features:

- All ports are SD rev1.1 specification compliant and MMC rev4.0 specification compliant.
- All ports operate to 48 MHz. Ports 0 and 1 support 4-bit operation. Port 2 supports 8-bit operation.
- Slot 2 is also routed (with stuffing options) to the PCI Express* Mini Card for wireless solutions.

2.5.13 Clocks

The Crown Beach CRB uses a CK-540 clock solution. The BSEL [2:1] signals driven by the processor are used by the CK-540 to configure the FSB frequency.

2.5.14 Real Time Clock

An on-board battery maintains power to the real time clock (RTC) when in a mechanical off state (G3 state).



2.5.15 In-Target Probe (ITP) and Debug Support

Crown Beach provides on-board ITP support with an XDP connector. Users can debug from the reset vector without EFI or OS dependency (up to OS functionality). Ports 80-83 are provided as a troubleshooting tool to monitor POST output during EFI execution.

Note: ITP requires that the CMC load to configure Poulsbo before register accesses can be made. The CMC code resides in the FWH on Crown Beach. Thus, it is required that the FWH flash be programmed and inserted in the FWH socket to use ITP.

Note: Crown Beach does not support ITP 700.

2.5.16 Power Supply Solution

Crown Beach can be powered from an ATX power supply (desktop solution) that contains all of the voltage regulators necessary to power the system up. Additionally, virtual battery support is provided through switch SW8A1.

Note: Use an "ATX12V" 1.1 specification compliant power supply regardless of supplier or wattage level (an "ATX12V" rating means V5 min current = 0.1 A, "ATX" V5 min current = 1.0 A, among other differences). For example, the Sparkle Model No. FSP300-60BTV meets this requirement and is an ATX12V 1.1 spec compliant power supply. Depending on the power supply used, Crown Beach may require a load. Crown Beach provides FETS to assist with this loading through jumpers J4J1 and J5J2, see [Table 9](#) for jumper settings.

Note: If the power switch on the ATX power supply is used to shut down the system, wait at least 5 seconds before turning the system on again.

Note: The recommended way to shut down the board is to press and hold the power button switch (SW3J1) for 5 seconds until the power supply turns off. Using the power supply switch or pulling the plug out of the wall is not recommended.

2.5.17 Board Size

The reference board form factor is similar to the μ ATX 9.6 x 10.4 inch (243.84 x 264.16 mm) specification. The back panel jacks may not conform to ATX specifications.

2.5.18 Board Technology

The Crown Beach reference board uses fine pitched BGA packages, down to 0.0024 inch (0.6 mm) pitch. Type IV high density-interconnect technology is required for breakout purposes and implemented using a 1-6-1 stack-up (8 layers total).



3 Power Management

3.1 Power Measurement Support

Power measurement resistors are provided to measure the power on many of the subsystems.

Table 5. Power Measurement Resistor

Feature	Value
Tolerance	1%
Value	10 mΩ

NOTE: Intel recommends that larger (~10 mΩ) resistors be stuffed for greater accuracy.

Power on a particular subsystem is calculated using the following formula:

Equation 1.

$$P = \frac{V^2}{R}$$

R = value of the sense resistor (typically 0.01 Ω)

V = the voltage difference measured across the sense resistor.

Use a high precision digital multi-meter tool such as the Agilent 34401A digital multi-meter. Refer to [Table 6](#) for a comparison of a high-precision, digital multi-meter (Agilent 34401A) versus a precision, digital multi-meter (Fluke 79).

Table 6. Digital Multi-Meter Comparison

Example System	
Sense Resistor Value	0.01 Ω
Voltage Difference Across Resistor	1.492 mV (149.2 mA)
Calculated Power	0.223 mW



	Agilent 34401A (6½ digit display)	Fluke 79 (3 digit display)
Specification	(±0.0030 % of reading) + (±0.0030 % of range)	±0.09% ±2 digits
Min Voltage displayed	1.49193 mV	1.47 mV
Calculated power	0.22258 mW	0.216 mW
Max voltage displayed	1.49206 mV	1.51 mV
Calculated power	0.22624 mW	0.228 mW
Error in power	±0.009 %	±0.3 %

NOTE: The precision achieved by using a high precision digital multi-meter versus a normal digital multi-meter is ~33 times more accurate.

[Table 7](#) summarizes all the power measurement sense resistors located on the Crown Beach board. All sense resistors are 0.01 Ω unless otherwise noted.

Table 7. Crown Beach Voltage Rails

Sch Page	Component	Voltage	Supply	Rail	Ref Des	Resistor	Supply Power Topology
11	SCH	1.8 V	+V1.8	+V1.8_SM_SCH	R5T3	0.01, 1%	DDR2_VR
11	SCH	1.05 V	+V1.05S_SCH	+V1.05S_SCH_VCORE	R6T7	0.01, 1%	VCORE
11	SCH	1.5 V	+V1.5S_SCH	+V1.5S_DLVDS_SCH	R6T9	0.01, 1%	LVDS
11	SCH	3.3 V	+V3.3	+V3.3_SCH_SUS	R6T13	0.01, 1%	SUS
11	SCH	3.3 V	+V3.3S	+V3.3S_SCH	R5T5	0.01, 1%	3.3 V
11	SCH	1.05 V	+V1.05S_VTT	+V1.05S_VTT_SCH	R5U35	0.01, 1%	VTT SCH
11	SCH	1.5 V	+V1.5S	+V1.5S_SCH	R5T6	0.01, 1%	1.5CORE
11	SCH	1.5 V	+V1.5S_SCH	+V1.5S_SDVO_SCH	R6T10	0.01, 1%	SDVO
11	SCH	1.05 V	+V1.05S_VTT	+V1.05S_VTT_CPU	R3U1	0.01, 1%	VTT CPU



Sch Page	Component	Voltage	Supply	Rail	Ref Des	Resistor	Supply Power Topology
11	SCH	1.5 V	+V1.5S_SCH	+V1.5S_PCIe_SCH	R6T6	0.01, 1%	PCIe*
11	SCH	1.8 V	+V1.8	+V1.8_SM_SCH	R5T3	0.01, 1%	DDR2_VR
12	SCH	1.5 V	+V1.5S_SCH	+V1.5S_DPLLA_SCH, +V1.5S_DPLL_B_SCH, +V1.5S_PCIePLL_SCH, +V1.5S_HPLL_SCH, +V1.5S_AUSBPLL_SCH	R6T1	0.01, 1%	PLLs
14	mini PCIe	1.5 V	+V1.5S	V1.5S_MINIPICIE	R7W9	0.01, 1%	1.5-V mini PCIe
14	mini PCIe	3.3 V	+V3.3	V3.3_MINIPICIE	R9F1	0.01, 1%	3.3-V aux mini PCIe
15	SDVO	3.3 V	+V3.3S	V3.3S_SDVO	R7C1	0.01, 1%	3.3-V SDVO
16	SDVO	12 V	+V12S	V12S_SDVO	R7B3	0.01, 1%	12-V SDVO
17	LVDS	3.3 V	+V3.3S	V3.3S_LVDS_DDC	R5V21	0.01, 1%	3.3-V LVDS_DDC
17	LVDS	5 V	+V5S	V3.3S_LVDSBKLT	R5V14	0.01, 1%	5-V LVDS_BCKLT
17	LVDS	12 V	+V12S	V12S_LVDSBKLT	R5V17	0.01, 1%	12-V LVDS_BCKLT
17	LVDS	3.3 V	+V3.3S	V3.3S_LVDS_VDL	R5V28	0.01, 1%	3.3-V LVDS_VDL
18	SO_DIMM	1.8 V	+V1.8	+V1.8_DIMM	R6R2	0.01, 1%	SO-DIMM_DDR2
20	FHW	3.3 V	+V3.3S	+V3.3S_FWH	R7H5	0.01, 1%	3.3-V_FWH
21	TPM	5 V	+V5	V5_TPM	R8N4	0.01, 1%	5-V TPM HEADER
21	TPM	3.3 V	+V3.3	V3.3A_TPM	R8P2	0.01, 1%	3.3-V TPM HEADER
21	MDC, Audio	3.3 V	+VCCHDA	VCCHDA_R	R8U3	0.01, 1%	3.3V MDC HEADER
21	MDC, Audio	1.5 V/ 3.3 V	+V1.5S/+V3.3S	VCC_MDC	R9E1	0.01, 1%	1.5-V/3.3-V MDC HEADER



Sch Page	Component	Voltage	Supply	Rail	Ref Des	Resistor	Supply Power Topology
21	TPM	3.3 V	+V3.3S	V3.3S_TPM	R8P1	0.01, 1%	3.3-V TPM HEADER
22	PCIe, slot0	12 V	+V12_SLOTS	V12S_PCIE_SLOT0	R8B1	0.01, 1%	12-V PCIe slot 0
22	PCIe, slot0	3.3 V	+V3.3_SLOTS	V3.3S_PCIE_SLOT0	R8C2	0.01, 1%	3.3-V PCIe slot 0
22	PCIe, slot1	12 V	+V12_SLOTS	V12S_PCIE_SLOT1	R8B3	0.01, 1%	12-V PCIe slot 1
22	PCIe, slot1	3.3 V	+V3.3_SLOTS	V3.3S_PCIE_SLOT1	R8C5	0.01, 1%	3.3-V PCIe slot 1
22	PCIe, slot0	3.3 V	+V3.3	V3.3_PCIE_SLOT0	R8C6	0.01, 1%	3.3-V AUX PCIe slot 0
22	PCIe, slot1	3.3 V	+V3.3	V3.3_PCIE_SLOT 1	R8C7	0.01, 1%	3.3-V AUX PCIe slot 1
23	USB	5 V	+V5	+V5_USB_P6_P7	R6H2	0.01, 1%	5-V USB Port 6 and 7
23	USB	5 V	+V5	+V5_USB_P5	R6H3	0.01, 1%	5-V USB Port 5
24	CK540	3.3 V	+V3.3S	V3.3S_CK505	R8U1	0.01, 1%	3.3-V CK505
25	SDIO1	3.3 V	V3.3S_SDIO_SLOT1	V3.3S_SDIO1	R5M1	0.01, 1%	3.3-V SDIO 1
25	SDIO0	3.3 V	V3.3S_SDIO_SLOT0	V3.3S_SDIO0	R6N1	0.01, 1%	3.3-V SDIO 0
25	SDIO2	3.3 V	V3.3S_SDIO_SLOT2	V3.3S_SDIO2	R4B1	0.01, 1%	3.3-V SDIO 2
27	H8/ Keyboard	3.3 V	+V3.3A	+V3.3A_KBC	R7E2	0.01, 1%	3.3-V KEYBOARD
31	HD Conn	5 V	+V5S	+V5S_PATA	R3J1	0.01, 1%	5-V HD Connector
32	USB	5 V	+V5	+V5_USB_P0_P1	R2N1	0.01, 1%	5-V USB Port 0 and 1 (Back Panel)
32	USB	5 V	+V5	+V5_USB_P3_P4	R3N1	0.01, 1%	5-V USB Port 3 and 4 (Back Panel)



Sch Page	Component	Voltage	Supply	Rail	Ref Des	Resistor	Supply Power Topology
33	1.05-V Dual VR (2)	12 V	+V12S	V1.05B_INPUT	R5G1	0.01, 1%	1.05-V Dual VR (1) --> +V1.05S_VTT, +V1.05S_VTT_C PU
33	1.05-V Dual VR (1)	12 V	+V12S	V1.05A_INPUT	R5V9	0.01, 1%	1.05-V Dual VR (2) --> +V1.05S_SCH, +V1.05S_SCH_VCORE
36	1.8-V VR (1)	12 V	+V12	V12_1.8_INPUT	R5C16	0.01, 1%	1.8-V VR (1) --> +V1.8
36	0.9-V VR (2)	12 V	+V0.9S	V0.9S_DDR2	R5R2	0.01, 1%	1.8-V VR (2) --> +V0.9
38	1.5-V VR	3.3 V	+V3.3S	V3.3S_1.5_INPUT	R5F18	0.01, 1%	1.5-V VR --> +V1.5S
39	3.3-V VR	3.3 V	+V3.3A	51120VBST2_LR	R4G14	0.002, 1%	3.3-V VR
39	3.3-V VR	3.3 V	+V12A	V12A_3.3A_INPUT	R3W1	0.01, 1%	3.3-V VR
39	5-V VR	5 V	+V12A	V12A_5A_INPUT	R4W4	0.01, 1%	5-V VR
39	5V VR	5 V	+V5A	51120_+V5A_MBL_QL	R4H3	0.002, 1%	5-V VR
41	Intel® MVP-6	5 V	+V5S	V5S_IMVP_IN	R3C9	0.01, 1%	Intel MVP-6
42	Intel® MVP-6	12 V	+V12S_CPU	V12_CPU_PHASE	R2R8	0.002, 5%	Intel MVP-6
44	ATX Conn	12 V	+V12A	+V12_ATX	R1J3	0.002, 5%	12-V ATX conn
45	S4	5 V	+V5	+V5A	R4G9	0.01, 1%	5 V, S4
45	S4	3.3 V	+V3.3	+V3.3A	R4G12	0.01, 1%	3.3 V, S4
45	S3	5 V	+V5S	+V5A	R4F4	0.002, 1%	5 V, S3
45	S3	3.3 V	+V3.3S	+V3.3A	R4G10	0.01, 1%	3.3 V, S3



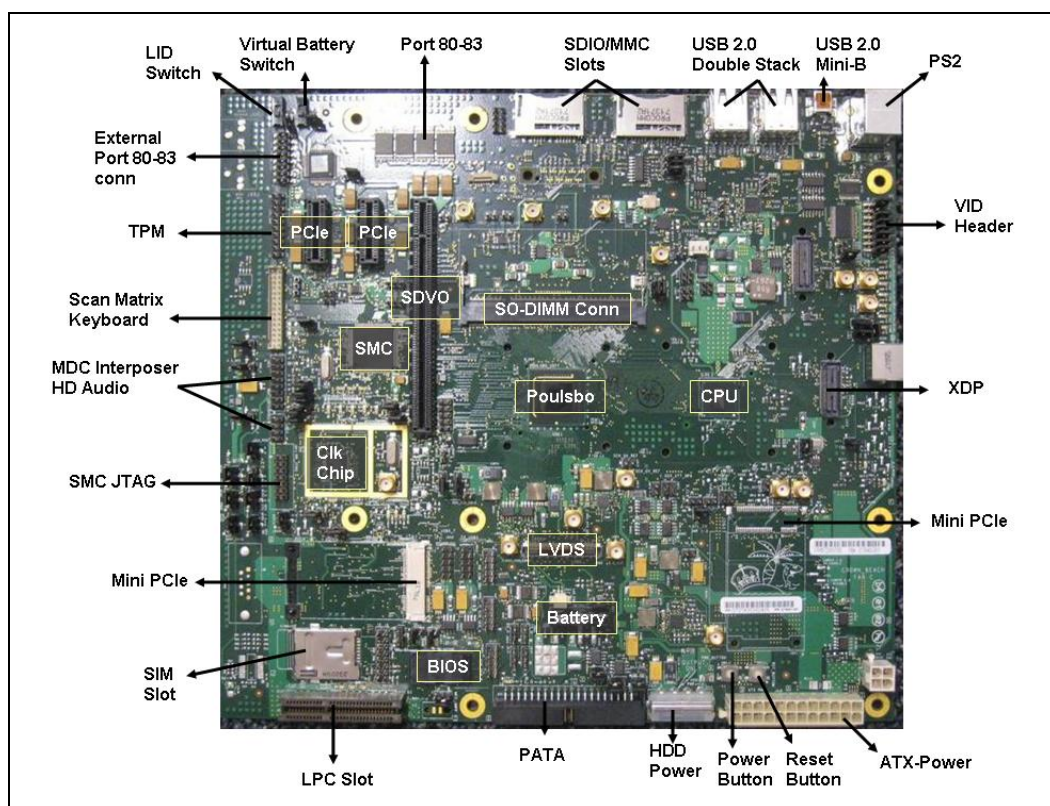
Sch Page	Component	Voltage	Supply	Rail	Ref Des	Resistor	Supply Power Topology
45	S3	12 V	+V12S	+V12S_CPU	R1H2	0.01, 1%	12 V, S3

§

4 Reference Board Summary

4.1 Crown Beach Board Features

Figure 3. Crown Beach Board Feature Placement



Note: The actual labeling on the board is Port 80 and 81.

4.2 Connectors

Many of the connectors supply operating voltages of (+5V DC and +12V DC) to devices inside the computer chassis, such as fans and internal peripherals.

Caution: Most of these connectors are not over-current protected. Do not use these connectors for powering devices external to the computer chassis. A fault in the load presented

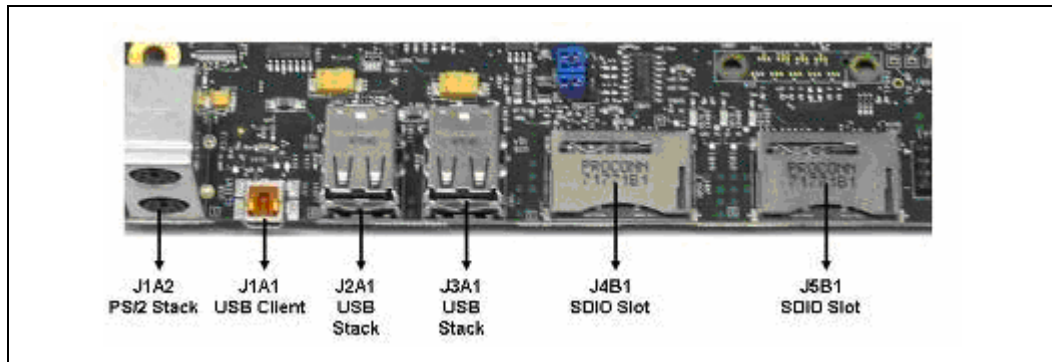


by the external devices could damage the computer, the interconnecting cable, or the attached external device.

4.2.1 Back Panel Connectors

This section describes the board’s connectors. [Figure 4](#) shows the location of the back panel connectors on the board.

Figure 4. Back Panel Connectors



Note: Connector J1A1 USB Client is a USB 2.0 Mini-B connector.

Table 8. Back Panel Connectors

Ref Des Back Panel Connector	Description
J1A2	PS/2 connector Top: Mouse Bottom: Keyboard
J1A1	USB Client connector, Port 2
J2A1	USB Host ports with over-current detection Top: Port 0 Bottom : Port 1
J3A1	USB Host ports with over-current detection Top: Port 4 Bottom : Port 3
J4B1	8-bit SD/SDIO/MMC Slot 2
J5B1	4-bit SD/SDIO/MMC Slot 1



4.3 Configuration Settings

4.3.1 Configuration Jumpers/Switches

Caution: Do not move jumpers with the power on. Switches may be moved while power is on. Always turn off the power and unplug the power cord from the computer before changing jumper settings. Otherwise, damage to the board could occur.

Figure 5 shows the location of the major configuration jumpers and switches. Table 9 summarizes the jumpers and switches and gives their default and optional settings. The Crown Beach board is shipped with the jumpers and switches shunted in the default locations.

Figure 5. Location of the Configuration Jumpers/Switches

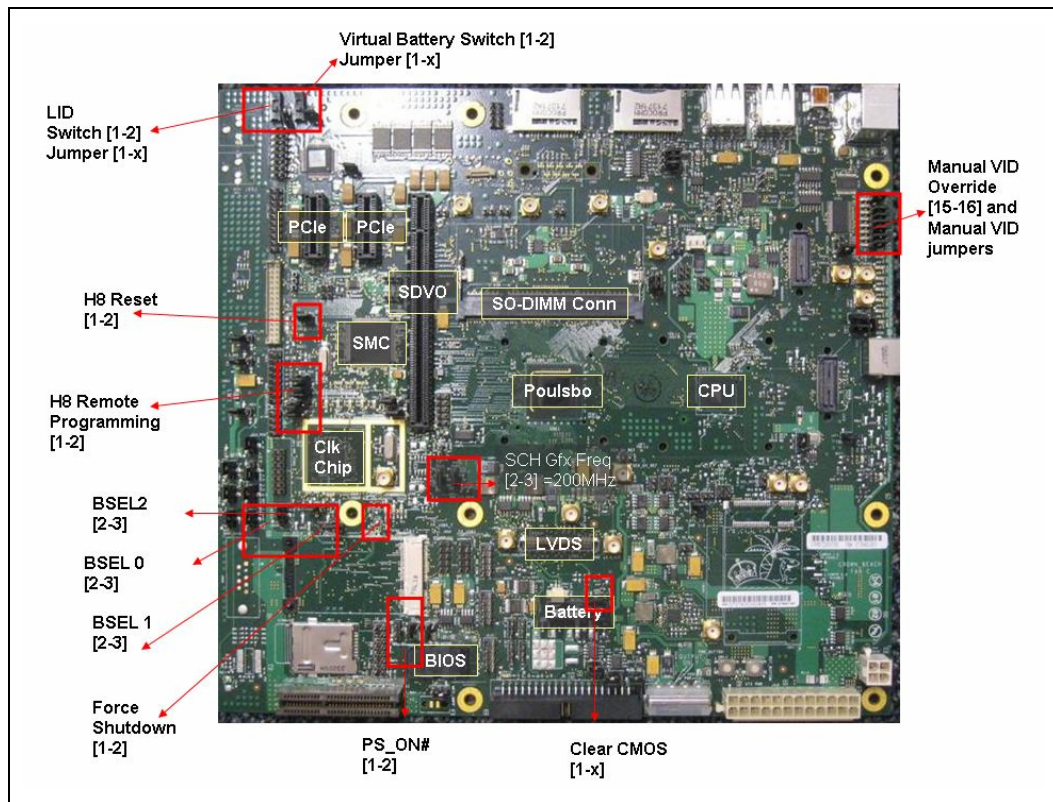




Table 9. Configuration Jumper/Switches Settings

#	Description	Default Setting ¹	Optional Setting	Reference Designator
1a	Remote H8 Programming	Open	1-2 (Short) – to program H8 ³	J8E1 J8E4
1b	Remote H8 Programming (BB_PROG)	1-2 – normal operation	1-x – link the Host Unit to On Board H8	J8D4
2	Virtual Battery Switch	1-2 (UP) – normal operation Virtual Battery switch is pulled high (disabled). The system acts as if it is running on AC power	2-3 (DOWN) – Virtual Battery switch is pulled low. This enables the virtual battery and the system acts as if it is running from a battery source	SW8A1 ²
3	Virtual Battery Jumper	1-x (OUT) – normal operation Virtual battery status is controlled by SW9A2	1-2 (IN) – Override switch SW9A2 condition. System will always act as if it is running from a battery source	J8A1
4	Lid Jumper	1-x (OUT) – normal operation No effect on circuit.	1-2 (IN) - Override switch condition, pulled low	J9A1
5	Lid Switch	1-2 (UP) – normal operation LID switch is pulled high	2-3 (DOWN) – LID switch is pulled low	SW9A1 ²
6	Clear RTC	1-x (OUT) – normal operation	1-2 (IN) to clear CMOS	J4H1
7	Force Shutdown	No Stuff	Reserved	J7G1
8a	BSEL0 Setting	No Stuff	Reserved	J8G2
8b	BSEL1 Setting	1-2 – Processor BSEL Select	OUT – 400 MHz OUT – 533 MHz	J8G3
8c	BSEL2 Setting	1-2 – Processor BSEL Select	2-3 – 400 MHz OUT – 533 MHz	J9G3
9a	Manual VIDs: VID 6 (1-2) VID 5 (3-4) VID 4 (5-6) VID 3 (7-8) VID 2 (9-10) VID 1 (11-12) VID 0 (13-14)	IN – normal operation (1-2) (3-4) (5-6) (7-8) (9-10) (11-12) (13-14)	OUT – Refer to Section 4.5 and Appendix B	J1B1



#	Description	Default Setting ¹	Optional Setting	Reference Designator
9b	VID CPU Override ⁴ (15-16)	OUT – normal operation	15-16 (IN) – Override to allow manual VID operation	J1B1
10a	CFG0 Setting	Refer to Section 4.4		J6F1
10b	CFG1 Setting	Refer to Section 4.4		J7F2
11	Reserved	OUT – normal operation	Reserved	J7F1
12	PS_ON#	1-2 – normal operation	2-3 - Reserved	J7H4
13	5V FET Load Disable	1-X (OUT) load	1-2 (IN) no load	J4J1
14	12V FET Load Disable	1-2 (IN) no load	1-X (OUT) load	J5J2

NOTES:

1. A jumper consists of two or more pins mounted on the motherboard. When a jumper cap is placed over two pins, it is designated as IN. When there are more than two pins on the jumper, the pins to be shorted are indicated as 1-2 (to short pin 1 to pin 2), 2-3 (to short pin 2 to pin 3), etc. When no jumper cap is to be placed on the jumper, it is designated as OUT.
2. When a switch is designated as 1-2, the switch slide is positioned such that pins 1 and 2 are shorted together.
3. H8 Jumper programming procedure is shown in [Section 4.9](#).

Note: VID Override Jumper settings are shown in [Appendix B](#).



4.4 BSEL Jumper Settings

The jumper settings in [Table 10](#) are provided to accommodate frequency selection for the processor. The CK-540 clock chip accepts two signals from the Intel® Atom™ processor.

Table 10. BSEL Jumper Settings

		Processor		Intel® SCH
		CPU	Override	Graphics
FSB Speed (MHz)	Processor driven	J8G3 → 1-2 J9G3 → 1-2	No override	See note.
	400 (Host CLK = 100 MHz)	J8G3 → Open J9G3 → 2-3	CPU BSEL 1=0 CPU BSEL 2=1	J6F1 → 2-3 J7F2 → 2-3
	Default 533 (Host CLK = 133 MHz)	J8G3 → Open J9G3 → Open	CPU BSEL 1=0 CPU BSEL 2=0	J6F1 → 1-2 J7F2 → 2-3

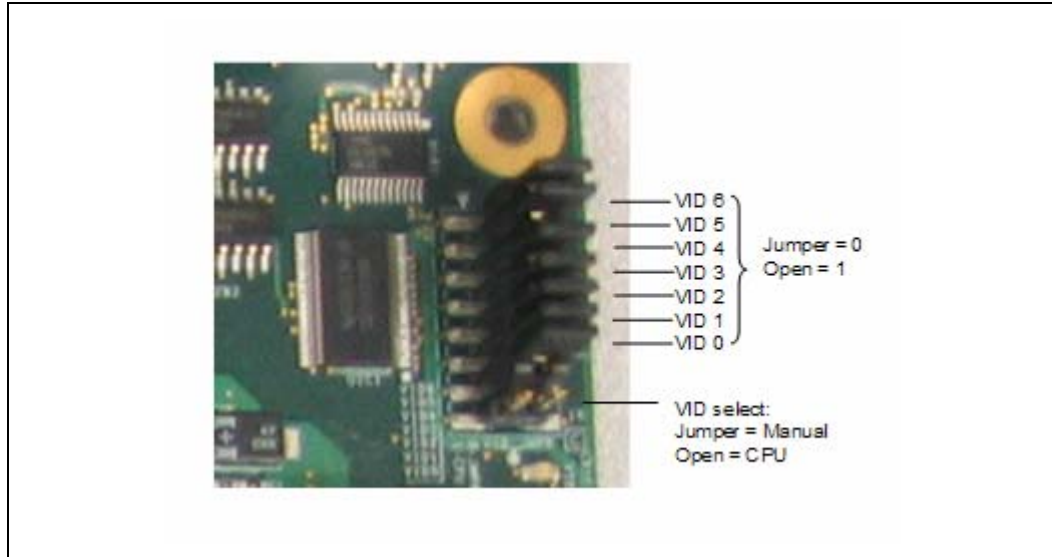
NOTE: Jumpers J7F2 and J6F1 must be set according to the FSB frequency to ensure 200-MHz operation.

4.5 Manual VID Support for CPU

The Crown Beach supports manual VID operation for the processor VR. A header (J1B1) is provided to incorporate "VID override". VID override allows for overriding the CPU VID outputs to the CPU VCC_CORE VR. The intent of the "VID override" circuit is to enable debugging and testing. See [Appendix B](#) for the VID code table.

Note: When manually overriding the VID outputs, an open jumper position will result in logic '1' on the corresponding VID signal. Closing the jumper position will result in logic '0' on the corresponding VID signal.

Figure 6. Crown Beach Manual VID

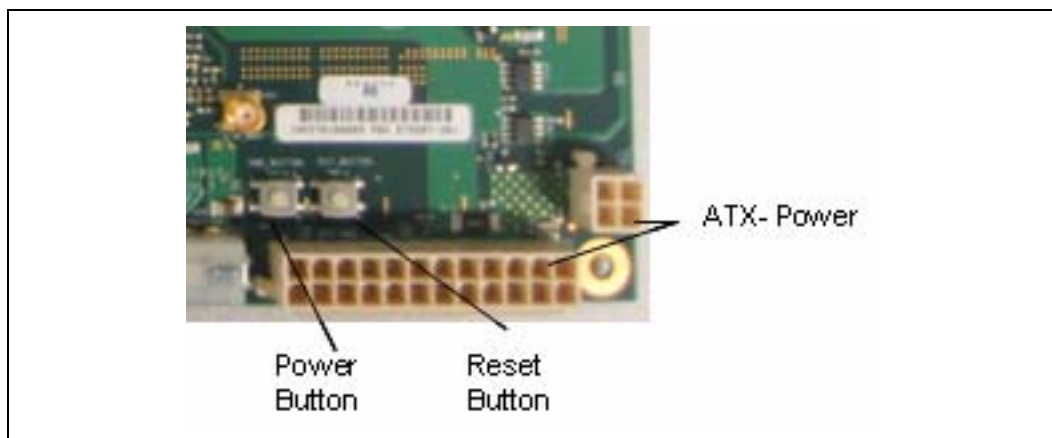


4.6 Power On and Reset Push Buttons

The Crown Beach board has two pushbuttons, POWER and RESET. The POWER button releases power to the entire board causing the board to boot. The RESET button forces all systems to warm reset.

The two buttons are located near the ATX-Power connector. The POWER button is located at SW3J1 and the RESET button is located at SW2J1. See [Figure 7](#).

Figure 7. Crown Beach Power On and Reset Buttons





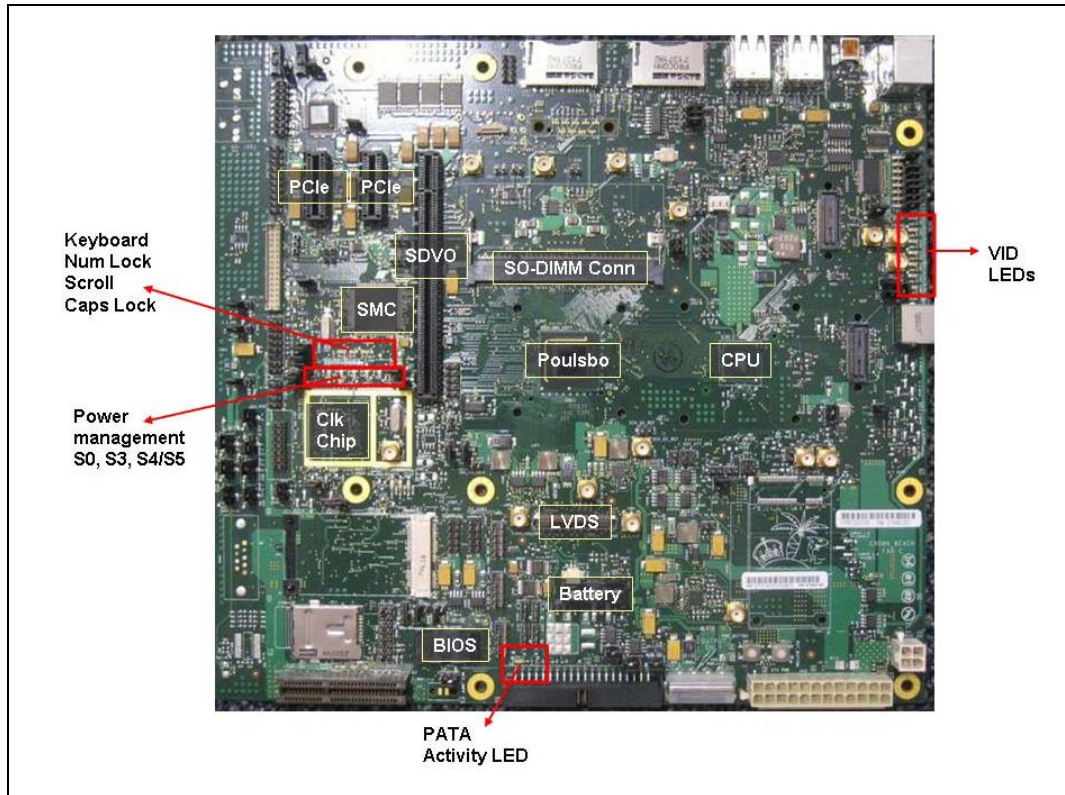
4.7 LEDs

[Figure 8](#) reveals the location of the LEDs and [Table 11](#) describes the function of the LEDs and their reference designators

Table 11. Crown Beach LEDs

#	Function	Reference Designator
1	Keyboard number lock	CR8E2
2	Keyboard scroll lock	CR8E3
3	Keyboard caps lock	CR8E1
4	System State S0	CR8E7
5	System State S3 Cold	CR7E1
6	System State S4/S5	CR8E5
7	PATA Activity	CR6J1
8	VID Setting 0	CR1C1
9	VID Setting 1	CR1C2
10	VID Setting 2	CR1D1
11	VID Setting 3	CR1D2
12	VID Setting 4	CR1D3
13	VID Setting 5	CR1D4
14	VID Setting 6	CR1D5

Figure 8. Crown Beach LEDs



4.8 PCI Express* X1 Slots and Mini Card Connectors

4.8.1 Mini Card A connector (J7H1) is enabled by default

To enable PCI Express* Slot 1 (J8C1) Mini Card A (J7H1) must be redirected to Slot 1.

Table 12. PCI Express* Slot 1 Board Rework to Enable Functionality

Rework	Impacted components	Comments
Enable Slot 1	Remove - R6D1, R6D3, R6E2, R6E3, R8F19, R8F21 Populate 0 Ohms - R6D2, R6D4, R6E1, R6E4 Populate 33 Ohms - R8F22, R8F20	Rework provides proper connectivity for PCI Express* Slot 1. Refer to the Mini Card A sheet of the Crown Beach Schematics and layout for details.



4.8.2 Mini Card B connector (J2G1) is disabled by default

To enable the port for Mini Card B (J2G1), PCI Express* Slot 0 (J7C1) and USB Port 0 (J2A1) devices must be redirected to the Mini Card B connector.

Table 13. Mini Card B Board Rework to Enable Functionality

Rework	Impacted components	Comments
Enable Mini Card B	Remove – R2B2, R2B4 Populate – R2B3, R2B5, R8Y7, R8W19, R8Y2, R8Y1, R8W22	Rework provides proper USB and SIM card connectivity for wireless WAN cards from Sierra Wireless* and Option* only. However, there are a significant number of additional no-stuff components that must be populated for full functionality. Refer to the Mini Card B sheet of the Crown Beach Schematics for details. USB Port 0 functionality through connector J2A1 is disabled when Mini Card B is enabled.

4.9 H8S (JTAG) Programming Headers

The microcontroller firmware for system management/keyboard/mouse control can be upgraded in two ways:

1. By use of a special MS-DOS utility (in-circuit).
2. By use of an external computer connected (remotely) to the system through the serial port on the board.

4.9.1 H8 In-System Programming

If the user chooses in-system programming of the Crown Beach board, ensure that the following files are available on the DOS bootable media:

1. EC_xx.bin - EC application
2. Fcntl.bin - Renesas Technology* flash algorithm data file
3. Kscflash.exe - downloader

Boot to a DOS environment on the Crown Beach machine and type "kscflash ec_xx.bin" to begin programming the EC.

4.9.2 H8 Remote Programming

If the user chooses to use an external computer (remote programming) connected to the system through the serial port, there are three jumpers that must be set correctly. Refer to [Table 9](#) for a summary of these jumpers and refer to the Crown Beach schematic for the location of each jumper.

The sequence of events necessary to program the H8 is as follows:



1. Extract all files (keep them in the same folder) to a single directory of your choice on the host machine or on a floppy disk (recommended).
2. Connect a NULL modem cable to the serial ports of each platform (host and unit to be flashed).
3. With the board powered off, move the jumpers listed in [Table 14](#) to the programming stuffing option.
4. Attach an ATX power supply to the system and power up the board.
5. Boot the host system into a DOS environment using DOS bootable media
6. Install a serial port onto the target board header J9F1.
7. Hook up a null modem cable.
8. From the directory where you extracted the files on the host machine, run the "kscflash ec_xx.bin /remote" command to program H8 through the serial port.
9. Follow the flash utility instructions.
10. With the board powered off, return the jumpers to their default settings.

Note: Make sure the board is not powered on, and the power supply is disconnected before moving any of the jumpers.



Table 14. H8 Programming Jumpers

#	Jumper	Reference Designator	Default Stuffing Option	Programming Stuffing Option
1	Remote H8 Programming (BB_PROG)	J8D4	1-2 – normal operation (Default)	1-x – link the Host Unit to On Board H8 Remove Power Supply from the system.
2	Remote H8 Programming (JTAG)	J8E1 J8E4	1-X (Open)	1-2 (Short) – to program H8

4.10 UART Connector

UART functionality is added to the Intel® SCH SKU. Use connector J9G6 for UART connectivity.

§



5 Quick Start

The CRB is configured in a protective chassis. To access to the board with chassis open, use caution when configuring the hardware and observe proper safety cautions and warnings. The following sections summarize the necessary hardware and power-on instructions.

Caution: Always turn off the power and unplug the power cord before entering protective chassis. The user is required to observe extra precautions when handling and operating the system.

Note: Review the document provided with the Development Kit titled *Important Safety and Regulatory Information*. This document contains addition safety warnings and cautions.

5.1 Required Peripherals

- DDR2 400- or 533-MHz SDRAM SO-DIMM
- ATX power supply
- Keyboard and mouse
- Hard drive
- Hard drive cable
- Graphics option

Note: PCI Express* and ADD2N (VGA output provided) graphics card "Quick Start" options are not included in this document.



5.2 Graphics Assembly (LVDS Panel)

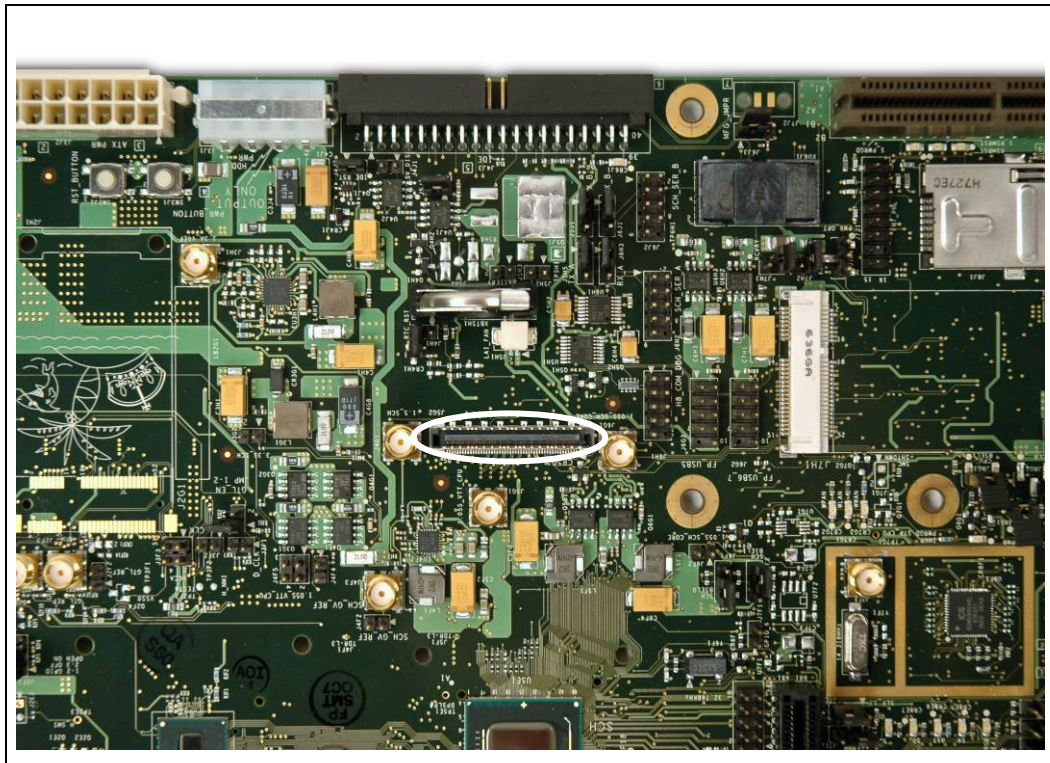
Figure 9. Samsung 15 inch (381.00 mm) Panel



Complete the following steps to operate the reference board with the Samsung 15 inch (381.00 mm), 1024 x 768 (LTN150XG-L08) Panel. These steps will change if using different displays.

Step 1: Remove the Orange/Yellow tape from the Crown Beach Board.

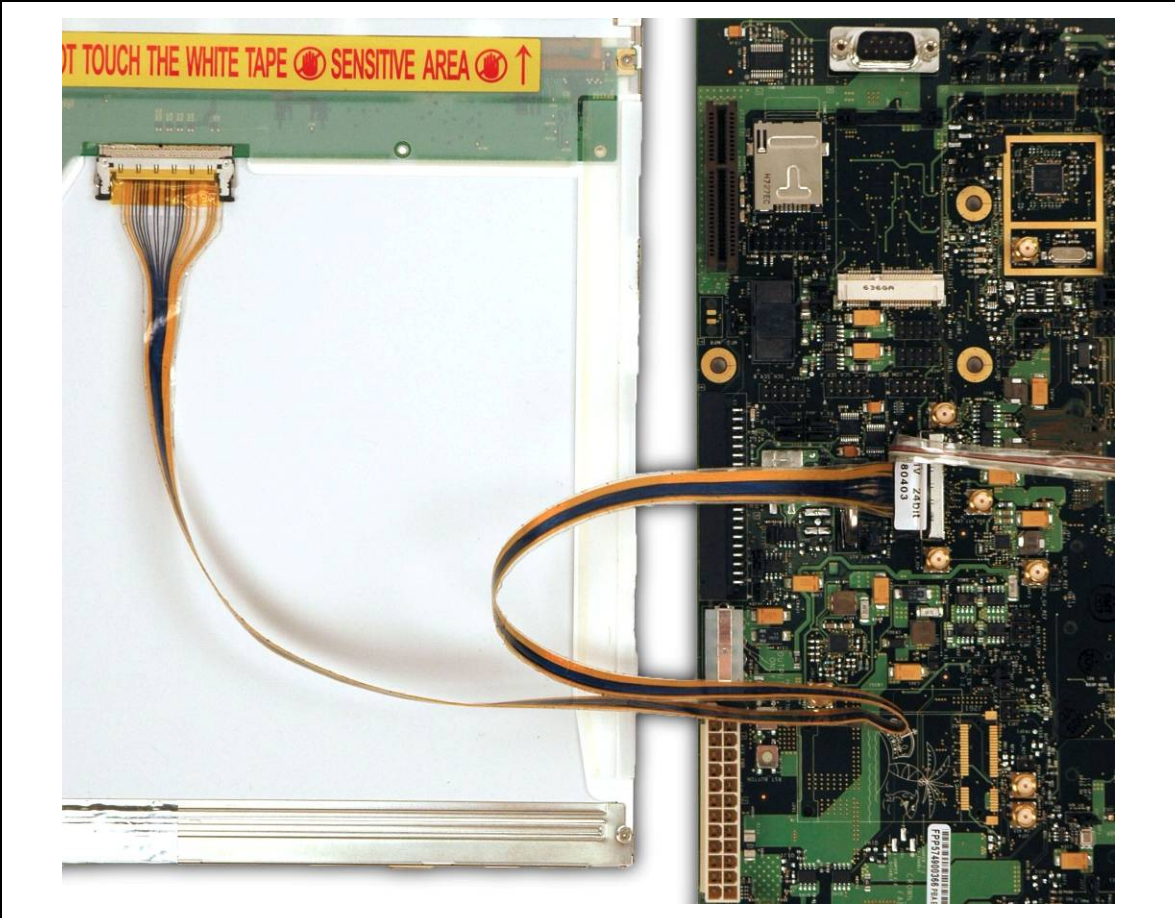
Figure 10. Crown Beach Board





Step 2: Attach the LVDS cable to the Samsung panel and Crown Beach Board.

Figure 11. LVDS Cable Connected to the Crown Beach Board



Step 3: Connect the Back Light Inverter (BLI) to the Samsung panel and LVDS cable.



Step 4: In the Firmware Configuration Menu, go to: Chipset -> North Bridge Configuration -> Boot Display Configuration -> Flat Panel Type to 1024x768 Samsung 15 inch (381.00 mm).

5.3 Power Up

Complete the following steps to operate the reference board.

1. Place a DDR2 SO-DIMM in memory socket J6D1.
2. Install or verify the configuration jumpers as shown in [Section 4.3.1](#).
3. Verify presence of RTC battery in Battery Holder at XBT5H1.
4. Plug in an ATX power supply into connectors J3J2 and J1J1; the connectors are keyed and will only fit in one position.
5. Connect a hard drive to connector J4J3 using a PATA cable (red stripe toward pin 1). Connect ATX power to hard drive.
6. Connect a PS/2 keyboard to connector J1A2 (bottom)
7. Connect a PS/2 mouse to connector J1A2 (top)
Note: You can reverse the connections of the keyboard and mouse.
8. If internal graphics are not used, plug a PCI Express* Graphics card in the PCI-E x1 slot J7C1 and connect a monitor to the card.



Note: VGA output is provided by using the ADD2N card on the SDVO port.

The following steps are optional depending on the user's needs:

1. Attach the Mott Canyon 4 MDC to the MDC header at J9E2 and J9E3. An Intel® HD Audio card can be piggybacked onto the Mott Canyon 4 card to provide soft audio and soft modem functionality. Adapter cables, speakers, or a phone line for a modem may be needed, depending on the specific card used.
2. Attach a desktop CD-ROM (or mobile CD-ROM with adapter) with cable to connector J4J3 (red stripe toward pin 1). Attach a power cable to connector J3J1 or from an ATX power supply. If two IDE devices are used on the same channel, one must be set to master and one must be set to slave. Check the operating instructions for the IDE devices.
3. If desired, connect a USB floppy to one of the USB connectors.

Powering Up the Board

1. Press the power button located at SW3J1.
2. As the system boots, press F2 on the keyboard to enter the Firmware setup screen.
3. Check time, date, and configuration settings. For most users the default settings should be sufficient for the initial bring-up.
4. Press F10 to save and exit the Firmware setup.
5. The system reboots and is ready for use.

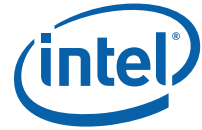
Note: If the board does not power up completely, the Port 80 code on the 7-segment displays (CR7B2 and CR7B3) may provide insight into the issue.

Powering Down the Board

There are three options for powering-down the Crown Beach CRB:

1. Use OS-controlled shutdown through the Windows Start menu (or equivalent)
2. Press the power button on the motherboard at SW3J1 to begin power-down.
3. If the system is hung, it is possible to asynchronously shut the system down by holding the power button down continuously for 4 seconds.

Note: Intel does not recommend powering down the board by shutting off power at the ATX power supply.



5.4 EFI Firmware Updates

To update the EFI image to a newer release, use the EFI binary image and AFUDOS utility included in the latest embedded Intel® Atom™ processor technology firmware kit.

Do the following:

1. Boot into a DOS environment using media which is DOS-bootable and includes AFUDOS and the ROM file.
2. Run the following command (where 'xxx' corresponds to the EFI revision number and 'y' = A [Alpha], B [BETA], G [Gold]): **AFUDOS.exe CBCHyxxx.rom /p /b /n /x /c**
3. Reboot the system.

§



Appendix A Daughter and Plug-In Cards

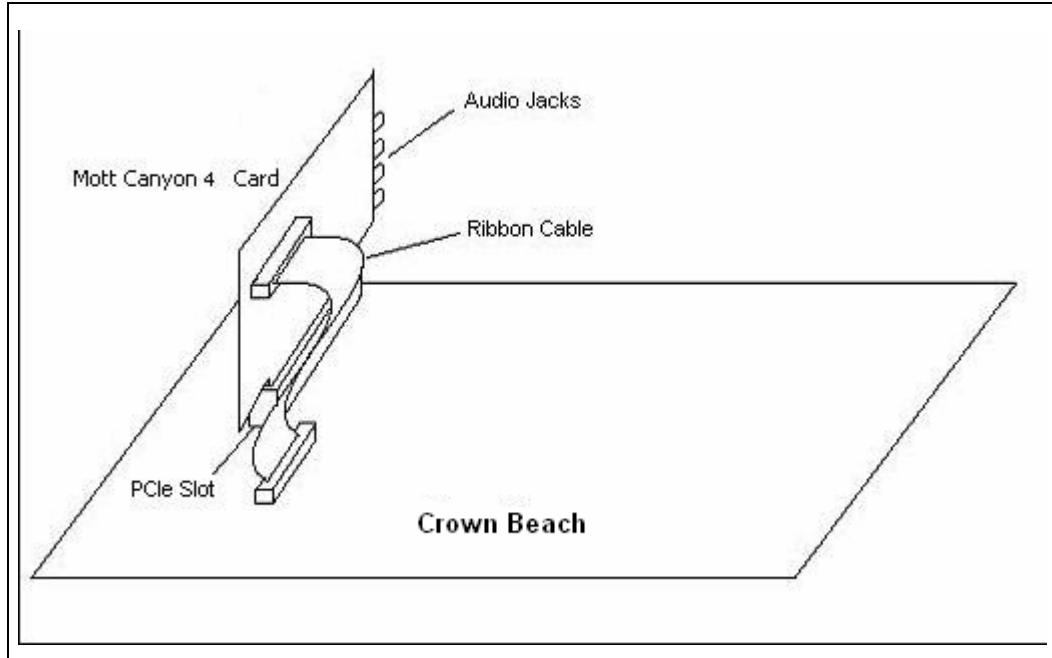
A.1 Mott Canyon 4 Interposer Card

The Mott Canyon 4 Interposer card is provided to enable Intel® HD Audio functionality on the Crown Beach Board. Functionality includes:

- Supports three Mobile Daughter Card (MDC) headers and up to two Intel® High Definition codecs simultaneously
- Plugs into a PCI Express* slot—for mechanical stability only
- Electrically connected to the platform through a 26-pin ribbon cable from the Mott Canyon 4 Interposer card to a 2 x 8 header (J9E2) and 2 x 4 header (J9E3) on Crown Beach
- Intel® HD Audio MDC cards may require sideband signal cables for proper operation
- Headers on the Mott Canyon 4 card are provided for both modem and audio sideband signals

For additional information see Sheet 21 of the Crown Beach schematics.

Figure 12. Mott Canyon 4 Interposer Card



A.1.1 Jumper Settings

The Mott Canyon 4 Interposer card can select either Primary or Secondary Intel® HD Audio functionality for MDC0 and MDC1 connectors with two jumper options, J16 and J25.

In Intel® HD Audio mode, MDC0 is designed to house the primary codec (usually audio but could be modem if there is no audio) and if necessary, MDC1 is designed to house the modem codec. MDC2 supports an Intel® HD Audio modem-only codec.

The Intel® SCH supports up to two SDATA_IN channels (0, 1). Two jumpers, J27 and J28 are used to select the appropriate SDATA_IN channels for each of the MDCs. Be aware that SDATA_IN channels 1 and 2 can be also overridden through jumpers on the evaluation platform. If either SDATA_IN1 or SDATA_IN2 are not shunted properly on the evaluation platform, these lines are not available to the Mott Canyon 4 Interposer card. Proper operation of the Intel® HD Audio interface requires that only one SDATA_IN line is routed to one codec at a time.



[Table 15](#) summarizes the default and optional settings for the jumper/switches.

Table 15. Mott Canyon 4 Interposer Card Configuration Jumper/Switches

#	Description	Default Setting	Optional Setting	Reference Designator
1	ACZ_SD_0 Destination (MDC-0-1-2)	1-2 for MDC0 codec A	3-4 for MDC0 codec B 5-6 for MDC1 codec A 7-8 for MDC1 codec B 9-10 for MDC2 codec A	J27
2	ACZ_SD_1 Destination (MDC-0-1-2)	5-6 for MDC1 codec A	1-2 for MDC0 codec A 3-4 for MDC0 codec B 7-8 for MDC1 codec B 9-10 for MDC2 codec A	J28
3	ACZ_SD_2 Destination (MDC-0-1-2)	9-10 for MDC2 codec A	1-2 for MDC0 codec A 3-4 for MDC0 codec B 5-6 for MDC1 codec A 7-8 for MDC1 codec B	J29
4	MDC0 Primary Jumper	2-3 for primary	1-2 for secondary	J16
5	MDC1 Primary Jumper	2-3 for primary	1-2 for secondary	J25
6	3.3-V Power Option	1-2 for mobile	2-3 for desktop	J24
7	5.0-V Power Option	1-2 for mobile	2-3 for desktop	J32
8	MDC0 Docking Emulation (Switch Enable)	1-2 for off	2-3 for on	J33
9	MDC0 Docking Emulation (Dock_RST#)	1-2 for normal	2-3 for docking emulation	J26



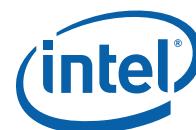
A.1.2 Firmware Configuration

To enable Mott Canyon 4 Interposer card High Definition Audio functionality, the Firmware settings may need to be modified.

To modify the Firmware settings do the following:

1. With the system powered off, press the power button located at SW3J1.
2. As the system boots, press DEL on the keyboard to enter the Firmware setup screen.
3. Move the top cursor (using the sideways arrow keys) to **Chipset**.
4. Move the screen cursor (using the up/down arrow keys) to **South Bridge Configuration** and press the Enter key.
5. Move the screen cursor to **Audio Controller Codec** and press the Enter key.
6. Select **Azalia** for the audio codec.
7. Save the settings and exit the Firmware.

§



Appendix B Intel® MVP-6 VID Codes

Table 16 Voltage Identification Definition

VID6	VID5	VID4	VID3	VID2	VID1	VID0	V _{CC} (V)
0	0	1	1	0	0	0	1.2000
0	0	1	1	0	0	1	1.1875
0	0	1	1	0	1	0	1.1750
0	0	1	1	0	1	1	1.1625
0	0	1	1	1	0	0	1.1500
0	0	1	1	1	0	1	1.1375
0	0	1	1	1	1	0	1.1250
0	0	1	1	1	1	1	1.1125
0	1	0	0	0	0	0	1.1000
0	1	0	0	0	0	1	1.0875
0	1	0	0	0	1	0	1.0750
0	1	0	0	0	1	1	1.0625
0	1	0	0	1	0	0	1.0500
0	1	0	0	1	0	1	1.0375
0	1	0	0	1	1	0	1.0250
0	1	0	0	1	1	1	1.0125
0	1	0	1	0	0	0	1.0000
0	1	0	1	0	0	1	0.9875
0	1	0	1	0	1	0	0.9750
0	1	0	1	0	1	1	0.9625
0	1	0	1	1	0	0	0.9500
0	1	0	1	1	0	1	0.9375



VID6	VID5	VID4	VID3	VID2	VID1	VID0	V _{CC} (V)
0	1	0	1	1	1	0	0.9250
0	1	0	1	1	1	1	0.9125
0	1	1	0	0	0	0	0.9000
0	1	1	0	0	0	1	0.8875
0	1	1	0	0	1	0	0.8750
0	1	1	0	0	1	1	0.8625
0	1	1	0	1	0	0	0.8500
0	1	1	0	1	0	1	0.8375
0	1	1	0	1	1	0	0.8250
0	1	1	0	1	1	1	0.8125
0	1	1	1	0	0	0	0.8000
0	1	1	1	0	0	1	0.7875
0	1	1	1	0	1	0	0.7750
0	1	1	1	0	1	1	0.7625
0	1	1	1	1	0	0	0.7500
0	1	1	1	1	0	1	0.7375
0	1	1	1	1	1	0	0.7250
0	1	1	1	1	1	1	0.7125
1	0	0	0	0	0	0	0.7000
1	0	0	0	0	0	1	0.6875
1	0	0	0	0	1	0	0.6750
1	0	0	0	0	1	1	0.6625
1	0	0	0	1	0	0	0.6500
1	0	0	0	1	0	1	0.6375
1	0	0	0	1	1	0	0.6250
1	0	0	0	1	1	1	0.6125
1	0	0	1	0	0	0	0.6000
1	0	0	1	0	0	1	0.5875
1	0	0	1	0	1	0	0.5750



VID6	VID5	VID4	VID3	VID2	VID1	VID0	V _{CC} (V)
1	0	0	1	0	1	1	0.5625
1	0	0	1	1	0	0	0.5500
1	0	0	1	1	0	1	0.5375
1	0	0	1	1	1	0	0.5250
1	0	0	1	1	1	1	0.5125
1	0	1	0	0	0	0	0.5000
1	0	1	0	0	0	1	0.4875
1	0	1	0	0	1	0	0.4750
1	0	1	0	0	1	1	0.4625
1	0	1	0	1	0	0	0.4500
1	0	1	0	1	0	1	0.4375
1	0	1	0	1	1	0	0.4250
1	0	1	0	1	1	1	0.4125
1	0	1	1	0	0	0	0.4000
1	0	1	1	0	0	1	0.3875
1	0	1	1	0	1	0	0.3750
1	0	1	1	0	1	1	0.3625
1	0	1	1	1	0	0	0.3500
1	0	1	1	1	0	1	0.3375
1	0	1	1	1	1	0	0.3250
1	0	1	1	1	1	1	0.3125
1	1	0	0	0	0	0	0.3000

§

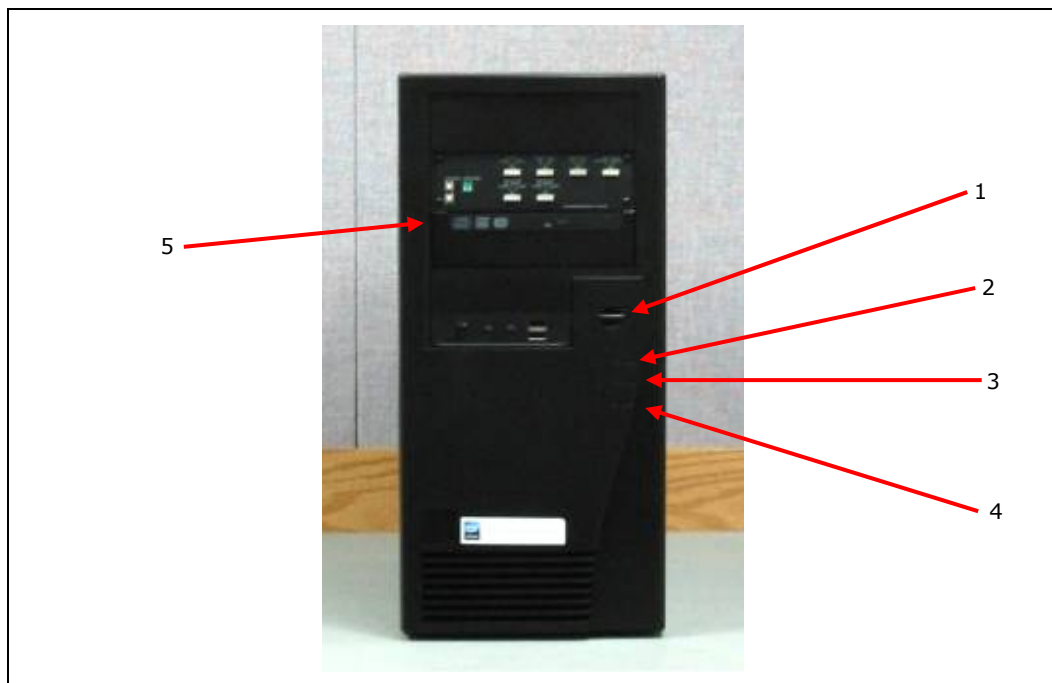
Appendix C External Features

C.1 External Feature Locations

The section describes the modifications that directly support the Crown Beach CRB motherboard and the general chassis information.

C.1.1 External Feature Location (Front of Chassis)

Figure 13. Front Chassis View

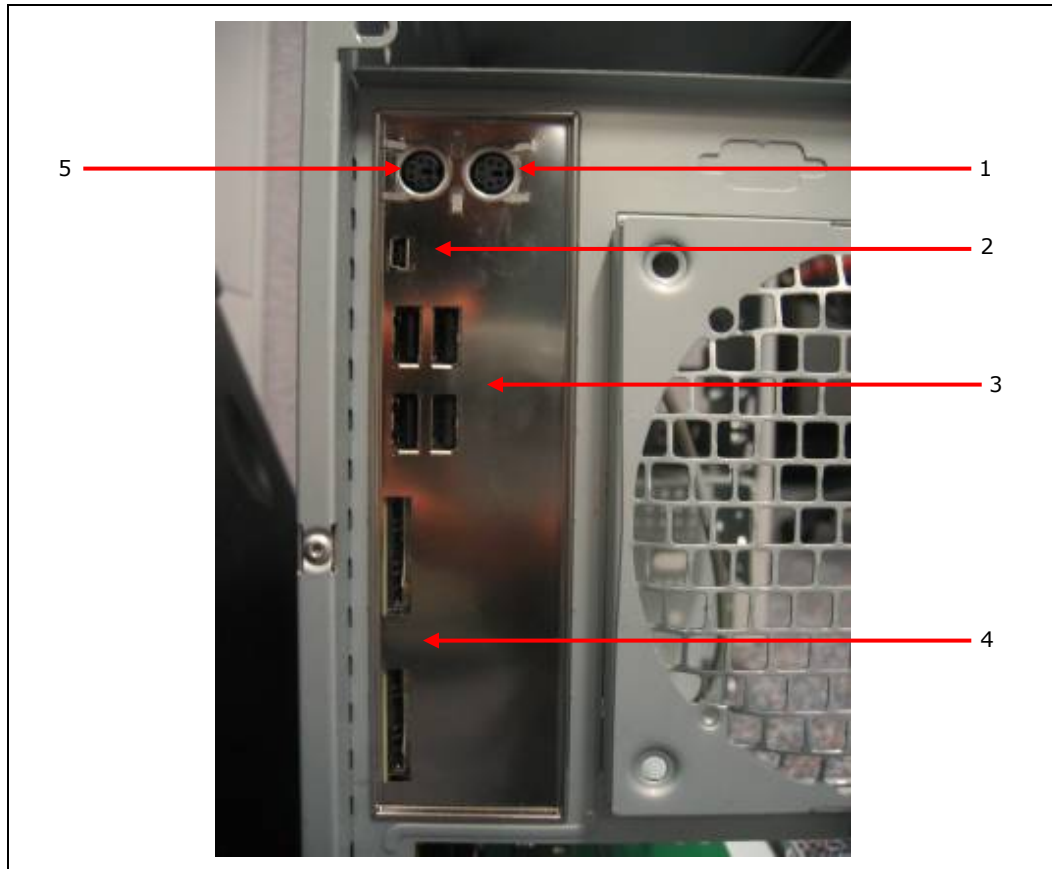


1. Power switch
2. Power LED
3. HDD Activity LED
4. Reset switch

5. DVD-ROM Drive

C.1.2 External Feature Location (Rear of Chassis)

Figure 14. Rear Chassis View with Board Installed



1. PS/2 mouse port
2. USB C port
3. 2 Dual stack USB—USB 2.0 ports
4. SDIO ports
5. PS/2 keyboard port

§

Free Manuals Download Website

<http://myh66.com>

<http://usermanuals.us>

<http://www.somanuals.com>

<http://www.4manuals.cc>

<http://www.manual-lib.com>

<http://www.404manual.com>

<http://www.luxmanual.com>

<http://aubethermostatmanual.com>

Golf course search by state

<http://golfingnear.com>

Email search by domain

<http://emailbydomain.com>

Auto manuals search

<http://auto.somanuals.com>

TV manuals search

<http://tv.somanuals.com>