

Intel[®] RAID Controller SRCASPH16I

Hardware Guide

Intel Order Number: E33256-001

INFORMATION IN THIS DOCUMENT IS PROVIDED IN CONNECTION WITH INTEL(R) PRODUCTS. NO LICENSE, EXPRESS OR IMPLIED, BY ESTOPPEL OR OTHERWISE, TO ANY INTELLECTUAL PROPERTY RIGHTS IS GRANTED BY THIS DOCUMENT. EXCEPT AS PROVIDED IN INTEL'S TERMS AND CONDITIONS OF SALE FOR SUCH PRODUCTS, INTEL ASSUMES NO LIABILITY WHATSOEVER, AND INTEL DISCLAIMS ANY EXPRESS OR IMPLIED WARRANTY, RELATING TO SALE AND/OR USE OF INTEL PRODUCTS INCLUDING LIABILITY OR WARRANTIES RELATING TO FITNESS FOR A PARTICULAR PURPOSE, MERCHANTABILITY, OR INFRINGEMENT OF ANY PATENT, COPYRIGHT OR OTHER INTELLECTUAL PROPERTY RIGHT. Intel products are not intended for use in medical, life saving, life sustaining applications.

Intel may make changes to specifications and product descriptions at any time, without notice.

Intel is a trademark or registered trademark of Intel Corporation or its subsidiaries in the United States and other countries.

*Other names and brands may be claimed as the property of others.

Copyright © 2008 by Intel Corporation. Portions Copyright 2005-2007 by LSI Logic Corporation. All rights reserved.

Preface

This is the primary reference and user's guide for the Intel® RAID Controller SRCASPH16I, which can be used for SAS and SATA disk drives. It contains installation instructions and specifications.

For details on how to configure the storage adapters, and for an overview of the software drivers, see the *Software User's Guide* on the Resource CD.

Audience

This document assumes that you have some familiarity with RAID controllers and related support devices. The people who benefit from this book are:

- Engineers who are designing a RAID Controller SRCASPH16I storage adapter into a system.
- Anyone installing a RAID Controller SRCASPH16I storage adapter in a RAID system.

Organization

This document includes the following chapters and appendixes:

- Chapter 1 provides a general overview of the Intel® RAID Controller SRCASPH16I.
- Chapter 2 describes the procedures for installing the RAID Controller SRCASPH16I storage adapter.
- Chapter 3 provides the characteristics and technical specifications for the RAID Controller SRCASPH16I storage adapter.
- Appendix A lists and explains the terms and abbreviations used in this manual.

Related Publication

The *Software User's Guide* on the Resource CD that is included with the RAID controller.

Figures

Figure 1. Inserting the Intel® RAID Controller SRCASPH16I into a PCI Express* Slot.....	8
Figure 2. Connecting the Disk Drive.....	9
Figure 3. SAS and SATA Plugs and SAS Backplane Connector.....	10
Figure 4. Card Layouts.....	12

Contents

Preface	iii
Audience	iii
Organization	iii
Related Publication	iii
Chapter 1, Overview	1
Summary of SAS RAID Controller Features	1
Usability	2
Redundancy and Error Handling	3
SAS and SATA Features	4
Online Capacity Expansion and RAID Level Migration Rules	4
Beep Codes	5
Benefits of Serial Attached SCSI (SAS)	5
Chapter 2, Intel® RAID Controller SRCASPH16I Hardware Installation	7
Requirements	7
Installation	8
Connecting the Cables	10
Configuring the Storage Adapter	11
Replacing a Controller	11
Resolving a Configuration Mismatch	11
Chapter 3, Intel® RAID Controller SRCASPH16I Characteristics	12
Technical Specifications	13
Array Performance Features	14
Fault Tolerance	15
Electrical Characteristics	16
Thermal and Atmospheric Characteristics	16
Safety Characteristics	17
A. Glossary of Terms and Abbreviations	18

Tables

Table 1. Jumper Descriptions	12
Table 2. Specifications	14
Table 3. Array Performance Features	14
Table 4. Fault Tolerance Features	15
Table 5. Maximum Power Requirements	16
Table 6. Environmental Specifications	16
Table 7. Storage and Transit Specifications	16

1 Overview

This chapter provides a general overview of the Intel® RAID Controller SRCASPH16I. It consists of the following sections:

- Summary of SAS RAID Controller Features
- Benefits of Serial Attached SCSI (SAS)

The Intel® RAID Controller SRCASPH16I Storage Adapter is a high-performance intelligent PCI Express* SAS RAID controller. It provides reliability, high performance, and fault-tolerant disk subsystem management. This is an ideal RAID solution for the internal storage needs of workgroup, departmental, and enterprise systems. The RAID Controller SRCASPH16I offers a cost-effective way to implement RAID in a server for internal and external storage.

The SAS controller allows you to use SATA and SAS hard disk drives in the same system, so you can take advantage of the benefits of each type of drive. The controller can connect up to eight drives directly and use expanders to connect to additional drives. See the ANSI SAS standard, version 1.0 specification for more information about the use of expanders.

As the second generation PCI Express storage adapter, the RAID Controller SRCASPH16I addresses the growing demand for increased data throughput and scalability requirements across midrange and enterprise-class server platforms. Simplified cabling between drives is an additional benefit.

The optional Intel® RAID Smart Battery for cached data protection allows system builders to protect cached data during catastrophic system failures.

Summary of SAS RAID Controller Features

The Intel® RAID Controller SRCASPH16I is an intelligent low-profile RAID adapter with:

- An Intel® IOP333 I/O processor running at 500 MHz.
- An LSI 1068 SAS (including SATA) controller.
- 256 MB RAM.
- Sixteen independent internal ports provided via four SFF8087 connectors.
- Support for both enterprise-class SAS devices and desktop-class SATA drives.
- Support for up to 122 SAS or SATA drives and 64 logical drives.
- PCI Express* connector that fits into a x8 PCI Express slot capable of 2.5 Gbps per lane over PCI Express x1, or x16.
- 3.0 Gbps point-to-point transfer rate.

The SAS controller supports the ANSI Serial Attached SCSI (SAS) standard, version 1.0. In addition, the controller supports the Serial ATA (SATA) protocol defined by the Serial ATA specification, version 1.0a. The SAS controller is a versatile controller that supporting both the SAS and SATA interfaces and provides the backbone of both server and high-end workstation environments.

Protocols supported include:

- Serial SCSI Protocol (SSP): Communication with other SAS devices.
- SATA II Protocol: Communication with other SATA II devices.
- Serial Management Protocol (SMP): Topology management information sharing with expanders.
- Serial Tunneling Protocol (STP) support for SATA II through expander interfaces.

Usability

- Smaller, thinner cabling with serial point-to-point 3.0 Gbps data transfer rates.
- Allows mixed connections to SAS or SATA targets.
- Support for non disk devices and mixed capacity drives.
- Support for intelligent XOR RAID levels 0, 1, 5, 6, 10, 50 and 60.
- Dedicated or global hot spare with auto rebuild if an array drive fails.
- User defined stripe size per drive (8, 16, 32, 64 (def), or 128 KB).
- Advanced array configuration and management utilities that provide:
 - Online Capacity Expansion (OCE) adds space to existing drive or new drive.
 - Online RAID level migration (upgrade of RAID mode, may require OCE).
 - Drive migration.
 - Drive roaming.
 - No reboot necessary after expansion.
- An upgradeable Flash ROM interface.
- Allows for staggered spin up, hot plug, lower power consumption.

- User specified rebuild rate (% of system resources to use from 0-100%).
Warning: Exceeding 50% rate may cause operating system errors caused by waiting for controller access.
- Background operating mode can be set for rebuilds, consistency checks, initialization (auto restarting consistency check on redundant volumes), migration, OCE, and patrol read.

Redundancy and Error Handling

- Enclosure management support, including LEDs.
- Activity and fault indicators per drive, port selector (dual-port drives).
- Drive coercion (auto resizing to match existing disks).
- Auto-detection of failed drives with transparent rebuild. Disk activity (I/O to the drive) must be present for a missing drive to be marked as failed.
- Auto-resume on reboot of initialization or rebuild (must be enabled before virtual disk creation).
- Smart initialization automatically checks consistency of virtual disks if there are five or more disks in a RAID 5 array which optimizes performance by enabling read-modify-write mode. RAID 5 arrays of only three or overdrives use peer read mode.
- Dirty cache LED plus *cache write to disk* error reporting.
- Smart Technology predicts failures of drives and electronic components.
- Patrol Read checks drives and maps bad sectors.
- Commands are retried at least four times.
- Firmware provides best effort to recognize an error and recover from it if possible.
- Failures are logged from controller and drive firmware, SMART monitor, SAF-TE controller.
- Failures are logged in NVRAM, viewable from OS Event Log, Intel® RAID Web Console 2; CIM, LEDs, and via alarm.
- Multiple cache options provide choice of speed, redundancy:
 - Write: The data written / (done) signal is returned when data is written to drive or only to cache:
 - ^ Write-back (default): Faster, because it since doesn't wait for the disk, but data will be lost if power is lost.
 - ^ Write-through: Slower, but ensures data is on the disk.
 - Read Ahead: Predicts the next read will be sequential and buffers this data into the cache:
 - ^ NonRead Ahead: Always reads from the drive after determining the exact location of each read.
 - ^ Adaptive Read Ahead: Will read ahead and cache data only if doing sequential reads.

- I/O setting: Determines whether to read/write from cache to improve performance:
 - ^ Cache I/O: Writes to the cache and next read checks the cache first.
 - ^ Direct I/O: Never uses cache, all data goes from host to disk to host.
- Redundancy through:
 - Configuration stored in nonvolatile RAM and on the drives (COD).
 - Hot swap support.
 - Optional battery backup for cache memory. Controller provides fast or trickle charges.

SAS and SATA Features

- Provides sixteen independent PHYs, each supporting 3.0 Gbps and 1.5 Gbps SAS and SATA data transfers.
- Scalable interface that supports up to 16 directly attached SAS/SATA devices, 64 logical devices, or 122 SAS devices via expanders.
- Transfers data using SCSI information units.
- Supports SSP to enable communication with other SAS devices.
- Supports SMP to communicate topology management information.
- Supports single PHY or wide ports consisting of 2, 3, or 4 PHY within a single quad port.
- Allows addressing of multiple SATA targets through an expander if using SATA 2.0-compliant hard disk drives.
- Allows multiple initiators to address a single target (in a fail-over configuration) through an expander.

Online Capacity Expansion and RAID Level Migration Rules

- Migration must occur to the same or larger capacity configuration.
- Migration cannot occur if there is more than one virtual disk in a logical array.
- Migration and OCE cannot be done on Spanned Arrays (RAID 10, 50).
- Migrations supported are: RAID 1 to RAID 0, RAID 5 to RAID 0.
- With OCE, migrations supported are RAID 0 to RAID 1, RAID 0 to RAID 5, RAID 1 to RAID 5.

Operating System Support

The RAID Controller SRCSASPH16I supports major operating systems, including:

- Microsoft Windows Server 2008*, Microsoft Windows Server 2003*, and Microsoft Windows XP*
- Red Hat* Enterprise Linux 4.0 and 5.0 (32 and 64 bit)
- SuSe* Linux Enterprise Server 9 and 10 (32 and 64 bit)

Note: The operating systems supported by this controller may not be supported by your server board. See the tested operating system list for your server board at <http://support.intel.com/support/motherboards/server/>. See also the tested hardware and operating system list for the RAID Controller SRCSASPH16I to make sure the RAID card supports your operating system.

Beep Codes

- Short beep, 1 second on, 1 second off: The array is degraded, but no data is lost
- Long beep, 3 seconds on, 1 second off: The array has failed and data has been lost.
- Short beep, 1 second on, 3 seconds off: Using hot spare in rebuild. The alarm will continue during the rebuild with a different sound at completion.

To disable the alarm, choose Disable Alarm. To disable the alarm only until the next event or until the next power cycle, choose Silence Alarm. To enable the alarm, choose Enable Alarm.

Benefits of Serial Attached SCSI (SAS)

SAS is a serial, point-to-point, enterprise-level device interface that leverages the proven SCSI protocol set. SAS is a convergence of the advantages of SATA, SCSI, and FC, and is the future mainstay of the enterprise and high-end workstation storage markets. SAS offers a higher bandwidth per pin than parallel SCSI, and improves signal and data integrity.

The SAS interface uses the proven SCSI command set to ensure reliable data transfers, while providing the connectivity and flexibility of point-to-point serial data transfers. The serial transmission of SCSI commands eliminates clock skew challenges. The SAS interface provides improved performance, simplified cabling, smaller connectors, lower pin count, and lower power requirements when compared to parallel SCSI.

SAS controllers leverage a common electrical and physical connection interface that is compatible with Serial ATA technology. The SAS and SATA protocols use a thin, 7-wire connector instead of the 68-wire SCSI cable or 40-wire ATA cable. The SAS/SATA connector and cable are easier to manipulate, allow connections to smaller devices, and do

not inhibit airflow. The point-to-point SATA architecture eliminates inherent difficulties created by the legacy ATA master-slave architecture, while maintaining compatibility with existing ATA firmware.

2 Intel® RAID Controller SRCSASPH16I Hardware Installation

This chapter describes the procedures used to install the Intel® RAID Controller SRCSASPH16I with internal and external connectors.

Requirements

The following items are required to install a RAID Controller SRCSASPH16I:

- An Intel® RAID Controller SRCSASPH16I.
- A host system with an available x8 or x16 bi-directional PCI Express* slot.
- The *Resource CD*, which contains drivers and documentation.
- The cables provided with the RAID controller.
- SAS or SATA hard disk drives.

Intel Corporation strongly recommends using an uninterruptible power supply (UPS).

Installation

1. Power off the computer and all drives, enclosures, and system components. Remove the power cord from the computer.
2. Remove the chassis cover and access the PCI Express add-in card slots. See your server chassis documentation for instructions.
3. Align the controller's connector with a x8 or x16 PCI Express* slot on the server board.
4. Press down gently but firmly to ensure that the card is properly seated in the slot, as shown in [Figure 1](#). Secure the bracket to the computer chassis.

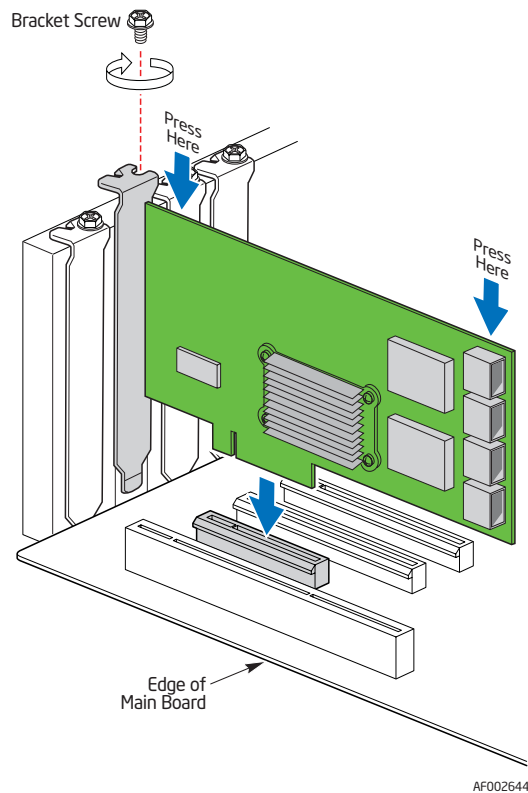


Figure 1. Inserting the Intel® RAID Controller SRCASPH16I into a PCI Express* Slot

5. Connect the provided internal cables into the adapter using the 4-port combined end. Make sure the controller and cables are properly attached.

- Plug the cable into connector at the inside edge of the adapter.

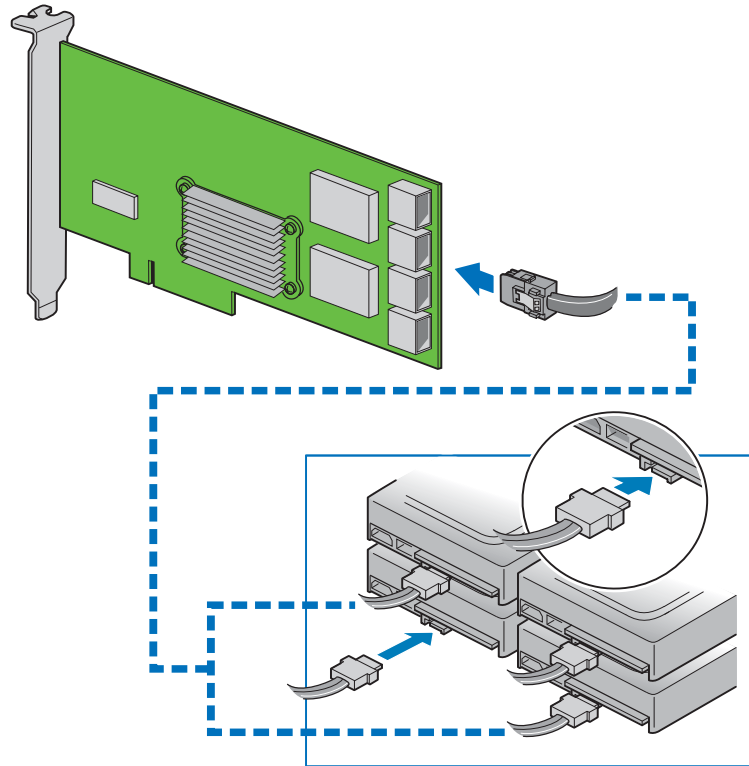


Figure 2. Connecting the Disk Drive

Note: System throughput problems can occur if using SAS cables that do not come with the RAID controller and that are not the correct type. To minimize the potential for problems:

- Use cables no longer than ten meters for SAS and one meter for SATA. It is better to use the shortest possible cables. The cable length should be reduced by about one foot (.33 meters) if using a backplane.

- You may connect one device per SATA/SAS cable either as a device or as an expander.

- Route SAS cables carefully.

- Use only “straight” SAS cables, not “cross-over” SAS cables.

6. Replace components you needed to remove to access the PCI Express add-in card slot. See your server chassis documentation for instructions.
7. Reinstall the chassis cover and reconnect the power cord(s). See your server chassis documentation for instructions.
8. Reconnect any peripheral items you needed to disconnect.
9. Turn the power on to the server and hard drives. As the server powers up, listen to be sure that the SAS and SATA devices are powered up before or at the same time as the computer boots.

10. Watch the boot process until you see a BIOS message to inform you of the key combination to press to enter the RAID BIOS Console. It will look similar to the following message:

Press <CTRL><G> to run BIOS Console 2.

This message will time out after several seconds and pass the option to get into the BIOS Console.

The firmware takes several seconds to initialize and will then display the RAID Controller SRCASPH16I number and firmware version. The numbering of the controllers follows the PCI slot scanning order used by the server board.

Connecting the Cables

This section describes the cables used on the SAS controller and provides instructions for connecting SAS and SATA hard disk drives to the SAS RAID controller.

Note: Use only “straight” SAS cables, not “cross-over” SAS cables.

A SATA connector consists of a signal connector and a power connector. The SAS connector adds a bridge (primary physical link) between the signal connector and the power connector. This means SAS backplane connectors can accept either drive type, but SATA backplane connectors can ONLY accept SATA drives. [Figure 3](#) shows these connectors.

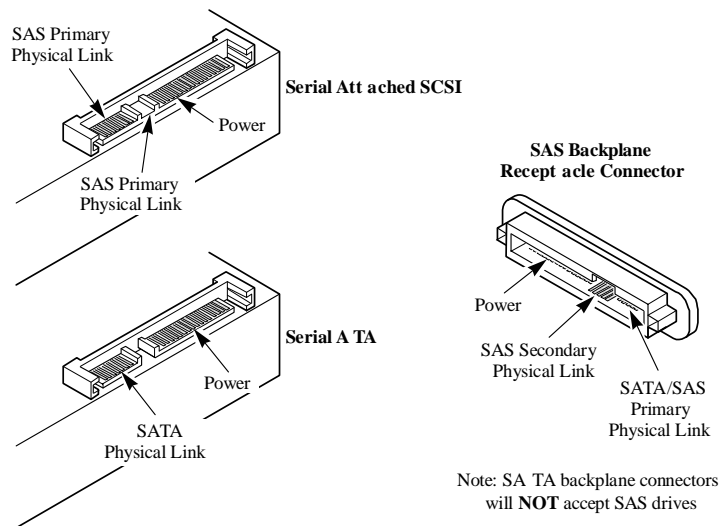


Figure 3. SAS and SATA Plugs and SAS Backplane Connector

Configuring the Storage Adapter

After performing the Intel® RAID Controller SRCASPH16I installation, you must configure the storage adapter and install the operating system driver. The *Software User's Guide* instructs you on the configuration options and how to set them on your RAID Controller SRCASPH16I, and provides detailed installation instructions for operating system drivers.

Replacing a Controller

Perform the following steps to replace a failed controller.

1. Power off the computer and all drives, enclosures, and system components. Remove the power cord.
2. Remove the chassis cover and access the PCI Express add-in card slots. See your server documentation for instructions.
3. Disconnect the cable(s) from the RAID controller.
4. Remove the failed controller from the system.
5. Insert the replacement controller into the system. Follow the instructions under [Installation](#).

Resolving a Configuration Mismatch

If a replacement RAID Controller SRCASPH16I has a previous configuration, a message displays during POST stating that there is a configuration mismatch. A configuration mismatch occurs when the configuration data in the NVRAM and the hard disk drives are different. You need to update the configuration data in the NVRAM with the data from the hard disk drive.

Perform the following steps to resolve the mismatch.

1. Press <Ctrl> <G> when prompted during the boot process to access the BIOS Configuration Utility.
2. Select Configure—>View/Add Configuration. This allows viewing of the NVRAM and drive configurations.
3. Select the configuration on disk because the drives contain the correct configuration.
4. Press <Esc> and select YES to update the NVRAM.
5. Exit and reboot.

3 Intel® RAID Controller SRCASPH16I Characteristics

This chapter describes the characteristics of the Intel® RAID Controller SRCASPH16I. Figure 4 displays the connectors and headers on the controller and Table 1 describes them.

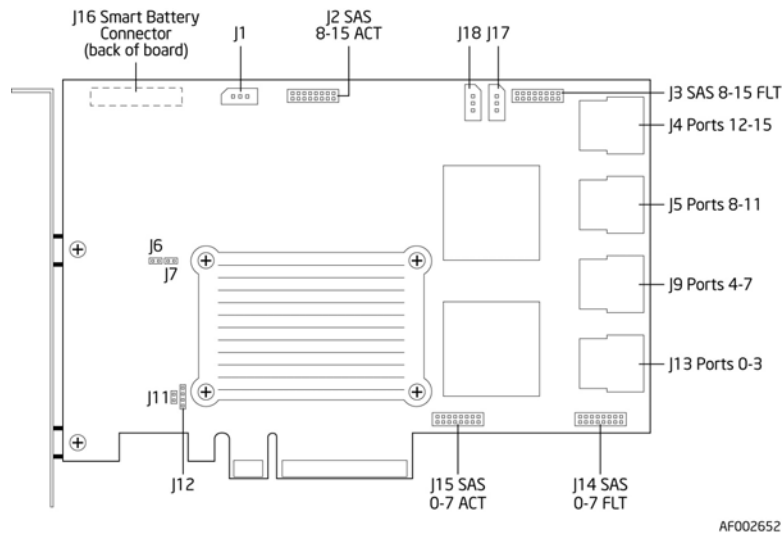


Figure 4. Card Layout

Table 1. Jumper Descriptions

Jumper	Description	Type	Comments
J1	Keyed I ² C connector	3-pin connector	Out-of-band enclosure management (SAF-TE).
J2	Port activity LED header (8-15)	8x2 header	LED signal for activity per port for 8-15 ports.
J3	Drive Fault LED header (8-15)	8x2 header	LED signal support for front panel drive fault per port (8-15).
J4	Internal SAS/SATA port connector, ports 12-15	SFF8087	Connection to SAS/SATA devices.
J5	Internal SAS/SATA port connector, ports 8-11	SFF8087	Connection to SAS/SATA devices.

Table 1. Jumper Descriptions

Jumper	Description	Type	Comments
J6	Dirty Cache LED Header	SFF8087	For connection to enclosure LED. When lit, indicates the data in the cache has not been written to disk.
J9	Internal SAS/SATA port connector, ports 4-7	SFF8087	Connection to SAS/SATA devices.
J11	Mode 0 select	2-pin connector	No jumper is required for normal operation. Setting the controller to Mode 0 holds the I/O processor in reset for firmware recovery. <ul style="list-style-type: none"> • "No Jumper = Normal operational mode. • "Jumper = Mode 0 for firmware recovery, requires a firmware recovery utility and firmware image file.
J12	Universal Asynchronous Receiver/Transmitter (UART)	4-pin connector	For factory and debug use.
J13	Internal SAS/SATA port connector, ports 0-3	SFF8087	Connection to SAS/SATA devices.
J14	Drive Fault LED Header (0-7)	8x2 header	LED signal support for front panel drive fault per port (0-7).
J15	Port activity LED header (0-7)	8x2 header	LED signal for activity per port for 0-7 ports.
J16	Intel® RAID Smart Battery Connector	20-pin connector	Cable connector for the external battery pack. This connector is located on the back side of the board.
J17	Keyed I ² C connector	3-pin connector	Out-of-band enclosure management (SES2).
J18	Keyed I ² C connector	3-pin connector	Out-of-band enclosure management (SES2).

Technical Specifications

The design and implementation of the Intel® RAID Controller SRCASPH16I minimizes electromagnetic emissions, susceptibility to radio frequency energy, and the effects of electrostatic discharge. See the appendices for regulatory marks and certifications.

Table 2 lists the specifications for the Intel® RAID Controller SRCSASPH16I.

Table 2. Specifications

Specification	Intel® RAID Controller SRCSASPH16I
Processor (PCI Controller)	Intel® 80333 I/O processor at 500 MHz
Operating Voltage	+3.3 V, +12 V
Card Size	Full-height PCI Express* adapter card size (6.6 inches by 4.2 inches)
Array Interface to Host	PCI Express* Rev 1.0A, x8 lane width 2.5 Gbps
SAS Bus Speed	3 Gbps per port, point-to-point
SAS Controller	One LSI SAS 1068 controller
SAS / SATA Ports	4x4 internal ports. Supports 122 SAS/SATA devices using expanders, 64 virtual disks.
Cache	Integrated 256 MB RAM, optional battery backup
Firmware	4 MB in reflashable flash ROM
Compatible Devices	Mixed capacity, mixed SATA and SAS in different enclosures; non-disk devices, including expanders.
Cabling	Small, thin cables do not restrict airflow; shared connectors for multiple drive types.
Redundant Configuration	32 Kb NVRAM and config on disk (COD) store RAID configuration.
Enclosure Management	I ² C out-of-band, SES2 in-band, SAF-TE (LEDs)

Array Performance Features

Table 3 shows the RAID Controller SRCSASPH16I array performance features.

Table 3. Array Performance Features

Specification	Intel® RAID Controller SRCSASPH16I
PCI Express* Host Data Transfer Rate	2.5 Gigabit/s per lane
Drive Data Transfer Rate	3 Gigabit/s per lane
Maximum Scatter/Gathers	26 elements

Table 3. Array Performance Features

Specification	Intel® RAID Controller SRCSASPH16I
Maximum Size of I/O Requests	6.4 Mbytes in 64 Kbyte stripes
Maximum Queue Tags per Drive	As many as the drive can accept
Stripe Sizes	8, 16, 32, 64, or 128 Kbyte
Maximum Number of Concurrent Commands	255
Support for Multiple Initiators	Yes
Flexibility	Drive migration, RAID level migration; drive roaming online capacity expansion, without reboot
Background Services	Rebuild, consistency check, initialization, migration, OCE, and patrol read
Cache Options	Write-back or write-through, read ahead, adaptive read ahead, non-read ahead, cache I/O or direct I/O

Fault Tolerance

Table 4 shows the RAID Controller SRCSASPH16I fault tolerance features.

Table 4. Fault Tolerance Features

Specification	Intel® RAID Controller SRCSASPH16I
Self Monitoring Analysis and Reporting Technology (SMART) support	Detects up to 70% of all predictable disk drive failures and monitors the internal performance of all motors, heads, and drive electronics.
Optional Battery Backup	Intel® RAID Smart Battery cache backup. Trickle / fast charging. Charge indicator.
Drive Replacement	Auto detection of hard drive failure; hot-plug, hot-swap. User set rebuild rate.
Drive Rebuild Using Hot Spares	Automatic at drive failure; dedicated per array; global per array; auto-resume of initialization or rebuild on reboot
Error Checking and Indication	Parity generation and checking, automatic consistency checking; patrol reads; activity and fault LEDs
Power Conservation	Staggered spin-up, lower power requirements.

Electrical Characteristics

This section provides the power requirements for the RAID Controller SRCSASPH16I. Table 5 lists the maximum power requirements.

Table 5. Maxium Power Requirements

Storage Adapter	PCI Express* +12V	PCI Express* +3.3V
SRCSASPH16I	18.85W without battery charging; 21.85W with battery charging	5.96W

Thermal and Atmospheric Characteristics

Table 6. Environmental Specifications

Specification	Description
Operating temperature	0 degrees Centigrade to 55 degrees Centigrade. (The maximum operating temperature decreases to +45 degrees Centigrade when the Intel® Remote Smart Battery AXXRSBBU3 is installed)
Relative humidity range	5% to 90% noncondensing
Maximum dew point temperature	32 degrees Centigrade
Airflow	200 linear feet per minute (LFPM)
MTBF (electrical components)	346,879 hours at 40 degrees Celsius

Table 7. Storage and Transit Specifications

Specification	Description
Temperature range without battery	-30 degrees Centigrade to +80 degrees Centigrade (dry bulb)
Temperature range with battery	0 degrees Centigrade to 45 degrees Centigrade (dry bulb)
Relative humidity range	5% to 90 % noncondensing

Safety Characteristics

The RAID Controller SRCSASPH16I meets or exceeds the requirements of UL flammability rating 94 V0. Each bare board is also marked with the supplier name or trademark, type, and UL flammability rating. For the boards installed in a PCI Express* bus slot, all voltages are lower than the SELV 42.4 V limit.

The design and implementation minimizes electromagnetic emissions, susceptibility to radio frequency energy, and the effects of electrostatic discharge. The adapter carries the CE mark, C-tick mark, FCC self-certification logo, Canadian compliance statement, Korean MIC, Taiwan BSMI, and Japan VCCI. The adapter meets the requirements of CISPR Class B. Both the adapter and battery are CCSA C22.2, No. 60950-1, UL60950-1 First Edition listed accessory, UL filenumber E257743.

A Glossary of Terms and Abbreviations

BIOS	Basic Input/Output System. Software that provides basic read/write capability. Usually kept as firmware (ROM based). The system BIOS on a server board is used to boot and control the system. The BIOS on your host adapter acts as an extension of the system BIOS.
Configuration	The way a computer is setup; the combined hardware components (computer, monitor, keyboard, and peripheral devices) that make up a computer system, and the software settings that allow the hardware components to communicate with each other.
Device Driver	A program that allows a microprocessor (through the operating system) to direct the operation of a peripheral device.
Domain Validation	A software procedure in which a host queries a device to determine its ability to communicate at the negotiated data rate.
EEPROM	Electrically Erasable Programmable Read-Only Memory. A memory chip typically used to store configuration information. It provides stable storage for long periods without electricity and can be reprogrammed. See NVRAM.
External SAS Device	A SAS device installed outside the computer cabinet. These devices are connected together using specific types of shielded cables.
Host	The computer system in which a storage adapter is installed. It uses the storage adapter to transfer information to and from devices attached to the SCSI bus.
Host Adapter Board (HAB)	A circuit board or integrated circuit that provides a device connection to the computer system.
Internal SAS Device	A SAS device installed inside the computer cabinet. These devices are connected together using an unshielded ribbon cable.
Main Memory	The part of a computer's memory which is directly accessible by the CPU (usually synonymous with RAM).
NVRAM	Non-volatile Random Access Memory. An EEPROM (Electrically Erasable Read-Only Memory chip) used to store configuration information. See EEPROM.
Peripheral Devices	A piece of hardware (such as a video monitor, disk drive, printer, or CD-ROM) used with a computer and under the computer's control. SCSI peripherals are controlled through a SAS Intel® RAID Controller SRCSASPH16I.

SAS

Serial Attached SCSI. A serial, point-to-point, enterprise-level device interface that leverages the proven SCSI protocol set. The SAS interface provides improved performance, simplified cabling, smaller connections, lower pin count, and lower power requirements when compared to parallel SCSI. SAS controllers leverage a common electrical and physical connection interface that is compatible with Serial ATA. The SAS controllers support the ANSI *Serial Attached SCSI standard, version 1.0*. In addition, the controller supports the Serial ATA (SATA) protocol defined by the *Serial ATA specification, version 1.0a*. Each port on the SAS RAID controller supports SAS and SATA devices.

SAS Device

Any device that conforms to the SAS standard and is attached to the SAS bus by a SAS cable. This includes SAS storage adapters (host adapters) and SAS peripherals.

Free Manuals Download Website

<http://myh66.com>

<http://usermanuals.us>

<http://www.somanuals.com>

<http://www.4manuals.cc>

<http://www.manual-lib.com>

<http://www.404manual.com>

<http://www.luxmanual.com>

<http://aubethermostatmanual.com>

Golf course search by state

<http://golfingnear.com>

Email search by domain

<http://emailbydomain.com>

Auto manuals search

<http://auto.somanuals.com>

TV manuals search

<http://tv.somanuals.com>