



Intel[®] NetStructure[™] MPCHC5525 System Master Processor Board IPMI Reference Driver

User's Manual

May 2004

Order Number: 301561-001



INFORMATION IN THIS DOCUMENT IS PROVIDED IN CONNECTION WITH INTEL PRODUCTS. EXCEPT AS PROVIDED IN INTEL'S TERMS AND CONDITIONS OF SALE FOR SUCH PRODUCTS, INTEL ASSUMES NO LIABILITY WHATSOEVER, AND INTEL DISCLAIMS ANY EXPRESS OR IMPLIED WARRANTY RELATING TO SALE AND/OR USE OF INTEL PRODUCTS, INCLUDING LIABILITY OR WARRANTIES RELATING TO FITNESS FOR A PARTICULAR PURPOSE, MERCHANTABILITY, OR INFRINGEMENT OF ANY PATENT, COPYRIGHT, OR OTHER INTELLECTUAL PROPERTY RIGHT.

Intel Corporation may have patents or pending patent applications, trademarks, copyrights, or other intellectual property rights that relate to the presented subject matter. The furnishing of documents and other materials and information does not provide any license, express or implied, by estoppel or otherwise, to any such patents, trademarks, copyrights, or other intellectual property rights.

Intel products are not intended for use in medical, life saving, life sustaining, critical control or safety systems, or in nuclear facility applications.

Intel may make changes to specifications and product descriptions at any time, without notice.

Designers must not rely on the absence or characteristics of any features or instructions marked "reserved" or "undefined." Intel reserves these for future definition and shall have no responsibility whatsoever for conflicts or incompatibilities arising from future changes to them.

This User's Manual as well as the software described in it is furnished under license and may only be used or copied in accordance with the terms of the license. The information in this manual is furnished for informational use only, is subject to change without notice, and should not be construed as a commitment by Intel Corporation. Intel Corporation assumes no responsibility or liability for any errors or inaccuracies that may appear in this document or any software that may be provided in association with this document.

Except as permitted by such license, no part of this document may be reproduced, stored in a retrieval system, or transmitted in any form or by any means without the express written consent of Intel Corporation.

Contact your local Intel sales office or your distributor to obtain the latest specifications and before placing your product order.

Copies of documents which have an ordering number and are referenced in this document, or other Intel literature may be obtained by calling 1-800-548-4725 or by visiting Intel's website at <http://www.intel.com>.

AnyPoint, AppChoice, BoardWatch, BunnyPeople, CablePort, Celeron, Chips, CT Media, Dialogic, DM3, EtherExpress, ETOX, FlashFile, i386, i486, i960, iCOMP, InstantIP, Intel, Intel Centrino, Intel logo, Intel386, Intel486, Intel740, IntelDX2, IntelDX4, IntelSX2, Intel Create & Share, Intel GigaBlade, Intel InBusiness, Intel Inside, Intel Inside logo, Intel NetBurst, Intel NetMerge, Intel NetStructure, Intel Play, Intel Play logo, Intel SingleDriver, Intel SpeedStep, Intel StrataFlash, Intel TeamStation, Intel Xeon, Intel XScale, IPLink, Itanium, MCS, MMX, MMX logo, Optimizer logo, OverDrive, Paragon, PC Dads, PC Parents, PDCharm, Pentium, Pentium II Xeon, Pentium III Xeon, Performance at Your Command, RemoteExpress, SmartDie, Solutions960, Sound Mark, StorageExpress, The Computer Inside., The Journey Inside, TokenExpress, VoiceBrick, VTune, and Xircom are trademarks or registered trademarks of Intel Corporation or its subsidiaries in the United States and other countries.

*Other names and brands may be claimed as the property of others.

Copyright © 2004, Intel Corporation

Contents

1	Using This Guide	7
1.1	Terms and Definitions	7
1.2	Other Sources of Information.....	8
2	IBMU Functionality	9
2.1	Introduction	9
2.1.1	Purpose of IPMI	9
2.1.2	Who Gathers the Information?.....	9
2.1.3	Where Is IPMI-Relevant Information Stored?	10
2.1.4	Basic Communication Principles.....	11
2.1.4.1	Boards/Devices with IPMI Controller	11
2.1.4.2	Nonintelligent Devices	11
2.1.4.3	On-Board Temperature Sensor	11
2.1.5	Requirements	11
2.1.5.1	Boards/Devices with IPMI Controller and On-Board Sensors.....	11
2.1.5.2	Nonintelligent Devices	12
2.1.6	Available Drivers.....	13
2.2	How Does Communication Work?.....	13
2.2.1	Communication Within a Chassis	14
2.2.1.1	Devices with IPMI Controller	15
2.2.1.2	Nonintelligent Devices	15
2.2.1.3	On-Board Temperature Sensor	16
2.2.2	Communication between Chassis.....	16
3	Preparing Software for IPMI Usage	19
3.1	Action Plan.....	19
3.2	Notes on Writing Your Own IPMI Driver	19
3.3	Sensor Data Records	20
3.3.1	Obtaining SDR Settings.....	20
3.4	Notes on Writing System Management Software	20
3.4.1	Requirements for Events	20
3.4.2	Checking CPU Board Signals.....	21
3.4.2.1	Critical IRQ Status	21
3.4.2.2	CPCI Signal	21
3.4.2.3	Ejector Switch	21
3.4.2.4	POST Code.....	22
3.4.3	Monitoring the IBMU	22
3.4.3.1	Self Test.....	22
3.4.3.2	IPMI Controller Watchdog.....	22
4	Supported IPMI Commands and BMC/PM Addresses ²³	
4.1	Standard IPMI Commands	23
4.2	Global IPMI Commands.....	23
4.2.1	System Interface Commands	23
4.2.2	Watchdog Commands	23
4.2.3	SEL Commands.....	24

4.2.4	SDR Commands.....	24
4.2.5	FRU Inventory Device Commands	24
4.2.6	Sensor Device Commands.....	25
4.2.7	ICMB Bridge Commands	25
4.3	Force-Specific Commands	26
4.3.1	BMC/PMChangeRole	26
4.3.1.1	Request Data	26
4.3.1.2	Response Data	26
4.3.2	FlashFileSystemClear.....	27
4.3.2.1	Request Data	27
4.3.2.2	Response Data	27
4.3.3	GetGeographicalAddress	27
4.3.3.1	Request Data	27
4.3.3.2	Response Data	27
4.3.4	GetSDRRepositoryCRC	27
4.3.4.1	Request Data	28
4.3.4.2	Response Data	28
4.3.5	SetShadowRepositoryEnable	28
4.3.5.1	Request Data	28
4.3.5.2	Response Data	28
4.4	BMC and PM Addresses	28
5	Customer Support	31
5.1	Customer Support.....	31
5.2	Technical Support and Return for Service Assistance	31
5.3	Sales Assistance	31

Figures

1	Repositories of BMC and PMs	10
2	Required Parts for Communication with IPMI Devices and On-Board Sensors	12
3	Required Parts for Communication with Nonintelligent Devices	12
4	Buses/Interfaces Provided by the IBMU	13
5	Communication within a Chassis.....	14
6	Example for PM with IPMI Controller.....	15
7	Example for Nonintelligent Devices.....	16
8	Example: On-Board Sensor.....	16
9	Intelligent Chassis Management Bus (ICMB).....	17
10	Fan without IPMI Controller Monitored via ICMB	17
11	Example for Nonintelligent Device via ICMB	18

Tables

1	Terms and Definitions.....	7
2	Reference Documents.....	8
3	Data in Repositories	10
4	Optional Global IPMI Commands	23
5	Optional SEL Device Commands	24
6	Optional SDR Device Commands	24
7	Implemented Optional Sensor Device Commands.....	25
8	Implemented Optional ICMB Bridge Commands.....	25
9	Address Mapping.....	29

Revision History

Date	Revision	Description
May 2004	001	Initial Release of this manual.



Using This Guide

1

The Intel® NetStructure™ MPCHC5525 System Master Processor Board IPMI Reference Driver User’s Guide is intended for users qualified in electronics or electrical engineering. Users should have a working understanding of PCI, CompactPCI*, telecommunications, and the *IPMI Specification V1.0 Rev. 1.1*.

1.1 Terms and Definitions

Table 1. Terms and Definitions

Abbreviation	Description
BIB	Board Information Block
BMC	Base Board Management Controller
CMD	Command Code
CPU	Central Processing Unit
CRC	Cyclic Redundancy Code
ECC	Error Correction Code
FRU	Field Replaceable Unit
GPIO	General Purpose I/O
I ² C	Intelligent I/O Controller
IBMU	Intelligent Board Management Unit
ICMB	Intelligent Chassis Management Bus
IPMB	Intelligent Peripheral Management Bus
IPMI	Intelligent Platform Management Interface
IRQ	Interrupt Request
KCS	Keyboard Controller Style
LSB	Least Significant Byte
MSB	Most Significant Byte
NetFn	Network Function Code
NMI	Nonmaskable Interrupt
OEM	Original Equipment Manufacturer
PMC	Peripheral Management Controller
POST	Power-on Self Test
PSU	Power Supply Unit
RAM	Random Access Memory
RTB	Rear Transition Board

Table 1. Terms and Definitions

Abbreviation	Description
SDR	Sensor Data Record
SEL	System Event Log
SMI	System Management Interface

1.2 Other Sources of Information

Table 2. Reference Documents

Document	Can be found at
Intel® NetStructure™ MPCBL5525 System Master Processor Board Technical Product Specification	Intel order number 301070
Intelligent Platform Management Interface Specification v. 1.0 Rev. 1.1	www.intel.com/design/servers/ipmi/spec_old.htm
Platform Management FRU Information Storage Definition v1.0 Rev. 1.1	developer.intel.com
Intelligent Chassis Management Bus Bridge Specification v1.0 Rev. 1.2	www.intel.com/design/servers/ipmi/spec.htm
PICMG 2.9 R1.0 System Management Specification	www.picmg.com
Force Computers* PENT/CPCI-735/736 Family Reference Guide	www.forcecomputers.com

IBMU Functionality

2

2.1 Introduction

The Intelligent Board Management Unit (IBMU) equips the Intel® NetStructure™ MPCBL5525 board with Intelligent Platform Management Interface (IPMI) functionality as designed by Force Computers*. IPMI is used for platform management.

IPMI is completely independent of the software running on the CPU board; it remains operative even if the board software has crashed or the board is not powered. Due to this fact, IPMI is used to log system status information.

IPMI functionality on the IBMU is based on the Intelligent Platform Management Standards V1.0 Rev. 1.1. In addition, the following optional features applying to the IPMI standard are offered:

- Buses that allow internal and external communication
- Optional IPMI commands
- BMC standby mode

The features of the IBMU allow platform management with devices with and without IPMI controllers (nonintelligent devices). Both are handled differently in many aspects as explained in the next sections.

2.1.1 Purpose of IPMI

The purpose of IPMI is to gather information and control devices (e.g., fans). The types of information that can be gathered are:

- Inventory – Board type, manufacturer, serial number, board revision etc.
- Sensor – Temperature, fan speeds, power supply unit (PSU) voltages.

The system management software can use the gathered information to monitor system events and trigger actions, i.e. perform so called platform management.

2.1.2 Who Gathers the Information?

In a system there are, for example, several CPU boards and fans. Each of them has inventory data and sensors and can provide this inventory data and sensor data. To make communication within your system easier, your system management software communicates with the CPU boards and fans via one single IPMI controller on a CPU board. This IPMI controller will be the Base Board Management Controller (BMC) and the other IPMI controllers on CPU boards or fans will be Peripheral Management Controllers (PMs).

The BMC has a central function in gathering inventory and sensor-specific data, whereas the PMs only provide data. That is why only one BMC is allowed within one system chassis.

2.1.3 Where Is IPMI-Relevant Information Stored?

The following table shows which information is stored in which repository of a BMC/PM.

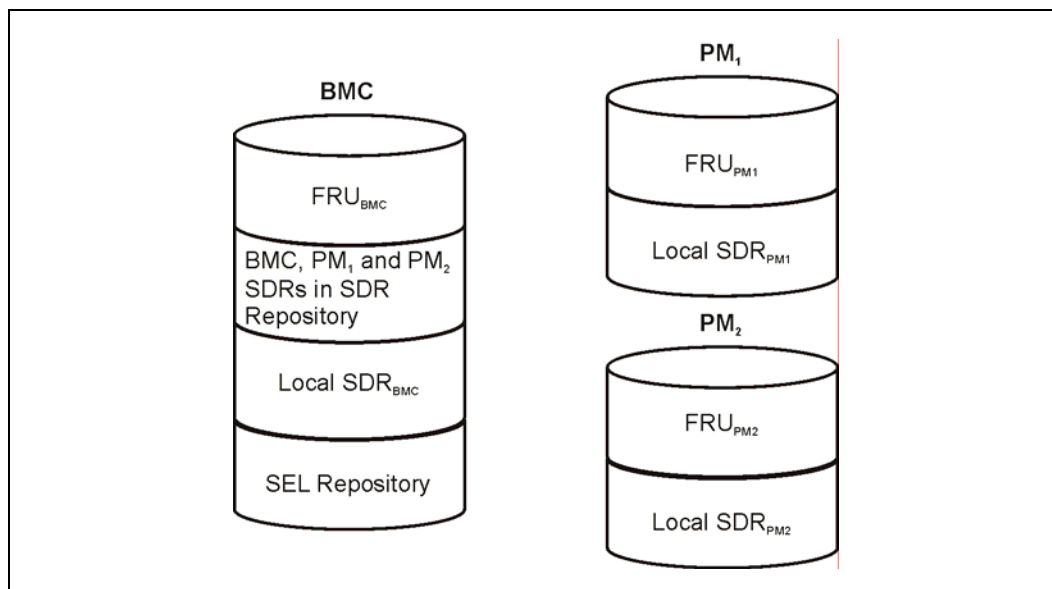
Table 3. Data in Repositories

Information	Repository	Available in
Inventory information on board or device: Manufacturer ID, product ID etc.	Field Replaceable Unit (FRU)	PM and BMC
Messages concerning events, such as abnormal voltages, out-of-range temperatures etc.	System Event Log (SEL)	BMC
Sensor data records (SDRs) of all sensors on a board. SDRs contain, for example, threshold values, conversion factors, and information on whether events are generated.	Local SDR	PM and BMC
SDRs of all sensors available in the entire system. At first, the SDR repository of the BMC is empty, and the SDRs of all PMs must be copied into the BMC's SDR repository (will be explained later).	SDR	BMC

The IBMU provides approximately 100 Kbytes of flash memory for each repository.

The following figure shows the repositories available in IPMI controllers operated as BMC or PM after the SDRs of the PMs were copied into the BMC's SDR repository. Nonintelligent devices provide none of the repositories.

Figure 1. Repositories of BMC and PMs



2.1.4 Basic Communication Principles

The system management software communicates with the devices via the BMC. It can communicate with:

- Boards/devices with IPMI controller
- Boards/devices without IPMI controller (nonintelligent devices)
- On-board sensors

The following sections describe the basic communication procedure between the system management software and the boards/devices given in the list above.

2.1.4.1 Boards/Devices with IPMI Controller

As seen in [Figure 1](#), the BMC contains SDRs of all sensors in the system. If the temperature threshold value is exceeded on a board set as PM, the PM sends an event message to the BMC. The system management software can then trigger actions, for example, to increase the fan speed.

2.1.4.2 Nonintelligent Devices

For nonintelligent devices, there are no SDRs in the SDR repository of the BMC. Since nonintelligent devices have no IPMI controller, they do not send event messages. For this reason, the system management software must regularly request sensor data (e.g., temperature) and check whether the value has exceeded the normal range.

2.1.4.3 On-Board Temperature Sensor

The on-board temperature sensor is connected to the IPMI controller; therefore, there is also an SDR for this sensor in the BMC's SDR repository. If, for example, the temperature threshold value is exceeded, the IPMI controller sends an event message to the BMC. The system management software can then trigger actions, for example, to increase the fan speed.

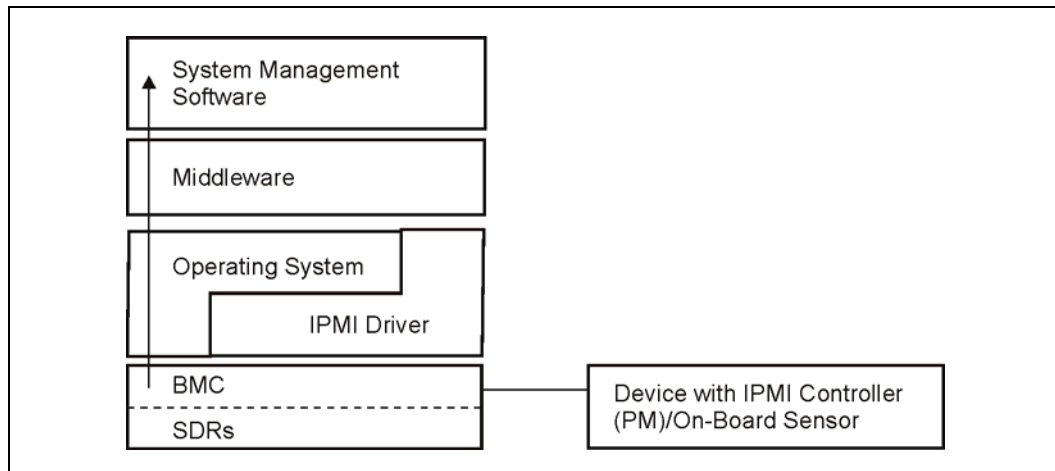
2.1.5 Requirements

2.1.5.1 Boards/Devices with IPMI Controller and On-Board Sensors

For communication between system management software and IPMI controller devices or on-board sensors, the following components are necessary:

- SDRs – For each sensor attached to an IPMI controller an SDR must be available
- IPMI driver for operating system
- Middleware
- System management software

Figure 2. Required Parts for Communication with IPMI Devices and On-Board Sensors

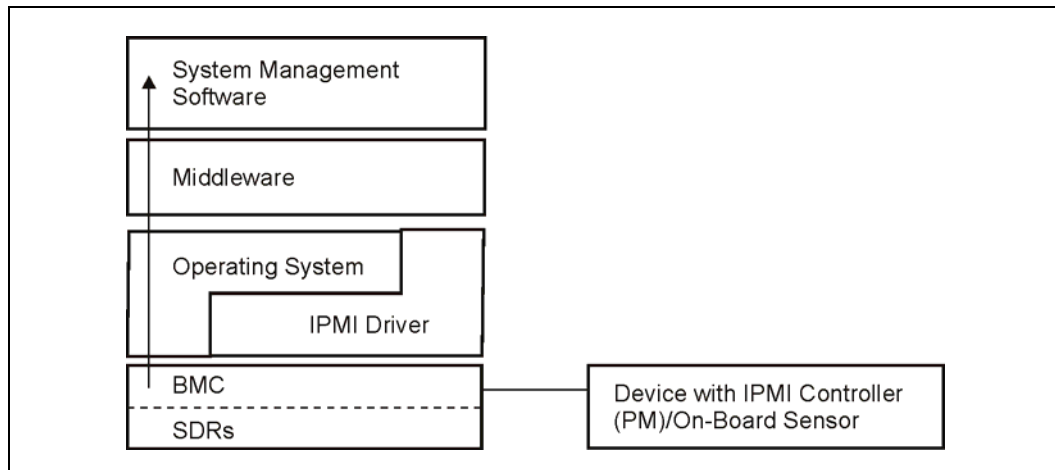


2.1.5.2 Nonintelligent Devices

For the communication between the system management software and nonintelligent devices the following components are necessary:

- IPMI driver for operating system
- Middleware
- System management software

Figure 3. Required Parts for Communication with Nonintelligent Devices



2.1.6 Available Drivers

IPMI drivers for the following operating systems are available:

- VxWorks*
- Windows 2000/NT*
- Solaris*
- Monta Vista Linux*

These drivers include an application programming interface (API) to use IPMI commands. Please see Appendix A for an API to use IPMI commands. Additional information regarding implementing this software is available by contacting Force Computers (www.forcecomputers.com).

2.2 How Does Communication Work?

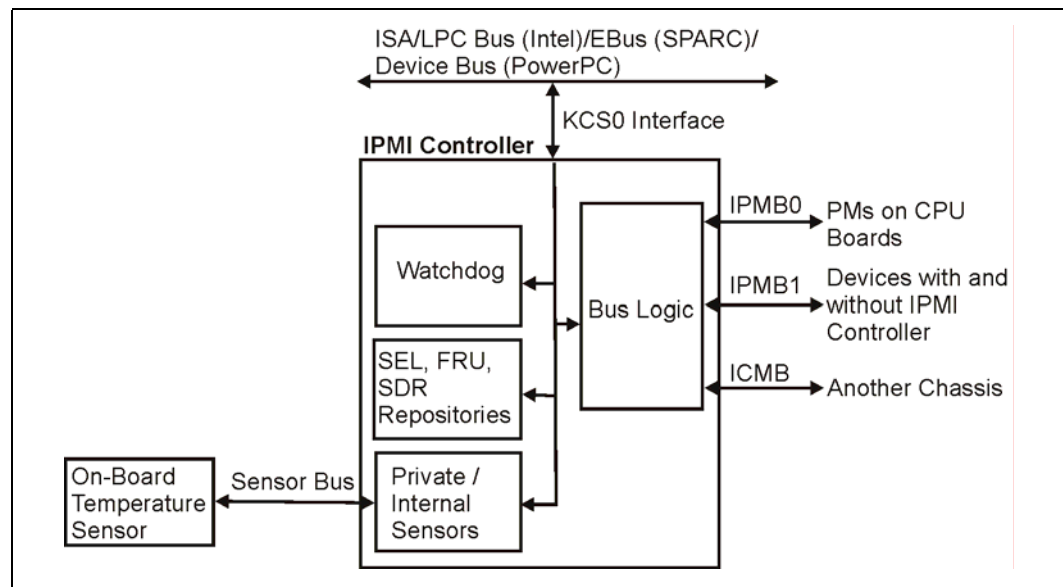
Communication in this case means sending IPMI commands and receiving a response. All standard IPMI commands are described in the IPMI Specification.

System management software can communicate with:

- Devices with IPMI controller
- Nonintelligent devices
- On-board sensors

Communication is realized via buses and/or interfaces.

Figure 4. Buses/Interfaces Provided by the IBMU



Whereas the Keyboard Controller Style (KCS0) interface and the Intelligent Peripheral Management Buses (IPMB) allow communication between components within one chassis, the KCS0 interface and ICMB connect the devices of one chassis with another chassis. The IPMB and ICMB buses are IBMU powered and will be available even if the CPU board is not powered.

Note: On some boards the sensors on the sensor bus are not powered by the IBMU. This means that if the power supply is interrupted, the sensor status at the time of power supply interruption is logged but the current sensor value cannot be read. The current sensor value can be read as soon as the board power is up again. For information on which sensor on the sensor bus is not powered by the IBMU, refer to the CPU board's TPS.

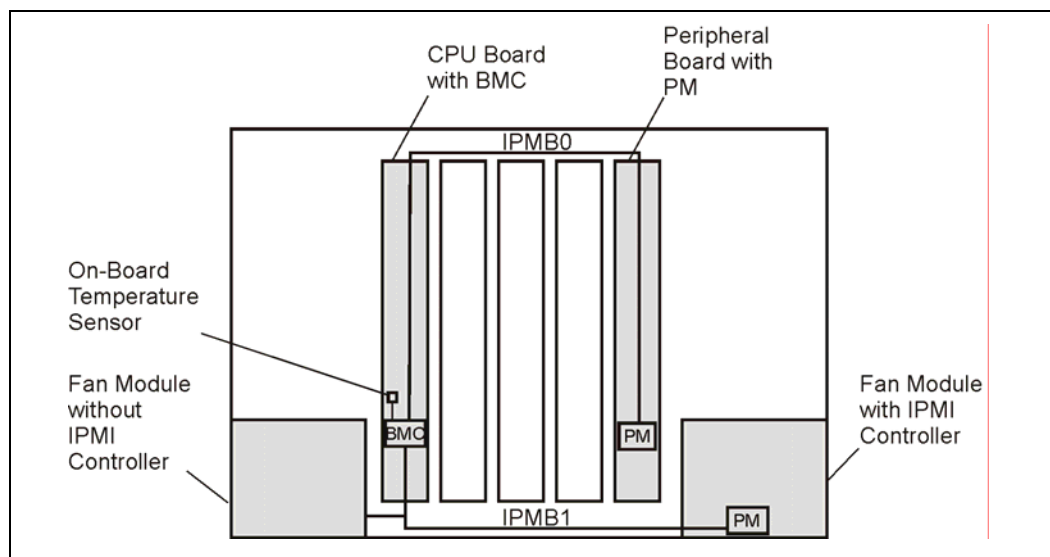
The following sections describe which device is connected to which bus and give simple examples for communication within a chassis and between two chassis.

2.2.1 Communication Within a Chassis

Communication within a chassis is possible via IPMB and the sensor bus which are both I²C-based buses. Force Computers IBMU offers an IPMB0 and IPMB1 bus. The purpose of each bus is as follows:

- **IPMB0** – Allows communication between BMC and IPMI controllers (PMs) on CPU boards.
- **IPMB1** – Allows communication between:
 - BMC and IPMI controller of PMs like PSUs, fan trays, etc.
 - BMC and devices in the system that are not equipped with an IPMI controller
- **Sensor bus** – A private bus that allows communication between the BMC and on-board temperature sensor

Figure 5. Communication within a Chassis



The devices are connected to the IPMB1 via the Intel[®] NetStructure™ MPRTM4848 Rear Transition Board for the respective CPU board. The IPMB1 signals are routed from the IPMI controller on the CPU board to the RTB via the backplane and are then available at an IPMB1 connector of the RTB. This IPMB1 connector is located on-board the RTBs.

Note: After installing or removing a board under hot-swap conditions, it is possible that nonintelligent devices will block the IPMB bus. Therefore:

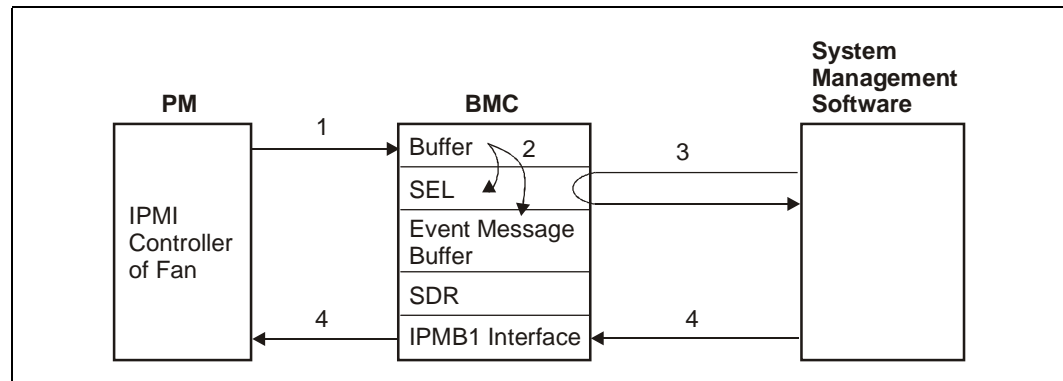
- If the device is powered by its own power supply, turn off the device, then turn it on again.
- If the device is powered by the system’s power supply, turn off the whole system, then turn on.

2.2.1.1 Devices with IPMI Controller

The following describes an easy event handling example for a fan module with IPMI controller. The IPMI controller on the CPU board is the BMC and the one on the fan module the PM.

1. PM sends an event message to the BMC via IPMB1 saying that the fan temperature has exceeded the threshold value defined in the SDR.
2. The BMC stores the message in the SEL repository and in an event message buffer.
3. The system management software regularly checks the SEL whether an event message was sent with the IPMI command “Read SEL Entry”.
4. When the system management software gets the event message it triggers an action according to the defined error handling procedure, i.e. increase fan speed via the BMC and fan register.

Figure 6. Example for PM with IPMI Controller



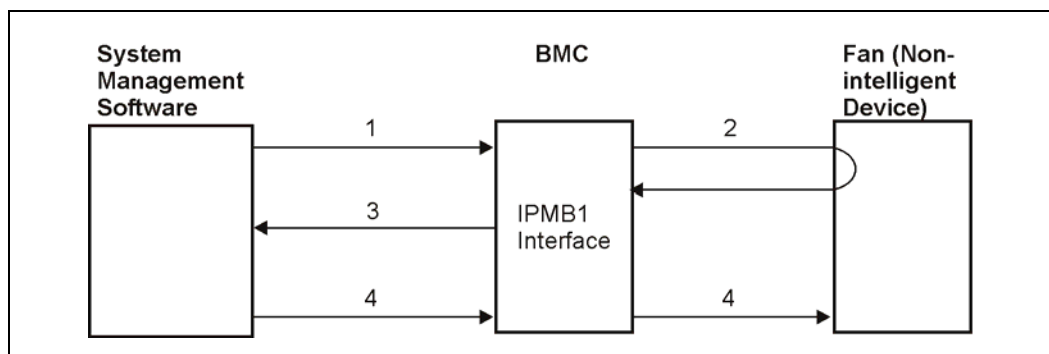
To make this possible the SDR of each sensor connected to an IPMI controller has to be written into the SDR repository of the BMC on the CPU board.

2.2.1.2 Nonintelligent Devices

Suppose another fan module does not have an IPMI controller. In this case, it cannot send event messages to the IPMI controller on the CPU board. Therefore, the system management software has to read the temperature of the fan module regularly using the IPMI command “Master Write-Read I²C” and control it accordingly.

1. The system management software sends the IPMI command “Master Write-Read I²C” to the BMC via IPMB1.
2. The BMC reads the temperature from the sensor on the fan.
3. The BMC forwards the temperature value to the system management software.
4. If the temperature is too high, the system management software can change the fan speed via the IPMI command “Master Write-Read I²C” and the fan speed register.

Figure 7. Example for Nonintelligent Devices

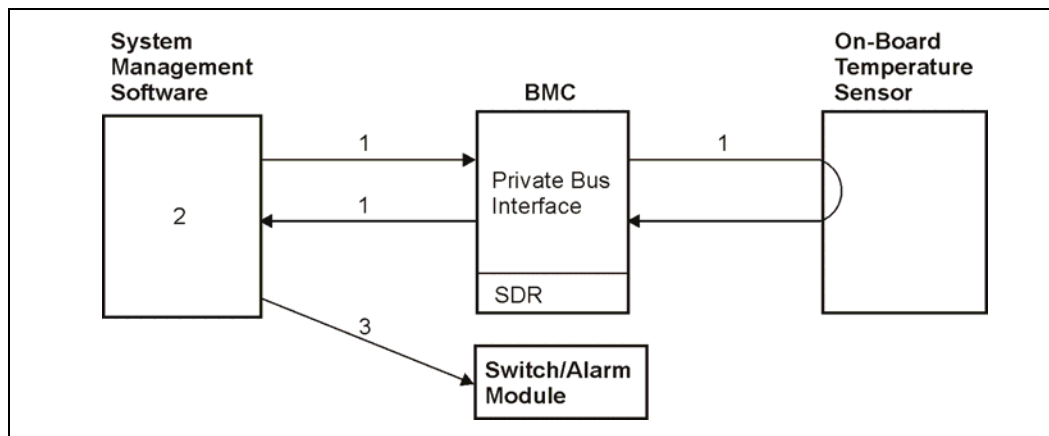


2.2.1.3 On-Board Temperature Sensor

To read out the actual temperature value from the on-board sensor, the procedure is as follows:

1. The system management software sends the IPMI command “Get Sensor Reading” to the BMC, the BMC reads the value from the on-board sensor and sends it to the system management software.
2. The system management software compares the read value with a threshold value.
3. If the temperature is too high, the system management software can, for example, initiate a switch board or an alarm module to switch off the board by deactivating the BD_SEL# signal.

Figure 8. Example: On-Board Sensor

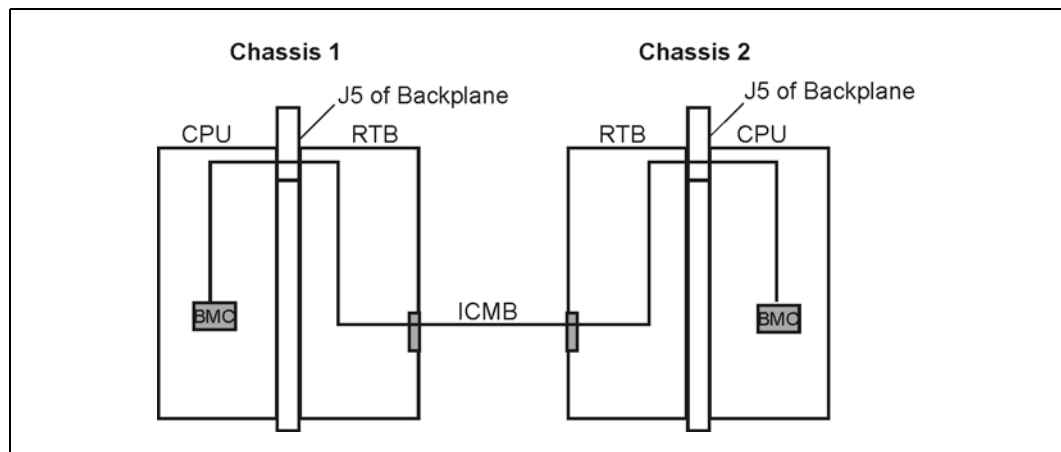


2.2.2 Communication between Chassis

Communication between several chassis is possible with the ICMB, which is an RS-485-based bus. It connects the BMCs of two or more chassis. You can connect up to 42 chassis, according to the *ICMB Specification v1.0 Rev. 1.2*. Refer to this specification for information on maximum cable length.

The chassis are connected via the CPU boards’ RTBs. The ICMB connector is typically located on the RTB’s front panel. See the *Intel® NetStructure™ MPRTM4808 Technical Product Specification* for further reference.

Figure 9. Intelligent Chassis Management Bus (ICMB)

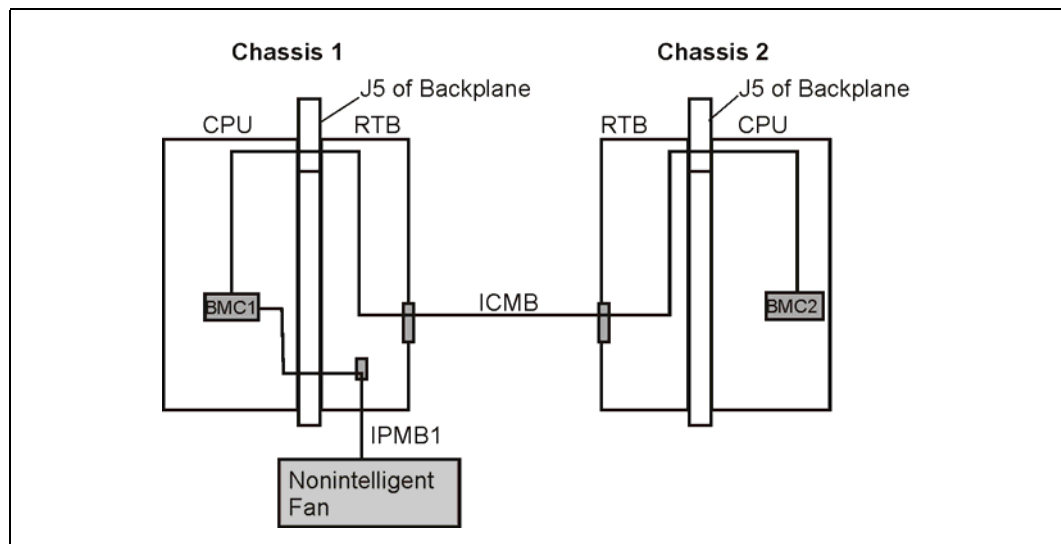


The connection via ICMB is useful for maintenance purposes. If, for example, the CPU board in one chassis hangs, the BMC in the other chassis can read the log file of the affected BMC via ICMB.

Another application is the monitoring and controlling of nonintelligent devices. If the CPU board the BMC is located on hangs or is in stand-by mode, the BMC in another chassis can request sensor data of the nonintelligent device via ICMB and the command “Master Write-Read I²C”.

The following section provides a simple communication example. The example supposes that a nonintelligent fan module located in chassis 1 and connected via IPMB1 to the BMC in chassis 1 (BMC1) is monitored and managed by the BMC in chassis 2 (BMC2).

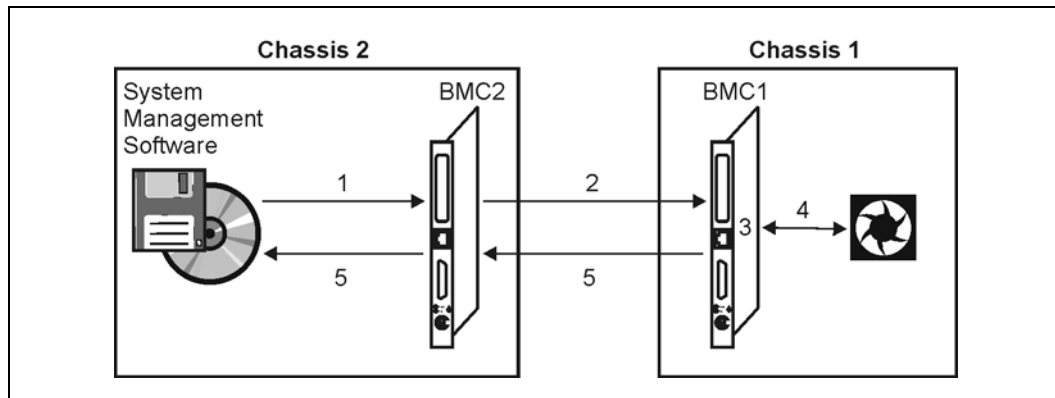
Figure 10. Fan without IPMI Controller Monitored via ICMB



The communication procedure is as follows:

1. The system management software residing on the CPU board in chassis 2 sends an ICMB message to the BMC2. This ICMB message contains the ICMB header information and the IPMI command “Master Write-Read I²C” with which the fan sensor data is requested.
2. The BMC2 sends the ICMB message to the BMC1 via ICMB.
3. BMC1 extracts the IPMI command “Master Write-Read I²C” from the ICMB message.
4. BMC1 reads the sensor temperature on the fan module via the command “Master Write-Read I²C” and sensor registers.
5. BMC1 adds an ICMB header to the sensor result and sends the ICMB message via ICMB and BMC2 to the system management software.

Figure 11. Example for Nonintelligent Device via ICMB

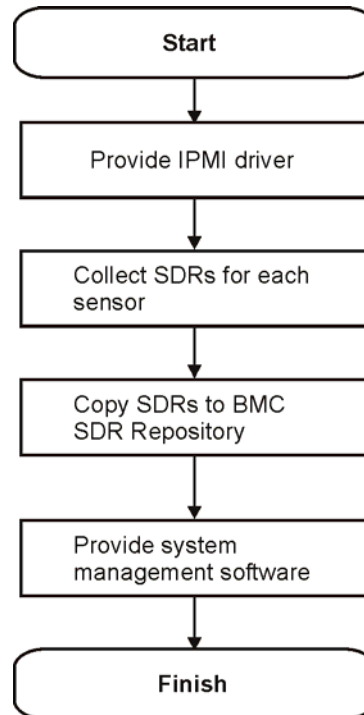


Preparing Software for IPMI Usage

3

3.1 Action Plan

Before being able to use IPMI the following steps are required and will be described in this chapter.



3.2 Notes on Writing Your Own IPMI Driver

The Intel® NetStructure™ MPCBL5525 offers IPMI drivers for several operating systems. For information about designing your own IPMI driver, refer to the *Intelligent Board Management Unit Reference Guide* (PN217328), available by contacting Force Computers.

The interface type used by the IBMU is the Keyboard Controller Style (KCS) interface. For the communication between the IPMI controller and the system management software, the KCS0 interface is used. There are also the KCS1 and KCS2 interfaces: KCS 1 can be used to enable ECC error logging in the SEL via the operating system, and KCS2 is used for the BIOS POST codes.

The KCS0 interface can be used in polled or in interrupt-driven mode. The default mode is polled, i.e. the application management software regularly reads the KCS0 register to find out whether data has arrived or the state has changed. Interrupt-driven mode means that the IPMI controller sets an interrupt in case data has arrived or the state has changed so that the IPMI driver is informed automatically.

3.3 Sensor Data Records

For each sensor attached to an IPMI controller in a system you need SDRs. SDRs for sensors on Force CPU boards are provided by Force Computers. SDRs for sensors on third-party products must be obtained by the respective manufacturer.

3.3.1 Obtaining SDR Settings

To obtain SDR settings (thresholds, whether thresholds can be changed, whether a sensor generates events etc.), the default way is to write a function using the IPMI command “Get Device SDR” via your operating system IPMI driver API. To obtain only the threshold values, the default way is to write a function using the IPMI command “Get Sensor Threshold” via your operating system IPMI driver API.

Note: On some boards, the thresholds for the board temperature sensor can be changed. For these boards, the upper and lower threshold values are by default set to the sensor’s minimum/maximum reading values so that events from the board temperature sensor are not likely to occur. To generate events, change the thresholds values. Keep in mind that the measured sensor value depends on the system’s components and their location. For information on where the board temperature is measured on your CPU board, refer to the CPU board’s TPS.

To obtain SDR information without having to write a function, go to <http://www.intel.com/design/servers/ipmi/tools.htm> for the Intel IPMI Tool. See the *IPMI Specification* for more information.

3.4 Notes on Writing System Management Software

For creating your own system management software you can use all IPMI commands marked as mandatory in the IPMI Specification. For information regarding Force-specific OEM IPMI commands, see the *Intelligent Board Management Unit Reference Guide* (PN217328) available by contacting Force Computers.

With your management software and Force-specific OEM IPMI commands, you:

- Can check status of board sensors (physical sensors such as temperature or voltage sensors and discrete sensors). In the following only the reading values of the discrete sensors are described.
- Can obtain IBMU self-test results.
- Have to check whether the IPMI controller watchdog has reset the IPMI firmware.

3.4.1 Requirements for Events

By default, the BMC only receives event messages from sensors attached to the BMC itself. To make PMs send event messages to the BMC, you need to define the event receiver, the BMC, via the IPMI command “Set Event Receiver”.

3.4.2 Checking CPU Board Signals

The IBMU is equipped with several discrete sensors used to check the assertion or deassertion of CPU board signals. After an assertion or deassertion of such a signal, the IPMI controller generates event messages. For further information on event messages, refer to tables 17-5 and 19-1 of the *IPMI Specification 1.0*.

Set as PM, the IPMI controller sends these messages to the BMC in the system. The BMC saves the messages in the SEL and in the event message buffer.

Note: In comparison to the event message buffer, the SEL keeps all events, even if the IPMI controller is turned off. Therefore, read the events from the SEL with the IPMI command “Get SEL Entry” and not from the event message buffer.

Set as BMC, the IPMI controller simply saves the event messages in the SEL and in the event message buffer.

The following subsections describe the discrete sensors that generate event messages which can be read by the system management software.

Note: Usually the sensor type is used to find out which sensor has sent an event and which signals were asserted. Since all sensors checking the CPU board signals are of the same sensor type, you have to use the sensor number to distinguish between the sensors.

3.4.2.1 Critical IRQ Status

This sensor reads the following signals which have IRQ capability:

- PCI_RESET
If asserted, signals that all devices attached to PCI buses are reset.
- NMI
- SMI
- IPMB1_ALERT
If asserted, signals that a sensor on IPMB1 has reached a critical status.

3.4.2.2 CPCI Signal

This sensor reads two PCI-relevant signals, CPCI_ENUM and CPCI_BD_SEL. CPCI_ENUM is asserted, if a board is about to be removed from the system. CPCI_BD_SEL is asserted, if a board was fully plugged into the system and is running.

3.4.2.3 Ejector Switch

This sensor reads the LOCAL_ENUM signal. It is asserted when the lower front panel handle on the board containing the IPMI module was opened.

3.4.2.4 POST Code

This sensor allows you to read the board's POST code with the IPMI command "Get Sensor Reading".

Note: This sensor does not generate event messages.

3.4.3 Monitoring the IBMU

The Intel NetStructure MPCBL5525 System Master Board provides the possibility for the system management software to obtain information on a possible IBMU problem source (missing SDRs, memory error, or inaccessible buses). Furthermore, the IBMU guarantees uninterrupted system operation because the IPMI controller watchdog resets the firmware if the firmware hangs.

3.4.3.1 Self Test

The IBMU provides a self test that is run every time it is restarted, i.e. after plugging in the board containing the IBMU or after a crash. The self test result can be read with the IPMI command "Get Self Test Results".

3.4.3.2 IPMI Controller Watchdog

The IPMI controller watchdog constantly monitors the IPMI firmware. If it detects a firmware crash, it automatically issues a reset of the IPMI controller. The board the IPMI controller is located on will NOT be reset.

If the BMC is reset and a PM sends a message to the BMC during this reset, the message is lost. Your system management software therefore must send the command "Re-arm Sensor Events" to the PM. Then this PM will send the event as long as the critical situation persists.

Note: If a PM is reset, your system management application must realize that a reset has occurred and initialize the IPMI controller. You need to take this into consideration when programming your system management application. Check e.g. the system time which is 0.00 after a reset.

Supported IPMI Commands and BMC/PM Addresses

4

4.1 Standard IPMI Commands

This section provides information on which IPMI commands are supported. All commands are uniquely identified by:

- Network function code (NetFn) – Specifies functional category of a command
- Command code (CMD) – Byte which specifies the operation

The IPMI Specification defines several software channels which allow communication. The channel number must always be included in Send Message commands (for further information refer to the IPMI Specification). IPMB0 is addressed via software channel 0 and IPMB1 via channel 1.

4.2 Global IPMI Commands

All commands in this category defined as mandatory by the IPMI Specification are implemented. In addition, the following optional commands are available.

Table 4. Optional Global IPMI Commands

Command	NetFn	CMD
Cold Reset	App	02 ₁₆
EnableMessageChannelReceive	App	32 ₁₆
GetDeviceGUID ¹	App	08 ₁₆
ReadEventMessageBuffer	App	35 ₁₆

1. Only available on boards produced after 03/01/2003. You can read the production date from the Product Info Area of the FRU repository.

All implemented commands can be used in every operation mode.

4.2.1 System Interface Commands

All commands in this category defined as mandatory by the IPMI specification are implemented. All commands can be used in every operation mode.

4.2.2 Watchdog Commands

All commands in this category defined as mandatory by the IPMI specification are implemented. All commands can be used in every operation mode.

4.2.3 SEL Commands

All commands in this category defined as mandatory by the IPMI specification are implemented. In addition, the following optional commands are available.

Note: SEL commands can only be used in BMC mode.

Table 5. Optional SEL Device Commands

Command	NetFn	CMD
Get SEL Allocation Info	Storage	41 ₁₆
Reserve SEL	Storage	42 ₁₆
Add SEL Entry	Storage	44 ₁₆
Partial Add SEL Entry	Storage	45 ₁₆
Delete SEL Entry	Storage	46 ₁₆

4.2.4 SDR Commands

All commands in this category defined as mandatory by the IPMI specification are implemented. In addition, the following optional commands are available.

Table 6. Optional SDR Device Commands

Command	NetFn	CMD
Get SDR Allocation Info	Storage	20 ₁₆
Add SDR	Storage	24 ₁₆
Partial Add SDR	Storage	25 ₁₆
Delete SDR	Storage	26 ₁₆
Get SDR Repository Time	Storage	28 ₁₆
Set SDR Repository Time	Storage	29 ₁₆

All commands can be used in every operation mode.

4.2.5 FRU Inventory Device Commands

All commands in this category defined as mandatory by the IPMI Specification are implemented. The commands can be used in every operation mode.

The FRU information returned by the IPMI command “Read FRU Inventory Data” is compatible with the *Platform Management FRU information Storage Definition v1.0*.

The size of the complete FRU record consisting of:

- Internal Use Area
- Board Info Area
- Product Info Area
- Multi Record Area

is limited to 1024 bytes.

4.2.6 Sensor Device Commands

All commands in this category defined as mandatory by the IPMI specification are implemented. In addition, the following optional commands are available.

Table 7. Implemented Optional Sensor Device Commands

Command	NetFn	CMD
Get Device SDR Info	S/E	20 ₁₆
Get Device SDR	S/E	21 ₁₆
Reserve Device SDR Repository	S/E	22 ₁₆
Get Sensor Reading Factors	S/E	23 ₁₆
Set Sensor Hysteresis	S/E	24 ₁₆
Get Sensor Hysteresis	S/E	25 ₁₆
Set Sensor Threshold	S/E	26 ₁₆
Get Sensor Threshold	S/E	27 ₁₆
Set Sensor Event Enable	S/E	28 ₁₆
Get Sensor Event Enable	S/E	29 ₁₆
Re-arm Sensor Events	S/E	2A ₁₆
Get Sensor Reading	S/E	2D ₁₆
Set Sensor Type	S/E	2E ₁₆
Get Sensor Type	S/E	2F ₁₆
Set Event Receiver	S/E	00 ₁₆
Get Event Receiver	S/E	01 ₁₆
Platform Event	S/E	02 ₁₆

All commands can be used in every operation mode.

4.2.7 ICMB Bridge Commands

All commands in this category defined as mandatory by the IPMI specification are implemented. In addition, the following optional commands are available.

Table 8. Implemented Optional ICMB Bridge Commands (Sheet 1 of 2)

Command	NetFn	CMD
Get Bridge State	Bridge	00 ₁₆
Set Bridge State	Bridge	01 ₁₆
Get ICMB Address	Bridge	02 ₁₆
Set ICMB Address	Bridge	03 ₁₆
Set Proxy Address	Bridge	04 ₁₆
Get Bridge Statistics	Bridge	05 ₁₆
Clear Bridge Statistics	Bridge	08 ₁₆
Get Proxy Address	Bridge	09 ₁₆

Table 8. Implemented Optional ICMB Bridge Commands (Sheet 2 of 2)

Command	NetFn	CMD
Get ICMB Connector Info	Bridge	0A ₁₆
Prepare for Discovery	Bridge	10 ₁₆
Get Addresses	Bridge	11 ₁₆
Set Discovered	Bridge	12 ₁₆
Bridge Request	Bridge	20 ₁₆
Bridge Message	Bridge	21 ₁₆
Get Bridge Event Count	Bridge	30 ₁₆
Set Event Destination	Bridge	31 ₁₆
Set Event Reception State	Bridge	32 ₁₆
Send ICMB Event Message	Bridge	33 ₁₆
Get Event Destination	Bridge	34 ₁₆
Get Event Reception State	Bridge	35 ₁₆

4.3 Force-Specific Commands

The Force Computers IPMI firmware supports several commands that are not defined in the IPMI specification but are introduced by Force Computers. For more information regarding Force-specific OEM IPMI implementations, see the *Intelligent Board Management Unit Reference Guide* (PN217328), available by contacting Force Computers.

4.3.1 BMC/PMChangeRole

This command is used to set the operation mode of the IPMI controller (BMC, PM or BMC stand-by). In BMC stand-by mode, a mode provided by Force Computers, the IPMI controller is PM but can manipulate the system event log (SEL) and sensor data repositories (SDR) like a BMC.

4.3.1.1 Request Data

Byte	Data Field
1	Role 0: BMC 1: BMC stand-by 2: PM

4.3.1.2 Response Data

Byte	Data Field
1	Completion Code

4.3.2 FlashFileSystemClear

This command is used to delete all the SDR, FRU and SEL repository and to update the FRU data.

4.3.2.1 Request Data

Byte	Data Field
-	-

4.3.2.2 Response Data

Byte	Data Field
1	Completion Code

4.3.3 GetGeographicalAddress

This command is used to obtain the geographical address of the slot into which the board with the IPMI controller is plugged in and the IPMI controller's I²C address. This command can be used in every operation mode.

4.3.3.1 Request Data

None

4.3.3.2 Response Data

Byte	Data Field
1	Completion Code
2	Geographical address
3	I ² C address of the IPMI controller on the IPMB(s) bus(es) in its current role
4	I ² C address of the IPMI controller on the IPMB(s) bus(es) in PM role

If the IPMI controller acts as PM or BMC stand-by, the values in bytes 3 and 4 are equal. If the IPMI controller acts as BMC, the value in byte 3 is 20₁₆ and the value in byte 4 is the I²C address the BMC would have if he acts as PM.

4.3.4 GetSDRRepositoryCRC

This command is used to obtain the Cyclic Redundancy Code (CRC) of the SDR repository. It can be used in high-availability configurations to verify that the SDR repository of the IPMI controller in BMC active mode and that of the IPMI controller in BMC stand-by mode are identical.

This command can be used in every operation mode.

4.3.4.1 Request Data

Byte	Data Field
-	-

4.3.4.2 Response Data

Byte	Data Field
1	Completion Code
2	Record count LSB
3	Record count MSB
4	CRC16 LSB
5	CRC16 MSB

4.3.5 SetShadowRepositoryEnable

This command is used to enable or disable the access to the shadow repository of an IPMI controller in BMC stand-by mode.

Note: This command can only be used if IPMI controller is in BMC stand-by mode. If the IPMI controller is not in BMC stand-by mode, “invalid command” is returned.

4.3.5.1 Request Data

Byte	Data Field
1	Access 0: Disabled 1: Enabled

4.3.5.2 Response Data

Byte	Data Field
1	Completion Code

4.4 BMC and PM Addresses

To be able to send messages to other IPMI controllers (PMs) with your system management software, you need the IPMI controller’s I²C address.

If the IPMI controller acts as BMC, the I²C address is 20₁₆.

If the IPMI controller is set to PM, it depends on the geographical address of the board in the system. Refer to the system’s backplane description to find the geographical addresses or use the Force-specific IPMI command GetGeographicalAddress. The mapping of geographical and I²C

addresses is defined in the PICMG 2.9 Specification and is also shown in the table that follows. The IPMI controller of a board which has the geographical address 4 in a system, for example, can be addressed via I²C address B6₁₆.

Table 9. Address Mapping

Geographical Address	I ² C Address
0	Disabled
1	B0 ₁₆
2	B2 ₁₆
3	B4 ₁₆
4	B6 ₁₆
5	B8 ₁₆
6	BA ₁₆
7	BC ₁₆
8	BE ₁₆
9	C0 ₁₆
10	C4 ₁₆
11	C6 ₁₆
12	C8 ₁₆
13	CA ₁₆
14	CC ₁₆
15	CE ₁₆
16	D0 ₁₆
17	D2 ₁₆
18	D4 ₁₆
19	D6 ₁₆
20	D8 ₁₆
21	DA ₁₆
22	DC ₁₆
23	DE ₁₆
24	E0 ₁₆
25	E2 ₁₆
26	E4 ₁₆
27	E6 ₁₆
28	E8 ₁₆
29	EA ₁₆
30	EC ₁₆
31	Disabled



Customer Support

5

5.1 Customer Support

This chapter offers technical and sales assistance information for this product. Information on returning an Intel® NetStructure™ product for service is in the following chapter.

5.2 Technical Support and Return for Service Assistance

For all product returns and support issues, please contact your Intel product distributor or Intel Sales Representative for specific information.

5.3 Sales Assistance

If you have a sales question, please contact your local Intel NetStructure Sales Representative or the Regional Sales Office for your area. Address, telephone and fax numbers, and additional information is available at Intel's website located at:

<http://www.intel.com/network/csp/sales/>

Intel Corporation
Telephone (in U.S.) 1-800-755-4444
Telephone (Outside U.S.) 1-973-993-3030
FAX 1-973-967-8780



Free Manuals Download Website

<http://myh66.com>

<http://usermanuals.us>

<http://www.somanuals.com>

<http://www.4manuals.cc>

<http://www.manual-lib.com>

<http://www.404manual.com>

<http://www.luxmanual.com>

<http://aubethermostatmanual.com>

Golf course search by state

<http://golfingnear.com>

Email search by domain

<http://emailbydomain.com>

Auto manuals search

<http://auto.somanuals.com>

TV manuals search

<http://tv.somanuals.com>