



Intel[®] IQ80333 I/O Processor

Customer Reference Board Manual

February 2005

Intel Part Number: C90183-001

Document Number: 306690001US

INFORMATION IN THIS DOCUMENT IS PROVIDED IN CONNECTION WITH INTEL® PRODUCTS. NO LICENSE, EXPRESS OR IMPLIED, BY ESTOPPEL OR OTHERWISE, TO ANY INTELLECTUAL PROPERTY RIGHTS IS GRANTED BY THIS DOCUMENT. EXCEPT AS PROVIDED IN INTEL'S TERMS AND CONDITIONS OF SALE FOR SUCH PRODUCTS, INTEL ASSUMES NO LIABILITY WHATSOEVER, AND INTEL DISCLAIMS ANY EXPRESS OR IMPLIED WARRANTY, RELATING TO SALE AND/OR USE OF INTEL PRODUCTS INCLUDING LIABILITY OR WARRANTIES RELATING TO FITNESS FOR A PARTICULAR PURPOSE, MERCHANTABILITY, OR INFRINGEMENT OF ANY PATENT, COPYRIGHT OR OTHER INTELLECTUAL PROPERTY RIGHT.

Intel products are not intended for use in medical, life saving, life sustaining applications.

Intel may make changes to specifications and product descriptions at any time, without notice.

Designers must not rely on the absence or characteristics of any features or instructions marked "reserved" or "undefined." Intel reserves these for future definition and shall have no responsibility whatsoever for conflicts or incompatibilities arising from future changes to them.

Intel® internal code names are subject to change.

THIS SPECIFICATION, THE [Intel® IQ80333 I/O Processor](#) IS PROVIDED "AS IS" WITH NO WARRANTIES WHATSOEVER, INCLUDING ANY WARRANTY OF MERCHANTABILITY, NONINFRINGEMENT, FITNESS FOR ANY PARTICULAR PURPOSE, OR ANY WARRANTY OTHERWISE ARISING OUT OF ANY PROPOSAL, SPECIFICATION OR SAMPLE.

Intel disclaims all liability, including liability for infringement of any proprietary rights, relating to use of information in this specification. No license, express or implied, by estoppel or otherwise, to any intellectual property rights is granted herein.

Copyright © Intel Corporation, 2005

AlertVIEW, i960, AnyPoint, AppChoice, BoardWatch, BunnyPeople, CablePort, Celeron, Chips, Commerce Cart, CT Connect, CT Media, Dialogic, DM3, EtherExpress, ETOX, FlashFile, GatherRound, i386, i486, iCat, iCOMP, Insight960, InstantIP, Intel, Intel logo, Intel386, Intel486, Intel740, IntelDX2, IntelDX4, IntelSX2, Intel ChatPad, Intel Create&Share, Intel Dot.Station, Intel GigaBlade, Intel InBusiness, Intel Inside, Intel Inside logo, Intel NetBurst, Intel NetStructure, Intel Play, Intel Play logo, Intel Pocket Concert, Intel SingleDriver, Intel SpeedStep, Intel StrataFlash, Intel TeamStation, Intel WebOutfitter, Intel Xeon, Intel XScale, Itanium, JobAnalyst, LANDesk, LanRover, MCS, MMX, MMX logo, NetPort, NetportExpress, Optimizer logo, OverDrive, Paragon, PC Dads, PC Parents, Pentium, Pentium II Xeon, Pentium III Xeon, Performance at Your Command, ProShare, RemoteExpress, Screamlane, Shiva, SmartDie, Solutions960, Sound Mark, StorageExpress, The Computer Inside, The Journey Inside, This Way In, TokenExpress, Trillium, Vivonic, and VTune are trademarks or registered trademarks of Intel Corporation or its subsidiaries in the United States and other countries.

The ARM® and ARM Powered logo marks (the ARM marks) are trademarks of ARM, Ltd., and Intel uses these marks under license from ARM, Ltd.

*Other names and brands may be claimed as the property of others.

Contents

1	Introduction	9
1.1	Document Purpose and Scope.....	9
1.2	Other Related Documents	9
1.3	Electronic Information	10
1.4	Component References.....	10
1.5	Terms and Definitions.....	11
1.6	Intel® 80333 I/O Processor.....	12
1.7	Intel® IQ80333 I/O Processor Evaluation Platform Board Features	14
2	Getting Started	15
2.1	Kit Content.....	15
2.2	Hardware Installation.....	15
2.2.1	First-Time Installation and Test.....	15
2.2.2	Power Requirements	16
2.3	Factory Settings.....	17
2.4	Development Strategy	17
2.4.1	Supported Tool Buckets	17
2.4.2	Contents of the Flash.....	17
2.5	Target Monitors.....	18
2.5.1	RedHat RedBoot.....	18
2.6	Host Communications Examples.....	19
2.6.1	Serial-UART Communication.....	19
2.6.2	JTAG Debug Communication	19
2.6.3	Network Communication.....	20
2.6.4	GNUPro GDB/Insight.....	21
2.6.4.1	Communicating with RedBoot.....	21
2.6.4.2	Connecting with GDB.....	23
3	Hardware Reference Section	25
3.1	Functional Diagram.....	25
3.2	Board Form-Factor/Connectivity.....	26
3.3	Power.....	27
3.4	Memory Subsystem	28
3.4.1	DDR SDRAM	28
3.4.1.1	Battery Backup.....	28
3.4.2	Flash Memory Requirements.....	29
3.5	Interrupt Routing.....	30
3.6	Intel® IQ80333 I/O Processor Evaluation Platform Board Peripheral Bus.....	31
3.6.1	Flash ROM.....	32
3.6.2	UART	33
3.6.3	Non-Volatile RAM	33
3.6.4	Audio Buzzer	33
3.6.5	HEX Display.....	33
3.6.6	Rotary Switch.....	33
3.6.7	Battery Status	34
3.7	Debug Interface	35

3.7.1	Console Serial Port.....	35
3.7.2	JTAG Debug.....	36
3.7.2.1	JTAG Port.....	36
3.8	Board Reset Scheme.....	37
3.9	Switches and Jumpers.....	38
3.9.1	Switch Summary.....	38
3.9.2	Default Switch Settings of S7A1- Visual.....	38
3.9.3	Jumper Summary.....	39
3.9.4	Connector Summary.....	39
3.9.5	General Purpose Input/Output Header.....	39
3.9.6	Detail Descriptions of Switches/Jumpers.....	40
3.9.6.1	Switch S1C2: Intel® 80333 I/O Processor Reset.....	40
3.9.6.2	Switch S6A1: BPCI-X Reset.....	40
3.9.6.3	Switch S8A1: Rotary.....	40
3.9.6.4	Switch S7A1.....	40
3.9.6.4.1	S7A1-1: PCI-X Bus A Speed Enable Corresponding to Signal Name PBI_AD3.....	40
3.9.6.4.2	S7A1-2: Reset I/O Processor Core Corresponding to Signal Name PBI_AD5.....	40
3.9.6.4.3	S7A1-3: Configuration Cycle Enable Corresponding to Signal Name PBI_AD6.....	41
3.9.6.4.4	S7A1-4: PCI-X Bus B Speed Enable Corresponding to Signal Name PBI_AD10.....	41
3.9.6.4.5	S7A1-5: PCI-X Bus B Hot-Plug Reset Disable Corresponding to Signal Name PBI_AD11.....	41
3.9.6.4.6	Switch S7A1- 6: Hot Plug Capable Disabled Corresponding to Signal Name PBI_AD15.....	41
3.9.6.4.7	Switch S7A1 - 7: SMBUS Manageability Address Bit 0 Corresponding to Signal Name PBI_AD17.....	42
3.9.6.4.8	Switch S7A1 - 8: SMBUS Manageability Address Bit 3 Corresponding to Signal Name PBI_AD18.....	42
3.9.6.4.9	Switch S7A1- 9:SMBUS Manageability Address Bit 2 Corresponding to Signal Name PBI_AD17.....	42
3.9.6.4.10	Switch S7A1- 10: SMBUS Manageability Address Bit 1 Corresponding to Signal Name PBI_AD16.....	42
3.9.6.5	Jumper J7D1: Flash bit-width.....	43
3.9.6.6	Jumper J1C1: JTAG Chain.....	43
3.9.6.7	Jumper J1D2: UART Control.....	43
3.9.6.8	Jumper J7B4: SMBus Header.....	44
3.9.6.9	Jumper J9D3: Buzzer Volume Control.....	44
4	Software Reference.....	45
4.1	DRAM.....	45
4.2	Components on the Peripheral Bus.....	45
4.2.1	Flash ROM.....	46
4.2.2	Peripheral Bus Memory Map.....	47
4.3	Board Support Package (BSP) Examples.....	48
4.3.1	Intel® 80333 I/O Processor Memory Map.....	48
4.3.2	RedBoot* Intel® 80333 I/O Processor Memory Map.....	49
4.3.3	RedBoot Intel® 80333 I/O Processor Files.....	49
4.3.4	RedBoot Intel® 80332 I/O Processor DDR Memory Initialization Sequence.....	50

A	IQ80321 and IQ80333 Comparisons	51
B	Getting Started and Debugger	53
B.1	Introduction	53
B.1.1	Purpose	53
B.1.2	Necessary Hardware and Software	53
B.1.3	Related Documents	53
B.1.4	Related Web Sites	54
B.2	Setup	55
B.2.1	Hardware Setup.....	55
B.2.2	Software Setup	56
B.3	New Project Setup	57
B.3.1	Creating a New Project	57
B.3.2	Configuration	58
B.4	Flashing with JTAG.....	59
B.4.1	Overview	59
B.4.2	Using Flash Programmer.....	60
B.5	Debugging Out of Flash	61
B.6	Building an Executable File From Example Code	61
B.7	Running the Code Lab Debugger	62
B.7.1	Launching and Configuring Debugger	62
B.7.2	Manually Loading and Executing an Application Program.....	62
B.7.3	Displaying Source Code	63
B.7.4	Using Breakpoints.....	63
B.7.5	Stepping Through the Code.....	64
B.7.6	Setting Code Lab Debug Options	64
B.8	Exploring the Code Lab Debug Windows	65
B.8.1	Toolbar Icons	65
B.8.2	Workspace Window	65
B.8.3	Source Code	65
B.8.4	4 Debug and Console Windows	65
B.8.5	Memory Window	65
B.8.6	Registers Window	66
B.8.7	Watch Window	66
B.8.8	Variables Window	66
B.9	Debugging Basics.....	67
B.9.1	Overview	67
B.9.2	Hardware and Software Breakpoints	67
B.9.2.1	Software Breakpoints	67
B.9.2.2	Hardware Breakpoints	67
B.9.3	Exceptions/Trapping	68

Figures

1	Intel® 80333 I/O Processor Block Diagram	13
2	Serial-UART Communication	19
3	JTAG Debug Communication	19
4	Network Communication Example	20
5	Intel® 80333 I/O Processor Functional Block Diagram	25
6	Board Form Factor	26
7	Intel® IQ80333 I/O Processor Evaluation Platform Board Peripheral Bus Topology	31
8	Flash Connection on Peripheral Bus	32
9	JTAG Port Pin-out	36
10	RESET Sources	37
11	Default Switch Setting Switch S7A1	38
12	Flash Connection to Peripheral Bus	46
13	Intel® 80333 I/O Processor Memory Map	48
14	Intel® 80333 I/O Processor Hardware Setup Flow Chart	55
15	Software Flow Diagram	56

Tables

1	Intel® 80333 I/O Processor Related Documentation List.....	9
2	Electronic Information.....	10
3	Component Reference.....	10
4	Terms and Definitions.....	11
5	Summary of Features	14
6	Form-Factor/Connectivity Features	26
7	Power Features	27
8	Flash Memory Requirements.....	29
9	External Interrupt Routing to Intel® 80333 I/O Processor.....	30
10	Peripheral Bus Features	31
11	Flash ROM Features	32
12	Rotary Switch Requirements	33
13	Battery Status Buffer Requirements	34
14	Reset Requirements/Schemes.....	37
15	Switch Summary.....	38
16	Switch S7A1	38
17	Jumper Summary	39
18	Connector Summary.....	39
19	J2D2 GPIO Header Definition.....	39
20	Rotary Switch Settings.....	40
21	S7A1-1: PCI-X Bus A Speed Enable	40
22	Switch S7A1-2: Reset IOP: Settings and Operation Mode.....	41
23	Switch S7A1-3: RETRY: Settings and Operation Mode	41
24	S7A1-4: PCI-X Bus B Speed Enable: Settings and Operation Mode	41
25	S7A1-5: PCI-X Bus B Hot-Plug Reset Disable: Settings and Operation Mode	41
26	Switch S7A1- 6: Hot Plug Capable Disabled: Settings and Operation Mode	41
27	Switch S7A1 - 7: SMBUS Manageability Address Bit 0: Settings and Operation Mode	42
28	Switch S7A1 - 8: SMBUS Manageability Address Bit 3: Settings and Operation Mode	42
29	Switch S7A1 - 9: SMBUS Manageability Address Bit 2: Settings and Operation Mode	42
30	Switch S7A1 - 10: SMBUS Slave Address 0: Settings and Operation Mode	42
31	Jumper J7D1: Descriptions.....	43
32	Jumper J7D1: Settings and Operation Mode.....	43
33	Jumper J1C1: Descriptions.....	43
34	Jumper J1C1: Settings and Operation Mode.....	43
35	Jumper J1D2: Descriptions.....	43
36	Jumper J1D2: Settings and Operation Mode.....	43
37	Jumper J7B4: Descriptions.....	44
38	Jumper J7B4: Settings and Operation Mode.....	44
39	Jumper J9D3: Descriptions.....	44
40	Jumper J9D3: Settings and Operation Mode.....	44
41	Peripheral Bus Memory Map	47
42	Intel® IQ80321 Evaluation Platform Board and Intel® IQ80333 I/O Processor Evaluation Platform Board Comparisons	51
43	Related Documents	53



Revision History

Date	Revision	Description
March 2005	001	Initial Intel® Developer Web Site Release (http://developer.intel.com/design/iio).

1.1 Document Purpose and Scope

This document describes the Intel® IQ80333 I/O processor evaluation platform board (IQ80333) using DDR-II 400 MHz SDRAM. The Intel® 80333 I/O processor (80333) is intended for rapid, intelligent I/O development. The 80333 is a multi-function device that integrates the Intel XScale® core (ARM* architecture compliant) with intelligent peripherals including a PCI Express bus application bridge.

1.2 Other Related Documents

Table 1. Intel® 80333 I/O Processor Related Documentation List

Document	Number
<i>Intel® 80333 I/O Processor Developer's Manual</i>	305432
<i>Intel® 80333 I/O Processor Datasheet</i>	305433
<i>Intel® 80333 I/O Processor Design Guide</i>	305434
<i>Intel® 80333 I/O Processor Specification Update</i>	305435
<i>Intel® Flash Recovery Utility (FRU) Reference Manual</i>	274071
<i>IEEE Standard Test Access Port and Boundary-Scan Architecture (IEEE JTAG-1149.1-1990)</i>	http://www.ieee.org
<i>PCI Local Bus Specification, Revision 2.3</i> - PCI Special Interest Group <i>PCI Express Specification, Revision 1.0a</i> - PCI Special Interest Group <i>PCI Express Base Specification 1.0a</i> - PCI Special Interest Group <i>PCI Express Card Electromechanical Specification 1.0a</i> - PCI Special Interest Group <i>PCI Local Bus Specification, Revision 2.3</i> - PCI Special Interest Group <i>PCI-X Specification, Revision 1.0b</i> - PCI Special Interest Group <i>PCI Bus Power Management Interface Specification, Revision 1.1</i> - PCI Special Interest Group <i>PCI Bus Hot-Plug Specification, Revision 1.1</i> - PCI Special Interest Group	http://www.pcisig.com/specifications

Intel documentation is available from the local Intel Sales Representative or Intel Literature Sales.

To obtain Intel literature write to or call:

Intel Corporation
 Literature Sales
 P.O. Box 5937
 Denver, CO 80217-9808
 (1-800-548-4725) or visit the Intel website at <http://www.intel.com>

1.3 Electronic Information

Table 2. Electronic Information

Support Type	Location/Contact
The Intel World-Wide Web (WWW) Location:	http://www.intel.com
Customer Support (US and Canada):	1-916-377-7000

1.4 Component References

Table 3 provides additional information on the major components of 80333.

Table 3. Component Reference

Component	Part Number	Additional Information
Intel StrataFlash® Memory	28F640J3C	<ul style="list-style-type: none"> Manufacturer: Intel Corporation URL: http://developer.intel.com/design/flcomp/prodbref/298044.htm
Intel(R) Gigabit Ethernet Controller	82545EM	<ul style="list-style-type: none"> Manufacturer: Intel Corporation URL: http://developer.intel.com/design/network/products/lan/controllers/82545.htm
Rotary Switch	DR FC 16	<ul style="list-style-type: none"> Manufacturer: Grayhill* URL: http://embrace.grayhill.com/embrace/Item/ASP/Item-Detail.asp?PartNo=94HAB16W&CatalogGroupID=Series94HBinaryCoded&GroupDisplayLabel=&RestSes=No
Hex Display	HDSP-A103	<ul style="list-style-type: none"> Manufacturer: Agilent Technologies* URL: http://www.semiconductor.agilent.com/cgi-bin/morpheus/home/home.jsp?pSection=LED
AudioBuzzer	DMT 1206 SMT	<ul style="list-style-type: none"> Manufacturer: RDI* URL: http://www.rdi-electronics.com/products/Audio/DMT-1206-SMT.html
NVSRAM	STK14C88-3 N 35	<ul style="list-style-type: none"> Manufacturer: SIMTEK* URL: http://www.simtek.com/product-information/datasheets/256K-PDF/STK14C88-3.pdf
CPLD	XC9572XL - 10TQ100C	<ul style="list-style-type: none"> Manufacturer: XILINK* URL: http://www.xilinx.com/bvdocs/publications/ds057.pdf
Temperature Sensor	LM75CIMX-3	<ul style="list-style-type: none"> Manufacturer: National* URL: http://www.national.com/pf/LM/LM75.html
Programmable Reset IC	MAX6306UK 29D3	<ul style="list-style-type: none"> Manufacturer: Maxim* URL: http://www.maxim-ic.com/quick_view2.cfm?qv_pk/1524
Registered Buffer	IDT74SSTU3 2864BF	<ul style="list-style-type: none"> Manufacturer: IDT* (Integrated Device Technology) URL: http://www1.idt.com/pcms/products.taf?catID=97&genID=74SSTU32864
Programmable PLL	IDTCSPU877 BV	<ul style="list-style-type: none"> Manufacturer: IDT* (Integrated Device Technology) URL: http://www1.idt.com/pcms/products.taf?catID=112&genID=CSPU877
256 bit 1-wire EEPROM	DS2430A_TS OC	<ul style="list-style-type: none"> Manufacturer: Maxim* URL: http://www.maxim-ic.com/quick_view2.cfm?qv_pk=2913
3.3V Transceiver	MAX561	<ul style="list-style-type: none"> Manufacturer: Maxim* URL: http://www.maxim-ic.com/quick_view2.cfm?qv_pk=1544
Battery Charger	ADP3801	<ul style="list-style-type: none"> Manufacturer: Analog Devices* URL: http://www.analog.com/UploadedFiles/Data_Sheets/308746738ADP3801_2_0.pdf

1.5 Terms and Definitions

Table 4. Terms and Definitions

Acronym/Term	Definition
ARM	Refers to both the microprocessor architecture and the company that licenses it.
CRB	Customer Reference Board
ICE	In-Circuit Emulator – A piece of hardware used to mimic all the functions of a microprocessor.
IOP	I/O processor
JTAG	Joint Test Action Group – A hardware port supplied on Intel XScale® microarchitecture evaluation boards used for in-depth testing and debugging.
PPCI-X	Primary PCI-X.
PSU	Power Supply Unit
SPCI-X	Secondary PCI-X.

1.6 Intel® 80333 I/O Processor

The 80333 is a follow-on product to the Intel® 80332 I/O processor (80332). It is a multi-function device that combines the Intel XScale® core with intelligent peripherals, and integrates two PCI Express to PCI-X Bridges. The 80333 consolidates into a single system:

- Intel XScale® core with an internal bus operating at 333 MHz.
- x8 PCI Express Upstream Link.
- Two PCI Express-to-PCI Bridges supporting PCI-X interface on both segments.
- PCI Standard Hot Plug Controller (segment B).
- Address Translation Unit (ATU): PCI-to-Internal Bus Application Bridge, interfaced to the segment A.
- High-Performance Memory Controller.
- Interrupt Controller with 17 external interrupt inputs.
- Two Direct Memory Access (DMA) Controller.
- Peripheral Bus Interface (PBI) Unit.
- Enhanced Application Accelerator Unit (AAU) which supports RAID 6 functionality.
- Two I²C Bus Interface Units (BIU).
- Two 16550 Compatible UARTs with flow control (4 pins).
- Eight General Purpose Input Output (GPIO) Ports.

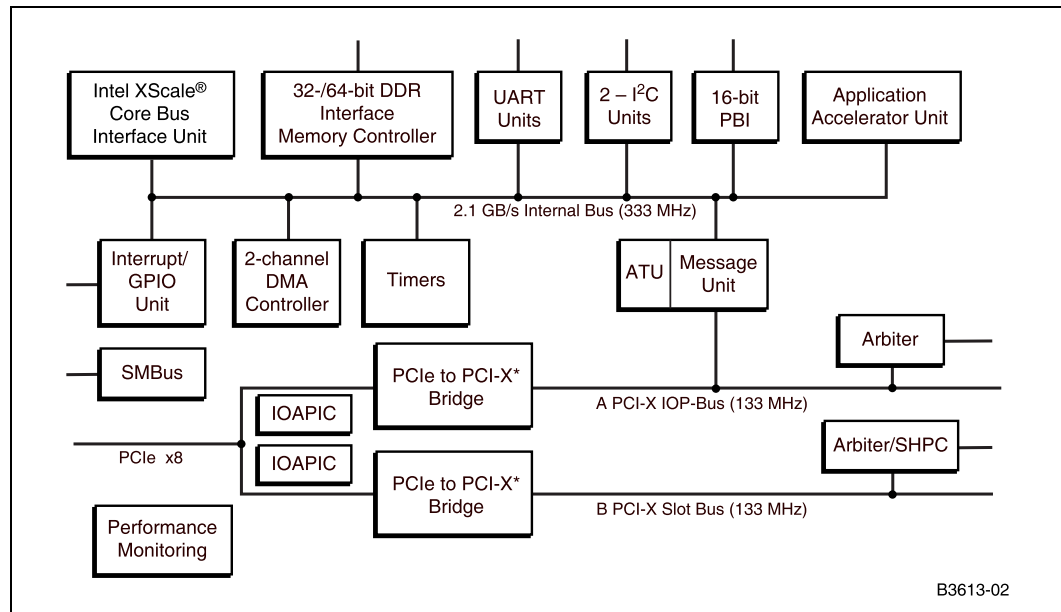
The 80333 is an integrated processor that addresses the needs of intelligent I/O applications and helps reduce intelligent I/O system costs.

PCI Express is an industry standard, high performance, low latency system interconnect. The 80333 PCI Express upstream link is capable of x8 lane widths at 2.5 GHz operation as defined by the *PCI Express Specification*, Revision 1.0a. The addition of the Intel XScale® core brings intelligence to the PCI Express-to-PCI Bridges.

The 80333 integrates dual PCI Express-to-PCI-X Bridges with the ATU as an integrated secondary PCI device. The Upstream PCI Express port implements the PCI-to-PCI Bridge programming model according to the *PCI Express Specification*, Revision 1.0. The Primary Address Translation Unit is compliant with the *PCI-X Addendum to the PCI Local Bus Specification*, Revision 1.0a definitions of an 'application bridge'.

For more in depth information in regards to the 80333, please see the Intel®80333 I/O Processor Developer's Manual.

Figure 1. Intel® 80333 I/O Processor Block Diagram



1.7 Intel® IQ80333 I/O Processor Evaluation Platform Board Features

Table 5. Summary of Features

Feature	Definition
Battery Backup Unit:	Battery back up circuit for SDRAM.
Ethernet	Intel(R) 82545EM Gigabit Ethernet Controller
Flash ROM:	8 MB Flash ROM 3.3 V – 16-bit Flash I/F.
Form Factor:	PCI-Express card (312 X 107 mm)
General Purpose I/O:	GPIO Pins are used as described in the appropriate section in this document
Hex Display:	Two 7-segment Hex LED displays.
JTAG Port:	ARM compliant JTAG Header.
Logic Analyzer:	Logic analyzer connectors on the DDRII SDRAM interface. Interposer Card may be used for the memory bus – Information supplied separately.
Memory:	<ul style="list-style-type: none"> • 256 MB (512 Mb x 16) DDRII SDRAM 400 MHz DIMM. • ECC • Registered
Onboard Power:	Board sources +1.25 V, +2.5 V, +3.3 V, +5 V, +12 V, and -12 V from primary PCI connector. <ul style="list-style-type: none"> • All core voltages are derived from 3.3 V supply. • Auxiliary power for the Secondary PCI slot.
Power LED:	Power on (green).
Primary PCI:	PCI Express - x8 lane
RAID Support	Support for "RAID" 6 functionality– Ability to make the devices plugged in the secondary expansion slots "Private". Integrated XOR engine and two iSCSI CRC32C off-load engines.
Secondary PCI:	<ul style="list-style-type: none"> • 1 64-bit PCI-X connector - 133 MHz. • 1 64 bit 100 MHz PCI-X • Intel(R) 82545EM Gigabit Ethernet Controller also on the 100 MHz PCI.
Serial Port:	Dual RJ11 serial port connectors. The 80333 has two integrated UART serial ports which are 16550 compatible.

The 80333 is a software development environment for IQ80333. Software updates and additional offerings from vendors can change frequently. To keep up-to-date, please visit <http://www.intel-ioprocessortools.com/kshowcase/view> for the latest updates.

2.1 Kit Content

The 80333 Kit contains the following items:

- IQ80333 with 400 MHz DDRII SDRAM DIMMs
- Code|Lab* Development Environment from Accelerated Technology Incorporated*
- JTAG Emulation unit
- Serial Cable and RJ11 Adapter

2.2 Hardware Installation

Warning: Static charges can severely damage the boards. Be sure you are properly grounded before removing the board from the anti-static bag.

2.2.1 First-Time Installation and Test

For first-time installation, visually inspect the 80333 for any damage made during shipment. Follow the host system manufacturer's instructions for installing a PCI Express adapter card. The board is a full-length host bus adapter card that requires a PCI Express slot free from obstructions. The IQ80333 has a x8 (read as 'by eight') edge connector.

Note: Please note, at this time the IQ80333 does NOT work in a passive backplane. This is due to the nature of the PCI Express linking protocol. For the I/O processor to successfully come out of reset, a link must be established on the PCI Express bus. Without another device on a passive backplane to 'talk to', a link is not established.

2.2.2 Power Requirements

The 80333 requires a 3.3 V supply coming through the PCI Express primary connector. Plug the board into a desktop with a PCI Express slot.

The 80333 has an auxiliary power receptacle (J1A1, see [Section 3.9.4, “Connector Summary”](#)) that is used to power the secondary PCI-X slot. This connector is compatible with a standard ATX hard drive power connector.

Caution: Before connecting power to the entire system, verify that the auxiliary system power to the secondary PCI-X slot and the main power to the 80333 are both connected. Both power rails should come up at the same time. When there is not a card plugged into the secondary PCI-X slot, then the auxiliary power can be left unconnected.

2.3 Factory Settings

Make sure that the switch/jumper settings are set to proper positions as explained in [Section 3.9](#), “Switches and Jumpers” on page 38.

2.4 Development Strategy

2.4.1 Supported Tool Buckets

For developing and debugging software application, the production version of the 80333 kit includes the Code|Lab Development Environment. Support for the Code|Lab development environment is available from MGC*. Please refer to the enclosed package.

The following tools are available for evaluation purposes (please contact appropriate vendor). These tools are for evaluation purposes and do not include any support. Please contact the vendor directly for additional information and support. They include, but are not limited to:

- RedHat* GNUPro tools
- ARM RealView Developer Suite
- WindRiver* VxWorks* RTOS and Tornado* Development Tools
- Wasabi Systems NetBSD* OS
- TimeSys* Linux* RTOS
- Accelerated Technology Inc.* , Nucleus Plus* RTOS and Development Tools

Please contact your Intel representative for the latest updates or visit <http://www.intel-ioprocessortools.com/kshowcase/view>.

2.4.2 Contents of the Flash

The production version of the board contains an image for RedHat RedBoot* target monitor.

2.5 Target Monitors

2.5.1 RedHat RedBoot

RedBoot* is an acronym for “RedHat Embedded Debug and Bootstrap”, and is the standard embedded system debug/bootstrap environment from RedHat, replacing the previous generation of debug firmware: CygMon and GDB stubs. It provides a bootstrap environment for a range of embedded operating systems, such as embedded Linux and eCos*, and includes facilities such as network downloading and debugging. It also provides a simple Flash file system for boot images.

RedBoot provides a set of tools for downloading and executing programs on embedded target systems, as well as tools for manipulating the target system's environment. It can be used for both product development (debug support) and for end product deployment (Flash and network booting).

Here are some highlights of RedBoot capabilities:

- Boot scripting support
- Simple command line interface for RedBoot configuration and management, accessible via serial (terminal) or Ethernet (telnet) (see [Section 2.6.4, “GNUPro GDB/Insight” on page 21](#))
- Integrated GDB stubs for connection to a host-based debugger (GDB/Insight) via serial or Ethernet. (Ethernet connectivity is limited to local network only)
- Attribute Configuration - user control of aspects such as system time and date (when applicable), default Flash image to boot from, default fail-safe image, static IP address, etc.
- Configurable and extensible, specifically adapted to the target environment
- Network bootstrap support including setup and download, via BOOTP, DHCP and TFTP
- X/Y-Modem support for image download via serial
- Power On Self Test

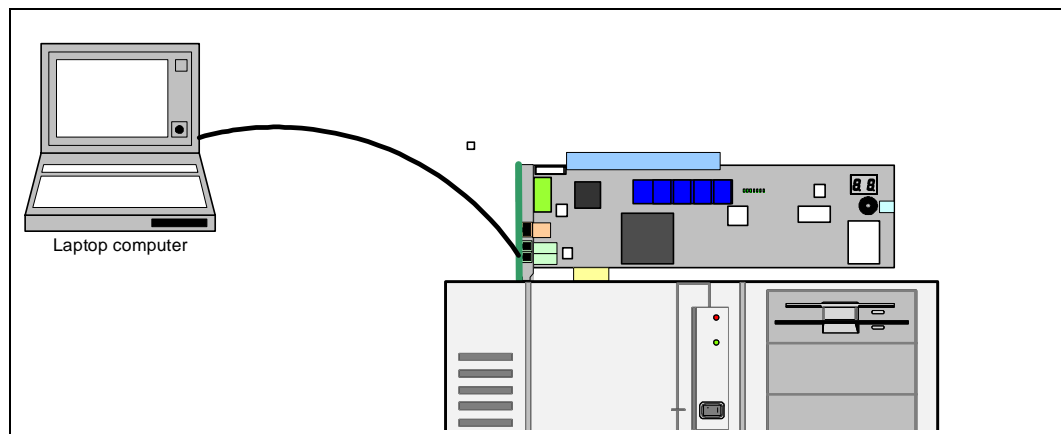
2.6 Host Communications Examples

How to communicate to the host.

2.6.1 Serial-UART Communication

Using a serial connection to communicate with the board (Figure 2). Please note that the evaluation board is plugged into a host machine, as in the figure below. You can use an additional laptop computer, but it is not necessary. The host computer, when loaded with the proper software can communicate with the board.

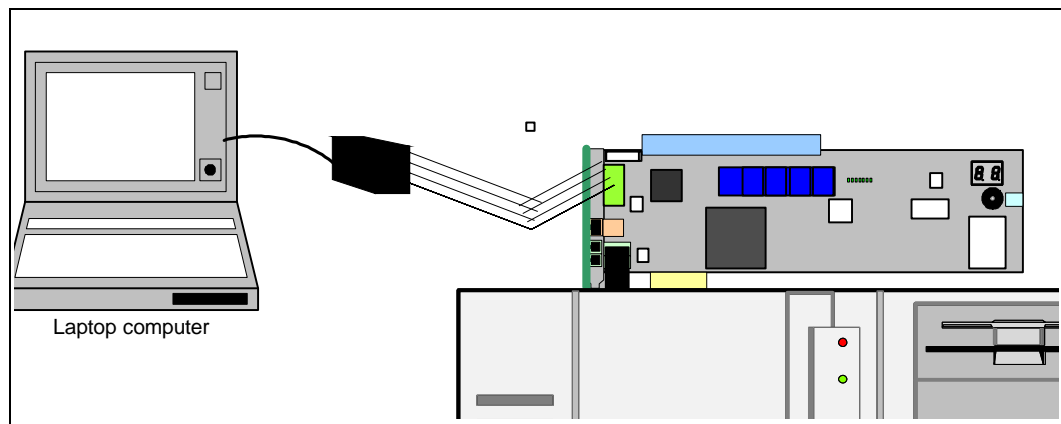
Figure 2. Serial-UART Communication



2.6.2 JTAG Debug Communication

Using a JTAG Emulator to communicate with the board (Figure 3). Please note that the evaluation board is plugged into a host machine, as in the figure below. You can use an additional laptop computer, but it is not necessary. The host computer, when loaded with the proper software can communicate with the board.

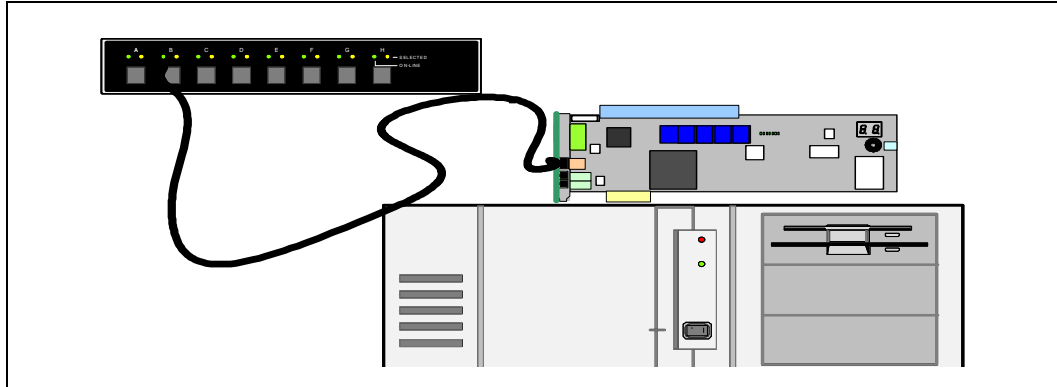
Figure 3. JTAG Debug Communication



2.6.3 Network Communication

Using a standard network connection, the user can communicate with the board via the ethernet port. Redboot also allows the user to remotely boot the platform using a BOOTP server through the network Connection.

Figure 4. Network Communication Example



2.6.4 GNUPro GDB/Insight

2.6.4.1 Communicating with RedBoot

Hardware Setup:

- Host with UNIX/Linux or Win32 installed
- IQ80333 with serial cable
- RedHat RedBoot monitor Flashed to the platform board

Recommended Mapping of UART Ports to Host Com Ports

- Host port connected to the platform board UART.

The following communication tools can be used:

- Win32 using HyperTerminal
- UNIX using Kermit
- Linux using Minicom
- Solaris using Tip

RedBoot Monitor startup:

Description: terminal emulator runs on host and communicates with the board via the serial cable.

Start: Power up the IQ80333. While the 'reset' is asserted, the two 7-segment LEDs sequentially display "88", "A0" through "A6", followed by "SL" (Scrub loop). When RedBoot is successfully booted, it displays the characters "A1" on the LEDs. When the final state of "A1" does not occur, reset the processor again.

The time for reset is approximately 1 or 2 seconds.

Win32 on Host Connecting with HyperTerminal.

To bring up a HyperTerminal session on a Win32 platform: Go to Start, Programs, Accessories, Communications, HyperTerminal

- HyperTerminal setup screens:
 - “Connection Description” Panel:
 - Enter name.
 - “Connect To” Panel:
 - Select host com2 port (or whichever port you are using).
 - Port Settings:
 - Bits per second: 115200
 - Data Bits: 8
 - Parity: none
 - Stop Bits: 1
 - Flow Control: none
 - Start HyperTerminal:
 - Select Call from HyperTerminal panel.
 - Reset or power up IQ80333.
 - The Host screen reads:

```
RedBoot(tm) debug environment - built dd:mm:yy, Mon dd 2004
Platform: 80333
Copyright (C) 2004, RedHat, Inc.
RAM: 0xa0000000-0xa2000000
FLASH: 0x00000000 - 0x00800000, 64 blocks of 0x00020000 bytes each.
IP: 192.168.0.1, Default server: 0.0.0.0
RedBoot>
```

For further information on the GDB/Insight Debugger, refer to the content of the GNUPro CD and/or the GNUPro Debugging Tools manual. This setup assumes that RedBoot is Flashed on the board.

2.6.4.2 Connecting with GDB

Below are the GDB commands entered from the command prompt. Be sure system path is set to access “xscale-elf-gdb.exe”. File name in example “hello”. Bold type represents input by user:

>**xscale-elf-gdb -nw hello**¹

- Start GDB executable, loads debug information and symbols.

(GDB) **set remotebaud 115200**

- Set baud rate for the 80333.

Connect COM port:

- When using Windows command prompt:

(GDB) **target remote com1**

Example: screen output from board to host (GDB) target remote com1:

Remote debugging using com1.

(GDB)

- When using Linux

(GDB) **target remote /dev/ttyS0**

(GDB) **load**

- Load the program to the board, may have to wait a few seconds.

(GDB) **break main**

- Set breakpoint at main.

(GDB) **continue**

- Start the program using 'continue' verse the usual 'run'.
- Program hits break at main() and wait.

1. To be supplied separately.



This Page Left Intentionally Blank

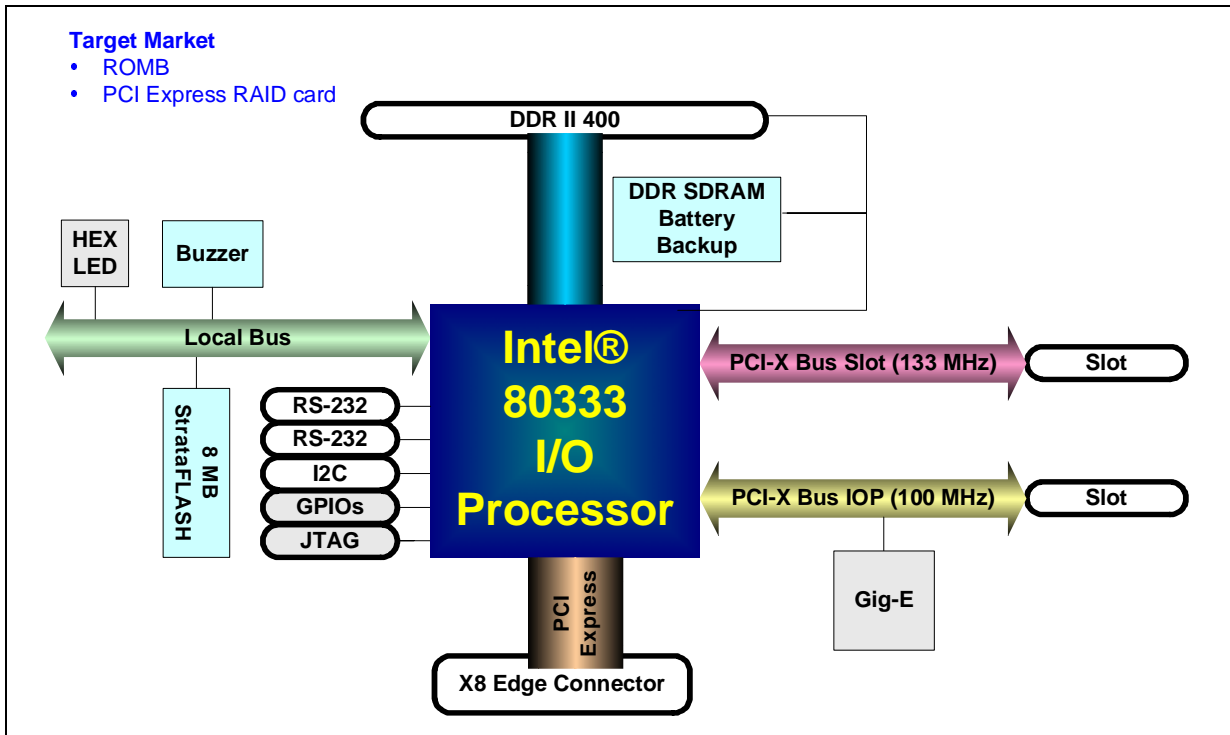
Hardware Reference Section

3

3.1 Functional Diagram

Figure 5 shows the functional block for the 80333.

Figure 5. Intel® 80333 I/O Processor Functional Block Diagram



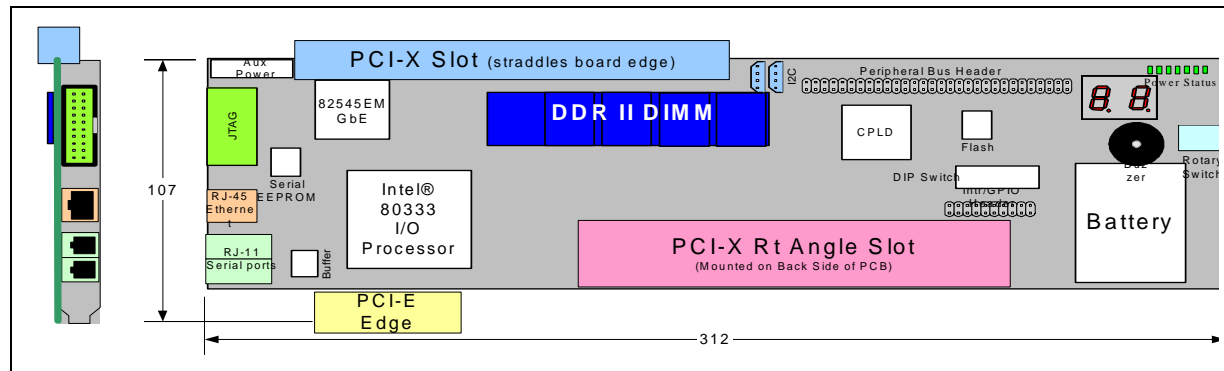
3.2 Board Form-Factor/Connectivity

Table 6 summarizes the form-factor and connectivity features for the 80333.

Table 6. Form-Factor/Connectivity Features

Description
The IQ80333 is a x8 PCI Express card with form factor depicted by Figure 6.
The 80333 connects to the Primary PCI-Express bus of the host machine.
The 80333 has two PCI-X expansion slot.
The 80333 has two serial ports and one RJ-45 Ethernet port.
The 80333 has one JTAG port compliant with ARM Multi-ICE 20-pin connector standard. The JTAG is targeted for the Intel XScale® core and the CPLD, and is used for software debug purposes.

Figure 6. Board Form Factor





3.3 Power

The 80333 draws power from the PCI Express bus. The power requirements for the 80333 are shown in [Table 7](#) below. The numbers do not include the power required by a PCI-X card mounted on the expansion slot.

Table 7. Power Features

Voltage Rail	Maximum Current
+3.3 V	6971 mA
+5 V	7 mA
+12 V	105 mA

Note: The maximum current was calculated, but not measured. This numbers do not include the power required by a PCI-X card mounted on the expansion slot(s).

3.4 Memory Subsystem

The Memory Controller of 80333 controls the DDR SDRAM memory subsystem. It features programmable chip selects and support for error correction codes (ECC). The memory controller can be configured for DDR SDRAM at 333 MHz and DDR-II at 400 MHz. The memory controller supports pipelined access and arbitration control to maximize performance. The memory controller interface configuration support includes Unbuffered DIMMs, Registered DIMMs, and discrete DDR SDRAM devices.

This IQ80333 has DDR-II at 400 MHz DIMM on the board. The memory subsystem of the evaluation board consists of the SDRAM as well as the Flash memory subsystems.

3.4.1 DDR SDRAM

The DDR SDRAM interface consists of a 64-bit wide data path to support up to 3.2 Gbytes/sec throughput. An 8-bit Error Correction Code (ECC) is stored into the DDRII SDRAM array along with the data and is checked when the data is read.

The IQ80333 features on board registered DDRII 400 MHz SDRAM, arranged 512 Mbit x16 in density (256 MB), and with ECC.

3.4.1.1 Battery Backup

Battery backup is provided to save any information in DDR during a power failure. The evaluation board contains a 4 V Li-ion battery, a charging circuit and a regulator circuit.

DDRII technology provides enabling data preservation through the self-refresh command. When the processor receives an active Primary PCI-X reset, the self-refresh command issues, driving SCKE signals low. Upon seeing this condition, the board logic circuit holds SCKE low before the processor loses power. Batteries maintain power to DDRII and logic, to ensure self-refresh mode. When the circuit detects PRST# returning to inactive state, the circuit releases the hold on SCKE. Removing the battery can disable the battery circuit. When the battery remains in the platform when it is de-powered and/or removed from the chassis, the battery maintains DDRII for about four hours. Once power is reapplied, the battery is fully charged.

The CPLD contains information in regards to the battery status. Please see [Section 3.6.7, “Battery Status”](#) on page 34 for more details.

3.4.2 Flash Memory Requirements

Total Flash memory size is 8 MB.

Table 8. Flash Memory Requirements

Description
IQ80333 Total Flash size is 8 MB
80333 Flash technology is based on Intel StrataFlash® family
80333 Flash uses a 16-bit interface
80333 Flash utilizes the 80333 Peripheral Bus
80333 May be programmed using the PCI-X interface – Flash Recovery Utility (FRU) Utility
80333 May be programmed using a RAM based software target monitor – RedHat RedBoot and ARM Firmware Suite
80333 May be programmed using a JTAG emulation/debug device

3.5 Interrupt Routing

The 80333 Interrupt routing.

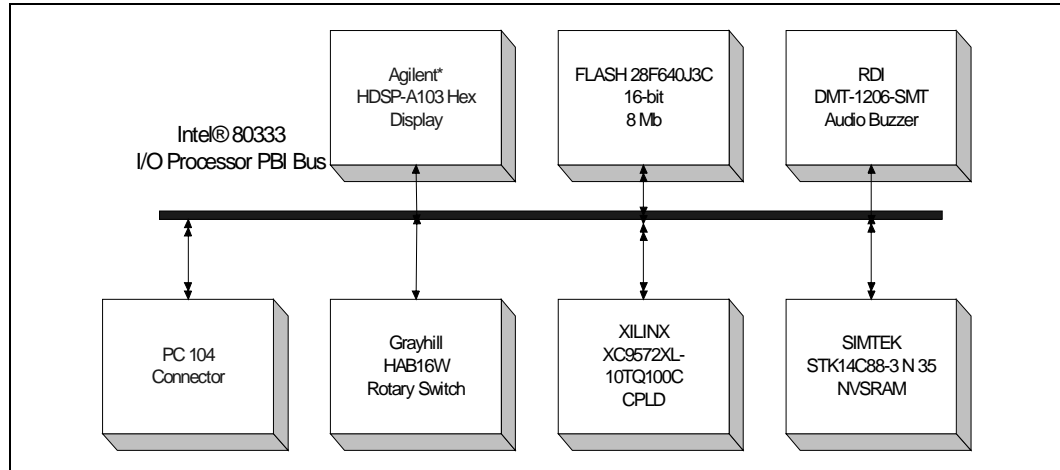
Table 9. External Interrupt Routing to Intel® 80333 I/O Processor

Interrupt	System Resource
HPI#	Temperature Sensor, Header
S_INTA#	PCI-X Slot INTB#, Header
S_INTB#	PCI-X Slot INTC#, Header
S_INTC#	PCI-X Slot INTD#, Header
S_INTD#	PCI-X Slot INTA#, Header
P_INTA#	PCI-X Card Edge INTA#, Header
P_INTB#	PCI-X Card Edge INTB#, Header
P_INTC#	PCI-X Card Edge INTC#, Header
P_INTD#	PCI-X Card Edge INTD#, Header

3.6 Intel® IQ80333 I/O Processor Evaluation Platform Board Peripheral Bus

The 80333 populates the peripheral bus as depicted by Figure 7.

Figure 7. Intel® IQ80333 I/O Processor Evaluation Platform Board Peripheral Bus Topology



The devices on the bus include Flash ROM, audio buzzer, CPLD, HEX display, NVSRAM, and rotary switch.

Table 10. Peripheral Bus Features

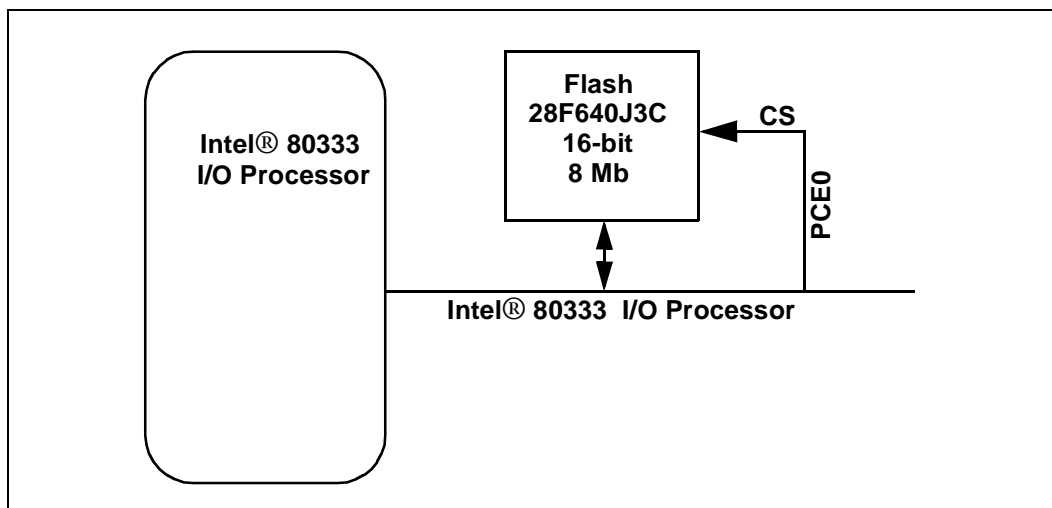
Description
The bus width can be 8-bit or 16-bit and runs at 66 MHz.
The bus is utilized for attaching debug and Flash devices.
The interfaces/devices that are utilized include an audio buzzer, CPLD, a rotary switch, a HEX Display, and NVSRAM.

3.6.1 Flash ROM

Table 11. Flash ROM Features

Description
Flash is an Intel StrataFlash® technology – Part number: 28F640J3C
Flash size is 8 MB
The connection to the peripheral bus is depicted by Figure 8

Figure 8. Flash Connection on Peripheral Bus



3.6.2 UART

The 80333 has two integrated UARTs. Each asynchronous serial ports supports all the functions of a 16550 UART. The UART signals are connected to a dual RS-232 buffer and then to a RJ-11 serial port connector mounted on the bracket of the evaluation board. The serial port and GPIO signals are muxed on the same pins. Jumper J1D2, located next to the serial port buffer can disable the buffer to allow the signals to be used as GPIO signals. Please see [Section 3.9.3, “Jumper Summary” on page 39](#) for more details.

3.6.3 Non-Volatile RAM

In addition to the 8MB Flash device, the IQ80333 has a separate 32 K by 8 non-volatile RAM device on the peripheral bus. The NVRAMs address range is from CE87 0000 to CE87 FFFF (in hex). Please see [Section 4.2.2, “Peripheral Bus Memory Map” on page 47](#) for more details.

3.6.4 Audio Buzzer

The 80333 evaluation board has an audio buzzer that is turned on and off by writing to the Buzzer Control Register located in the CPLD. Jumper J9D3 adjusts the volume from off, to soft, to loud. Please see [Section 3.9.3, “Jumper Summary” on page 39](#) for more details. The audio buzzer’s address range is from CE86 0000 to CE86 FFFF (in hex). Please see [Section 4.2.2, “Peripheral Bus Memory Map” on page 47](#) for more details.

3.6.5 HEX Display

The two pairs of Agilent HDSP-A103 seven segment LEDs are used for displaying POST codes or other software generated debug codes. Both HEX displays are individually addressed. The left HEX display address range is CE84 0000 to CE84 FFFF (in hex). The right HEX display address range is CE85 0000 to CE85 FFFF (in hex). Please see [Section 4.2.2, “Peripheral Bus Memory Map” on page 47](#) for more details.

3.6.6 Rotary Switch

The 80333 provides a Rotary Switch (S8A1) for the user to select from different boot-up flavors. Setting ‘0’ enables private devices on the secondary PCI-X bus. Setting ‘0’ allows Redboot to configure and use devices in slot A. Position ‘1’ allows the host to see all the devices on the secondary PCI bus. The default setting is position 0. Other settings are currently not validated with Redboot. Other settings may be used with other software applications. Please see [Section 4.2.2, “Peripheral Bus Memory Map” on page 47](#) for more details on addressing the rotary switch.

Table 12. Rotary Switch Requirements

Description
Rotary switch has a 4-bit resolution (16 positions).
The connection to the peripheral bus is depicted by Figure 7 .
Default setting is ‘0’. This enables private devices on PCI-X bus.
Position ‘1’ allows host to see all devices on the secondary bus.

3.6.7 Battery Status

A CPLD on the IQ80333 provides the following status for the battery. Please see [Section 4.2.2, “Peripheral Bus Memory Map”](#) on page 47 for more details on addressing the CPLD.

Table 13. Battery Status Buffer Requirements

BIT	Read/Write	Name	Description
0	R	Battery Present	<ul style="list-style-type: none"> • 0 = No backup battery • 1 = Battery backup is present
1	R	Battery Charged	<ul style="list-style-type: none"> • 0 = Battery is not fully charged • 1 = Battery is fully charged
2	R	Battery Discharged	<ul style="list-style-type: none"> • 0 = Battery backup is not fully discharged • 1 = Battery backup is fully discharged
3	R/W	Battery Enable	<ul style="list-style-type: none"> • 0 = Disable battery backup • 1 = Enable battery backup
4-7	*	Reserved	Undefined



3.7 Debug Interface

3.7.1 Console Serial Port

The platform has two serial ports for debug purposes as described in [Section 3.6, “Intel® IQ80333 I/O Processor Evaluation Platform Board Peripheral Bus”](#) on page 31.

3.7.2 JTAG Debug

The 80333 has a 20-pin JTAG connector (J7D2) that is in compliant with ARM Multi-ICE guidelines.

3.7.2.1 JTAG Port

Figure 9. JTAG Port Pin-out

VTref	1	2	Vsupply
nTRST	3	4	GND
TDI	5	6	GND
TMS	7	8	GND
TCK	9	10	GND
RTCK	11	12	GND
TDO	13	14	GND
nSRST	15	16	GND
DBGRQ	17	18	GND
DBGACK	19	20	GND

A9457-01

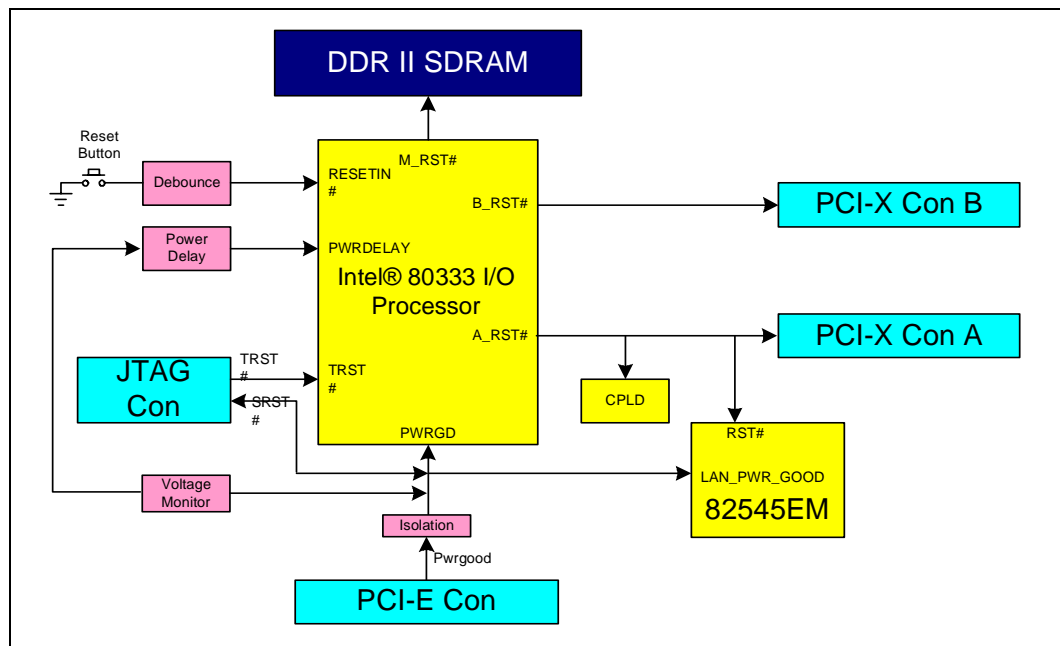
3.8 Board Reset Scheme

Figure 10 depicts the reset scheme for the 80333. Table 14 list the reset schemes for the 80333.

Table 14. Reset Requirements/Schemes

Description
Primary PCI reset, resets all devices on the board. It occurs during the power-up.
The SRST signal from the JTAG connector is a bi-directional signal that can force a reset similar to the power-up reset on the board.

Figure 10. RESET Sources



3.9 Switches and Jumpers

3.9.1 Switch Summary

Please note that the term ‘open’ refers to the individual pin of switch S7A1 being pushed in at bottom (small dot on pin away from the ‘open’ label on the switch). The term ‘closed’ refers to the pin being pushed in at the top. Please see Figure 11, “Default Switch Setting Switch S7A1” on page 38, for more details.

Table 15. Switch Summary

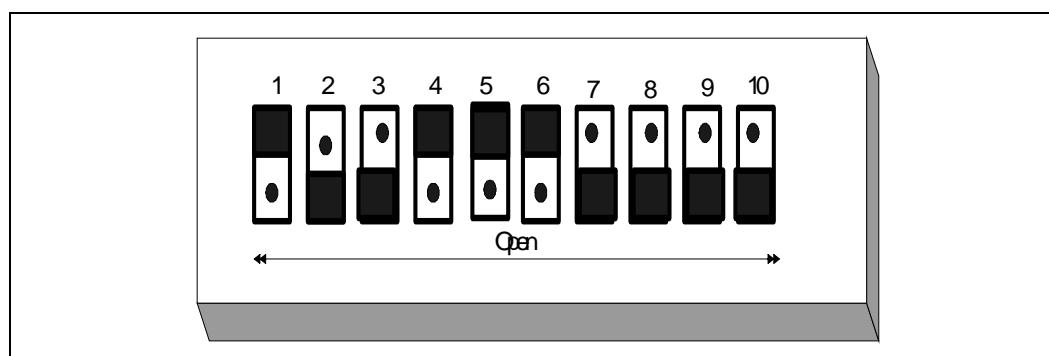
Switch	Association	Description	Factory Default
S1C1	80333	Reset	
S6A1	BPCI-X	Reset	
S7A1-1	APCI-X Bus	PCI-XBus A Speed Set	Closed
S7A1-2	IOP	RESET: Sets IOP Reset-Mode operation	Open
S7A1-3	IOP	RETRY: Sets IOP RETRY-Mode operation	Open
S7A1-4	BPCI-X Bus	PCI-X Bus B speed set	Closed
S7A1-5	BPCI-X Bus	PCI-X Bus B Hot Plug Reset	Closed
S7A1-6	BPCI-X Bus	Hot Plug Capable Disable	Closed
S7A1-7	SMBUS Bus	SMBUS Manageability address bit 5	Open
S7A1-8	SMBUS Bus	SMBUS Manageability address bit 3	Open
S7A1-9	SMBUS Bus	SMBUS Manageability address bit 2	Open
S7A1-10	SMBUS Bus	SMBUS Manageability address bit 1	Open
S8A1	CPLD	Rotary Switch	Position 1

3.9.2 Default Switch Settings of S7A1- Visual

Table 16. Switch S7A1

Closed	Open	Open	Closed	Closed	Closed	Open	Open	Open	Open
S7A1 1	S7A1 2	S7A1 3	S7A1 4	S7A1 5	S7A1 6	S7A1 7	S7A1 8	S7A1 9	S7A1 10

Figure 11. Default Switch Setting Switch S7A1



3.9.3 Jumper Summary

Table 17. Jumper Summary

Jumper	Description	Factory Default
J1C1	JTAG Chain Enable	1-2
J1D2	Disables UART	Open
J7B4	SM_SCLK to EEPROM, SM_SDTA to EEPROM	1-2, 3-4
J7D1	16-bit Flash Enable	Open
J9D3	Buzzer Volume	Open

3.9.4 Connector Summary

Table 18. Connector Summary

Connector	Description
J1D1	RJ45 Network Connector for GbE NIC.
J1E1	RJ11 Dual Serial Port Connector.
J1L1, J1M1, J1M2, J1N1, J2M1, J2M2	SMA connectors
J1R1	Secondary PCI-X Expansion bus Slot
J2A1	Secondary PCI-X Expansion bus Slot.
J2D1	Power header for fan.
J2D2	GPIO tap-in Header
J1B1, J5D1, J5C1	Test headers
J2E1	Edge connector for primary PCI Express Bus.
J5B1	DIMM
J7A1	PC104 Mod connector.
J7B1, J7B2	I ² C 4 pin connectors.
J7B3	Secondary PCI-X Expansion Slot Power. Please see Section 2.2.2, "Power Requirements" for more details
J7C1	Test header (empty)
J7D2	JTAG CPLD Header.
J9D1	Power header for battery.

3.9.5 General Purpose Input/Output Header

Table 19, “J2D2 GPIO Header Definition” on page 39 shows the GPIO signal assignments. The GPIO signals are muxed with the serial port signals. The serial port must be disabled to use the GPIO signals. These pins correspond to Jumper J2D2.

Table 19. J2D2 GPIO Header Definition

Pin	Signal	Pin	Signal	Pin	Signal
1	GND	4	GPIO5	7	GPIO2
2	GPIO7	5	GPIO4	8	GPIO1
3	GPIO6	6	GPIO3	9	GPIO0

3.9.6 Detail Descriptions of Switches/Jumpers

3.9.6.1 Switch S1C2: Intel® 80333 I/O Processor Reset

This switch resets 80333.

3.9.6.2 Switch S6A1: BPCI-X Reset

This switch resets the PCI-X B segment bus.

3.9.6.3 Switch S8A1: Rotary

Table 20. Rotary Switch Settings

Position	Description
0 Factory Default	Enables private devices on the secondary PCI-X slot. Redboot uses this setting to configure private devices
1	Disables private devices on the secondary PCI-X slot. This setting allows the host to see all the devices on the secondary PCI bus.
2-F	These settings are meaningless to Redboot. Other applications may use these settings for configuration or software utilization.

For more information, please see [Section 3.6.6, “Rotary Switch” on page 33](#).

3.9.6.4 Switch S7A1

This 10 pin switch that allows the user to enable or disable various features. Please see specifics below.

3.9.6.4.1 S7A1-1: PCI-X Bus A Speed Enable Corresponding to Signal Name PBI_AD3

This switch allows the user to force the PCI-X bus A to run at 133 MHz or 100 MHz.

Table 21. S7A1-1: PCI-X Bus A Speed Enable

S7A1-1	Operation Mode
Open	Enables 133 MHz on PCI-X bus A
Closed	Enables 100 MHz on PCI-X bus A (Default Mode)

3.9.6.4.2 S7A1-2: Reset I/O Processor Core Corresponding to Signal Name PBI_AD5

RESET MODE is latched at the de-asserting edge of P_RST# and it determines when the 80333 is held in reset until the Intel XScale® core Reset bit is cleared in the PCI Configuration and Status Register.

Table 22. Switch S7A1-2: Reset IOP: Settings and Operation Mode

S7A1-2	Operation Mode
Open	Don't hold in reset, enable IOP core (Default mode).
Closed	Hold IOP core in reset.

3.9.6.4.3 S7A1-3: Configuration Cycle Enable Corresponding to Signal Name PBI_AD6

Configuration Cycle Enable or RETRY is latched at the de-asserting edge of P_RST# and it determines when the Primary PCI interface disable PCI configuration cycles by signaling a Retry until the Configuration Cycle Retry bit is cleared in the PCI Configuration and Status Register.

Table 23. Switch S7A1-3: RETRY: Settings and Operation Mode

S7A1-3	Operation Mode
Open	Configuration Retry Enabled. - use when booting in a host (Default mode).
Closed	Configuration Retry Disabled.

3.9.6.4.4 S7A1-4: PCI-X Bus B Speed Enable Corresponding to Signal Name PBI_AD10

This switch allows the user to enables 133 MHz on PCI-X segment B.

Table 24. S7A1-4: PCI-X Bus B Speed Enable: Settings and Operation Mode

S7A1-4	Operation Mode
Open	Enables 133 MHz on PCI-X bus B.
Closed	Enables 100 MHz on PCI-X bus B (Default Mode).

3.9.6.4.5 S7A1-5: PCI-X Bus B Hot-Plug Reset Disable Corresponding to Signal Name PBI_AD11

This switch allows the user to enables or disable Hot-Plug Reset on PCI-X segment B.

Table 25. S7A1-5: PCI-X Bus B Hot-Plug Reset Disable: Settings and Operation Mode

S7A1-5	Operation Mode
Open	PCI-X Bus B Hot-Plug Enable, normal reset mode disabled
Closed	PCI-X Bus B Hot-Plug Disable, normal reset mode (Default Mode).

3.9.6.4.6 Switch S7A1- 6: Hot Plug Capable Disabled Corresponding to Signal Name PBI_AD15

This switch allows the user to enable hot plug devices on the secondary PCI-X bus B.

Table 26. Switch S7A1- 6: Hot Plug Capable Disabled: Settings and Operation Mode

S7A1-6	Operation Mode
Open	Hot Plug on Bus B Enabled
Closed	Disables Hot Plug on Bus B(Default mode)

3.9.6.4.7 Switch S7A1 - 7: SMBUS Manageability Address Bit 0 Corresponding to Signal Name PBI_AD17

This allows 80333 to address SMBus Slave Address bit 0 (PBI_A17).

Table 27. Switch S7A1 - 7: SMBUS Manageability Address Bit 0: Settings and Operation Mode

S7A1-6	Operation Mode
Open	SMBus Manageability Address Bit 0 = "1" (Default Mode)
Closed	SMBus Manageability Address Bit 0 = "0"

3.9.6.4.8 Switch S7A1 - 8: SMBUS Manageability Address Bit 3 Corresponding to Signal Name PBI_AD18

This allows 80333 to address SMBus Slave Address bit 3 (PBI_A18).

Table 28. Switch S7A1 - 8: SMBUS Manageability Address Bit 3: Settings and Operation Mode

S7A1-8	Operation Mode
Open	SMBus Manageability Address Bit 3 = "1" (Default Mode)
Closed	SMBus Manageability Address Bit 3 = "0".

3.9.6.4.9 Switch S7A1- 9:SMBUS Manageability Address Bit 2 Corresponding to Signal Name PBI_AD17

This allows 80333 to address SMBus Slave Address2 (PBI_A17).

Table 29. Switch S7A1 - 9: SMBUS Manageability Address Bit 2: Settings and Operation Mode

S7A1-9	Operation Mode
Open	SMBus Manageability Address Bit 2 = "1" (Default Mode)
Closed	SMBus Manageability Address Bit 2 = "0".

3.9.6.4.10 Switch S7A1- 10: SMBUS Manageability Address Bit 1 Corresponding to Signal Name PBI_AD16

This allows 80333 to address SMBus Slave Address 1 (PBI_A16).

Table 30. Switch S7A1 - 10: SMBUS Slave Address 0: Settings and Operation Mode

S7A1-10	Operation Mode
Open	SMBus Manageability Address Bit 1 = "1" (Default Mode)
Closed	SMBus Manageability Address Bit 1 = "0".

3.9.6.5 Jumper J7D1: Flash bit-width

The IQ80333 expects an 8-bit Flash enable.

Table 31. Jumper J7D1: Descriptions

Jumper	Description	Factory Default
J7D1	8-bit Flash Enable	Open

Table 32. Jumper J7D1: Settings and Operation Mode

Pins	Operation Mode
1-2	Enables 16-bit Flash
NC	8-bit Flash (default mode)

3.9.6.6 Jumper J1C1: JTAG Chain

Table 33. Jumper J1C1: Descriptions

Jumper	Description	Factory Default
J1C1	JTAG Chain Enable	1-2

Table 34. Jumper J1C1: Settings and Operation Mode

J1C1	Operation Mode
Pins 1, 2	Enables JTAG Chain for IOP only (Default Mode).
Pins 3, 4	Enables JTAG Chain for IOP + CPLD
Pins 5, 6	Enables JTAG Chain for IOP + CPLD + GBE
Pins 7, 8	Enables TRST# pull-down resistor

3.9.6.7 Jumper J1D2: UART Control

Table 35. Jumper J1D2: Descriptions

Jumper	Description	Factory Default
J1D2	UART Control	Open

Table 36. Jumper J1D2: Settings and Operation Mode

J1D2	Operation Mode
Pins 1, 2	Disables UART/RS-232 port
NC	Enables UART/RS-232 port (Default Mode)

3.9.6.8 Jumper J7B4: SMBus Header

Table 37. Jumper J7B4: Descriptions

Jumper	Description	Factory Default
J7B4	SMBus Header	1-2, 3-4

Table 38. Jumper J7B4: Settings and Operation Mode

J7B4	Operation Mode
Pins 1, 2	Connects SM_SCLK to EEPROM U7B2 (Default Mode).
Pins 3, 4	Connects SM_SDTA to EEPROM U7B2 (Default Mode).
Pins 5, 6	Connects SM_SCLK to GE_SMCLK (for GBE control)
Pins 7, 8	Connects SM_SDTA to GE_SMDAT(for GBE control)r
Pins 9, 10	Connects SM_SCLK to PE_SMCLK (for PCI-E bus control)
Pins 11, 12	Connects SM_SDTA to PE_SM_SDAT (for PCI-E bus control)

3.9.6.9 Jumper J9D3: Buzzer Volume Control

Table 39. Jumper J9D3: Descriptions

Jumper	Description	Factory Default
J9D3	Buzzer Volume	Open

Table 40. Jumper J9D3: Settings and Operation Mode

J9D3	Operation Mode
Pins 2, 3	Buzzer Volume Soft
Pins 1, 2	Buzzer Volume Loud.
NC	Buzzer Volume Off.

Software Reference

4

4.1 DRAM

For DDR SDRAM Sizes and Configurations, see the *Intel® 80333 I/O Processor Developer's Manual*. This section also contains multiple examples of Address Register Programming.

See the *Intel® 80333 I/O Processor Design Guide*, section 8, table 34 for supported DDR333 and DDR-II configurations.

For all registers relating to DRAM and other MCU related registers, see the *Intel® 80333 I/O Processor Developer's Manual*.

4.2 Components on the Peripheral Bus

The 80333 has a peripheral bus which contains the following peripheral devices:

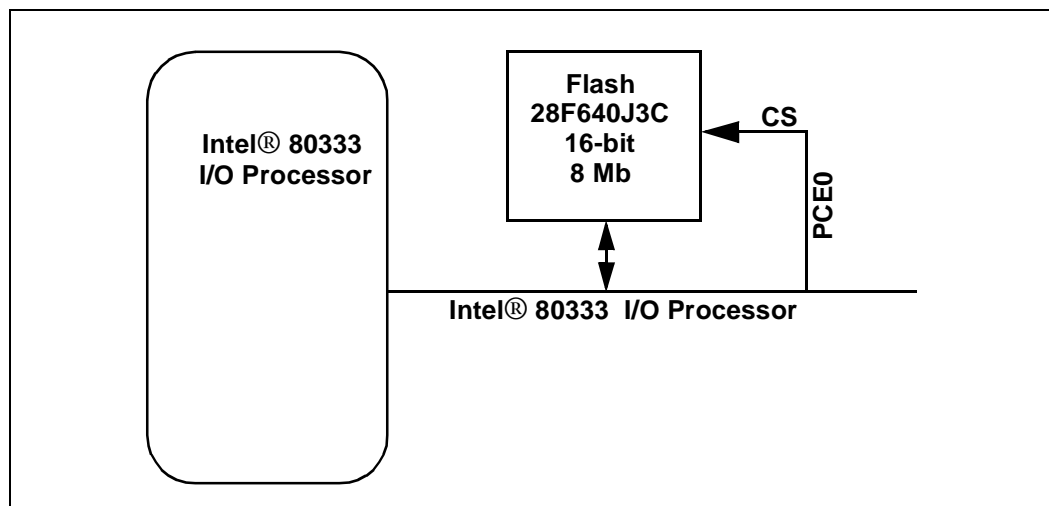
- Flash ROM
- CPLD
- Audio Buzzer
- Rotary Switch
- Hex Display

Peripheral memory-Mapped Register Locations and all registers associated with PBI or the Peripheral Bus Interface Unit can be found in the *Intel® 80333 I/O Processor Developer's Manual*.

4.2.1 Flash ROM

The Flash ROM is an 8 MB Intel StrataFlash® (part# 28F640) that sits on the Peripheral Bus and is accessed using PCE0.

Figure 12. Flash Connection to Peripheral Bus



Under normal operation, the very first instruction access by the Intel XScale® core begins at location 0x0 on the 80333 Internal Bus. By default, address 0x0 is pointing to PCE0 where Flash is located.

Currently, the Intel Flash Recovery Utility (FRU) can be used with the IQ80333. Another alternative to FRU would be to reprogram the Flash through JTAG or using Redboot commands, when Redboot is currently loaded onto the board. For more information on using Redboot to program the Flash, please see Redboot Manual.

4.2.2 Peripheral Bus Memory Map

The Table 41 is the physical memory map of the devices on the 80333 Peripheral Bus:

Table 41. Peripheral Bus Memory Map

Address Range (in Hex)	Size	Data Bus Width	Description
C000 0000 - C07F FFFF	8 MB	8-bit or 16-bit	Flash memory (re-mapped)
CE80 0000 -CE80 FFFF	64 KB	8-bit	Product Code
CE81 0000 -CE81 FFFF	64 KB	8-bit	Board Stepping
CE82 0000 -CE82 FFFF	64 KB	8-bit	CPLD Firmware Revision
CE83 0000 -CE83 FFFF	64 KB	8-bit	Discrete LEDs
CE84 0000 -CE84 FFFF	64 KB	8-bit	Hex Display Left
CE85 0000 -CE85 FFFF	64 KB	8-bit	Hex Display Right
CE86 0000 -CE86 FFFF	64 KB	8-bit	Buzzer Control
CE87 0000 -CE87 FFFF	64 KB	8-bit	32 KB NV RAM
CE8D 0000 -CE8D FFFF	64 KB	8-bit	Rotary Switch
CE8E 0000 -CE8E FFFF	64 KB	8-bit	ESN I/O
CE8F 0000 -CE8F FFFF	64 KB	8-bit	Battery Status

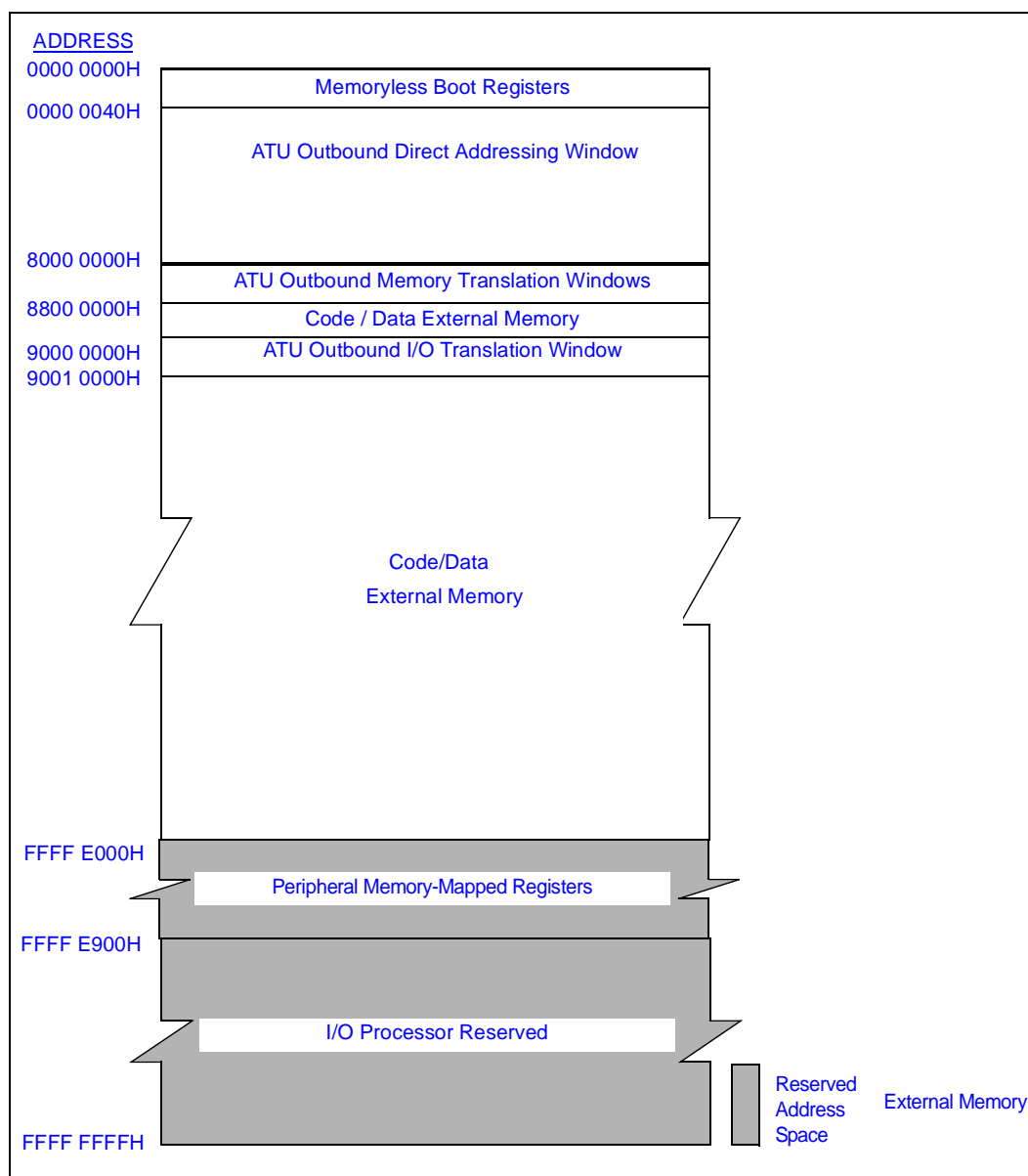
4.3 Board Support Package (BSP) Examples

Examples provided in this section are based on the RedHat* RedBoot software running on the IQ80333.

4.3.1 Intel® 80333 I/O Processor Memory Map

Figure 13 depicts the memory space for the 80333 (before RedBoot boots):

Figure 13. Intel® 80333 I/O Processor Memory Map



4.3.2 RedBoot* Intel® 80333 I/O Processor Memory Map

Virtual Address	Physical Address	Size (MB)	Description
0x0000 0000	0x0000 0000	2048	SDRAM - 64-bit ECC
0x8000 0000	0x8000 0000	128	ATU Outbound Memory Translation Windows
0x8800 0000	*	128	Unused
0x9000 0000	0x9000 0000	1	ATU Outbound I/O Translation Window.
0x9010 0000	*	255	Unused
0xA000 0000	0x0000 0000	512	SDRAM - 64 bit ECC Uncached
0xC000 0000	0xC000 0000	8	Flash (PCE0#)
0xC080 0000	*	224	Unused
0xCE80 0000	0xCE80 0000	1	PCE1# - Uncached
0xCE90 0000	*	23	Unused
0xD000 0000	*	512	Unused
0xF00 0000	0xF00 0000	1	Cache flush
0xF010 0000	*	254	Unused
0xFFFF 0000	0xFFFF 0000	1	PMMR - Intel®80333 I/O processor Memory Mapped Registers. Please see Chapter 17 of the <i>Intel® 80333 I/O Processor Developer's Manual</i> for more details.

4.3.3 RedBoot Intel® 80333 I/O Processor Files

Attached in the kit, find a copy of the RedHat eCos for IQ80333 CD. Once the CD is installed, you may find:

- **The RedBoot initialization code source files** from the following location:
From the installed directory:
..\RedHat\eCos\packages\hal\arm\xscale\iq80333\current\include
- **The RedBoot binary image files** (downloadable onto Flash) from the following location:
From the installed directory:
..\RedHat\eCos\loaders\iq80333

To access RedHat GNUPro tools including RedBoot binaries and source code, you may also go to the following location on the Intel site:

- http://developer.intel.com/design/intelxscale/dev_tools/021022/index.htm

4.3.4 RedBoot Intel® 80332 I/O Processor DDR Memory Initialization Sequence

In order to set the correct ECC bits, a DDR memory system (DIMM or discrete components) must be written to with a known value. This process requires 64-bit writes to the entire DDR memory intended for use. The following explains the sequence for memory initialization by RedBoot on an 80333 board with an ECC DIMM. It also includes an example for the scrub (ECC initialization) code.

Initialization Sequence:

1. Disable interrupts. (Technically they are disabled at reset, but for soft reset this is included.
2. Init PBIU (Peripheral Bus Interface Unit) chip selects.
3. Enable I cache.
4. Move Flash to 0xF0000000.
5. Set TTB and Enable MMU.
6. Read DIM for memory parameters.
7. Set Memory Parameters.
8. Delay.
9. Turn DDRAM on.
10. Delay.
11. Enable Data Cache.
12. Enable BTB.
13. Flush all.
14. Clear ECC error logs.
15. Battery Test.
16. Enable ECC.
17. Scrub loop: Write zeros to all memory locations

```
mov    r8, r4        // save DRAM size
mov    r0, #-1
mov    r1, #-1
mov    r2, #-1
mov    r3, #-1
mov    r4, #-1
mov    r5, #-1
mov    r6, #-1
mov    r7, #-1

ldr    r11, = SDRAM_BASE

// scrub Loop
0:
stmia  r11!, {r0-r7}
subs  r12, r12, #32
bne   0
```

IQ80321 and IQ80333 Comparisons A

This appendix provides a brief description for differences between IQ80333 and IQ80321.

Table 42. Intel® IQ80321 Evaluation Platform Board and Intel® IQ80333 I/O Processor Evaluation Platform Board Comparisons

Features	Intel® IQ80333 I/O Processor Evaluation Platform Board	Intel® IQ80321 Evaluation Platform Board
I/O Processor	80333	Intel® 80321 I/O Processor
Core/Microprocessor Technology	Intel XScale® microarchitecture	Intel XScale® microarchitecture
Memory Technology	DDRII 400 MHz SDRAM DIMM	PC1600 DDR SDRAM (100 MHz Clock)
Form Factor	PC board that attaches to a PC/Server/Backplane by a PCI Express slot – Two PCI-X Expansion Slot	Extended PC board that attaches to a PC/Server/Backplane – One PCI-X Expansion Slot
PC/Server/Backplane Connection	PCI Express	PCI-X 133 MHz/64-Bits or PCI 66 MHz/64 Bits
Expansion Card Slot	One PCI-X 100 MHz/64-bits One PCI-X 133 MHz/64-bit	One PCI-X 133 MHz/64-bit
PCI/PCI-X Bridge	PCI-X to PCI-X Bridge integrated with the IQ80333I	IBM PCI-X Bridge Reference: IBM 133 PCI-X Bridge http://www.chips.ibm.com/
Interrupt Routing	External interrupts are routed through the XINT pins on the 80333. Please see Table 9 for more details.	External interrupts are routed through the XINT pins on the 80321. They include INTA, INTB form PCI-X expansion slot, INTA from 82544 GBE, and UART interrupt – Steering and Status registers are in 80321 – see <i>Intel® 80321 I/O Processor Developer's Manual</i>
Timers	Internal to 80333 – Refer to <i>Intel® 80333 I/O Processor Developer's Manual</i>	Internal to the 80321 - please refer to the <i>Intel® 80321 I/O Processor Developer's Manual</i>
Local/Peripheral Bus	66 MHz multiplexed bus with two chip-enables, Synch/Asynchronous (80333 operates in 66 MHz Asynchronous mode) – Refer to PBI section in <i>Intel® 80333 I/O Processor Developer's Manual</i>	2-bit/33-100MHz multiplexed bus with six chip-enables, Synch/Asynchronous (IQ80321 operates in 33 MHz Asynchronous mode) – Refer to PBI section in the <i>Intel® 80321 I/O Processor Developer's Manual</i> .
Flash Memory	8-bit or 16-bit, 8 MB accessed through Peripheral Bus with chip-enable 0 (PCE0)	16-bit, 8 MB accessed through Peripheral Bus with chip-enable 0 (PCE0))
Serial Debug Port	Two UARTs integrated within the 80333.	One UART on the Peripheral bus – 16C550 device
Network Debug Port	Intel® 82545EM GbE on the 100 MHz PCI-X bus	Intel® 82544 GbE on the PCI-X bus
Rotary Switch	Same	Same
LED HEX Display	Same	Same
JTAG	20-PIN ARM Compliant	20-PIN ARM Compliant
Logic Analyzer Connection	Through PCI-X or PCI Express	Various Mictors



This Page Left Intentionally Blank

Getting Started and Debugger

B

B.1 Introduction

This appendix pertains to Code|Lab version 2.3 and later which uses Microsoft's Visual Studio .NET. For Code|Lab version 2.2 and earlier, refer to appendix B.

For more detailed information on JTAG and the 80333, please see the Intel® 80333 I/O Processor JTAG Support White Paper.

B.1.1 Purpose

The purpose of this appendix is to help the user setup and become familiar with the IQ80333 and other related hardware and software. This appendix steps the user through an example program using:

- Code|Lab EDE
- Code|Lab EDE debugger
- Macraigor* Raven* JTAG

This programming also includes:

- software setup
- compiling
- linking
- debugging example code

The user tours the major features of the debugger and explores some of the basics of debugging. By the end of this exercise, the user has been given a general understanding of the MGC* development tools and can begin working on new applications.

B.1.2 Necessary Hardware and Software

This example uses the MGC Code|Lab plug-in for Microsoft* Visual Studio, the GNU* Pro compiler, the Macraigor Raven JTAG connector, and the 80333.

B.1.3 Related Documents

Table 43. Related Documents

Document Title	Document #
Intel® 80333 I/O Processor Developer's Manual	305432
Intel® 80200 Processor based on Intel® XScale™ Microarchitecture Developer's Manual	273411
Hot-Debug for Intel® XScale™ Core Debug White Paper	273539
ARM Assemblers Guide (http://www.arm.com/support/574FKU/\$File/ADS_AssemblerGuide_B.pdf)	
ADS Debug Target Guide (http://www.arm.com/support/574FWT/\$File/ADS_DebugTargetGuide_D.pdf)	
Code Lab Debug for ARM [®]	

a. This document installs to C:\MGC\docs\codelab debug.pdf.

Many of these documents load as part of MGC Code|Lab install (Start/Programs/ Accelerated Technology/Documentation). This menu contains both the ARM* ADS and Code|Lab documents.

B.1.4 Related Web Sites

- Macraigor: <http://www.ocdemon.net/>
- http://developer.intel.com/design/intelxscale/dev_tools/021022/index.htm
- <http://developer.intel.com/design/iio/>
- <http://developer.intel.com/design/iio/papers/273961.htm>

B.2 Setup

B.2.1 Hardware Setup

Use [Figure 14](#) and the rest of the *Intel® 80333 I/O Processor Evaluation Platform Board Manual*, to set up the hardware.

- Connect the Raven to the host via the parallel port and to the evaluation board via the 20-pin JTAG connector.

Note: The parallel port must be configured to EPP mode for the Macraigor Raven to work properly.

The parallel port setting can be changed in the BIOS setup program or in Control Panel. More information on the Raven can be found at the Macraigor web site. Test software for the Raven is free and available for download at:

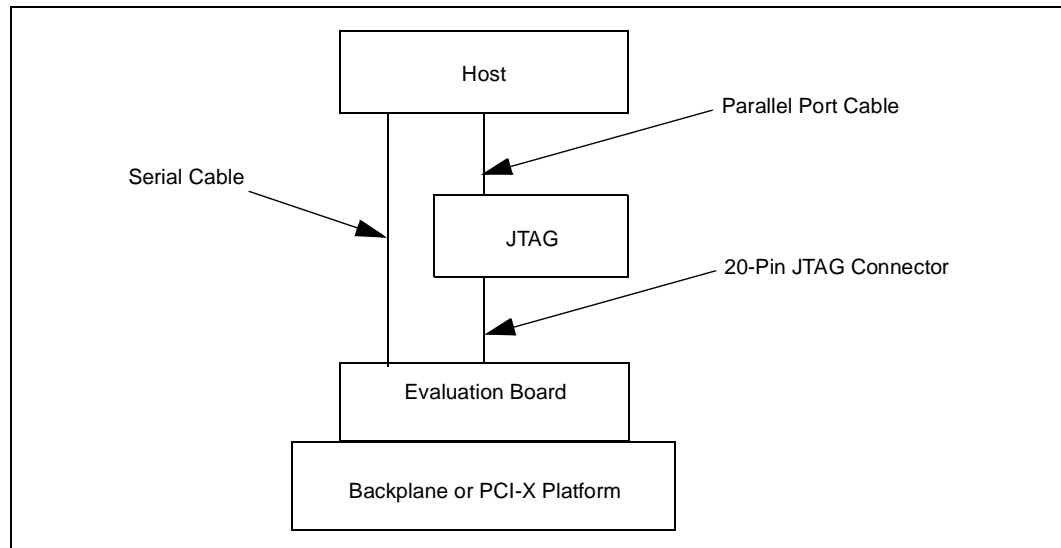
http://www.ocdemon.net/Merchant2/merchant.mv?Screen=CTGY&Store_Code=MTS&Category_Code=pinouts.

- Connect a serial cable from the evaluation board to the host.

Note: The serial cable connects to the evaluation board with an RJ11 connector and connects to the host computer serial port via an RJ11 to DB9F adaptor. The serial port configuration is covered in the configuration section below.

- The 80333 plugs into a bus master PCI Express slot on the backplane or platform.

Figure 14. Intel® 80333 I/O Processor Hardware Setup Flow Chart



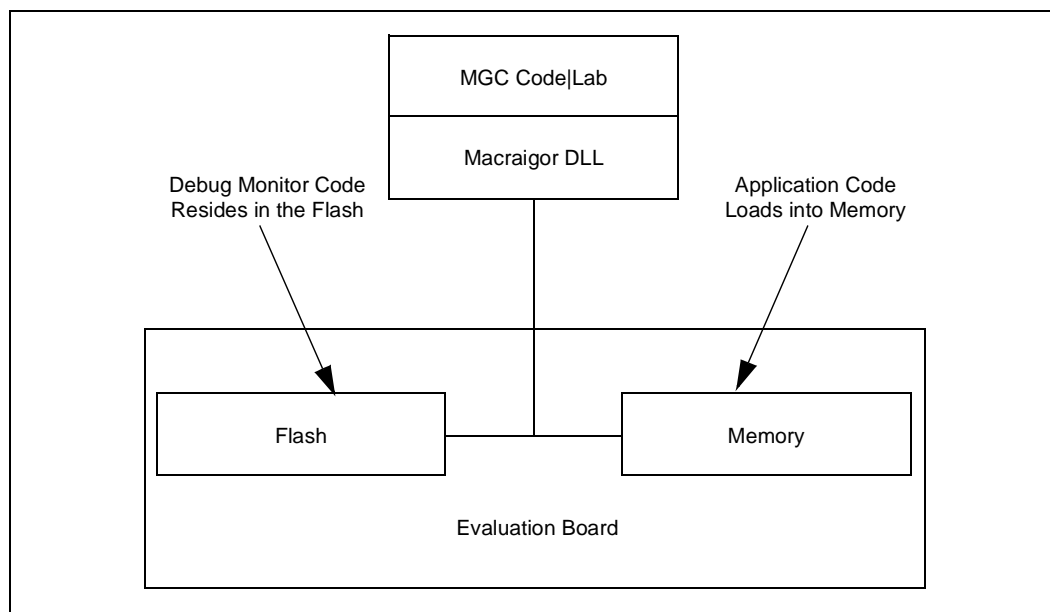
B.2.2 Software Setup

MGC Code|Lab is a plug-in to Microsoft Visual Studio .NET, therefore Microsoft Visual Studio .NET must already be loaded on the system. To load MGC Code|Lab, run setup.exe under the program directory.

Note: Do not install over an old version of MGC Code|Lab. When necessary, uninstall Code|Lab with Add/Remove programs under the Control Panel before reinstalling.

To view the soft copies of document, Adobe Acrobat Reader is needed. The latest version can be downloaded at (<http://www.adobe.com>).

Figure 15. Software Flow Diagram



B.3 New Project Setup

B.3.1 Creating a New Project

1. Launch Code|Lab EDE for .NET.
2. On the Start Page, select “New Project”.
 - a. The “New Projects” window appears.
 - b. Select “Code|Lab Projects” under Project Types and name the project “Project80333” in the name field.

Note: The directory “Project80333” is created under the path specified in the Location box.

- c. Click OK.
3. In the Code|Lab EDE Project Wizard Window:
 - a. Select “RedHat GNU Tools for XScale” under “Build Toolset”.
 - b. Select 80333 under “Project Template”.
 - c. Select “Application” under “Project Type”.
 - d. Click “Finish”.
4. Close the “Start Page” by clicking on the X in the top right corner of the Start Page window.
5. The new project is now in the “Solution Explorer” window. When this window is not open, open it by “View, Solution Explorer”.
6. Right click on “Project80333” and select “Save Project80333”.
7. From <http://developer.intel.com/design/iio/swsup/Tester1LED.htm>, download the following zip file (.../Tester1LED) from the Software Support section, containing the example code files to the newly created project folder:

```
Tester1LED.zip
blink.c
blink.h
led.c
led.h
```

These files can be placed in any directory on the hard drive.

8. Add the newly downloaded files to the project:
 - a. In the “Solution Explorer” window, right click on “Project80333” and select “Add, Add Existing Item”.
 - b. In the “Add Existing Item” window, use the drop-down menu under “Look In” to find the four files listed in step 7 on the hard drive. Select all four files and click “open”. The “Solution Explorer” window now shows these files under “Project80333”.

B.3.2 Configuration

Examine the main menu of Code|Lab EDE for .NET.

- File
- Project
- code|lab EDE
- Tools
- Help
- Edit
- View
- Build, Debug
- Window

Since Code|Lab is a plug-in to Visual Studio, some of these menu items are Visual Studio and some are specific to Code|Lab. Click on any of these menu items and the drop-down menu displays the subordinate menu items. Many of these items have defined tool bar symbols, function keys, and keyboard patterns as alternatives.

Note: Projects can be built under the “code|lab EDE” menu or under the “build” menu. Always use the “code|lab EDE” menu to perform Code|Lab project builds. Builds under the “build” menu invoke the Visual Studio C compiler.

1. On the main menu, select “code|lab EDE, Configuration”.
2. When the “code|lab EDE Configuration” window appears, click on each of the words in the left box. Notice that the rest of the window changes when you click on different parts of the menu tree. This is a typical feature of Code|Lab EDE for .NET.
3. Click on Toolsets.
4. Click on the drop-down arrow and select “RedHat GNU Tools for XScale”. The build tool paths now appear in the box and must be modified as stated below in bold. Note that the assembler and the linker are invoked by GCC.
 - a. “Compiler path: $\$(ToolDir)\BIN\XSCALE-ELF-GCC.EXE$ ”.
 - b. “Assembler path: $\$(ToolDir)\BIN\XSCALE-ELF-GCC.EXE$ ”.
 - c. “Linker path: $\$(ToolDir)\BIN\XSCALE-ELF-GCC.EXE$ ”.
 - d. “Librarian path: $\$(ToolDir)\BIN\XSCALE-ELF-AR.EXE$ ”.
5. In the left box, click on “Debugging, General”. When the checkboxes are available in your version, set all four debug options to “false”.
6. Click “Apply” and click “OK”.
7. On the main menu, click “code|lab EDE, Project Settings”.
8. When the “code|lab Project Settings” window appears, click on “C/C++/Assembler” in the left box. Use the drop-down arrow to select “C compiler” for “Build Tool”.
9. Edit the command line box at the bottom so that it contains the following:
`-v -Wall -specs=redboot.specs -gdwarf-2 -O0 -c -mcpu=xscale $\$(InputRelPath)$ -o $\$(OutDir)\$(InputName)\$(OutputExt)$`
10. Use the drop-down arrow to select “Assembler” for “Build Tool. Edit the command line box at the bottom so that it contains the following:
`-v -specs=redboot.specs -o $\$(OutDir)\$(InputName)\$(OutputExt)$ $\$(InputRelPath)$`
11. In the left box, click on “Linker”. Edit the command line box at the bottom so that it contains the following:
`-v -specs=redboot.specs -o $\$(OutDir)\$(ProjectName).elf$ $\$(ObjectFiles)$ $\$(Libraries)$`
12. Click “Apply” and then click “OK”.
13. In the “Solution Explorer” window, right click “Project80333” and select “Save Project80333”.

B.4 Flashing with JTAG

B.4.1 Overview

CodeLab and Raven are capable of reading from, writing to, and erasing the contents of the Flash on the evaluation board. The board comes with RedBoot loaded in the Flash. RedBoot is the RedHat debug monitor which initializes the board and has some debug and diagnostic functions. It is capable of serial communication with the console of a debug program or with Microsoft HyperTerminal, and it prepares the board for accepting an application program.

CodeLab invokes a Flash programmer written by Macraigor. More information on the Flash programmer is located at:

http://www.ocdemon.net/Merchant2/merchant.mv?Screen=CTGY&Store_Code=MTS&Category_Code=Software.

This Flash programmer only supports certain file formats: Intel Hex, Motorola srec and standard elf (executable and linking format). RedBoot.s19 and RedBoot.srec are both srec files.

Macraigor offers conversion tools to convert existing file types to a supported file type. These conversion tools are located at:

```
C:\MGC\codelab\codelab Debug\Macraigor\Flash Programmer
```

The ReadMe.txt file describes the conversions tools. BinToS19.exe converts binary files to srec files and MakeIntelHex.exe converts a.out files to Intel Hex files. When using the BinToS19.exe conversion tool, use 0x0 for the starting address. For example, at the CMD prompt in the directory where BinToS19.exe is located, the command line looks like this:

```
C:\MGC\codelab\codelab Debug\Macraigor\Flash Programmer>bintos19  
C:\temp\redboot_ROM.bin 0x0 c:\temp\redboot_ROM.s19
```

B.4.2 Using Flash Programmer

Note: The parallel port must be set to EPP mode or the Macraigor Raven does not work properly.

Download the RedBoot executable files from the following location:

http://developer.intel.com/design/intelxscale/dev_tools/021022/index.htm RedBoot Debug Monitor for the IQ80333.

1. Double click on the “Code|Lab Debug” icon on the desktop.
The Connection Window appears.
2. Select Macraigor JTAG Connect
 - a. Click Setup.
3. Select “ARM XScale”, correct LPT port, and “Raven” (do not press OK).
4. Click Additional Options..., check Enable Option, then press Configure
The Console Options windows now appears.
5. Console Port: (Set appropriately)
Baud Rate: 115200
Data Bits: 8
Parity: None
Stop Bits: 1
Then Press OK, OK, OK (this returns to the Connect window).
6. Now press Connect.
Assembly code now visible.
7. Select “Memory/Flash...”
The OCDemon Flash Memory Programmer window appears.
8. The Flash programmer needs a file which is architecture specific, in this case. In the Flash programmer window, select “File/Open”, then choose the file “XscaleIQ80333.oed” at:
“C:\MGC\Embedded\codelab\codelab Debug\Macraigor”.
9. Click the Program button.
10. Click Browse and “Files of type:” All Files, then choose the “redboot_ROM.srec” file
(downloaded and uncompressed from developer.com).
11. Check box “Erase Target Flash Sector(s) Before Programming”.
12. Click Program.
The Flash now programs and verifies; click Close when 100% complete.
13. Cycle power to the board to see that the LEDs on the board sequence “8.8.”, “A5”, “A6”, “S.L”, then “A1”.

This is the normal LED sequence of RedBoot. The board may need to be reset more than once. Explore the other features of the Flash programming window. The contents of the Flash can be erased, copied to a file on the host, and verified against a file on the host.

B.5 Debugging Out of Flash

JTAG debuggers can be used on two levels; with or without the source code. When the Flash is programmed, the debugger can monitor the executable code, halt it, step through it, and monitor the memory and registers. The executable code is disassembled so that the assembly code can be examined.

Debugging with source code allows the user to examine the C code that is being executed. This requires that the source code is available and linked by the debugger to the executable code that is running on the evaluation board.

B.6 Building an Executable File From Example Code

1. Launch Code|Lab EDE and open “Project80333”.
2. Select “code|lab EDE, Rebuild Project”.

Note: A project can have more than one solution, but in this example, there is only one solution for the project, so there is no difference between “Build Project” and “Build Solution” in this example.

Note: Rebuild cleans and builds. Clean deletes the old .o files in the project and build compiles, links, and produces the executable files.

3. When there are errors, carefully go back through [Section B.3.2, “Configuration”](#).

B.7 Running the Code|Lab Debugger

This section is provided to get the system up and running in the Code|Lab Debug environment, but it is not intended as a full-functional tutorial. Please refer to the MGC Code|Lab Debug Reference Manual for more detailed information.

B.7.1 Launching and Configuring Debugger

1. In EDE, click on the icon that looks like a red bug. The “Connect” window appears.
2. When not configured from [Section B.4.2, “Using Flash Programmer”](#), go to [Section B.4.2](#) and perform steps 2-5.
3. Press Connect to enter debug mode.
 - a. The Code|Lab Debug environment appears with the Assembly window open.

Note: Mouseovers are available for most of the toolbar icons. (Leave the mouse over the debug icons across the top on the toolbar to see a brief explanation of each.)

4. Click on the go icon and let RedBoot boot (takes a minute) until the RedBoot prompt “RedBoot>” appears in the Console window (click the Console tab at the bottom of the Debug window to view the Console window).
5. From the console window:
 - a. type “diag”.
 - b. hit “Enter”.

The RedBoot Diagnostic function is invoked.

Try out a few of the tests as desired.

6. Close the Debugger and EDE environment.
7. Reset the board (cycle power).

B.7.2 Manually Loading and Executing an Application Program

1. Launch the Code|Lab Debug Environment from the desktop icon.
2. Ensure “File.../Program Load Options/Load Executable and Symbols” is checked.
3. file, program load options, load executable and symbols.
 - a. Select “file, open program, browse”.
 - b. go find c:\<RedBoot downloaded Files>...\Test1LED\O\Test1LED.elf.
4. Hit Go (80, 3, 32, and 21 cycle on the LEDs).
5. Cycle power on the board.

B.7.3 Displaying Source Code

1. Launch the Code|Lab EDE Debugger and open the “Tester1LED” ELF program.

Note: Use the File/Recent Programs menu for quick access.

2. Select the “Files” view in the lower tab of the Workspace window.
3. Bring up “blink.c” and “led.c” source code by double-clicking each filename.
4. Use the “Windows” Menu to arrange the windows, or maximize, minimize, and resize manually as desired.
5. Press the “Mixed” tab at the bottom of the “blink.c” window. Notice that the assembly along with each C statement.
6. Press the “Source” tab to revert back to C code only.

B.7.4 Using Breakpoints

Note the small gray circles on the sidebar beside each line of source code. Single-click any of these gray circles and a red dot appears. The red dot represents a break point. Single-click the red dot to remove it, or click the “Remove all breakpoints” icon.

Place a breakpoint on the following lines of code in “blink.c”:

```
displayLED(leds[8],leds[0]); /* LED display '80' */  
displayLED(leds[0],leds[3]); /* LED display '03' */  
displayLED(leds[3],leds[2]); /* LED Display '32' */  
displayLED(leds[2],leds[1]); /* LED display '21' */  
displayLED(leds[16],leds[16]); /* LED display ' ' */
```

1. Click the “Go” icon.
The yellow arrow stops at the first break point and the HEX display does not change.
2. Click the “Go” icon again.
The last instruction has now been executed and an “80” is displayed.
3. Continue on in this fashion, watching the lines execute only as they are called, while the yellow arrow shows exactly what line is up next in execution.
4. Click the “Remove all breakpoints” icon.
5. Press “Go” again and notice that the program loop is infinite.
6. Press the “Halt” icon to stop execution.
7. Close the debugger and cycle power to the board.

B.7.5 Stepping Through the Code

The “led.c” file contains a function that is called from code in “blink.c”. This exercise steps through the code and utilizes a few of the most common step tools.

1. Launch the debugger, open TesterILED, and open the “blink.c” and “led.c” files.
2. Set a breakpoint on the following line in “blink.c”: `displayLED(leds[8],leds[0]); /* LED display '80'*/`
3. Press Go.
Program execution sit on the first breakpoint.
4. Press the “Step Over” icon and notice how execution jumps over the function call to the next line of execution.
5. Now try the “Step Into” icon and note that the pointer has now jumped into the function “displayLED”, which is located in the “led.c” file.
6. Press the “Step Over” icon again and watch the pointer advance within the function to the next executable line.
7. Now press the “Step Out of” icon and notice how execution leaves the called function and waits on the next executable line in “blink.c”.
8. The animate icon can also be used to provide a “Step Into” effect that occurs at a specified time interval (default of 1 second). This can be modified in the “Settings” section of the “View/Options” menu. Experiment with this as desired.
9. Use Halt to stop the animate mode before the next breakpoint.
10. Also note that Go can be pressed at any time to continue execution from the current line to the next breakpoint or program end.

B.7.6 Setting Code|Lab Debug Options

Besides the Animate debug time interval setting briefly mentioned in step 8 of the previous exercise, many useful options can be accessed from the “View/Options” menu.

1. Experiment here by bringing up the Registers window (click and change the view options between binary and decimal; for example).

Hint: Settings tab, Interface, Radix

2. Also try bringing up the Memory window (click) and change the number of columns between 4 and 2 and notice the changes.

Hint: Settings tab, Memory Window, Number of Columns

Note: Press window icons a second time to remove them from view.

Again, there are many features of the debug environment not discussed here. Please see the Code|Lab manuals for a full description of debug features.



B.8 Exploring the Code|Lab Debug Windows

This section discusses some basics of the debug environment. Some of these windows and concepts have been dealt with during previous exercises in this manual. However, many new windows are also discussed and basic interaction exercises are given. Begin this section by launching the Code|Lab Debugger environment and connection via the JTAG port.

B.8.1 Toolbar Icons

Placing the mouse arrow on any icon displays the text function of that icon. When the icon launches a special window (i.e., Watch, Memory, Call Trace, etc.), the icon brings that window up on the first click and removes the window when pressed again.

B.8.2 Workspace Window

Click on the Workspace icon. Click on the Files and Browse tabs and examine the contents. Note that there are more files than the original source files. When you double-click on the source files, `blink.c` and `led.c`, the source window appears for that file. When you double-click on an included file, the debugger is not be able to find the file.

B.8.3 Source Code

The source code windows are opened by double-clicking on the source files in the Workspace window under the files tab. Viewing of mixed Assembly and C code or C code only, is controlled by the tabs at the bottom of these windows.

B.8.4 4 Debug and Console Windows

The Debug window displays debugger activity messages while the Debug tab is displayed. Script commands can be entered manually at the top of the window. Serial output is displayed while the Console tab is active. Commands for the running application can be entered at the top of this window.

B.8.5 Memory Window

Click on the Memory window icon. Change the address at the top of the window to `0xffffe100` and click on the green arrow to the right (or press Enter). This changes the viewable starting address of the Memory window. The ATU header begins at `0xffffe100` and contains a known number (8086). Also look at the base and limit registers for the memory and Flash devices, at `0xffffe508` and `ffffe688` respectively, since they were initialized by RedBoot. Use the *Intel[®] 80333 I/O Processor Developer's Manual*, to see what the values mean.

Note: The tabs at the bottom allow the selection of two memory regions to observe.

B.8.6 Registers Window

Close all the active windows, then bring up the Registers window. Resize the this window and its columns to get a good view of all the registers. Notice that there is a Flags tab at the bottom of this window. This is useful for seeing the system flags defined by the CPSR. These are important especially during conditional code execution (see the *ARM Architecture Reference Manual* for more detail), but the flags are not changed during this exercise.

Click on the registers tab of the registers window and click the Animate icon. Notice how the register values change during program execution (red values are those that were modified during the last execution cycle). Click the Halt icon at any time, then try right clicking a register row and selecting “Go To Memory”. Notice how the Memory window is brought up and the address contained in that register is shown.

Click on the registers tab. Red means that the register value changed since the last fetch as opposed to black which represents no change. Register values can be manually changed in this window.

B.8.7 Watch Window

It is often useful during the debugging process to keep an eye on a few select program variables.

1. Open the Tester1LED Program and bring up “led.c”.
2. Click the “Watch” icon to bring up the Watch window.
3. Now add the “left” and “right” variables from “led.c” to the watch window.

Note: For each variable double click the variable name to highlight it, then drag it to the watch window.

4. Click the “Animate” icon and observe the changes.

Note: When focus goes back to the Assembly window during this process, try putting a breakpoint in led.c, then hit Go.

B.8.8 Variables Window

The Variables behaves very similarly to the Watch window, except that it shows all active variables. Bring up the Variables window, click Animate, and watch the changes.



B.9 Debugging Basics

B.9.1 Overview

Debuggers allow developers to interrogate application code by allowing program flow control, data observation, and data manipulation. The flow control functions include the ability to single-step through the code, step into functions, step over functions, and run to breakpoint (hardware or software). The data observation and manipulation functions include access to memory, registers, and variables. The combination of the flow control and data functions allows the developer to debug problems as they occur or to validate the application code. As the size of an application grows, the need to be able to narrow down the cause of a problem to a few lines of code is imperative.

Debuggers have a finite set of capabilities and limitations. Debuggers can give insight that is difficult to obtain without them, but they can fail when they are not used within the limits of their functionality. They are intrusive by definition. They are software programs that interact with software monitors or hardware (JTAG) to control a target program. Ultimately, the debugger works best when the developer understands what it can and can not do and uses it within those constraints.

B.9.2 Hardware and Software Breakpoints

The following section provides a brief overview of breakpoints. See the *Intel® 80333 I/O Processor Developer's Manual*, for more detailed information.

B.9.2.1 Software Breakpoints

Software breakpoints are setup and utilized via debugger utilities (such as Code|Lab). The abilities of software breakpoints were seen in [Section B.7](#) of this Guide. Program execution can be halted at a particular line of code, stepped through, and executed again to the next breakpoint via debuggers.

During this process, register values, memory address contents, variable contents, and many other useful pieces of information can be monitored.

B.9.2.2 Hardware Breakpoints

Hardware breakpoints step and breakpoint in code in either ROM or RAM without altering the code, stacks, or other target information. Hardware breakpoints handle difficult issues, by providing the ability to set the processor conditions that cause the program to halt. Use hardware breakpoints to locate problems such as reentrance, obscure timing, etc.

The 80333 contains two instruction breakpoint address registers (IBCR0 and IBCR1), one data breakpoint address register (DBR0), one configurable data mask/address register (DBR1), and one data breakpoint control register (DBCON). The 80333 also supports a 256 entry, trace buffer, that records program execution information. The registers to control the trace buffer are located in CP14.

B.9.3 Exceptions/Trapping

A debug exception causes the processor to re-direct execution to a debug event handling routine. The Intel® 80200 processor debug architecture defines the following debug exceptions:

- instruction breakpoint
- data breakpoint
- software breakpoint
- external debug break
- exception vector trap
- trace-buffer full break

When a debug exception occurs, the processor actions depend on whether the debug unit is configured for Halt mode or Monitor mode.



Free Manuals Download Website

<http://myh66.com>

<http://usermanuals.us>

<http://www.somanuals.com>

<http://www.4manuals.cc>

<http://www.manual-lib.com>

<http://www.404manual.com>

<http://www.luxmanual.com>

<http://aubethermostatmanual.com>

Golf course search by state

<http://golfingnear.com>

Email search by domain

<http://emailbydomain.com>

Auto manuals search

<http://auto.somanuals.com>

TV manuals search

<http://tv.somanuals.com>