



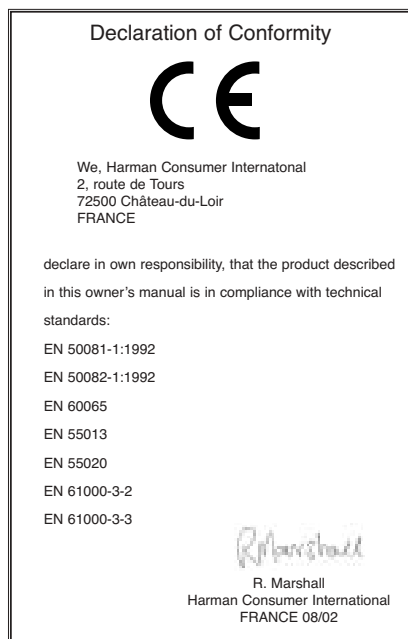
Oreus™ HOME CINEMA SYSTEM

Owner's Guide



Table of Contents

- 2 Table of Contents
- 2 This box contains
- 2 Introduction
- 2 Oreus Technology
- 2 Planning Your System
- 3 Placement
- 3 If you want to stand your speaker on a table
- 4 If you want to mount your speaker on the wall
- 5 Assembling the floor stand
- 6 Installing the Oreus Subwoofer
- 7 Subwoofer Placement
- 7 Speaker-Level Subwoofer Connection
- 8 Line-Level Subwoofer Connection
- 9 Operation
- 9 Acoustic Feedback + Troubleshooting
- 9 Specifications



About This Manual

To start enjoying your new Oreus HCS, read and then follow all instructions listed in this guide, as well as those found in the owner's manuals of associated components in your audio system. Save all instructions for future reference.

TECHNOLOGY

Oreus loudspeakers incorporate several innovative technologies that, when implemented by our exceptionally talented engineers after hours upon hours of subjective listening evaluations, result in a loudspeaker that realistically and accurately reproduces the signal source with minimal distortion and coloration.

Ceramic Metal Matrix Diaphragms™ (C.M.M.D.)

For decades, loudspeaker engineers have known that the ideal transducer should be stiff, yet light, and have high internal damping (damping is a material's ability to absorb energy). Infinity's C.M.M.D. transducer is a significant advance in transducer technology. Ceramic, a class of material new to loudspeakers, offers better performance than other materials. Ceramic is stiffer than metals and lighter than plastics and typical composite materials; it also offers improved damping. These ceramic-based transducers take us a giant step closer to the ever-elusive "ideal transducer."

In woofer and midrange applications, it offers accurate pistonic operation over the entire frequency range of the driver, completely eliminating coloration due to cone breakup and dramatically reducing distortion. And when ceramic-metal-matrix transducers are exposed to moisture, sunlight or extreme temperatures, their performance does not deteriorate.

In addition to ceramic diaphragms, the transducers in Oreus satellite and center channel speakers incorporate full magnetic shielding to allow use in close proximity to tv receivers and video monitors.

PLANNING YOUR SYSTEM

Before deciding where to best place your speakers, survey your room and study Figure 1.

THIS BOX CONTAINS

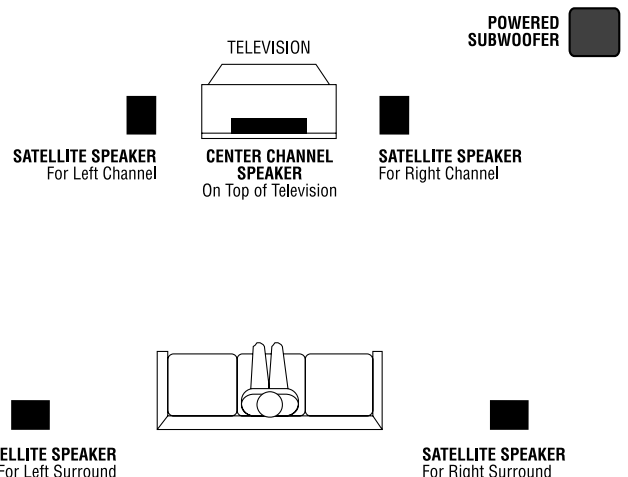
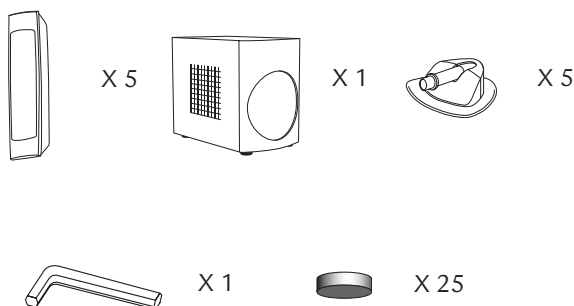


FIGURE 1- In this overhead view of a typical installation, satellite speakers are used to reproduce sound for the front and surround channels. The center channel reproduces sound and dialog. The powered subwoofer provides extended bass for effects and music.

IF YOU WANT TO STAND YOUR SPEAKER ON TABLE

PLACEMENT

NOTE:

The satellite speakers can be placed directly on a shelf, or mounted on a wall using the built-in base/bracket.

CAUTION:

The rubber feet can under certain conditions smudge or discolor light colored and delicate surfaces. Please place a protective mat or coaster under the rubber feet to prevent marking or discoloration.

For front left and right channels

For front left and right channels, place one satellite to the left and another to the right of the television, as shown in Figure 1. Since the speakers are magnetically shielded, you can place them very close to the TV without worrying about the magnetic field distorting the picture.

Center Channel

For the center channel, place the speaker directly on top of, or below, your television. Use a shelf, if the television does not provide a stable platform.

Surround Channel

For surround left and right channels, place one speaker on the left and another on the right, to the sides of or behind the listening area.

Subwoofer

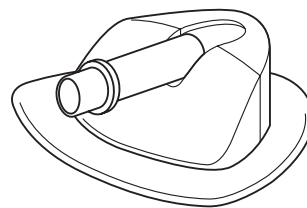
Since the installation of a subwoofer can be somewhat more complicated than installing full-range speakers, it is essential that you read this section very carefully prior to connecting the subwoofer to your system. Should you have questions relating to installation, it is advisable to call your Infinity dealer for advice.

The performance of the subwoofer is directly related to its placement in the listening room and how you align the subwoofer with the satellite speakers. Setting the volume of the subwoofer in relation to the left and right speakers is also of critical importance because it is essential that the subwoofer integrate smoothly with the entire system. Setting the subwoofer's volume level too high will result in an overpowering, boomy bass. Setting the volume level too low will negate the benefits of the subwoofer.

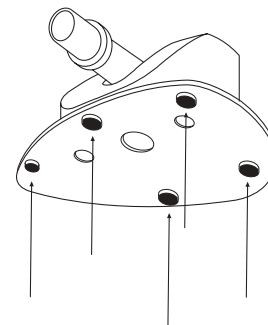
Here are several additional facts on installation that may prove useful. It is generally believed that low frequencies (below 125Hz) are nondirectional and, therefore, placement of a subwoofer within any listening room is not critical. While in theory it is true that the larger wavelengths of extremely low frequencies are basically non-directional, the fact is that, when installing a subwoofer within the limited confines of a room, reflections, standing waves and absorptions generated within the room will strongly influence the performance of any subwoofer system. As a result, specific location of the subwoofer becomes important, and we strongly recommend that you experiment with placement before choosing a final location. Placement will depend upon your room (for example, whether or not your room permits placement of the subwoofer near either satellite) and the amount and quality of bass required.

Feed speaker cable through the foot

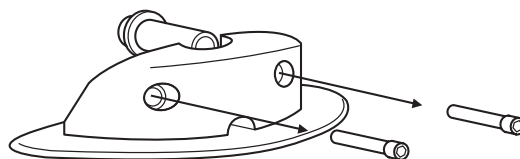
1. The foot supplied with your Oreus satellites and center channel is supplied assembled.



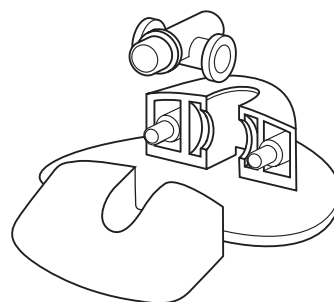
2. Fit the five self-adhesive rubber feet to the foot.



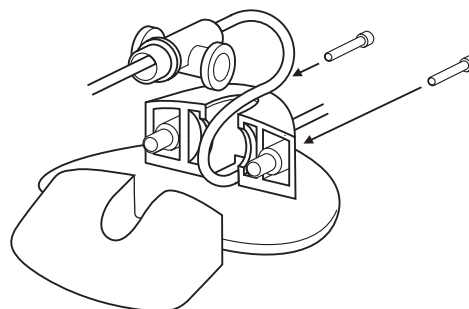
3. Remove the two fixing screws and lift the pivot cover plate off the foot. Use the hex key supplied to loosen the screws.



4. Lift out the pivot.



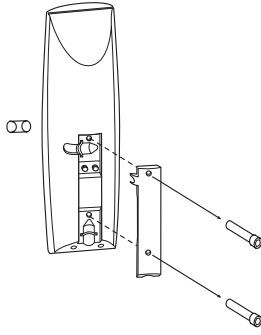
5. Feed the speaker cable through the rear cable-entry hole in the base and then through the pivot.



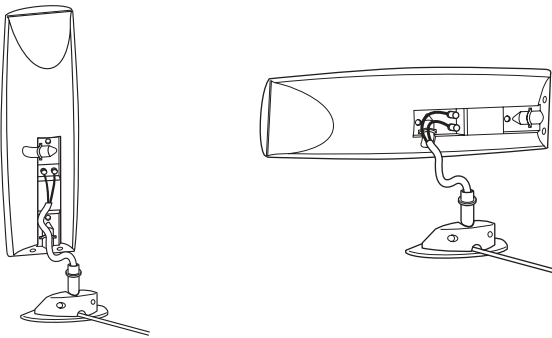
6. Put the pivot back into place. Re-fit the cover plate and replace the two fixing screws. Do not fully tighten the screws at this stage because you will need to rotate the pivot later in the assembly procedure to angle your speakers correctly.

Attach the foot to the speaker

1. Remove the two screws and take off the rear cover plate from the speaker. Use the hex key supplied to loosen the screws.



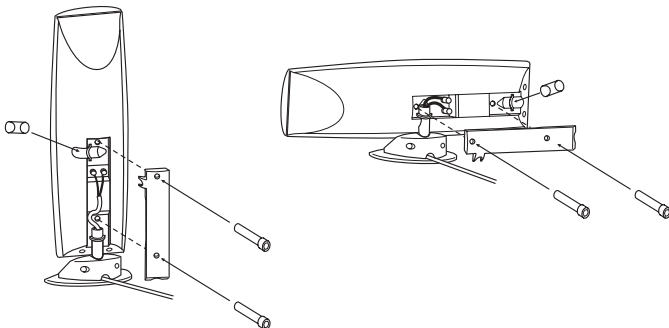
2. The foot can be attached to the speaker at two different positions. The first position allows the speaker to be used vertically (normal for satellites), while the second allows it to be used horizontally (normal for the center channel). Note the blanking plug which fills the unused pivot hole on the rear of the speaker.



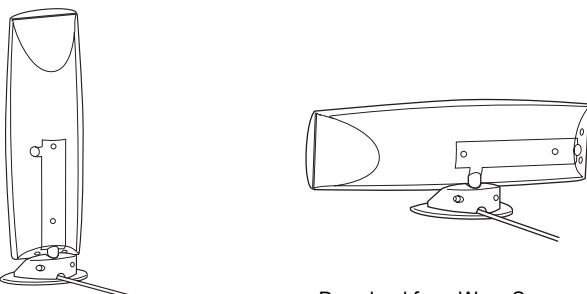
3. Connect the cable to the speaker terminals. Observe correct polarity. Speaker cable is usually colour-coded (red or white for positive) or provided with an identifying stripe or rib on the positive conductor. Connect the positive conductor to the red speaker terminal.

4. Insert the pivot into one or other of the two pivot holes in the speaker, depending on whether you wish to use the speaker vertically or horizontally.

5. Fit the blanking plug into the unused pivot hole. Re-fit the rear cover on the speaker and tighten the fixing screws.

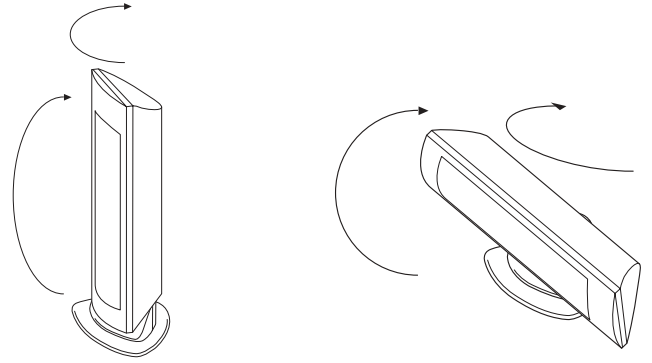


6. Your speaker should now look like this.



Adjust the angle of your speaker

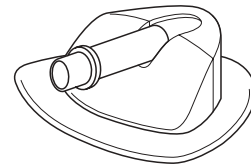
1. You can tilt your speaker up or down on its foot and you can also rotate it. If you experience difficulty tilting or rotating your speaker, try loosening the fixing screws for the pivot cover plate on the foot.



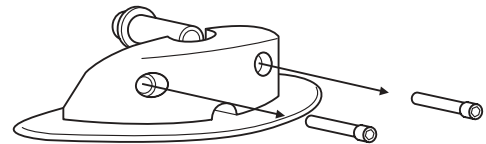
IF YOU WANT TO MOUNT YOUR SPEAKER ON THE WALL

Feed speaker cable through the foot

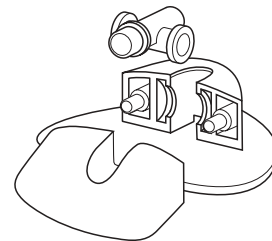
1. The foot supplied with your Oreus satellites and center channel can also be used as a wall bracket. The foot is supplied assembled.



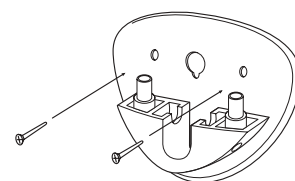
2. Remove the two fixing screws and lift the pivot cover plate off the foot. Use the hex key supplied to loosen the screws.



3. Lift out the pivot.



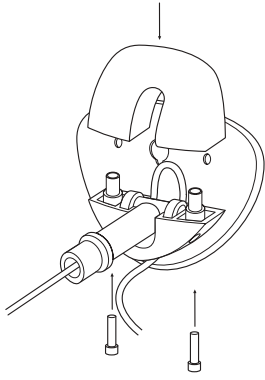
4. Attach the base to the wall using suitable screws.



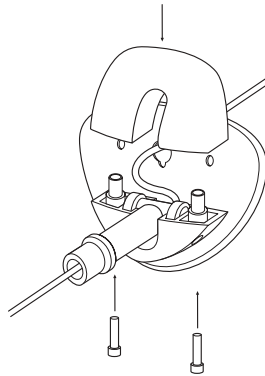
5. CAUTION:

please remember that your Oreus speakers are heavy and must be adequately secured to the wall to avoid the risk of injury being caused should they fall. Use longer fixing screws and suitable wall

6. Feed the speaker cable through the cable-entry hole in the base and then through the pivot.



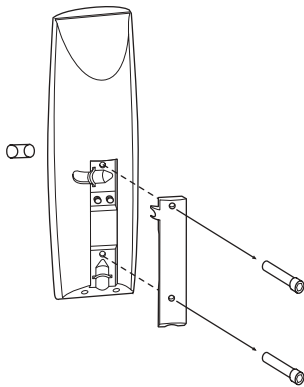
7. If you want to hide the speaker cables in the wall you can use the cable entry hole in the underside of the base.



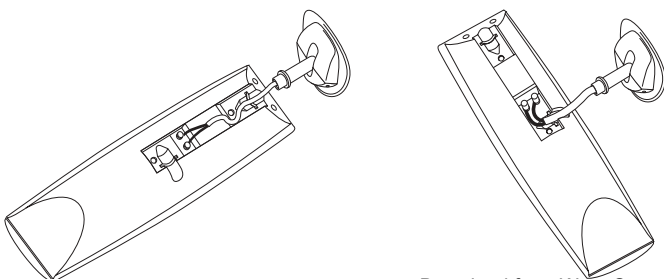
8. Put the pivot back into place. Re-fit the cover plate and replace the two fixing screws. Do not fully tighten the screws at this stage because you will need to rotate the pivot later in the assembly procedure to angle your speakers correctly.

Attach the foot to the speaker

1. Remove the two screws and take off the rear cover plate from the the speaker. Use the hex key supplied to loosen the screws.



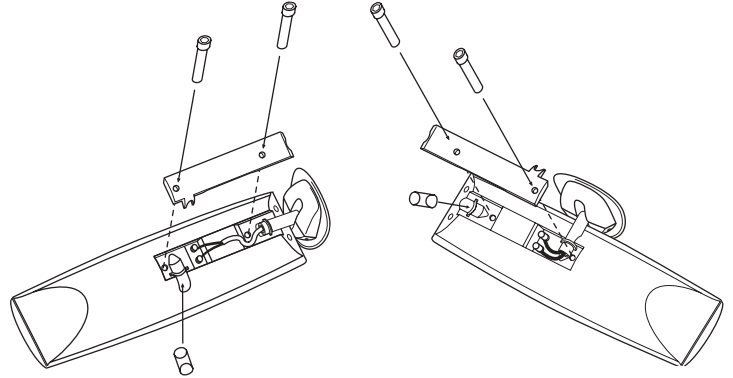
2. The foot can be attached to the speaker at two different positions. The first position allows the speaker to be used vertically (normal for satellites), while the second allows it to be used horizontally (normal for the center channel). Note the blanking plug which fills the unused pivot hole on the rear of the speaker.



3. Connect the cable to the speaker terminals. Observe correct polarity. Speaker cable is usually colour-coded (red or white for positive) or provided with an identifying stripe or rib on the positive conductor. Connect the positive conductor to the red speaker terminal.

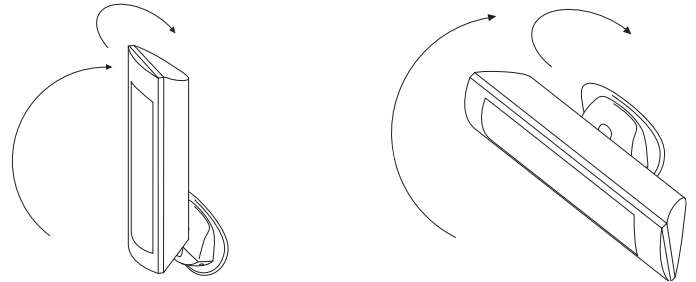
4. Insert the pivot into one or other of the two pivot holes in the speaker, depending on whether you wish to use the speaker vertically or horizontally.

5. Fit the blanking plug into the unused pivot location hole and then re-fit the rear cover on the speaker. Tighten the fixing screws.



Adjust the angle of your speaker

1. You can tilt your speaker up or down on its foot and you can also rotate it. If you experience difficulty tilting or rotating your speaker, try loosening the fixing screws for the pivot cover plate on the foot.

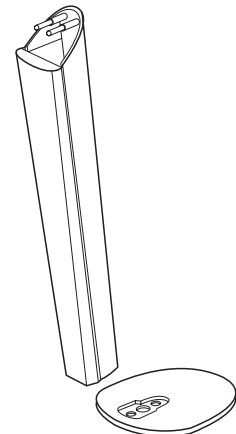


2. Once you have adjusted your speaker the way you want it, fully tighten the fixing screws of the pivot cover plate on the foot. This will hold your chosen adjustment

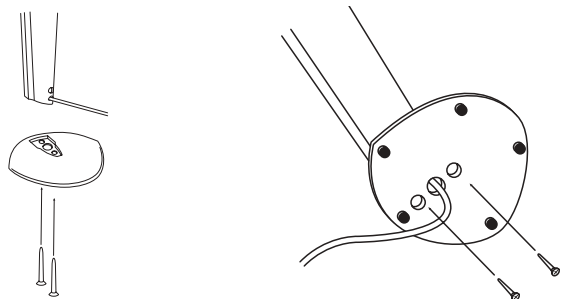
ASSEMBLING THE FLOORSTAND

Assembling the stand

1. The Oreus stand is supplied with the base detached from the column.



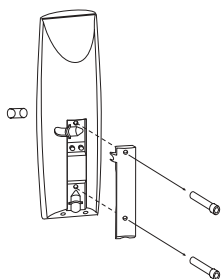
2. Feed your speaker cable through the stand column. The cable can exit through the hole at the bottom rear of the stand column or it can exit through the hole in the stand base.



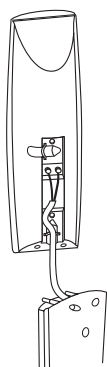
3. Secure the stand base to the column and tighten the two fixing screws. Use the hex key provided.

Attaching the stand to the speaker

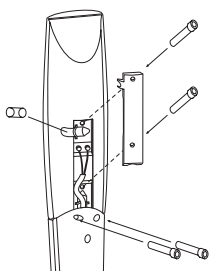
1. Remove the two screws and take off the rear cover plate from the speaker. Use the hex key supplied to loosen the screws. Note the blanking plug which fills the unused pivot hole on the rear of the speaker.



2. Connect the cable to the speaker terminals. Observe correct polarity. Speaker cable is usually colour-coded (red or white for positive) or provided with an identifying stripe or rib on the positive conductor. Connect the positive conductor to the red speaker terminal.



3. Attach the speaker to the stand and tighten the two fixing screws. Use the hex key supplied.



4. Fit the blanking plug into the unused foot pivot location and then re-fit the rear cover on the speaker and tighten the fixing screws.

5. Your speaker should now look like this.



INSTALLING THE OREUS SUBWOOFER

The rear panel metal plate acts as a heatsink for the subwoofer's internal amplifier. There should be at least 10 cm of free space around the heatsink for air circulation. Do not place pillows or other objects against it.

We recommend placing the subwoofer at least 2 to 3 feet away from a television or a computer's disc-drive system to prevent smearing the colors of the TV picture or erasing of the magnetic drive.

Placement will depend upon your room and the amount and quality of bass required (for example, whether or not your room permits placement of the subwoofer near one of the front satellites).

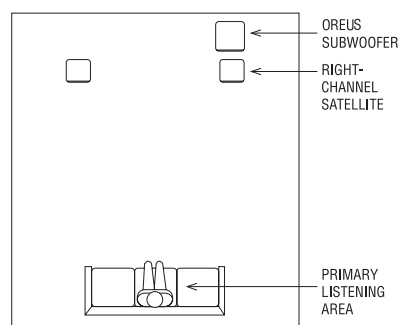
Careful experimentation will enable you to determine the best position for the subwoofer. See suggestions on next page.

CAUTION:

The subwoofer's rubber feet can under certain conditions smudge or discolor light colored and delicate surfaces. Please place a protective mat or coaster under the rubber feet to prevent marking or discoloration.

SUBWOOFER PLACEMENT

This view shows the subwoofer positioned behind the right channel satellite speaker to re-create the actual location of bass instruments in an orchestra.



Here are some useful hints:

- If the bass response seems inadequate, move the subwoofer closer to a wall or corner.

- If the bass is too heavy, try moving the subwoofer further from the wall. It will take time and patience to find the most pleasing acoustic location for your subwoofer. Testing for sonic balance and blending should always be made for your normal listening position, using a wide range of source material. As a starting point, initially place the subwoofer behind your right channel satellite speaker, about 3 or 4 inches from the wall. We suggest trying this location first because in an orchestra, the bass instruments are usually located in the back and to the right.

SPEAKER-LEVEL SUBWOOFER CONNECTIONS

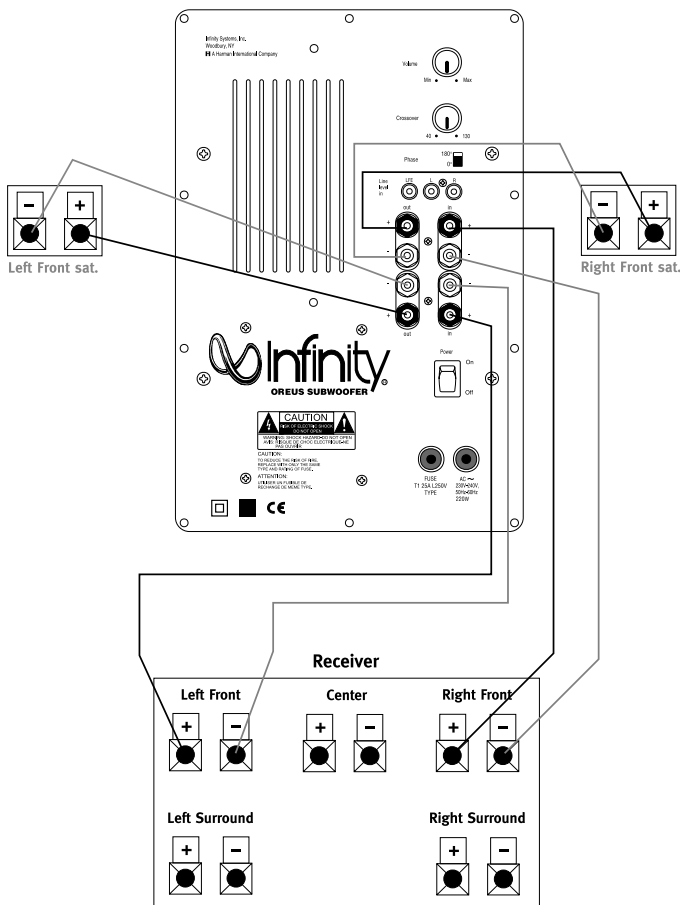


Connection tips

Separate and strip the ends of the speaker wire as shown. Speakers and amplifiers/receivers have corresponding (+) and (-) terminals.

The (+) lead of the speaker wire is noted with a stripe. It is important to connect all the speakers identically: (+) on the speaker to (+) on the amplifier and (-) on the speaker to (-) on the amplifier.

Wiring "out of phase" results in thin sound, weak bass and a poor stereo image.



Use Speaker-level connection only if your surround receiver does not have line-level subwoofer or LFE outputs. If a line-level connection is available, go to the next page.

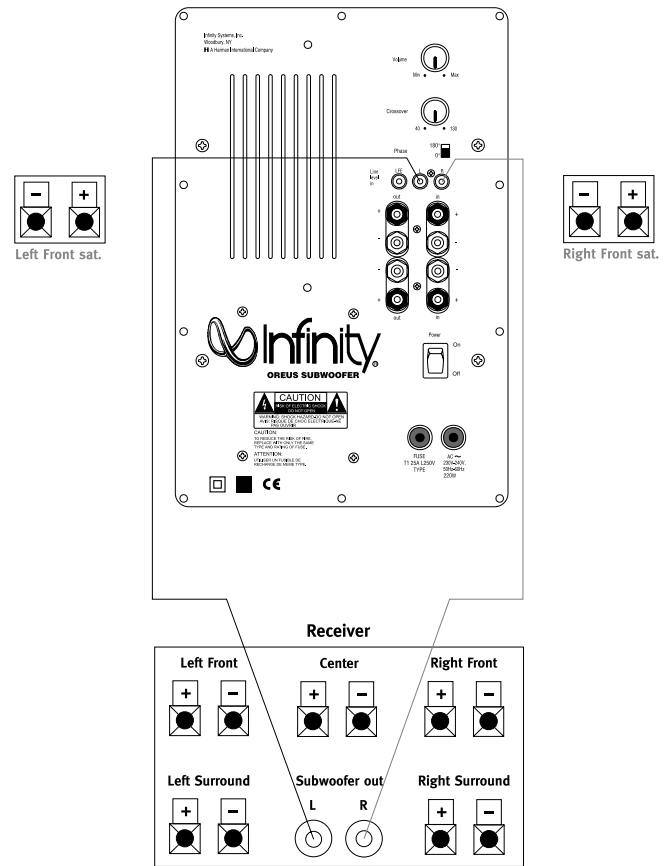
For speaker-level connection, connect loudspeaker cable from the front left and right loudspeaker outputs of your amplifier/receiver to the corresponding left and right IN terminals on the subwoofer.

Then, connect loudspeaker cable from left and right loudspeaker OUT on the subwoofer to the corresponding input terminals on the front left and right loudspeakers.

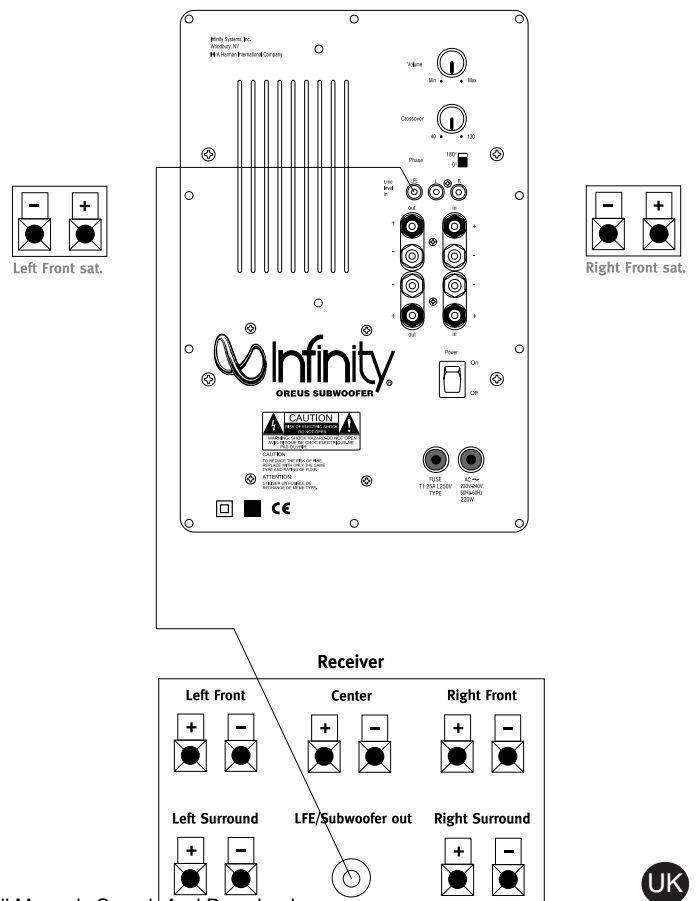
Connect the remaining loudspeakers directly to the receiver. In the surround processor set-up menu, the Left/ Right front speakers must be selected as "Large." All other loudspeakers must be selected as small.

LINE-LEVEL SUBWOOFER CONNECTION

If your receiver has a pair of stereo subwoofer outputs, connect interconnect cable from the receiver's left and right subwoofer outputs to the corresponding inputs marked LINE LEVEL IN L and R on the subwoofer.



If your receiver has a single subwoofer output or a dedicated LFE output, connect interconnect cable from this output to the LFE input on the subwoofer.



With LFE Connection

If you are using the LFE input, the subwoofer's CROSSOVER control is NOT active, because this function is controlled by your surround processor.

When using the LFE input, set the subwoofer's VOLUME control to "Max" and calibrate the subwoofer level along with the other speakers according to the set-up instructions in the owner's manual for your surround receiver/amplifier.

Other Connections

If you are using any other connection method, start with the subwoofer VOLUME control in the "9 o'clock" position and the CROSSOVER in the 12 o'clock position.

To fine-tune the subwoofer's volume and crossover frequency settings, listen to familiar material with powerful bass at a typical listening level.

Bass response should not overpower the room, but instead contribute to a harmonious blend across the entire musical range.

Many users have a tendency to set the subwoofer volume and crossover too high, believing that a subwoofer is there to produce lots of boom and shake the room to make its presence felt.

This is not entirely true. A subwoofer is there to enhance bass, extending the response of the entire system so that bass can be felt as well as heard.

However, overall balance must be maintained; otherwise, the music will not sound natural.

An experienced listener will set the volume and crossover of the subwoofer so that its impact on bass response is always there, but is never obtrusive.

Phase Control

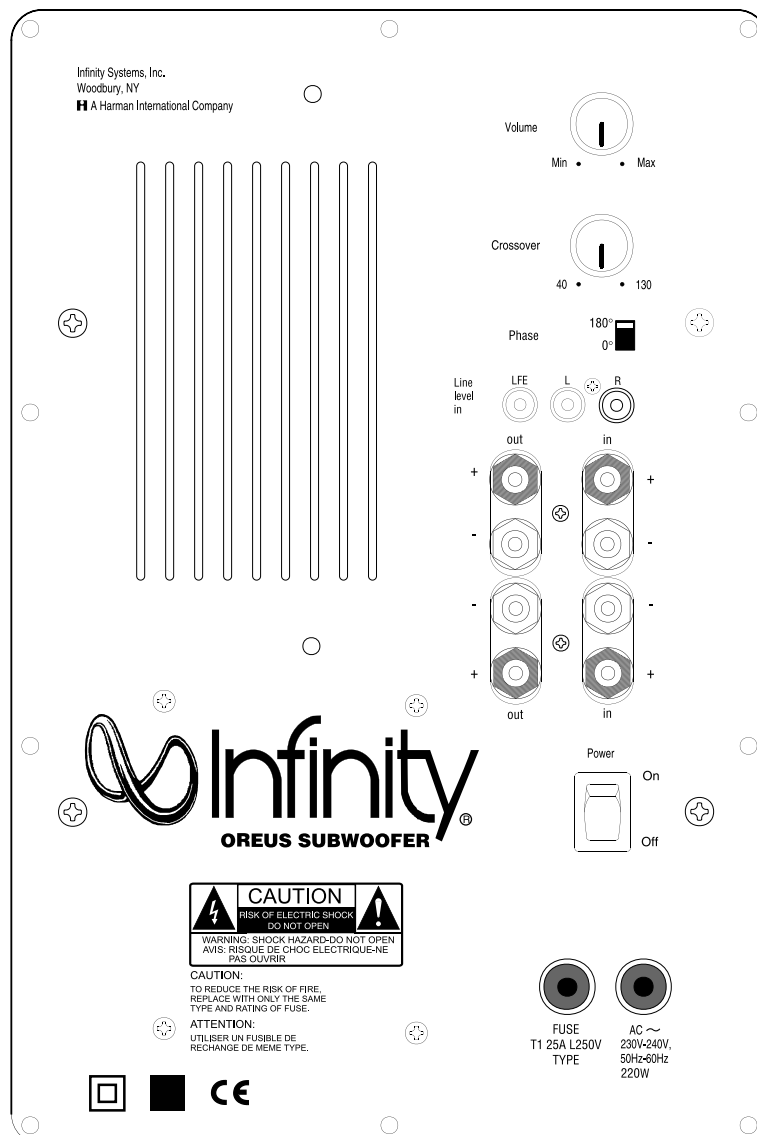
The proper adjustment of the subwoofer's rear panel phase switch for your system depends on several variables such as room size, subwoofer placement and listener position.

Listen to a familiar selection with powerful bass at a typical listening level, while occasionally changing the position of the phase switch.

The position which provides maximum bass output at your listening position is the correct position.

Auto-On Signal Sensing

The Oreus Subwoofer incorporates automatic signal-sensing circuitry which turns the subwoofer on instantly when an audio signal is present. When a signal has not been detected for approximately 1.5 minutes, the subwoofer automatically goes into standby mode.



ACOUSTIC FEEDBACK

If the bass seems boomy, or you notice a rumbling sound when listening to record albums, the cause may be acoustic feedback. This means that low-frequency vibrations from your speakers are reaching the turntable. To help isolate the turntable from these vibrations, place the turntable on a heavy, solid support, as far away as possible from the subwoofer. If you continue to experience difficulties after experimenting with placement, consult your Infinity dealer.

Important!

CD/DVD players are also susceptible to vibrations and should be placed on solid supports to isolate them acoustically. Another method to isolate the CD/DVD player is to place it on four isolation feet, available at your local dealer.

TROUBLESHOOTING

If the subwoofer sound is distorted, stops playing or otherwise seems to be malfunctioning, first determine if the problem is in the subwoofer or the wiring and/or other audio components. If the problem also affects the satellite speakers, the cause is most likely in your electronics. If it is only noticed in the subwoofer, make sure that all connecting cables are correct and in proper working condition. Make sure the subwoofer is plugged in and turned on.

Important!

If everything seems to be in good working order and the subwoofer still malfunctions, **DO NOT ATTEMPT ANY REPAIRS!** Contact your Infinity dealer and get the name of the authorized Infinity service center near you.

SPECIFICATIONS

Oreus HCS

Frequency Response:	Satellite 95 Hz – 22 KHz (±3dB)
Recommended Amplifier:	25 – 100 Watts
Sensitivity: (2.83V @ 1 meter)	85 dB
Crossover Frequency:	3,5 KHz, 12 dB/Octave
LF Drive Unit:	Dual 80 mm CMMD, magnetically shielded
Tweeter:	10 mm, magnetically shielded
Satellite, Dimensions (H x W x D):	Shelf position 362 x 120 x 106mm Wall position 386 x 120 x 97mm Stand position 811 x 200 x 170mm
Center, Dimensions (H x W x D):	Shelf position 122 x 350 x 106mm Wall position 146 x 350 x 97mm
Finish:	Silver gray
Weight (Unit):	2,5 kg

Oreus Subwoofer

Drive Unit:	1 active 210 mm, 2 x 210 mm ABR
Amplifier Output:	100 Watts
Crossover Frequency:	Variable 50 - 150 Hz
Dimensions (H x W x D):	367 x 251 x 445 mm
Finish:	Silver gray
Weight (Unit):	15,9 kg

Infinity continually strives to update and improve existing products, as well as create new ones. The specifications and construction details in this and related Infinity publications are therefore subject to change without notice.

Free Manuals Download Website

<http://myh66.com>

<http://usermanuals.us>

<http://www.somanuals.com>

<http://www.4manuals.cc>

<http://www.manual-lib.com>

<http://www.404manual.com>

<http://www.luxmanual.com>

<http://aubethermostatmanual.com>

Golf course search by state

<http://golfingnear.com>

Email search by domain

<http://emailbydomain.com>

Auto manuals search

<http://auto.somanuals.com>

TV manuals search

<http://tv.somanuals.com>