

IMPORTANT:
Read Before Using

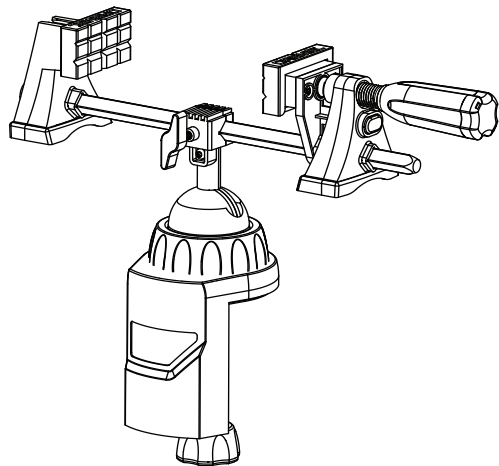
IMPORTANT :
Lire avant usage

IMPORTANTE:
Leer antes de usar



Operating/Safety Instructions
Consignes de fonctionnement/sécurité
Instrucciones de funcionamiento y seguridad

2500



DREMEL®

P.O. Box 1468 Racine, Wisconsin 53401

**Call Toll Free for
Consumer Information
& Service Locations**

**Pour obtenir des informations
et les adresses de nos centres
de service après-vente,
appelez ce numéro gratuit**

**Llame gratis para
obtener información
para el consumidor y
ubicaciones de servicio**

1-800-4-DREMEL (1-800-437-3635) www.dremel.com

**For English Version
See page 2**

**Version française
Voir page 9**

**Versión en español
Ver la página 16**

Safety Rules for Portable Vise

Securely fasten vise to a stable platform or workbench. During operation unstable platforms or workbenches may shift or tip causing loss of control and injury.

Wear eye protection and dust mask. Use only in a well-ventilated area. Using personal safety devices and working in a safe environment reduces risk of injury.

Always make sure workpieces are free from nails and other foreign objects. Cutting into a nail will damage the bit and can cause the workpiece to jump, resulting in loss of control.

Before operation, secure the workpiece between the vise jaws. Clamping the workpiece allows you to use both hands to control the tool. Properly securing the workpiece will prevent it from becoming loose.

Use the "V" grooves molded into the jaws for supporting round stock such as tubes or rods when drilling. Round material such as dowel rods, pipes or tubing have a tendency to roll while being cut, and may cause the bit to "bite" or the workpiece to jump toward you.

Securely fasten tool in the tool holder before operating. If tool loosens during operation it will tend to work away from the tool holder and the tool may fall out while bit is still spinning.

Know how to shut off the tool! Position the tool so the switch is readily accessible to quickly shut off the tool in an emergency.

Route the cord away from the bit or the cutting area. Cutting into live electrical wires may result in a shock, burn, or electrocution.

Do not wear gloves, neckties, or loose clothing during operation of the tool. Tie back long hair or use a hair net. Clothing or hair can become caught in the spinning bit and injury may occur.

Match the appropriate bit and its speed to your application. Do not use bits that have a cutting diameter that exceed the capacity of the tool. Overloading the tool can lead to personal injury or tool failure.

Never use dull or damaged bits. Sharp bits must be handled with care. Damaged bits

can snap during use. Dull bits require more force to push the workpiece, possibly causing the bit to break.

When using the tool holder adapter, you must set and lock the vise base prior to turning on the tool. Bring the workpiece to the tool and allow for sufficient space, at least 150mm (6"), between your hand and the spinning bit. Contact with the spinning bit will cause injury. The tool holder adapter was designed to be used in conjunction with the portable vise base for sanding, brushing, polishing, or grinding applications. Other applications may present hazards that cannot be adequately guarded.

If the side of any rotating accessory is used to perform the work, for example a sanding drum, the workpiece must be positioned on the side of the accessory that rotates against the feed direction of the workpiece. Placing the workpiece on the side of the accessory where the feed direction and accessory rotation are the same may cause the workpiece to be pulled by the rotating accessory and lead to loss of control during operation.

Never start the tool when the bit is engaged in the material. The bit cutting edge may grab the material causing loss of control of the workpiece.

⚠ WARNING Some dust created by power sanding, sawing, grinding, drilling, and other construction activities contains chemicals known to cause cancer, birth defects or other reproductive harm. Some examples of these chemicals are:

- Lead from lead-based paints,
- Crystalline silica from bricks and cement and other masonry products, and
- Arsenic and chromium from chemically treated lumber.

Your risk from these exposures varies, depending on how often you do this type of work. To reduce your exposure to these chemicals: work in a well ventilated area, and work with approved safety equipment, such as those dust masks that are specially designed to filter out microscopic particles.

After changing the bits or making any other adjustments, make sure the collet nut and any other adjustment devices are securely tightened. Loose adjustment of the tool can cause it to unexpectedly shift, causing loss of control, and loose rotating components will be violently thrown.

Never touch the bit during or immediately after use. Contact with the bit will cause injury and after use the bit is too hot to be touched by bare hands.

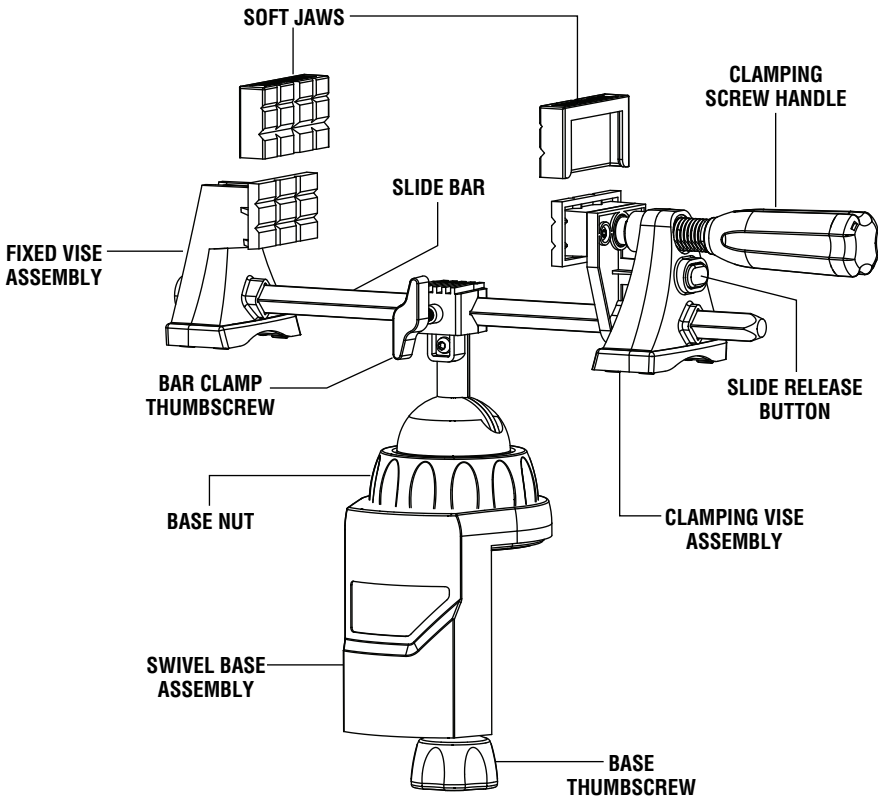
Do not leave a running tool unattended; turn power off prior to leaving. Only when the tool comes to a complete stop is it safe to remove the tool.

THINK SAFETY! Safety is a combination of operator COMMON SENSE and ALERTNESS at all times when the tool is being used.

Getting to Know Your Vise

Dremel Multi-Vise™

FIG. 1



Accessories Included:

1. Tool Holder Adapter
2. Union Nut
3. Wrench

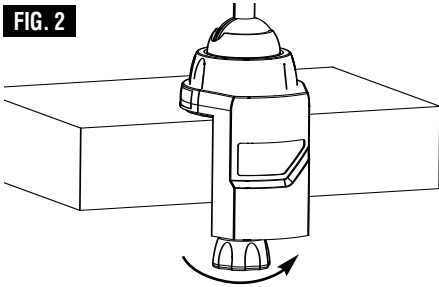
Vise Assembly

Place the swivel base assembly on the work surface. The Dremel Multi-Vise™ can be used on work surfaces up to 2-1/2" thick. Prior to tightening the base assembly to the work surface, make sure the entire surface of the base assembly is completely on the work surface. Secure the base assembly to the work surface by turning the base thumbscrew to the right (Fig. 2). **Be careful not to over tighten the thumbscrew.**

⚠ WARNING Overtightening the thumb screw may cause an unstable platform which may result in loss of control and injury.

Once the base assembly is secured, remove the rubber cap from the end of the slide bar.

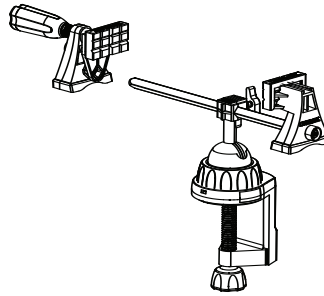
FIG. 2



The cap was used to secure the vise during transportation and is not needed for operation.

After removing the rubber cap, place the fixed vise assembly & slide bar through the diamond-shaped hole in the top of the ball socket. After the slide bar is through the hole, place the Clamping Assembly on the open end of the slide bar and slide it over. **The clamping assembly contains a locking-mechanism that prevent the assembly from sliding off of the rod unless the quick-release button is engaged.** Finally, tighten the bar clamp thumbscrew to lock the slide bar in place. Be careful not to over tighten the thumbscrew. Your vise is now ready for use (Fig. 3).

FIG. 3



Vise Operation

SECURING THE WORKPIECE

Once the vise is assembled, place your workpiece between the vise jaws and slide the clamping assembly over until the jaws hold the workpiece. Un-tighten the bar clamp thumbscrew and slide the clamping bar until the workpiece is balanced equally above the base assembly. Re-tighten thumbscrew (Fig. 4).

Once the slide bar is locked in place, use the clamping screw handle to apply pressure to the workpiece and secure it. Be careful not to over tighten the jaws as this may damage the workpiece. Soft jaws are provided to secure delicate objects.

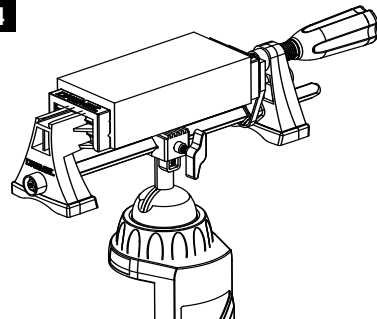
⚠ WARNING Off-balance operation may result in loss of control and injury.

ROTATING AND TILTING THE VISE

After the vise is secured to the work surface and the work piece is secured in the jaws of

the vise, hold the fixed jaw assembly securely and turn the base nut counterclockwise until the vise assembly moves freely. Move the vise assembly to the desired position and turn the base nut clockwise, by hand, until the vise assembly is secure. The vise will rotate 360° and tilt to each side 50°. **DO NOT USE WRENCH TO TIGHTEN.**

FIG. 4



USE OF “V-GROOVES”

Both the soft jaws and regular jaws have “V-Grooves” molded into their faces that allow round and irregular objects to be held securely. To hold a round or irregularly shaped object securely, place the object in either the horizontal or vertical v-grooves (depending on which position you wish to hold your work). Slide the jaws together until the object is held in place. Turn the clamping screw handle to secure the object and apply pressure. Be careful not to over tighten.

⚠ WARNING Do not attempt to solder materials together using

this vise. The clamped materials may cause the clamps to soften and lose mechanical clamping integrity.

REMOVING OBJECTS FROM THE VISE JAWS

In order to remove objects which are clamped in the vise jaws, start by turning the clamping handle screw counterclockwise to reduce the pressure on the object. While holding the object with one hand, depress the quick release button below the clamping handle screw and slide the vise jaw away from the object.

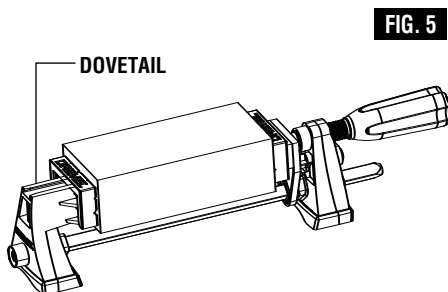
Bar Clamp Operation

The vise assembly of the Dremel Multi-Vise™ can also be used as a stand alone bar clamp. To remove the bar clamp from the base assembly, depress the quick release button and remove the jaw from the slide bar. Loosen the bar clamp thumbscrew and remove the slide bar from the base assembly. The vise can now be used as a bar clamp to either hold objects to a work surface or as a free-stand clamp (Fig. 5).

DOVETAIL FEATURE

The fixed jaw of the vise includes a dovetail feature on the fixed jaw assembly that allows you to use current Dremel attachments, such as the FlexLite™ and Magnifier Light, as well

as future attachments that have dovetail adapters (Fig. 5).



Tool Holder Operation

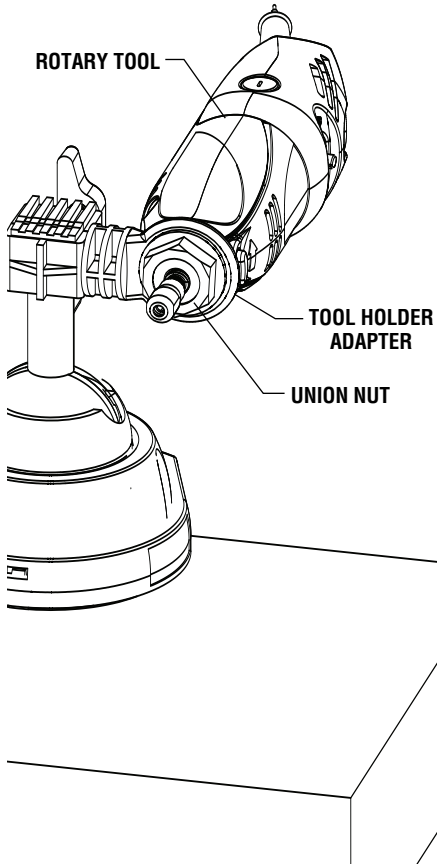
TOOL HOLDER ATTACHMENT FOR USE WITH DREMEL ROTARY TOOL MODELS 275, 285, 395, 300 SERIES, 398, 400 SERIES, 780, AND 800.

The Dremel Multi-Vise™ includes a tool holder adapter that turns your vise into a stationary tool holder for sanding, polishing, grinding, and brushing.

1. Remove clamping vise assembly and fixed vise assembly from swivel base.

2. Insert the tool holder adapter into the stem of the base assembly. Tighten the bar clamp thumbscrew until the tool holder adapter is securely locked in the stem.

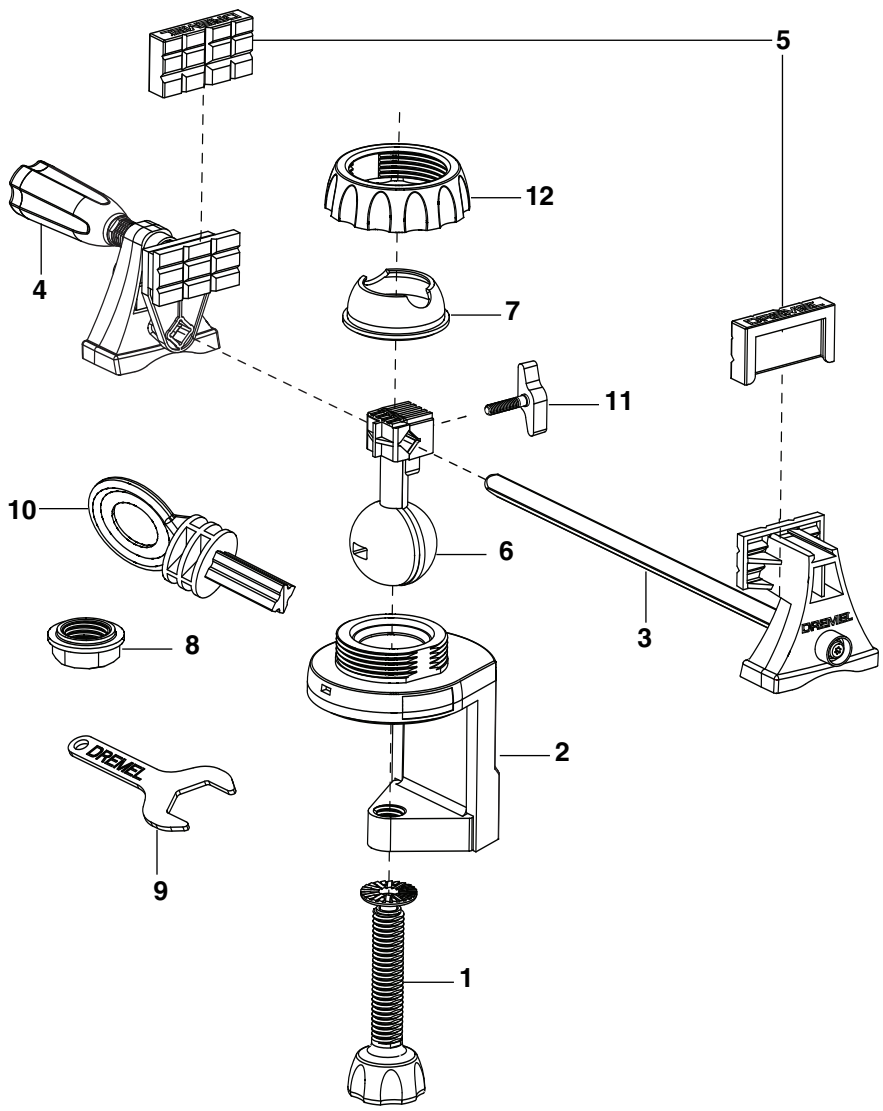
⚠ WARNING Be sure to position the output shaft of the rotary tool is on the opposite side of the thumbscrew (Fig. 6). Failure to position the tool in this manner could cause objects to be lodged between the thumbscrew and the rotary tool bit resulting in injury.

FIG. 6

Note: The accessories are held in the tool by a collet system. The accessory may be installed before or after the rotary tool is installed in the tool holder.

1. With the tool unplugged and in the off position, remove the nose cap from your rotary tool to expose the threaded nose. Depress and hold the shaft lock button while rotating the collet nut and shaft. Continue to rotate the collet nut and shaft until the lock engages and holds the shaft.
2. Use the wrench from your Dremel Rotary Tool and turn the collet nut counterclockwise to loosen it.
3. Release the shaft lock button.
4. Insert the accessory into the collet as deep as possible to ensure proper gripping of the accessory and to minimize run out. Do not insert the bit so far that the flutes touch the collet or collet nut to avoid chipping or cracking the bit.
5. Re-engage the shaft lock button and tighten the collet nut; first by hand, then using the wrench until the bit is held securely.
6. Place the threaded nose through the open ring of the adapter and place the union nut provided on the threaded nosepiece. Hand tighten the union nut until the nut is fully threaded on to the tool. Using the wrench provided, tighten the union nut until it is tight and the rotary tool is securely in place.

Service parts & diagram



CODE NO.	PART NO.	DESCRIPTION
1	2610945903	Base Screw Assembly
2	2610945904	Base Assembly
3	2610945905	Fixed Vise Assembly (Service only)
4	2610945906	Clamping Vise Assembly (Service only)
5	2610945907	Jaw Pads (Service only)

CODE NO.	PART NO.	DESCRIPTION
6	2610945908	Ball and Stem Assembly
7	2610934368	Socket
8	2610934393	Union Nut
9	2610917207	Wrench
10	2610934392	Rotary Tool Holder
11	2610935595	Bar Brake Thumbscrew
12	2610934367	Base Nut

Dremel Limited Warranty

Your Dremel product is warranted against defective material or workmanship for a period of two years from date of purchase. In the event of a failure of a product to conform to this written warranty, please take the following action:

1. DO NOT return your product to the place of purchase.
2. Carefully package the product by itself, with no other items, and return it, freight prepaid, along with:
 - A. A copy of your dated proof of purchase (please keep a copy for yourself).
 - B. A written statement about the nature of the problem.
 - C. Your name, address and phone number to:

UNITED STATES

Dremel Service Center
4915 Twenty-First Street
Racine, Wisconsin 53406

OR

Dremel Service Center
 4631 E. Sunny Dunes
 Palm Springs, CA 92264

CANADA

Giles Tool Agency
 47 Granger Av.
 Scarborough, Ont.
 Canada M1K 3K9
 1-416-287-3000

OUTSIDE

CONTINENTAL UNITED STATES

See your local distributor or write
 to Dremel, 4915 Twenty-First St.
 Racine, Wisconsin 53406

We recommend that the package be insured against loss or in transit damage for which we cannot be responsible.

This warranty applies only to the original registered purchaser. DAMAGE TO THE PRODUCT RESULTING FROM TAMPERING, ACCIDENT, ABUSE, NEGLIGENCE, UNAUTHORIZED REPAIRS OR ALTERATIONS, UNAPPROVED ATTACHMENTS OR OTHER CAUSES UNRELATED TO PROBLEMS WITH MATERIAL OR WORKMANSHIP ARE NOT COVERED BY THIS WARRANTY.

No employee, agent, dealer or other person is authorized to give any warranties on behalf of Dremel. If Dremel inspection shows that the problem was caused by problems with material or workmanship within the limitations of the warranty, Dremel will repair or replace the product free of charge and return product prepaid. Repairs made necessary by normal wear or abuse, or repair for product outside the warranty period, if they can be made, will be charged at regular factory prices.

DREMEL MAKES NO OTHER WARRANTY OF ANY KIND WHATEVER, EXPRESSED OR IMPLIED, AND ALL IMPLIED WARRANTIES OF MERCHANTABILITY AND FITNESS FOR A PARTICULAR PURPOSE WHICH EXCEED THE ABOVE MENTIONED OBLIGATION ARE HEREBY DISCLAIMED BY DREMEL AND EXCLUDED FROM THIS LIMITED WARRANTY.

This warranty gives you specific legal rights and you may also have other rights which vary from state to state. The obligation of the warrantor is solely to repair or replace the product. The warrantor is not liable for any incidental or consequential damages due to any such alleged defect. Some states do not allow the exclusion or limitation of incidental or consequential damages, so the above limitations or exclusion may not apply to you.

For prices and warranty fulfillment in the continental United States, contact your local Dremel distributor.

Exportado por: Robert Bosch Tool Corporation Mt. Prospect, IL 60056-2230, E.U.A.

Importado en México por: Robert Bosch, S.A. de C.V., Calle Robert Bosch No. 405, Zona Industrial, Toluca, Edo. de México, C.P. 50070, Tel. (722) 2792300

Règles de sécurité pour étau portable

Assujettissez fermement l'étau à une plate-forme ou à un établi stable. Pendant qu'un outil est en marche, une plate-forme ou un établi instable risquerait de s'incliner ou de basculer, ce qui pourrait causer une perte de contrôle et des blessures.

Portez des lunettes de sécurité et un masque anti-poussières. Utilisez seulement dans un endroit bien ventilé. L'utilisation de dispositifs de sécurité personnelle et le fait de travailler dans un environnement sans danger réduisent le risque de blessure.

Vérifiez toujours que les ouvrages ne comportent pas de clous ou d'autres objets étrangers. L'embout de votre outil risque d'être endommagé si un clou se trouve dans le matériau que vous coupez, ce qui risque de provoquer un mouvement imprévisible de l'ouvrage et de vous faire perdre le contrôle de l'outil.

Avant de commencer à travailler, assujettissez solidement l'ouvrage entre les mâchoires de l'étau. La fixation de l'ouvrage dans l'étau vous permet de vous servir de vos deux mains pour contrôler l'outil. L'assujettissement correct de l'ouvrage l'empêchera de bouger.

Utilisez les rainures en forme de « V » moulées dans les mâchoires pour supporter des ouvrages cylindriques tels que des tubes ou de tiges lors d'opérations de perçage. Les ouvrages cylindriques tels que des goupilles, des tuyaux ou des tubes ont tendance à rouler pendant que vous les coupez, ce qui risque de causer un glissement de l'embout ou un déplacement de l'ouvrage risquant de blesser l'opérateur.

Assujettissez solidement l'outil dans le porte-outil avant de commencer à travailler. Si l'outil se desserre pendant le fonctionnement, il aura tendance à se déplacer dans le sens opposé à celui du porte-outil, et l'outil risquera de tomber alors que l'embout continuera à tourner.

Apprenez à fermer l'outil ! Positionnez l'outil de façon que son interrupteur soit facilement accessible s'il s'avérait nécessaire de fermer rapidement l'outil en cas d'urgence.

Acheminez le cordon à distance suffisante de l'embout ou de la zone de coupe. Si vous coupez un fil électrique sous tension, vous risquez de subir un choc électrique ou une brûlure, ou d'être électrocuté.

Ne portez pas de gants, de cravate ou de vêtements amples pendant le fonctionnement de l'outil. Le cas échéant, attachez les cheveux longs derrière vous ou portez un filet à cheveux. Des vêtements ou des cheveux risquent d'être attrapés par l'embout pendant qu'il tourne, ce qui pourrait causer une blessure.

Choisissez l'embout approprié et utilisez-le à la vitesse correcte pour votre application. N'utilisez pas

d'embouts qui ont un diamètre de coupe supérieur à la capacité de l'outil. La surcharge de l'outil risque de causer des blessures aux personnes ou une défaillance de l'outil.

N'utilisez jamais d'embouts émoussés ou endommagés. Les embouts tranchants doivent être manipulés avec précaution. Les embouts endommagés risquent de se casser pendant l'emploi. Les embouts émoussés nécessitent l'emploi de plus de force pour pousser l'ouvrage, ce qui risque de causer la rupture de l'embout.

Lorsque vous utilisez l'adaptateur du porte-outil, vous devez régler et verrouiller la base de l'étau avant de mettre l'outil en marche. Approchez l'ouvrage de l'outil et assurez-vous qu'il y a suffisamment de place – au moins 150 mm (6 po) entre votre main et l'embout en train de tourner. Tout contact avec l'embout en train de tourner causerait une blessure. L'adaptateur du porte-outil a été conçu de façon à être utilisé en conjonction avec la base de l'étau portable pour des applications telles que le ponçage, le broissage, le polissage ou le meulage. D'autres applications peuvent être associées à des dangers contre lesquels il n'est pas possible d'assurer une protection adéquate.

Si le côté d'un quelconque accessoire rotatif est utilisé pour faire le travail, par exemple un tambour de ponçage, il faut positionner l'ouvrage sur le côté de l'accessoire qui tourne dans le sens contraire de l'avance de l'ouvrage. Le placement de l'ouvrage sur le côté de l'accessoire où le sens de l'avance de l'ouvrage et le sens de rotation de l'accessoire sont les mêmes risque de causer l'attraction de l'ouvrage par l'accessoire en train de tourner et d'entraîner une perte de contrôle pendant le fonctionnement de l'outil.

Ne mettez jamais l'outil en marche alors que l'embout est engagé dans le matériau. Le bord tranchant de l'embout risquerait de saisir le matériau et d'entraîner une perte de contrôle de l'ouvrage.

⚠ AVERTISSEMENT Les travaux à la machine tel que ponçage, sciage, meulage, perçage et autres travaux du bâtiment peuvent créer des poussières contenant des produits chimiques qui sont des causes reconnues de cancer, de malformation congénitale ou d'autres problèmes reproductifs. Ces produits chimiques sont, par exemple :

- Le plomb provenant des peintures à base de plomb,
- Les cristaux de silices provenant des briques et du ciment et d'autres produits de maçonnerie, et
- L'arsenic et le chrome provenant des bois traités chimiquement.

Le niveau de risque dû à cette exposition varie avec la fréquence de ces types de travaux. Pour réduire

l'exposition à ces produits chimiques, il faut travailler dans un lieu bien ventilé et porter un équipement de sécurité approprié tel que certains masques à poussière conçus spécialement pour filtrer les particules microscopiques.

Après avoir changé l'embout ou effectué un autre réglage, assurez-vous que l'écrou de serrage de la douille et tous les autres dispositifs de réglage sont serrés solidement. Un réglage insuffisamment serré de l'outil risquerait de le faire basculer de façon imprévisible, causant ainsi une perte de contrôle, et les composants non assujettis qui sont en train de tourner seront projetés avec violence.

Ne touchez jamais l'embout pendant l'emploi ou immédiatement après l'emploi. Un contact avec l'embout en train de tourner causerait une blessure. Même après la fin de son utilisation, l'embout est trop chaud pour pouvoir être touché à main nue.

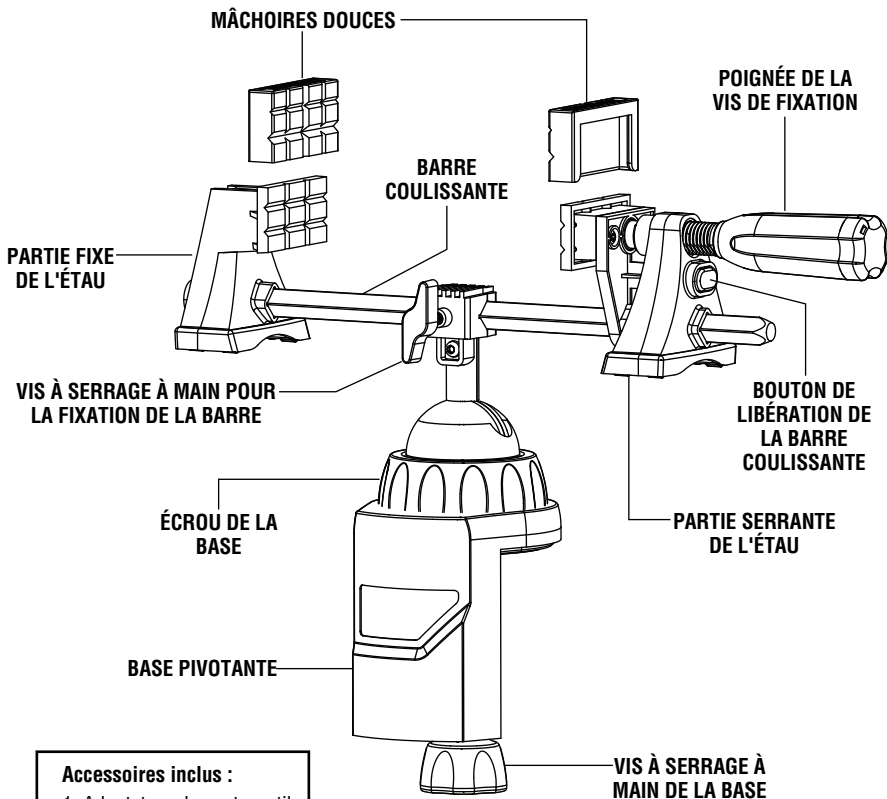
Ne laissez pas un outil en marche sans surveillance ; mettez-le hors tension avant de vous en séparer. Pour des raisons de sécurité, ne retirez l'outil que quand il aura complètement arrêté de tourner.

PENSEZ EN TERME DE SÉCURITÉ ! La sécurité est une combinaison de BON SENS et de VIGILANCE de l'opérateur à tous les instants pendant que l'outil est utilisé.

Apprenez à connaître votre étau

Dremel Multi-Vise™

FIG. 1



Accessoires inclus :

1. Adaptateur du porte-outil
2. Écrou d'accouplement
3. Clé

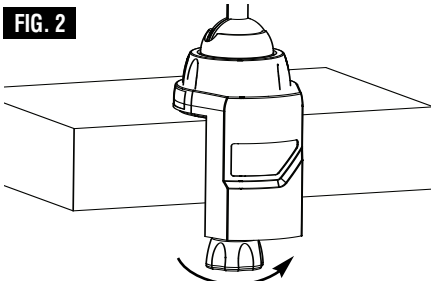
Montage de l'étau

Placez la base pivotante sur la surface de travail. L'étau Dremel Multi-Vise™ peut être utilisé sur des surfaces de travail d'une épaisseur maximum de 2 1/2 po. Avant de serrer la base pour l'assujettir à la surface de travail, assurez-vous que toute la surface de la base tient complètement sur la surface de travail. Assujettissez la base sur la surface de travail en tournant la vis à serrage à main de la base vers la droite (Fig. 2). **Faites attention de ne pas trop serrer la vis à serrage à main.**

AVERTISSEMENT Si vous serrez trop la vis à serrage à main, vous risquez de rendre la plate-forme instable, ce qui risque de causer une perte de contrôle et d'entraîner des blessures.

Après que la base aura été assujettie, retirez le capuchon en caoutchouc du bout de la barre coulissante.

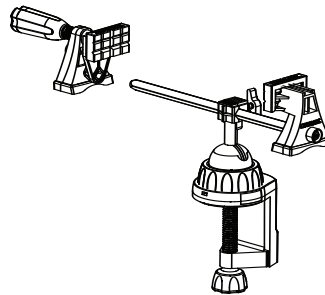
FIG. 2



Le capuchon a été utilisé pour assujettir l'étau pendant le transport et n'est pas nécessaire pour le fonctionnement.

Après avoir retiré le capuchon en caoutchouc, faites passer la mâchoire fixe de l'étau et la barre coulissante à travers le trou en forme de diamant dans la partie supérieure du logement de la rotule. Après avoir fait passer la barre coulissante à travers le trou, placez la partie serrante de l'étau sur l'extrémité ouverte de la barre coulissante et faites-la glisser dessus. **La partie serrante de l'étau contient un mécanisme de verrouillage qui empêche cette partie de l'étau de glisser le long de la tige et d'en sortir sauf si le bouton de libération est engagé.** Enfin, serrez la vis à serrage à main pour la fixation de la barre afin de verrouiller la barre coulissante en place. Faites attention de ne pas trop serrer la vis. Votre étau est maintenant prêt à l'emploi.

FIG. 3



Fonctionnement de l'étau

ASSUJETTISSEMENT DE L'OUVRAGE

Lorsque le montage de l'étau est terminé, placez votre ouvrage entre les mâchoires de l'étau et faites glisser la partie serrante de l'étau jusqu'à ce que les mâchoires tiennent l'ouvrage en place. Desserrez la vis à serrage à main pour la fixation de la barre et faites glisser la barre de fixation jusqu'à ce que l'ouvrage soit équilibré de façon stable au-dessus de la base. Resserrez la vis à serrage à main (Fig. 4).

Une fois que la barre coulissante est verrouillée en place, utilisez la poignée de la vis de fixation pour faire pression sur l'ouvrage et l'assujettir. Faites attention de ne pas trop serrer les mâchoires car cela risquerait d'endommager l'ouvrage. Des mâchoires douces sont fournies pour assujettir les objets délicats.

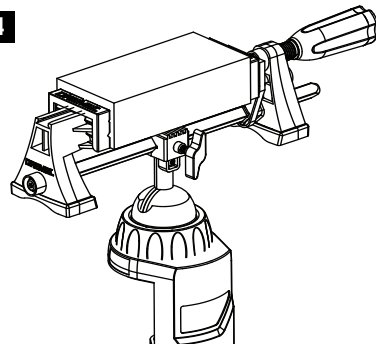
AVERTISSEMENT Une utilisation dans une position instable peut causer une perte de contrôle et entraîner des blessures.

ROTATION ET INCLINAISON DE L'ÉTAU

Après avoir assujetti l'étau sur la surface de travail et avoir placé solidement l'ouvrage entre les mâchoires de

l'étau, tenez fermement la mâchoire fixe de l'étau et tournez l'écrou de la base dans le sens contraire des aiguilles d'une montre jusqu'à ce que l'étau se déplace librement. Mettez alors l'étau dans la position désirée et tournez l'écrou de la base dans le sens des aiguilles d'une montre, à la main, jusqu'à ce que l'étau soit solidement en place. L'étau tournera de 360° et s'inclinera de chaque côté de 50°. **N'UTILISEZ PAS DE CLÉ POUR SERRER.**

FIG. 4



UTILISATION DES « RAINURES EN FORME DE V »

Les mâchoires douces comme les mâchoires standard ont des « rainures en forme de V » qui sont moulées sur leurs faces et permettent de tenir solidement en place des objets ronds et irréguliers. Pour tenir solidement en place un objet rond ou de forme irrégulière, placez cet objet dans les rainures en forme de V horizontales ou verticales (selon la position dans laquelle vous souhaitez tenir votre ouvrage). Faites glisser les mâchoires en les rapprochant l'une de l'autre jusqu'à ce que l'objet soit immobilisé. Tournez la poignée de la vis de fixation pour assujettir l'objet et appliquez de la pression. Faites attention de ne pas trop serrer.

⚠ AVERTISSEMENT Ne tentez pas de souder des matériaux ensemble en utilisant cet étau. Les matériaux assujettis par l'étau peuvent causer un assouplissement des mâchoires et leur faire perdre leur intégrité de fixation mécanique.

RETRAIT D'OBJETS DES MÂCHOIRES DE L'ÉTAU

Pour retirer des objets qui sont assujettis entre les mâchoires de l'étau, commencez par tourner la poignée de la vis de fixation dans le sens contraire des aiguilles d'une montre afin de réduire la pression sur l'objet. Tout en tenant l'objet d'une main, appuyez sur le bouton de libération rapide au-dessous de la poignée de la vis de fixation et faite glisser la mâchoire de l'étau dans le sens opposé à l'objet.

Utilisation de la bride de serrage

L'étau Dremel Multi-Vise™ peut également être utilisé comme bride de serrage autonome. Pour retirer la bride de serrage de la base, appuyez sur le bouton de libération rapide et retirez la mâchoire de la barre coulissante. Desserrez la vis à serrage rapide de la base. L'étau peut désormais être utilisé comme une bride de serrage pour assujettir des objets sur une surface de travail ou bride de fixation autonome (Fig. 5).

CONSTRUCTION EN QUEUE D'ARONDE

La mâchoire fixe de l'étau comprend une queue d'aronde sur la mâchoire fixe qui vous permet d'utiliser les accessoires actuels de Dremel, tels que FlexLite™ et Magnifier Light, ainsi que les futurs accessoires munis d'adaptateurs en queue d'aronde (Fig. 5).

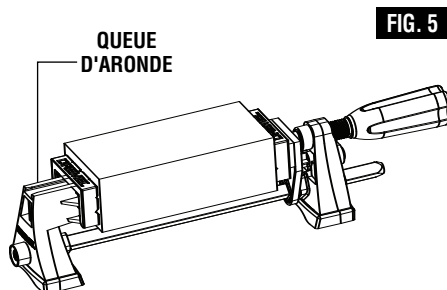


FIG. 5

Utilisation du porte-outil

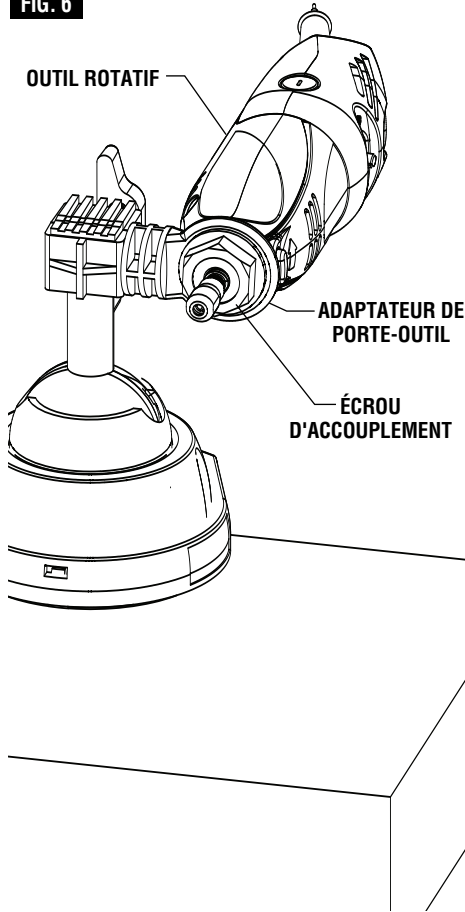
ACCESSOIRE PORTE-OUTIL POUR EMPLOI AVEC LES OUTILS ROTATIFS DREMEL MODÈLES 275, 285, 395, SÉRIE 300, 398, SÉRIE 400, 780 ET 800.

L'étau Dremel Multi-Vise™ comprend un adaptateur de porte-outil qui transforme votre étau en porte-outil fixe pour poncer, polir, meuler et brosser.

1. Retirez la partie fixe et la partie serrante de l'étau de leur base pivotante.
2. Insérez l'adaptateur du porte-outil dans la tige de la base. Serrez la vis à serrage à main pour la fixation de

la barre jusqu'à ce que l'adaptateur du porte-outil soit verrouillé solidement dans la tige.

⚠ AVERTISSEMENT Positionnez bien l'arbre de sortie de l'outil rotatif du côté opposé à la vis à serrage à main (Fig. 6). Si vous ne positionnez pas l'outil de cette manière, cela risque de coincer des objets entre la vis à serrage à main et l'embout de l'outil rotatif et d'entraîner des blessures.

FIG. 6

Remarque : les accessoires sont maintenus à leur place dans l'outil par un système de douille de serrage. L'accessoire peut être installé avant ou après l'installation de l'outil rotatif dans le porte-outil.

1. Après avoir débranché l'outil et l'avoir mis en position d'arrêt, retirez le capuchon du nez de votre outil rotatif pour exposer le nez fileté. Appuyez et maintenez enfoncé le bouton de verrouillage de l'arbre tout en faisant tourner l'écrou de serrage de la douille et l'arbre. Continuez à faire tourner l'écrou de serrage de la douille et l'arbre jusqu'à ce que le verrou s'engage et maintienne l'arbre en place.

2. Utilisez la clé de votre outil rotatif Dremel et tournez l'écrou de serrage dans le sens contraire des aiguilles d'une montre pour le desserrer.

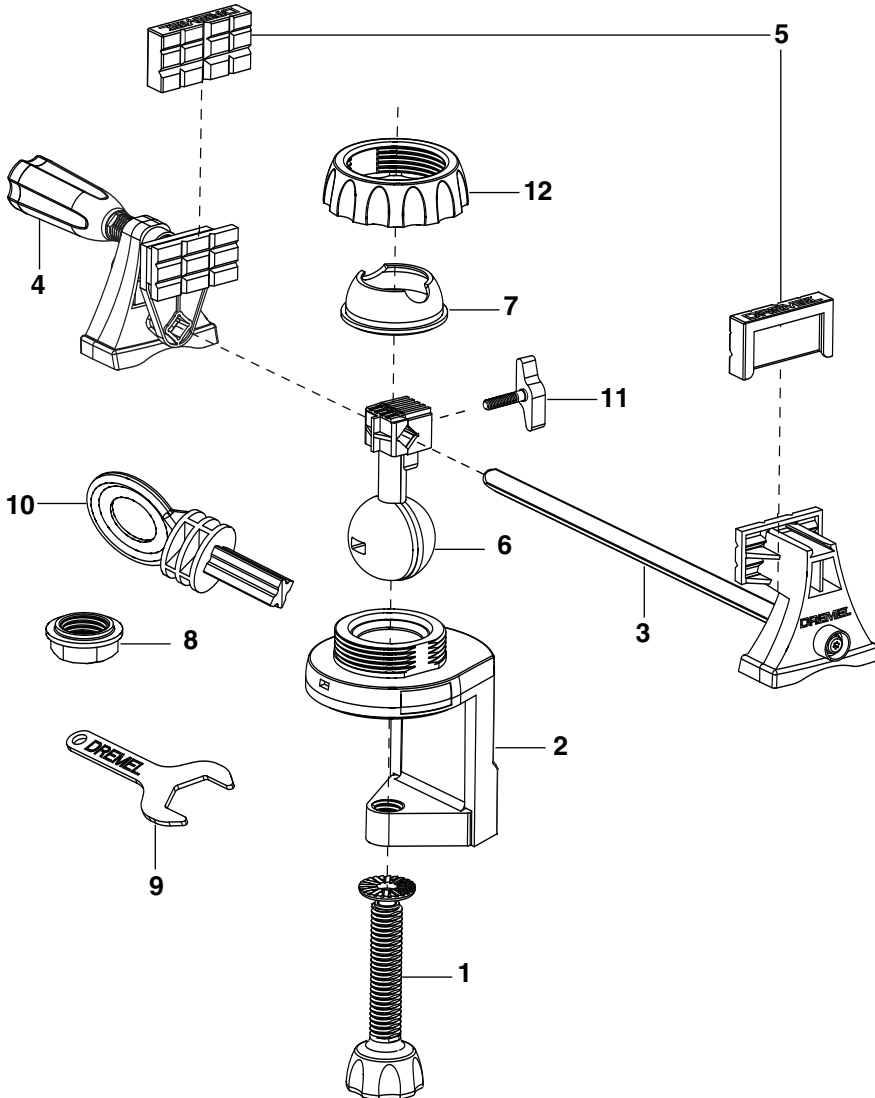
3. Relâchez le bouton de verrouillage de l'arbre.

4. Insérez l'accessoire dans la douille aussi profondément que possible pour assurer une saisie suffisante de l'accessoire et pour minimiser le risque d'excentricité. N'insérez pas l'embout assez loin que pour les cannelures risquent d'entrer en contact avec la douille ou avec l'écrou de serrage de la douille afin d'éviter d'ébrécher ou de fissurer l'embout.

5. Réengagez le bouton de verrouillage de l'arbre et serrez l'écrou de serrage de la douille ; d'abord à la main, puis en utilisant la clé jusqu'à ce que l'embout soit maintenu solidement en place.

6. Enfillez le nez fileté à travers l'anneau ouvert de l'adaptateur et placez l'écrou d'accouplement fourni sur le nez fileté. Serrez l'écrou d'accouplement à la main jusqu'à ce que l'écrou soit complètement fileté sur l'outil. En utilisant la clé fournie, serrez à fond l'écrou d'accouplement jusqu'à ce que l'outil rotatif soit solidement en place.

Liste des pièces et schémas de montage



CODE N°	PIÈCE N°	DESCRIPTION	CODE N°	PIÈCE N°	DESCRIPTION
1	2610945903	Ensemble de vis de base	6	2610945908	Ensemble de bille et de tige
2	2610945904	Ensemble de base	7	2610934368	Douille
3	2610945905	Ensemble de partie fixe de l'étau (Service seulement)	8	2610934393	Écrou d'accouplement
4	2610945906	Ensemble de partie serrante de l'étau (Service seulement)	9	2610917207	Clé
5	2610945907	Patins de mâchoires (Service seulement)	10	2610934392	Porte-outil rotatif
			11	2610935595	Vis à serrage à main du frein de la barre
			12	2610934367	Écrou de la base

Garantie limitée de Dremel

Votre produit Dremel est garanti contre les vices de matériau ou de façon pendant un délai de deux ans à compter de la date d'achat. Dans l'hypothèse où le produit ne se conformerait pas à cette garantie écrite, veuillez procéder de la façon suivante :

1. NE RAPPORTEZ PAS votre produit à l'endroit où vous l'avez acheté.
2. Emballez avec soin le produit seul, sans aucun autre article, et renvoyez-le, port payé, accompagné :
 - A. d'une copie de votre justificatif d'achat daté (veuillez en garder une copie pour vous-même)
 - B. d'une déclaration écrite concernant la nature du problème
 - C. d'une indication de vos nom, adresse et numéro de téléphone, à l'adresse suivante :

ÉTATS-UNIS

Dremel Service Center
4915 21st Street
Racine, WI 53406

OU

Dremel Service Center
 4631 E. Sunny Dune
 Palm Springs, CA 92264

CANADA

Giles Tool Agency
 47 Granger Av.
 Scarborough, Ont.
 Canada M1K 3K9
 1-416-287-3000

À L'EXTÉRIEUR DU TERRITOIRE CONTINENTAL DES ÉTATS-UNIS

Consultez votre distributeur local ou écrivez
 à Dremel : 4915 21st Street
 Racine, WI 53406

Nous vous recommandons d'assurer le paquet contre la perte ou les dommages en cours de route dont nous ne pouvons assumer la responsabilité.

Cette garantie n'est offerte qu'à l'acheteur enregistré d'origine. LES DOMMAGES AU PRODUIT RÉSULTANT DE MANIPULATIONS ABUSIVES, D'ACCIDENTS, D'USAGES ABUSIFS, DE NÉGLIGENCE, DE RÉPARATIONS OU D'ALTÉRATIONS NON AUTORISÉES, D'UTILISATION D'ACCESSOIRES NON APPROUVÉS OU D'AUTRES CAUSES NON LIÉES AU MATÉRIAU OU À LA FAÇON NE SONT PAS COUVERTS PAR CETTE GARANTIE.

Aucun employé, mandataire, vendeur ou autre personne n'est autorisé à accorder des garanties au nom de Dremel. Si l'inspection effectuée par Dremel révèle que le problème a été causé par un problème de matériau ou de façon dans les limites de la garantie, Dremel réparera ou remplacera le produit gratuitement et renverra le produit en port payé. Si elles peuvent être effectuées, les réparations rendues nécessaires par l'usure normale ou un usage abusif, ou les réparations du produit une fois la période de garantie expirée, seront facturées aux tarifs réguliers de l'usine.

DREMEL N'ACCORDE AUCUNE AUTRE GARANTIE DE QUELQUE NATURE QUE CE SOIT, EXPLICITE OU IMPLICITE, ET TOUTES LES GARANTIES IMPLICITES DE COMMERCIALISATION ET D'APTITUDE À UN USAGE PARTICULIER EN PLUS DE L'OBLIGATION SUSVISÉE SONT REJETÉES PAR LES PRÉSENTES PAR DREMEL ET EXCLUES DE CETTE GARANTIE LIMITÉE.

Cette garantie vous accorde certains droits précis, et vous pouvez également avoir d'autres droits qui varient d'un endroit à un autre. L'obligation du garant se limite à réparer ou remplacer le produit. Le garant n'est responsable d'aucun dommage accessoire ou indirect attribuable à de telles défaillances alléguées. Certaines juridictions ne permettent pas l'exclusion ou la limitation des dommages accessoires ou indirects ; il se peut donc que les limitations ou l'exclusion qui précède ne s'appliquent pas à vous.

En ce qui concerne les prix et la façon de vous prévaloir de la garantie sur le territoire continental des États-Unis, mettez-vous en contact avec votre distributeur Dremel local.

Exportado por: Robert Bosch Tool Corporation Mt. Prospect, IL 60056-2230, E.U.A.

Importado en México por: Robert Bosch, S.A. de C.V., Calle Robert Bosch No. 405, Zona Industrial, Toluca, Edo. de México, C.P. 50070, Tel. (722) 2792300

Normas de seguridad para la prensa de tornillo portátil

Sujete firmemente la prensa de tornillo a una plataforma o un banco de trabajo estable. Durante la utilización, las plataformas o los bancos de trabajo inestables pueden cambiar de posición o inclinarse, causando pérdida de control y lesiones.

Use protección de los ojos y una máscara antipolvo. Utilice la herramienta solamente en un área bien ventilada. La utilización de dispositivos de seguridad personal y trabajar en un entorno seguro reducen el riesgo de lesiones.

Asegúrese siempre de que las piezas de trabajo no tengan clavos ni otros objetos extraños. Cortar en un clavo dañará la broca y puede hacer que la pieza de trabajo salte, causando pérdida de control.

Antes de utilizar la herramienta, sujete firmemente la pieza de trabajo entre las mandíbulas de la prensa de tornillo. La sujeción de la pieza de trabajo le permite usar las dos manos para controlar la herramienta. La sujeción apropiada de la pieza de trabajo impedirá que ésta se afloje.

Use las ranuras en "V" moldeadas en las mandíbulas para soportar material redondo, tal como tubos o varillas, cuando taladre. El material redondo, como por ejemplo varillas de cola de milano, tuberías o tubos, tiene tendencia a rodar mientras está siendo cortado y puede hacer que la broca "penetre y se enganche" o que la pieza de trabajo salte hacia usted.

Sujete firmemente la herramienta en el portaherramienta antes de utilizarla. Si la herramienta se afloja durante su utilización, tenderá a funcionar alejándose del portaherramienta y se podría caer mientras la broca aún esté girando.

¡Sepa cómo apagar la herramienta! Posicione la herramienta de manera que se pueda tener acceso fácil al interruptor para apagarla rápidamente en una emergencia.

Dirija el cordón alejándolo de la broca o del área de corte. Cortar en cables eléctricos que tengan corriente podría causar una descarga eléctrica, quemaduras o electrocución.

No use guantes, corbatas ni ropa holgada durante la utilización de la herramienta. Sujétese el pelo largo detrás de la cabeza o use una red para sujetar el pelo. La ropa o el pelo se pueden enganchar en la broca que gira y el resultado podría ser lesiones.

Seleccione la broca y la velocidad apropiadas para la aplicación que desee realizar. No utilice brocas que tengan un diámetro de corte que exceda la capacidad de la herramienta. Si se sobrecarga la herramienta, el resultado puede ser lesiones corporales o falla de la herramienta.

No utilice nunca brocas desafiladas o dañadas. Las brocas afiladas se deben manejar con cuidado. Las brocas dañadas se pueden romper bruscamente durante el uso. Las brocas desafiladas requieren más fuerza para empujar la pieza de trabajo, lo cual puede hacer que la broca se rompa.

Cuando utilice el adaptador de portaherramienta, debe ajustar y bloquear la base de la prensa de tornillo antes de encender la herramienta. Traiga la pieza de trabajo hacia la herramienta y deje suficiente espacio, al menos 150 mm (6"), entre la mano y la broca que gira. El contacto con la broca que gira causará lesiones. El adaptador de portaherramienta fue diseñado para utilizarse en combinación con la base de la prensa de tornillo portátil para realizar aplicaciones de lijado, cepillado, pulido o amolado. Otras aplicaciones pueden presentar peligros contra los que no se puede proporcionar protección adecuada.

Si el lado de cualquier accesorio que gira se utiliza para realizar el trabajo, por ejemplo un tambor de lijar, la pieza de trabajo se debe posicionar en el lado del accesorio que gira contra el sentido de avance de la pieza de trabajo. Si se coloca la pieza de trabajo en el lado del accesorio donde el sentido de avance y la rotación del accesorio coinciden, el resultado podría ser que el accesorio que gira tire de la pieza de trabajo y se cause pérdida de control durante la operación.

No arranque nunca la herramienta cuando la broca esté acoplada en el material. El borde de corte de la broca puede agarrar el material, causando pérdida de control de la pieza de trabajo.

⚠ ADVERTENCIA Cierta polvo generado por el lijado, aserrado, amolado y taladrado mecánicos, y por otras actividades de construcción, contiene agentes químicos que se sabe que causan cáncer, defectos de nacimiento u otros daños sobre la reproducción. Algunos ejemplos de estos agentes químicos son:

- Plomo de pinturas a base de plomo,
- Sílice cristalina de ladrillos y cemento y otros productos de mampostería, y
- Arsénico y cromo de madera tratada químicamente.

Su riesgo por causa de estas exposiciones varía, dependiendo de con cuánta frecuencia realice este tipo de trabajo. Para reducir su exposición a estos agentes químicos: trabaje en un área bien ventilada y trabaje con equipo de seguridad aprobado, como por ejemplo máscaras antipolvo que estén diseñadas especialmente para impedir mediante filtración el paso de partículas microscópicas.

Después de cambiar las brocas o hacer cualquier otro ajuste, asegúrese de que la tuerca del portapieza y cualquier otro dispositivo de ajuste estén firmemente apretados. Un ajuste flojo de la herramienta puede hacer que ésta cambie de posición inesperadamente, causando pérdida de control, y los componentes giratorios flojos serán lanzados violentamente.

No toque nunca la broca durante el uso o inmediatamente después de usarla. El contacto con la broca causará lesiones y después del uso la broca está demasiado caliente como para tocarla con las manos.

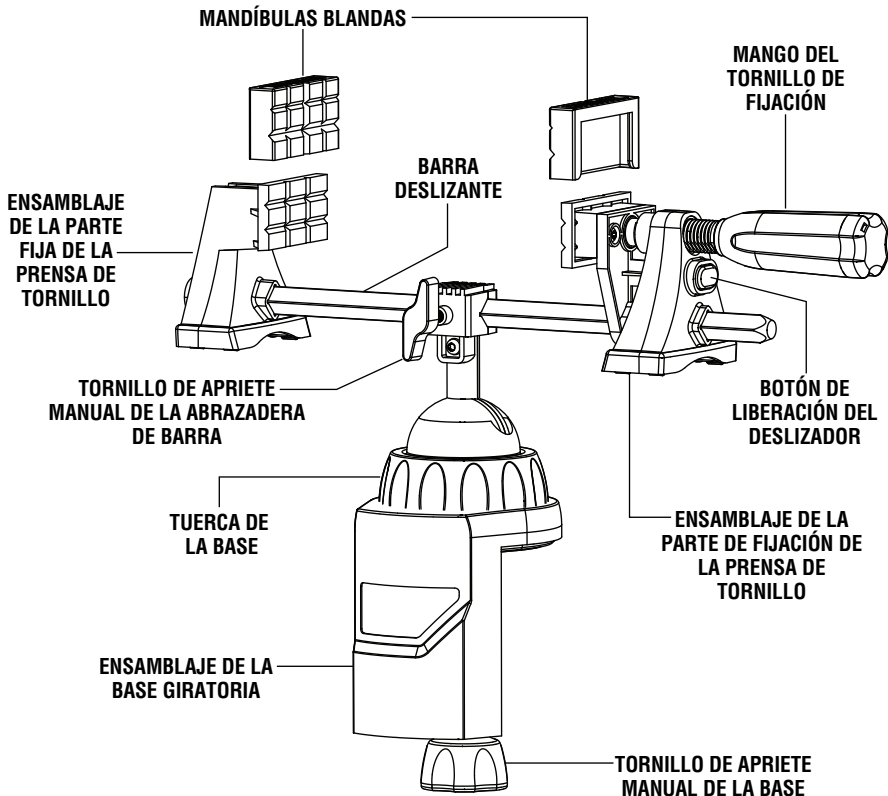
No deje desatendida una herramienta en marcha; apague la herramienta antes de irse. Solamente será seguro retirar la herramienta una vez que ésta se haya detenido por completo.

¡PIENSE EN LA SEGURIDAD! La seguridad es una combinación de SENTIDO COMÚN y ALERTA por parte del operador en todo momento cuando se esté utilizando la herramienta.

Familiarización con la prensa de tornillo

Prensa de tornillo Dremel Multi-Vise™

FIG. 1



Accesorios incluidos:

1. Adaptador de portaherramienta
2. Tuerca de unión
3. Llave de tuerca

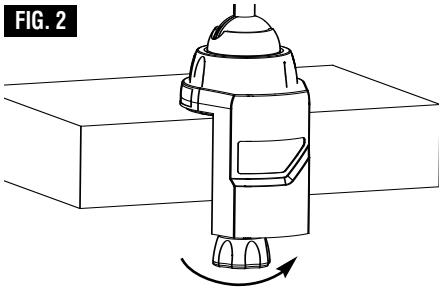
Ensamblaje de la prensa de tornillo

Coloque el ensamblaje de la base giratoria sobre la superficie de trabajo. La prensa de tornillo Dremel Multi-Vise™ se puede utilizar en superficies de trabajo de hasta 2-1/2" de grosor. Antes de apretar el ensamblaje de la base en la superficie de trabajo, asegúrese de que toda la superficie del ensamblaje de la base esté completamente sobre la superficie de trabajo. Sujete firmemente el ensamblaje de la base a la superficie de trabajo girando el tornillo de apriete manual de la base hacia la derecha (Fig. 2). **Tenga cuidado de no apretar excesivamente el tornillo de apriete manual.**

⚠ ADVERTENCIA Un apriete excesivo del tornillo de apriete manual puede dar lugar a una plataforma inestable que podría producir pérdida de control y lesiones.

Una vez que el ensamblaje de la base esté sujeto firmemente, retire la tapa de goma del extremo de la barra deslizante.

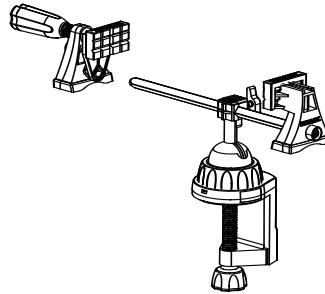
FIG. 2



La tapa se utilizó para sujetar la prensa de tornillo durante el transporte y no se necesita para utilizar la prensa.

Después de quitar la tapa de goma, coloque el ensamblaje de mandíbula fijo y la barra deslizante a través del agujero con forma de diamante ubicado en la parte de arriba del casquillo esférico. Después de que la barra deslizante haya atravesado el agujero, coloque el ensamblaje de fijación sobre el extremo abierto de la barra deslizante y deslicelo sobre ella. **El ensamblaje de fijación contiene un mecanismo de fijación que impide que el ensamblaje se deslice hasta salirse de la varilla, a menos que se acople el botón de liberación rápida.** Por último, apriete el tornillo de apriete manual de la abrazadera de barra para bloquear la barra deslizante en su sitio. Tenga cuidado de no apretar excesivamente el tornillo de apriete manual. Una vez hecho esto, la prensa de tornillo estará lista para utilizarse (Fig. 3).

FIG. 3



Utilización de la prensa de tornillo

SUJECCIÓN DE LA PIEZA DE TRABAJO

Una vez que la prensa de tornillo esté ensamblada, coloque la pieza de trabajo entre las mandíbulas de la prensa de tornillo y deslice el ensamblaje de fijación sobre ella hasta que las mandíbulas sujeten la pieza de trabajo. Afloje el tornillo de apriete manual de la abrazadera de barra y deslice la barra de fijación hasta que la pieza de trabajo esté equilibrada igualmente sobre el ensamblaje de la base. Reapriete el tornillo de apriete manual (Fig. 4).

Una vez que la barra deslizante esté bloqueada en su sitio, use el mango del tornillo de fijación para aplicar presión a la pieza de trabajo y sujetarla firmemente. Tenga cuidado de no apretar excesivamente las mandíbulas, ya que esto podría dañar la pieza de trabajo. Se proporcionan mandíbulas blandas para sujetar objetos delicados.

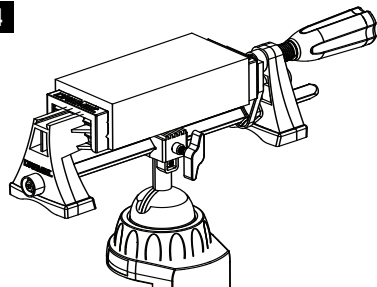
⚠ ADVERTENCIA La utilización en posición desequilibrada puede causar pérdida de control y lesiones.

ROTACIÓN E INCLINACIÓN DE LA PRENSA DE TORNILLO

Después de que la prensa de tornillo esté sujeta a la superficie de trabajo y la pieza de trabajo esté sujeta en

las mandíbulas de la prensa de tornillo, sujete el ensamblaje de mandíbula fijo y gire la tuerca de la base en sentido contrario al de las agujas del reloj hasta que el ensamblaje de la prensa de tornillo se mueva libremente. Mueva el ensamblaje de la prensa de tornillo hasta la posición deseada y gire la tuerca de la base en el sentido de las agujas del reloj, con la mano, hasta que el ensamblaje de la prensa de tornillo esté sujeto firmemente. La prensa de tornillo girará 360° y se inclinará hacia cada un de los lados 50°. **NO USE LA Llave de tuerca para apretarlo.**

FIG. 4



USO DE LAS "RANURAS EN V"

Tanto las mandíbulas blandas como las mandíbulas normales tienen "ranuras en V" moldeadas en sus caras que permiten sujetar firmemente objetos redondos e irregulares. Para sujetar firmemente un objeto redondo o con forma irregular, coloque el objeto en cualquiera de las ranuras en V horizontales o verticales (dependiendo de en qué posición desee sujetar la pieza de trabajo). Deslice las mandíbulas juntándolas hasta que el objeto quede sujeto en su sitio. Gire el mango del tornillo de fijación para sujetar el objeto y aplicar presión. Tenga cuidado de no apretarlo excesivamente.

⚠ ADVERTENCIA No intente soldar materiales juntos utilizando esta prensa de tornillo. Los materiales sujetos por la prensa pueden

hacer que las abrazaderas se ablanden y pierdan integridad de fijación mecánica.

RETIRADA DE OBJETOS DE LAS MANDÍBULAS DE LA PRENSA DE TORNILLO

Para retirar objetos que estén sujetos en las mandíbulas de la prensa de tornillo, comience girando el tornillo del mango de fijación en sentido contrario al de las agujas del reloj para reducir la presión sobre el objeto. Mientras sujeta el objeto con una mano, oprima el botón de liberación rápida ubicado debajo del tornillo del mango de fijación y deslice la mandíbula de la prensa de tornillo alejándola del objeto.

Utilización de la abrazadera de barra

El ensamblaje de la prensa de tornillo Dremel Multi-Vise™ también se puede utilizar como una abrazadera de barra independiente. Para retirar la abrazadera de barra del ensamblaje de la base, oprima el botón de liberación rápida y retire la mandíbula de la barra deslizante. Afloje el tornillo de apriete manual de la abrazadera de barra y retire la barra deslizante del ensamblaje de la base. Una vez hecho esto, la prensa de tornillo se podrá utilizar como una abrazadera de barra para sujetar objetos a una superficie de trabajo o como una abrazadera independiente (Fig. 5).

DISPOSITIVO DE COLA DE MILANO

La mandíbula fija de la prensa de tornillo incluye un dispositivo de cola de milano en el ensamblaje de mandíbula fijo que le permite usar aditamentos Dremel actuales, tales como la luz flexible FlexLite™ y la Luz

con lupa, así como aditamentos futuros que tengan adaptadores de cola de milano (Fig. 5).

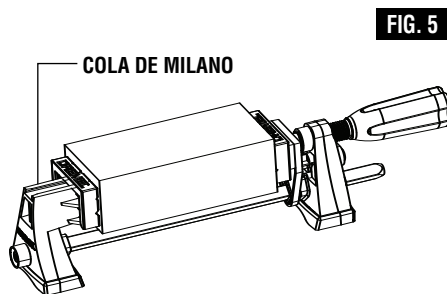


FIG. 5

Utilización del portaherramienta

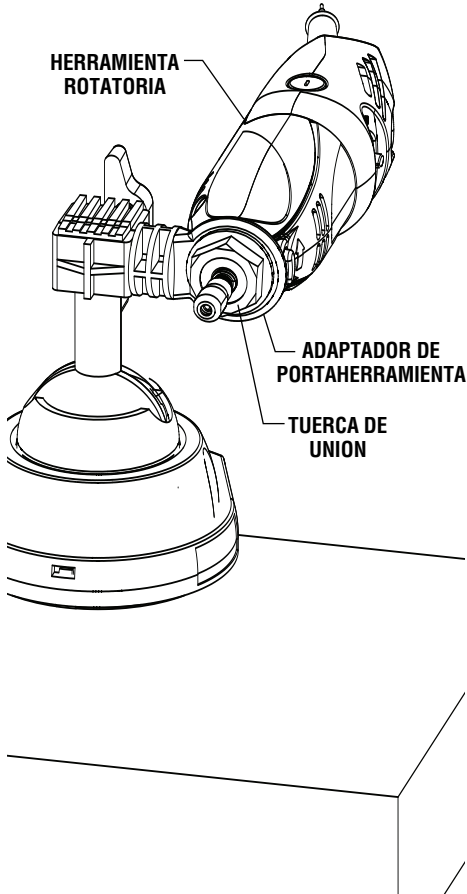
ADITAMENTO PORTAHERRAMIENTA PARA UTILIZARSE CON LOS MODELOS DE HERRAMIENTA ROTATORIA DREMEL 275, 285, 395, SERIE 300, 398, SERIE 400, 780 Y 800.

La prensa de tornillo Dremel Multi-Vise™ incluye un adaptador de portaherramienta que transforma la prensa de tornillo en un portaherramienta estacionario para lijar, pulir, amolar y cepillar.

1. Retire de la base giratoria el ensamblaje de la parte de fijación de la prensa de tornillo y el ensamblaje de la parte fija de la prensa de tornillo.

2. Inserte el adaptador de portaherramienta en el vástago del ensamblaje de la base. Apriete el tornillo de apriete manual de la abrazadera de barra hasta que el adaptador de portaherramienta esté bloqueado firmemente en el vástago.

⚠ ADVERTENCIA Asegúrese de que la posición del eje de salida de la herramienta rotatoria esté en el lado opuesto del tornillo de apriete manual (Fig. 6). Si no se posiciona la herramienta de esta manera, el resultado podría ser que se incrusten objetos entre el tornillo de apriete manual y la broca de la herramienta rotatoria, causando lesiones.

FIG. 6

Nota: Los accesorios se sujetan en la herramienta por medio de un sistema de portapieza. El accesorio se puede instalar antes o después de instalar la herramienta rotatoria en el portaherramienta.

1. Con la herramienta desenchufada y el interruptor en la posición de apagado, retire la tapa de la punta de su herramienta rotatoria para dejar al descubierto la punta roscada. Oprima y mantenga oprimido el botón de fijación del eje mientras gira la tuerca del portapieza y el eje. Siga rotando la tuerca del portapieza y el eje hasta que el cierre se acople y sujete el eje.

2. Use la llave de tuerca de su herramienta rotatoria Dremel y gire la tuerca del portapieza en sentido contrario al de las agujas del reloj para aflojarla.

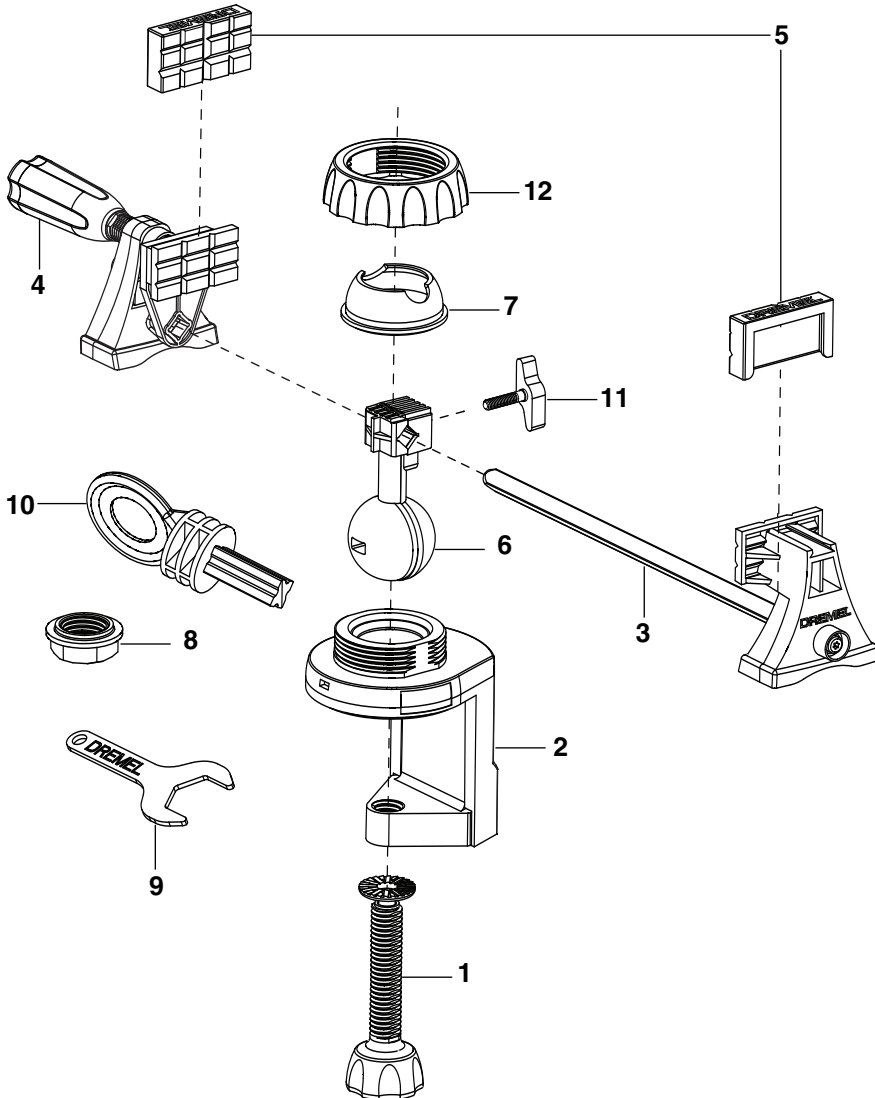
3. Suelte el botón de fijación del eje.

4. Inserte el accesorio en el portapieza tan profundamente como sea posible para asegurarse de que el accesorio es agarrado apropiadamente y para minimizar el descentramiento. No introduzca la broca tan profundamente que las estrías toquen el portapieza o la tuerca del portapieza, para evitar mellar o agrietar la broca.

5. Reacople el botón de fijación del eje y apriete la tuerca del portapieza; primero con la mano y luego utilizando la llave de tuerca hasta que la broca esté sujeta firmemente.

6. Coloque la punta roscada a través del anillo abierto del adaptador y coloque la tuerca de unión suministrada en la pieza de punta roscada. Apriete a mano la tuerca de unión hasta que dicha tuerca esté completamente enroscada en la herramienta. Utilizando la llave de tuerca suministrada, apriete la tuerca de unión hasta que esté apretada y la herramienta rotatoria esté firmemente sujeta en su sitio.

Piezas de repuesto y diagrama



NO. DE CÓDIGO	NO. DE PIEZA	DESCRIPCIÓN	NO. DE CÓDIGO	NO. DE PIEZA	DESCRIPCIÓN
1	2610945903	Ensamblaje del tornillo de la base	6	2610945908	Ensamblaje de bola y vástago
2	2610945904	Ensamblaje de la base	7	2610934368	Casquillo
3	2610945905	Ensamblaje de la parte fija de la prensa de tornillo (Servicio solamente)	8	2610934393	Tuerca de unión
4	2610945906	Ensamblaje de la parte de fijación de la prensa de tornillo (Servicio solamente)	9	2610917207	Llave de tuerca
5	2610945907	Almohadillas de mandíbula (Servicio solamente)	10	2610934392	Portaherramienta para herramienta rotatoria
			11	2610935595	Tornillo de apriete manual del freno de la barra
			12	2610934367	Tuerca de la base

Notes:

Remarques :

Notas:

Garantía limitada de Dremel™

Su producto Dremel está garantizado contra defectos de material o de fabricación durante un período de dos años a partir de la fecha de compra. En caso de que un producto no se ajuste a esta garantía escrita, por favor, tome las medidas siguientes:

1. NO devuelva el producto al lugar de compra.
2. Empaquete el producto cuidadosamente y solo, sin otros artículos, y envíelo con el porte pagado junto con:
 - A. Una copia de la prueba de compra fechada (por favor, conserve una copia para usted).
 - B. Una explicación por escrito de la naturaleza del problema.
 - C. Su nombre, dirección y número de teléfono a:

ESTADOS UNIDOS
Dremel Service Center
4915 21st Street
Racine, WI 53406

O

Dremel Service Center
 4631 E. Sunny Dune
 Palm Springs, CA 92264

CANADÁ
 Giles Tool Agency
 47 Granger Av.
 Scarborough, Ont
 Canada M1K 3K9
 1-416-287-3000

**FUERA DE LOS TERRITORIOS
 CONTINENTALES DE LOS EE.UU.**
 Vea al distribuidor local o escriba a Dremel,
 4915 21st Street Racine, WI 53406

Recomendamos que el paquete sea asegurado contra pérdida o daños durante el transporte por los cuales no podemos ser responsables.

Esta garantía tiene validez únicamente para el comprador original inscrito. LOS DAÑOS AL PRODUCTO PRODUCIDOS POR MANIPULACION INCORRECTA, ACCIDENTE, ABUSO, NEGLIGENCIA, REPARACIONES O ALTERACIONES NO AUTORIZADAS, ACCESORIOS NO APROBADOS U OTRAS CAUSAS NO RELACIONADAS CON PROBLEMAS DEL MATERIAL O LA FABRICACION NO ESTAN CUBIERTOS POR ESTA GARANTIA.

Ningún empleado, agente, distribuidor, ni ninguna otra persona está autorizado a dar ninguna garantía en nombre de Dremel. Si la inspección de Dremel demuestra que el problema fue causado por problemas con el material o la fabricación dentro de los límites de la garantía, Dremel reparará o reemplazará el producto gratuitamente y devolverá el producto con el porte pagado. Las reparaciones necesarias debido al desgaste normal o al abuso, o las reparaciones de productos que se encuentren fuera del período de garantía, en caso de que se puedan realizar, se cobrarán a precios de fábrica normales.

DREMEL NO DA NINGUNA OTRA GARANTIA DE NINGUN OTRO TIPO, EXPRESA O IMPLICITA, Y TODAS LAS GARANTIAS IMPLICITAS DE COMERCIABILIDAD E IDONEIDAD PARA UN PROPOSITO ESPECIFICO QUE EXCEDEN LA OBLIGACION MENCIONADA ANTERIORMENTE QUEDAN POR LA PRESENTE RECHAZADAS POR PARTE DE DREMEL Y ESTAN EXCLUIDAS DE ESTA GARANTIA LIMITADA.

Esta garantía le confiere a usted derechos legales específicos y es posible que usted también tenga otros derechos que varían de un estado a otro. La obligación del garante consiste únicamente en reparar o reemplazar el producto. El garante no es responsable de ningún daño incidental o emergente debido a cualquiera de dichos defectos alegados. Algunos estados no permiten la exclusión o limitación de los daños incidentales o emergentes, por lo que es posible que las limitaciones o la exclusión anteriores no sean aplicables en el caso de usted.

Para precios y cumplimiento de la garantía en los territorios continentales de los Estados Unidos, póngase en contacto con el distribuidor local Dremel.

Exportado por: Robert Bosch Tool Corporation Mt. Prospect, IL 60056-2230, E.U.A.

Importado en México por: Robert Bosch, S.A. de C.V., Calle Robert Bosch No. 405, Zona Industrial, Toluca, Edo. de México, C.P. 50070, Tel. (722) 2792300

Free Manuals Download Website

<http://myh66.com>

<http://usermanuals.us>

<http://www.somanuals.com>

<http://www.4manuals.cc>

<http://www.manual-lib.com>

<http://www.404manual.com>

<http://www.luxmanual.com>

<http://aubethermostatmanual.com>

Golf course search by state

<http://golfingnear.com>

Email search by domain

<http://emailbydomain.com>

Auto manuals search

<http://auto.somanuals.com>

TV manuals search

<http://tv.somanuals.com>