

Dell™ OptiPlex™ GX100 System User's Guide

[Introduction](#)


[Setup and Operation](#)

[System Setup](#)

[Installing Upgrades](#)

[Troubleshooting](#)

[Technical Specifications](#)

 *NOTE: You can obtain the latest version of this document from the Dell support Web site at <http://support.dell.com>.*


Models DCP, DCS, and MMP

Notes, Notices, and Cautions

Throughout this guide, there may be blocks of text printed in bold type or in italic type. These blocks are notes, notices, and cautions, and they are used as follows:

 *NOTE: A NOTE indicates important information that helps you make better use of your system.*

NOTICE: A NOTICE indicates either potential damage to hardware or loss of data and tells you how to avoid the problem.

 **CAUTION: A CAUTION indicates a potentially hazardous situation which, if not avoided, may result in minor or moderate injury.**

Information in this document is subject to change without notice.

© 2000-2001 Dell Computer Corporation. All rights reserved.

Reproduction in any manner whatsoever without the written permission of Dell Computer Corporation is strictly forbidden.

Trademarks used in this text: *Dell*, *OptiPlex*, *OptiFrame*, *Dell OpenManage*, *Dimension*, *Latitude*, *Inspiron*, and *DellWare* are trademarks of Dell Computer Corporation; *Microsoft*, *Windows*, *MS-DOS*, and *Windows NT* are registered trademarks of Microsoft Corporation; *Intel* is a registered trademark, and *Celeron* is a trademark of Intel Corporation; *3Com* is a registered trademark of 3Com Corporation; *IBM* and *OS/2* are registered trademarks of International Business Machines Corporation; *Novell* and *NetWare* are registered trademarks of Novell, Inc. As an ENERGY STAR Partner, Dell Computer Corporation has determined that this product meets the ENERGY STAR guidelines for energy efficiency.

Other trademarks and trade names may be used in this document to refer to either the entities claiming the marks and names or their products. Dell Computer Corporation disclaims any proprietary interest in trademarks and trade names other than its own.

Initial release: 18 May 1999

Last revised: 17 Jan 2001

[Back to Contents Page](#)

Basic Checks: Dell™ OptiPlex™ GX100 System User's Guide

[Overview](#)

[Backing Up Your Files](#)

[Basic Checks](#)

[Checking Connections and Switches](#)

[Look and Listen](#)

[System Setup](#)

Overview

If your Dell computer system is not working as expected, and if you are not sure what to do, start your troubleshooting with the procedures in this section. This section guides you through basic steps to solve basic computer problems. It also directs you to further detailed troubleshooting information and procedures to solve more complex problems.

Backing Up Your Files

If your system is behaving erratically, back up your files immediately. If your system has a tape drive installed, see the documentation that came with the tape backup software for instructions on performing a backup operation. Otherwise, see your operating system documentation for information on backing up data files.

Basic Checks

See the following sections in the order indicated until the problem is resolved:

- 1 If your computer is wet or damaged, see "[Troubleshooting a Wet Computer](#)" or "[Troubleshooting a Damaged Computer](#)."
- 1 Perform the steps in "[Checking Connections and Switches](#)."
- 1 Perform the steps in "[Look and Listen](#)."
- 1 If your system did not complete the boot (start-up) routine, see "[Getting Help](#)."



NOTE: The boot routine is the operating system's attempt to load its files into memory from the boot-up sector on the hard-disk drive or another bootable device.

- 1 If your system displayed a message or emitted a beep code, see "[Messages and Codes](#)."
- 1 Verify the settings in [System Setup](#).
- 1 Run the [Dell Diagnostics](#).

Checking Connections and Switches

Improperly set switches and controls and loose or improperly connected cables are the most likely source of problems for your computer, monitor, or other peripheral (such as a printer, keyboard, mouse, or other external equipment).



NOTE: See "[Controls and Indicators](#)" and "[Connecting Peripheral Devices](#)" for the location of your computer's external connections and switches.

Complete the following steps in the order indicated to check all the connections and switches:

1. Turn off the system, including any attached peripherals (such as the monitor, keyboard, printer, external drives, scanners, or plotters).
Disconnect all the AC power cables from their electrical outlets.
2. If your computer is connected to a power strip, turn the power strip off and then on again. If the problem is not resolved, try another power strip or connect the system directly to an electrical outlet to see if the original power strip is faulty.
3. Connect the system to a different electrical outlet.
If doing so corrects the problem, the original outlet is faulty.

4. Reconnect the system to an electrical outlet. Make sure that all connections fit tightly together, and turn on the system.
5. If the problem is resolved, you have corrected a faulty connection.
6. If your monitor is not operating properly, see "[Troubleshooting the Monitor](#)."
7. If your keyboard is not operating properly, see "[Troubleshooting the Keyboard](#)."
8. If your mouse or printer is not operating properly, see "[Troubleshooting I/O Ports](#)." Otherwise, see "[Look and Listen](#)."

Look and Listen

Looking at and listening to your system is important in determining the source of a problem. Look and listen for the indications described in [Table 1](#).

If after looking and listening to your computer you have not resolved the problem, continue with the recommendations in "[System Setup](#)."

Table 1. Boot Routine Indications

Look/Listen for:	Action
An error message	See " Messages and Codes ."
The monitor's power indicator	Most monitors have a power indicator (usually on the front bezel). If the monitor's power indicator does not light up, see " Troubleshooting the Monitor ."
The power and hard-disk drive indicators	Use the power and hard-disk drive indicators to help you identify a system problem when you press the power button to turn on the computer but the system does not boot.
The power indicator	Use the power indicator to help you identify a system problem when you press the power button to turn on the computer but the system does not boot: <ul style="list-style-type: none"> 1 A blinking yellow power indicator before power-on self-test (POST) indicates that the power supply may be faulty. In rare cases, the system board may be faulty. See "Getting Help" for instructions on getting technical assistance from Dell. 1 A solid yellow power indicator before POST indicates that a device on the system board may be faulty or is incorrectly installed. Be sure that the microprocessor is properly seated, remove all expansion cards, and then reboot. If the system does not boot, see "Getting Help" for instructions on getting technical assistance from Dell. 1 A solid green power indicator and a beep code during POST indicate that a dual in-line memory module (DIMM) may be faulty or is not properly seated. Remove all DIMMs, install only one DIMM, and then reboot. Repeat this procedure until you identify the faulty or improperly seated DIMM. 1 A solid green power indicator and no beep code and no video during POST indicate that the monitor or the integrated video controller may be faulty. See "Troubleshooting the Monitor." If the monitor is operating properly and is correctly connected, see "Getting Help" for instructions on getting technical assistance from Dell. 1 A solid green power indicator and no beep code with video during POST indicate that an integrated system board device may be faulty. See "Getting Help" for instructions on getting technical assistance from Dell.
The keyboard indicators	Most keyboards have one or more indicators (usually in the upper-right corner). Press the <Num Lock> key, the <Caps Lock> key, and the <Scroll Lock> key to toggle the keyboard indicators on and off. If the keyboard indicators do not light up, see " Troubleshooting the Keyboard ."
The diskette-drive access indicator	The diskette-drive access indicator should quickly flash on and off when you access data on the diskette drive. On a system running a Microsoft® Windows® operating system, you can test the drive by opening Windows Explorer and clicking the icon for drive A. If the diskette-drive access indicator does not light up, see " Troubleshooting Drives ."
The hard-disk drive access indicator	The hard-disk drive access indicator should quickly flash on and off when you access data on the hard-disk drive. On a system running a Windows operating system, you can test the drive by opening Windows Explorer and clicking the icon for drive C. If the hard-disk drive access indicator does not light up, see " Troubleshooting Drives ."
A series of beeps	See " Messages and Codes ."
An unfamiliar constant scraping or grinding sound when you access a drive	Make sure the sound is not caused by the application program you are running. The sound could be caused by a hardware malfunction. See " Getting Help " for instructions on getting technical assistance from Dell.
The absence of a familiar sound	When you turn on your system, you can hear the hard-disk drive spin up, and the system tries to access the boot files from the hard-disk drive or the diskette drive. If your system boots, see " Dell Diagnostics ." If your system does not boot, see " Getting Help ."

System Setup

You can easily correct certain system problems by verifying the correct settings in [System Setup](#). When you boot your system, your system checks the system configuration information and compares it with the current hardware configuration. If your system hardware configuration does not match the information recorded by System Setup, an error message may appear on your screen.

This problem can happen if you changed your system's hardware configuration and forgot to run System Setup. To correct this problem, enter System Setup, correct the setting for the corresponding System Setup program option, and reboot your system.

If after checking the settings in System Setup you have not resolved the problem, see "[Dell Diagnostics](#)."

[Back to Contents Page](#)

[Back to Contents Page](#)

Battery: Dell™ OptiPlex™ GX100 System User's Guide

[Overview](#)

[Replacing the Battery](#)

Overview

A 3.0-volt (V) CR2032 coin-cell battery installed on the system board maintains system configuration, date, and time information in a special section of memory.

The operating life of the battery can extend up to ten years. The battery may need replacing if an incorrect time or date is displayed during the boot routine along with a message such as:

```
Time-of-day not set - please run SETUP program
```

or

```
Invalid configuration information -  
please run SETUP program
```

or

```
Strike the F1 key to continue,  
F2 to run the setup utility
```

To determine whether you need to replace the battery, reenter the time and date through [System Setup](#) and exit the program properly to save the information. Turn off your system and disconnect it from the electrical outlet for a few hours; then reconnect and turn on your system. Enter System Setup. If the date and time are not correct in System Setup, replace your battery.

You can operate your system without a battery; however, without a battery, the system configuration information is erased if the system is turned off or unplugged from the electrical outlet. In this case, you must enter System Setup and reset the configuration options.

⚠ CAUTION: There is a danger of the new battery exploding if it is incorrectly installed. Replace the battery only with the same or equivalent type recommended by the manufacturer. Discard used batteries according to the manufacturer's instructions.

Replacing the Battery

To replace the system battery, perform the following steps:

1. If you have not already done so, make a copy of your system configuration information in [System Setup](#).

If the settings are lost while you are replacing the battery, refer to your written or printed copy of the system configuration information to restore the correct settings.

⚠ CAUTION: Before you remove the computer cover, see "[Safety First — For You and Your Computer](#)."

2. Remove the computer cover according to the instructions in "[Removing and Replacing the Computer Cover](#)."
3. Remove the battery.

See [Figure 7](#) in "Inside Your Computer" for the location of the battery.

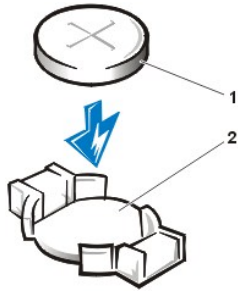
NOTICE: If you pry the battery out of its socket with a blunt object, be careful not to touch the system board with the object. Make certain that the object is inserted between the battery and the socket before you attempt to pry out the battery. Otherwise, you may damage the system board by prying off the socket or by breaking circuit traces on the system board.

Pry the battery out of its socket with your fingers or with a blunt, nonconductive object, such as a plastic screwdriver.

4. Install the new battery.

Orient the battery with the side labeled "+" facing up (see [Figure 1](#)). Then insert the battery into the socket, and snap it into place.

Figure 1. Replacing the System Battery



- 1 Battery
- 2 Battery socket

5. Replace the computer cover, reconnect your computer and peripherals to their electrical outlets, and turn them on.
6. Enter [System Setup](#), and confirm that the battery is operating properly.

Enter the correct time and date through System Setup's [System Time](#) and [System Date](#) options. Also, use the copy you made in [step 1](#) of the system configuration information to restore the correct settings for other System Setup options. Then exit System Setup.

7. Turn off and unplug your computer. Leave the computer turned off for at least 10 minutes.
8. After 10 minutes, plug in the computer, turn it on, and enter System Setup. If the time and date are still incorrect, see "[Getting Help](#)" for instructions on obtaining technical assistance.

[Back to Contents Page](#)

[Back to Contents Page](#)

Contacting Dell: Dell™ OptiPlex™ GX100 System User's Guide

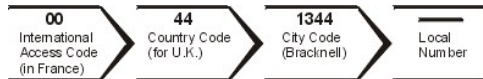
- [Overview](#)
- [International Dialing Codes](#)
- [Americas Contact Numbers](#)
- [Europe Contact Numbers](#)
- [Asia and Other Regions Contact Numbers](#)

Overview

When you need to contact Dell, use the telephone numbers, codes, and electronic addresses provided in the following sections. "[International Dialing Codes](#)" provides the various codes required to make long-distance and international calls. "[Americas Contact Numbers](#)," "[Europe Contact Numbers](#)," and "[Asia and Other Regions Contact Numbers](#)" provide local telephone numbers, area codes, toll-free numbers, and e-mail addresses, if applicable, for each department or service available in various countries around the world.

If you are making a direct-dialed call to a location outside of your local telephone service area, determine which codes to use (if any) in "[International Dialing Codes](#)," in addition to the local numbers provided in the other sections.


For example, to place an international call from Paris, France to Bracknell, England, dial the international access code for France followed by the country code for the U.K., the city code for Bracknell, and then the local number as shown in the following illustration:



To place a long-distance call within your own country, use area codes instead of international access codes, country codes, and city codes. For example, to call Paris, France from Montpellier, France, dial the area code plus the local number as shown in the following illustration:



The codes required depend on where you are calling from as well as the destination of your call; in addition, each country has a different dialing protocol. If you need assistance in determining which codes to use, contact a local or an international operator.

 **NOTES:** Toll-free numbers are for use only within the country for which they are listed. Area codes are most often used to call long distance within your own country (not internationally)—in other words, when your call originates in the same country you are calling.

Have your Express Service Code ready when you call. The code helps Dell's automated-support telephone system direct your call more efficiently.

International Dialing Codes

Click a listed country to obtain the appropriate contact numbers.

Country (City)	International Access Code	Country Code	City Code
Australia (Sydney)	0011	61	2
Austria (Vienna)	900	43	1
Belgium (Brussels)	00	32	2
Brazil	0021	55	51
Brunei	—	673	—
Canada (North York, Ontario)	011	—	Not required
Chile (Santiago)	—	56	2
China (Xiamen)	—	86	592
Czech Republic (Prague)	00	420	2
Denmark (Horsholm)	009	45	Not required
Finland (Helsinki)	990	358	9
France (Paris) (Montpellier)	00	33	(1) (4)

Germany (Langen)	00	49	6103
Hong Kong	001	852	Not required
Ireland (Bray)	16	353	1
Italy (Milan)	00	39	02
Japan (Kawasaki)	001	81	44
Korea (Seoul)	001	82	2
Luxembourg	00	352	—
Macau	—	853	Not required
Malaysia (Penang)	00	60	4
Mexico (Colonia Granada)	95	52	5
Netherlands (Amsterdam)	00	31	20
New Zealand	00	64	—
Norway (Lysaker)	095	47	Not required
Poland (Warsaw)	011	48	22
Portugal	00	35	—
Singapore (Singapore)	005	65	Not required
South Africa (Johannesburg)	09/091	27	11
Spain (Madrid)	00	34	91
Sweden (Upplands Vasby)	009	46	8
Switzerland (Geneva)	00	41	22
Taiwan	002	886	—
Thailand	001	66	—
U.K. (Bracknell)	010	44	1344
U.S.A. (Austin, Texas)	011	1	Not required

Americas Contact Numbers

Country (City)	Department Name or Service	Area Code	Local Number or Toll-Free Number
Brazil	Customer Support, Technical Support		toll free: 0800 90 3355
	Sales		toll free: 0800 90 3366
	Web site: http://www.dell.com/br		
Canada (North York, Ontario)	Automated Order-Status System		toll free: 1-800-433-9014
	AutoTech (Automated technical support)		toll free: 1-800-247-9362
	Customer Care (From outside Toronto)		toll free: 1-800-387-5759
	Customer Care (From within Toronto)	416	758-2400
	Customer Technical Support		toll free: 1-800-847-4096
	Sales (Direct Sales—from outside Toronto)		toll free: 1-800-387-5752
	Sales (Direct Sales—from within Toronto)	416	758-2200
	Sales (Federal government, education, and medical)		toll free: 1-800-567-7542
	Sales (Major Accounts)		toll free: 1-800-387-5755
	TechFax		toll free: 1-800-950-1329
Chile (Santiago)	Sales, Customer Support, and Technical Support		toll free: 1230-020-4823

NOTE: Customers in

<i>Chile call the U.S.A. for sales, customer, and technical assistance</i>			
Latin America <i>NOTE: Customers in Latin America call the U.S.A. for sales, customer, and technical assistance.</i>	Customer Technical Support (Austin, Texas, U.S.A.)	512	728-4093
	Customer Service (Austin, Texas, U.S.A.)	512	728-3619
	Fax (Technical Support and Customer Service) (Austin, Texas, U.S.A.)	512	728-3883
	Sales (Austin, Texas, U.S.A.)	512	728-4397
	SalesFax (Austin, Texas, U.S.A.)	512	728-4600 728-3772
Mexico <i>NOTE: Customers in Mexico call the U.S.A. for access to the Automated Order-Status System and AutoTech.</i>	Automated Order-Status System (Austin, Texas, U.S.A.)	512	728-0685
	AutoTech (Automated technical support) (Austin, Texas, U.S.A.)	512	728-0686
	Customer Technical Support	525	228-7870
	Sales	525	228-7811 toll free: 91-800-900-37 toll free: 91-800-904-49
	Customer Service	525	228-7878
	Main	525	228-7800
U.S.A. (Austin, Texas)	Automated Order-Status System		toll free: 1-800-433-9014
	AutoTech (for portable and desktop computers)		toll free: 1-800-247-9362
	Dell Home and Small Business Group (for portable and desktop computers):		
	Customer Technical Support (Return Material Authorization Numbers)		toll free: 1-800-624-9896
	Customer Technical Support (Home sales purchased via http://www.dell.com)		toll free: 1-877-576-3355
	Customer Service (Credit Return Authorization Numbers)		toll free: 1-800-624-9897
	National Accounts (systems purchased by established Dell national accounts [have your account number handy], medical institutions, or value-added resellers [VARs]):		
	Customer Service and Technical Support (Return Material Authorization Numbers)		toll free: 1-800-822-8965
	Public Americas International (systems purchased by governmental agencies [local, state, or federal] or educational institutions):		
	Customer Service and Technical Support (Return Material Authorization Numbers)		toll free: 1-800-234-1490
	Dell Sales		toll free: 1-800-289-3355 toll free: 1-800-879-3355
	Spare Parts Sales		toll free: 1-800-357-3355
	DellWare™		toll free: 1-800-753-7201
	Desktop and Portable Fee-Based Technical Support		toll free: 1-800-433-9005
	Server Fee-Based Technical Support		toll free: 1-800-967-0765
	Sales (Catalogs)		toll free: 1-800-426-5150
	Fax		toll free: 1-800-727-8320
TechFax		toll free: 1-800-950-1329	
Dell Services for the Deaf, Hard-of-Hearing, or Speech-Impaired		toll free: 1-877-DELLTTY (1-877-335-5889)	
Switchboard	512	338-4400	

Europe Contact Numbers

Country (City)	Department Name or Service	Area Code	Local Number or Toll-Free Number
Austria (Vienna) <i>NOTE: Customers in Austria call Langen, Germany for Technical Support and Customer Care.</i>	Switchboard	01	491 040
	Home/Small Business Sales	01	795676-02
	Home/Small Business Sales Fax	01	795676-05
	Home/Small Business Customer Care	01	795676-03
	Preferred Accounts/Corporate Customer Care		0660-8056
	Home/Small Business Technical Support	01	795676-04
	Preferred Accounts/Corporate Technical Support		0660-8779
	Web site: http://support.euro.dell.com		
	E-mail: tech_support_germany@dell.com		
Belgium (Brussels)	Technical Support	02	481 92 88
	Customer Care	02	481 91 19
	Home/Small Business Sales		toll free: 0800 16884
	Corporate Sales	02	481 91 00
	Fax	02	481 92 99
	Switchboard	02	481 91 00
	Web site: http://support.euro.dell.com		
	E-mail: tech_be@dell.com		
Czech Republic (Prague)	Technical Support	02	22 83 27 27
	Customer Care	02	22 83 27 11
	Fax	02	22 83 27 14
	TechFax	02	22 83 27 28
	Switchboard	02	22 83 27 11
	Web site: http://support.euro.dell.com		
	E-mail: czech_dell@dell.com		
Denmark (Horsholm) <i>NOTE: Customers in Denmark call Sweden for fax technical support.</i>	Technical Support		45170182
	Relational Customer Care		45170184
	Home/Small Business Customer Care		32875505
	Switchboard		45170100
	Fax Technical Support (Upplands Vasby, Sweden)		859005594
	Fax Switchboard		45170117
	Web site: http://support.euro.dell.com		
	E-mail: den_support@dell.com		
Finland (Helsinki)	Technical Support	09	253 313 60
	Technical Support Fax	09	253 313 81
	Relational Customer Care	09	253 313 38
	Home/Small Business Customer Care	09	693 791 94
	Fax	09	253 313 99
	Switchboard	09	253 313 00
	Web site: http://support.euro.dell.com		
	E-mail: fin_support@dell.com		
France (Paris/Montpellier)	Home and Small Business		
	Technical Support	0825	387 270
	Customer Care	0825	823 833

	Fax	0825	004 701
	Switchboard	0825	004 700
	Switchboard (Alternative)	04	99 75 40 00
	Sales	0825	004 700
	Web site: http://support.euro.dell.com		
	E-mail: web_fr_tech@dell.com		
	Corporate		
	Technical Support	0825	004 719
	Customer Care	0825	338 339
	Fax	01	55 94 71 99
	Switchboard	01	55 94 71 00
	Sales	01	55 94 71 00
	Web site: http://support.euro.dell.com		
	E-mail: web_fr_tech@dell.com		
Germany (Langen)	Technical Support	06103	766-7200
	Technical Support Fax	06103	766-9222
	Home/Small Business Customer Care		0180-5-224400
	Global Segment Customer Care	06103	766-9570
	Preferred Accounts Customer Care	06103	766-9420
	Large Accounts Customer Care	06103	766-9560
	Public Accounts Customer Care	06103	766-9555
	Switchboard	06103	766-7000
	Web site: http://support.euro.dell.com		
	E-mail: tech_support_germany@dell.com		
Ireland (Cherrywood)	Technical Support		0870 908 0800
	Customer Care	01	204 4026
	Sales	01	286 0500
	SalesFax	01	204 0144
	Fax		0870 907 5590
	Switchboard	01	286 0500
	Web site: http://support.euro.dell.com		
	E-mail: dell_direct_support@dell.com		
Italy (Milan)	Home and Small Business		
	Technical Support	02	577 826 90
	Customer Care	02	696 821 14
	Fax	02	696 824 13
	Switchboard	02	696 824 12
	Web site: http://support.euro.dell.com		
	E-mail: web_it_tech@dell.com		
	Corporate		
	Technical Support	02	577 826 90
	Customer Care	02	577 825 55
	Fax	02	575 035 30
	Switchboard	02	577 821
	Web site: http://support.euro.dell.com		
	E-mail: web_it_tech@dell.com		
	Luxembourg	Technical Support (Brussels, Belgium)	02

<i>NOTE: Customers in Luxembourg call Belgium for sales, customer, and technical assistance.</i>	Home/Small Business Sales (Brussels, Belgium)		toll free: 080016884
	Corporate Sales (Brussels, Belgium)	02	481 91 00
	Customer Care (Brussels, Belgium)	02	481 91 19
	Switchboard (Brussels, Belgium)	02	481 91 00
	Fax (Brussels, Belgium)	02	481 92 99
	Web site: http://support.euro.dell.com		
	E-mail: tech_be@dell.com		
Netherlands (Amsterdam)	Technical Support	020	581 8838
	Customer Care	020	581 8740
	Home/Small Business Sales		toll free: 0800-0663
	Home/Small Business Sales Fax	020	682 7171
	Corporate Sales	020	581 8818
	Corporate Sales Fax	020	686 8003
	Fax	020	686 8003
	Switchboard	020	581 8818
	Web site: http://support.euro.dell.com		
	E-mail: tech_nl@dell.com		
Norway (Lysaker) <i>NOTE: Customers in Norway call Sweden for fax technical support.</i>	Technical Support		671 16882
	Relational Customer Care		671 17514
	Home/Small Business Customer Care		231 62298
	Switchboard		671 16800
	Fax Technical Support (Upplands Vasby, Sweden)		590 05 594
	Fax Switchboard		671 16865
	Web site: http://support.euro.dell.com		
	E-mail: nor_support@dell.com		
Poland (Warsaw)	Technical Support	22	57 95 700
	Customer Care	22	57 95 999
	Sales	22	57 95 999
	Switchboard	22	57 95 999
	Fax	22	57 95 998
	Web site: http://support.euro.dell.com		
	E-mail: pl_support@dell.com		
Portugal	Technical Support	35	800 834 077
	Customer Care	34 35	902 118 540 or 800 834 075
	Sales	35	800 834 075
	Switchboard	34	917 229 200
	Fax	35	121 424 01 12
	E-mail es_support@dell.com		
Spain (Madrid)	Home and Small Business		
	Technical Support		902 100 130
	Customer Care		902 118 540
	Switchboard		902 118 541
	Fax		902 118 539
	Web site: http://support.euro.dell.com		
	E-mail: web_esp_tech@dell.com		
	Corporate		

	Technical Support		902 100 130
	Customer Care		902 118 546
	Switchboard	91	722 92 00
	Fax	91	722 95 83
	Web site: http://support.euro.dell.com		
	E-mail: web_esp_tech@dell.com		
Sweden (Upplands Vasby)	Technical Support	08	590 05 199
	Relational Customer Care	08	590 05 642
	Home/Small Business Customer Care	08	587 70 527
	Fax Technical Support	08	590 05 594
	Sales	08	590 05 185
	Web site: http://support.euro.dell.com		
	E-mail: swe_support@dell.com		
Switzerland (Geneva)	Technical Support (Home and Small Business)		0844 811 411
	Technical Support (Corporate)		0844 822 844
	Customer Care (Home and Small Business)		0848 802 202
	Customer Service (Corporate)		0848 821 721
	Switchboard	022	799 01 01
	Fax	022	799 01 90
	Web site: http://support.euro.dell.com		
	E-mail: swisstech@dell.com		
U.K. (Bracknell)	Technical Support (Corporate/Preferred Accounts/PAD [1000+ employees])		0870 908 0500
	Technical Support (Direct/PAD and General)		0870 908 0800
	Global Accounts Customer Care	01344	723186
	Corporate Customer Care	01344	723185
	Preferred Accounts (500-5000 employees) Customer Care	01344	723196
	Central Government Customer Care	01344	723193
	Local Government Customer Care	01344	723194
	Home/Small Business Sales		0870 907 4000
	Corporate/Public Sector Sales	01344	860456
	Web site: http://support.euro.dell.com		
	E-mail: dell_direct_support@dell.com		

Asia and Other Regions Contact Numbers

Country (City)	Department Name or Service	Area Code	Local Number or Toll-Free Number
Australia (Sydney)	Home and Small Business		1-300-65-55-33
	Government and Business		toll free: 1-800-633-559
	Preferred Accounts Division (PAD)		toll free: 1-800-060-889
	Customer Care		toll free: 1-800-819-339
	Corporate Sales		toll free: 1-800-808-385
	Transaction Sales		toll free: 1-800-808-312
	Fax		toll free: 1-800-818-341
Brunei	Customer Technical Support (Penang, Malaysia)		633 4966

<i>NOTE: Customers in Brunei call Malaysia for customer assistance.</i>	Customer Service (Penang, Malaysia)		633 4949
	Transaction Sales (Penang, Malaysia)		633 4955
China (Xiamen)	Technical Support		toll free: 800 858 2437
	Customer Experience		toll free: 800 858 2060
	Home and Small Business		toll free: 800 858 2222
	Preferred Accounts Division		toll free: 800 858 2062
	Large Corporate Accounts		toll free: 800 858 2999
Hong Kong <i>NOTE: Customers in Hong Kong call Malaysia for customer assistance.</i>	Technical Support		toll free: 800 96 4107
	Customer Service (Penang, Malaysia)		633 4949
	Transaction Sales		toll free: 800 96 4109
	Corporate Sales		toll free: 800 96 4108
Japan (Kawasaki)	Technical Support (Server)		toll free: 0120-1984-35
	Technical Support (Dimension™ and Inspiron™)		toll free: 0120-1982-26
	Technical Support Outside of Japan (Dimension and Inspiron)	81-44	520-1167
	Technical Support (Dell Precision™, OptiPlex™, and Latitude™)		toll free: 0120-1984-33
	Technical Support Outside of Japan (Dell Precision, OptiPlex, and Latitude)	81-44	556-3894
	Customer Care	044	556-4240
	24-Hour Automated Order Status Service	044	556-3801
	Home and Small Business Group Sales	044	556-3344
	Preferred Accounts Division Sales	044	556-3433
	Large Corporate Accounts	044	556-3430
	Faxbox Service	044	556-3490
	Switchboard	044	556-4300
	Web site: http://support.jp.dell.com		
Korea (Seoul)	Technical Support		toll free: 080-200-3800
	Sales		toll free: 080-200-3777
	Customer Service (Penang, Malaysia)		604-633-4949
	Customer Service (Seoul, Korea)		2194-6220
	Fax		2194-6202
	Switchboard		2194-6000
Macau <i>NOTE: Customers in Macau call Malaysia for customer assistance.</i>	Technical Support		toll free: 0800 582
	Customer Service (Penang, Malaysia)		633 4949
	Transaction Sales		toll free: 0800 581
Malaysia (Penang)	Technical Support		toll free: 1 800 888 298
	Customer Service	04	633 4949
	Transaction Sales		toll free: 1 800 888 202
	Corporate Sales		toll free: 1 800 888 213
New Zealand	Home and Small Business		0800 446 255
	Government and Business		0800 444 617
	Sales		0800 441 567
	Fax		0800 441 566
Singapore	Technical Support		toll free: 800 6011 051

(Singapore) <i>NOTE: Customers in Singapore call Malaysia for customer assistance.</i>	Customer Service (Penang, Malaysia)	04	633 4949
	Transaction Sales		toll free: 800 6011 054
	Corporate Sales		toll free: 800 6011 053
South Africa (Johannesburg)	Technical Support	011	709 7710
	Customer Care	011	709 7707
	Sales	011	709 7700
	Fax	011	706 0495
	Switchboard	011	709 7700
	Web site: http://support.euro.dell.com		
	E-mail: dell_za_support@dell.com		
Southeast Asian/Pacific Countries (excluding Australia, Brunei, China, Hong Kong, Japan, Korea, Macau, Malaysia, New Zealand, Singapore, Taiwan, and Thailand—refer to individual listings for these countries)	Customer Technical Support, Customer Service, and Sales (Penang, Malaysia)		60 4 633-4810
Taiwan	Technical Support		toll free: 0080 60 1225
	Technical Support (Servers)		toll free: 0080 60 1256
	Customer Service (Penang, Malaysia)		633 4949
	Transaction Sales		toll free: 0080 651 228/0800 33 556
	Corporate Sales		toll free: 0080 651 227/0800 33 555
Thailand <i>NOTE: Customers in Thailand call Malaysia for customer assistance.</i>	Technical Support		toll free: 088 006 007
	Customer Service (Penang, Malaysia)		633 4949
	Sales		toll free: 088 006 009

[Back to Contents Page](#)

[Back to Contents Page](#)

Dell™ Diagnostics: Dell OptiPlex™ GX100 System User's Guide

[Overview](#)

[Features](#)

[Before You Start Testing](#)

[Starting the Dell Diagnostics](#)

[Advanced Testing](#)

Overview

If you experience a problem with your computer, run the Dell Diagnostics before you call Dell for technical assistance. The diagnostics tests check your computer's hardware without additional equipment and without the risk of destroying data. When the diagnostics tests complete without indicating problems, you can have confidence in your computer's operation. If the tests indicate a problem you cannot solve, the test error messages provide important information you need when talking to Dell's service and support personnel.

NOTICE: Only use the Dell Diagnostics to test your Dell computer system. Using this program with other computers may cause incorrect computer responses or result in error messages.

Features


The diagnostic test group features allow you to take the following actions:

- 1 Perform quick checks or extensive tests on one or all devices
 - 1 Choose the number of times a test group or subtest is repeated
 - 1 Display or print test results or save them in a file
 - 1 Suspend testing if an error is detected or terminate testing when an adjustable error limit is reached
 - 1 Access online Help screens that describe the tests and tell how to run them
 - 1 Read status messages that inform you whether test groups or subtests completed successfully
 - 1 Receive error messages that appear if problems are detected
-

Before You Start Testing

- 1 Read "[Safety First—For You and Your Computer](#)" and the safety instructions in your *System Information Guide*.
 - 1 Turn on your printer if one is attached, and make sure it is online.
 - 1 [Enter system setup](#), confirm your computer's system configuration information, and enable all of its components and devices, such as ports.
 - 1 Perform the checks in "[Basic Checks](#)."
-

Starting the Dell Diagnostics

 **NOTE:** Dell recommends that you print these procedures before you begin.

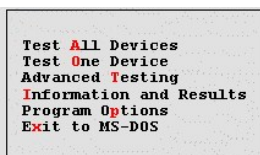
1. Shut down and restart the computer.
2. Press <F2> at the start of the boot routine to access the [System Setup](#) screen.
3. Select the **Boot Sequence** option and press <Enter>.


 **NOTE:** Record your current boot sequence in the event you want to restore it after running the Dell Diagnostics.

4. Select **CD/DVD/CD-RW Drive** as the first device in the boot sequence.
5. Insert the Dell *ResourceCD* into the CD-ROM drive.

6. Press <Alt> to exit system setup and save the change.

The computer reboots and the Dell logo screen appears, followed by a message telling you that the diagnostics is loading. When the diagnostics load, the following **Diagnostics Main Menu** screen appears:



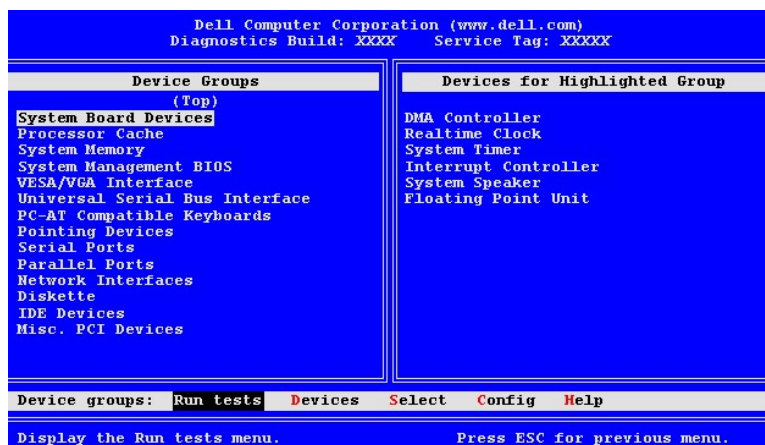
 **NOTE:** To change the boot sequence, repeat steps 1 through 6, set the boot sequence to fit your needs, and restart your computer.

7. Select an option from the **Diagnostics Main Menu** screen by pressing the up- or down-arrow key to highlight the option and pressing <Enter>, or press the key that corresponds to the highlighted letter in the option title.
 - 1 **Test All Devices** — Performs quick or extensive tests on all devices
 - 1 **Test One Device** — Performs quick or extensive tests on a single device after you select it from a list of device groups. After you select **Test One Device**, press <F1> for more information about a test
 - 1 **Advanced Testing** — Allows you to modify the parameters of a test, select a group of tests to perform, and access additional information about **Advanced Testing**
 - 1 **Information and Results** — Provides test results, test errors, version numbers of subtests, and additional information on the Dell Diagnostics
 - 1 **Program Options** — Allows you to change the settings of the Dell Diagnostics
 - 1 **Exit to MS-DOS** — Exits to the MS-DOS® prompt
8. Select **Quick Tests** from the **Test All Devices** or **Test One Device** option to perform a quick check of your computer or a specific device.

Quick Tests runs only the subtests that run fast and do not require user interaction. Dell recommends that you select **Quick Tests** first to increase your chance of locating the problem quickly.
9. Select **Extended Tests** from the **Test All Devices** or **Test One Device** option for a thorough check of your computer or to check a particular area of your computer.
10. Select the [Advanced Testing](#) option to customize your test(s).
11. Remove the *ResourceCD* from the CD-ROM drive when you have finished running the Dell Diagnostics.

Advanced Testing


When you select **Advanced Testing** from the **Diagnostics Main Menu** screen, the following advanced testing screen appears.



Information in the **Advanced Testing** screen is presented as follows:

- 1 **Device Groups** — Lists the diagnostic test groups in the order they run if you select **All** from the **Run tests** menu option


To select a test device group, press the up- or down-arrow key to highlight the group.

 **NOTE:** The diagnostics may not list in the **Device Groups** area the names of all components or devices that are part of your computer system. For example, it may not list a printer even though it is connected to your computer. However, the parallel port to which the printer is connected appears in the **Device Groups** list. You can test your printer connection in the **Parallel Ports** tests.

- 1 **Devices for Highlighted Group** — Lists the computer's current hardware
- 1 **Device groups:** menu bar — Contains the options **Run tests**, **Devices**, **Select**, **Config**, and **Help**.

To select a menu option, press the left- or right-arrow key to highlight the option and press <Enter>, or press the key that corresponds to the highlighted letter in the category title.

For more information on using the **Advanced Testing** screen, select the **Help** menu option.

 **NOTE:** The options displayed on your screen should reflect the hardware configuration of your computer.

Advanced Testing Help Menu

The **Help** options and a description of their functions are presented in the following table.

Help Option	Description
Menu	Describes the Advanced Testing screen, the Device Groups , and the diagnostic menus and commands and gives instructions on how to use them
Keys	Explains the functions of all keystrokes that can be used in the Dell Diagnostics
Device Group	Describes the highlighted group in the Device Groups list on the main menu and provides reasons for using certain tests
Device	Describes the highlighted device in the Device Groups list on the Advanced Testing screen
Test	Describes the test procedure for each highlighted test group subtest
Versions	Lists the version numbers of the subtests

[Back to Contents Page](#)

Diskette, Tape, and CD-ROM Drives: Dell™ OptiPlex™ GX100 System User's Guide

[Installing a CD-ROM Drive in a Small-Form-Factor Chassis](#)

[Installing a Diskette, Tape, or CD-ROM Drive in a Mini Tower Chassis](#)

[Installing a Diskette, Tape, or CD-ROM Drive in a Low-Profile Chassis](#)

[Connecting Drives](#)

Installing a CD-ROM Drive in a Small-Form-Factor Chassis

To install a CD-ROM drive in the 5.25-inch drive bay in the small-form-factor chassis, perform the following steps.

CAUTION: To avoid the possibility of electric shock, turn off the computer and any peripherals, disconnect them from their electrical outlets, and then wait at least 5 seconds before you remove the computer cover. Also, before you install a drive, see the other precautions in "[Safety First—For You and Your Computer.](#)"

1. Unpack the drive and prepare it for installation.

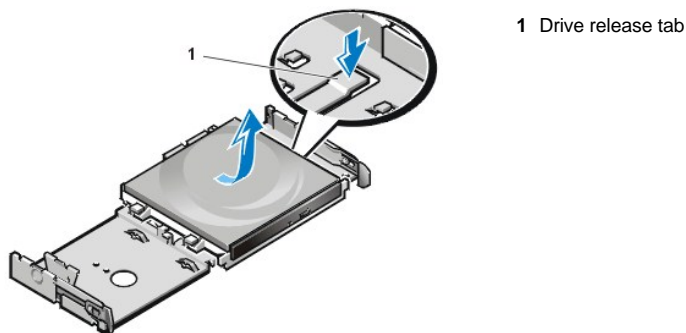
NOTICE: To avoid possibly damaging the drive by electromagnetic static (EMS), ground yourself by touching an unpainted metal surface on the back of the computer.

Check the documentation that accompanied the drive to verify that the drive is configured for your computer system. Change any settings necessary for your configuration.

2. Remove the computer cover as instructed in "[Removing and Replacing the Computer Cover.](#)"
3. If a drive is already installed in the drive bay, remove it.

Disconnect the power cable and interface cable from the back of the drive. Push down on the drive release tab on the right side of the drive (see Figure 1), and slide the drive forward out of the chassis.

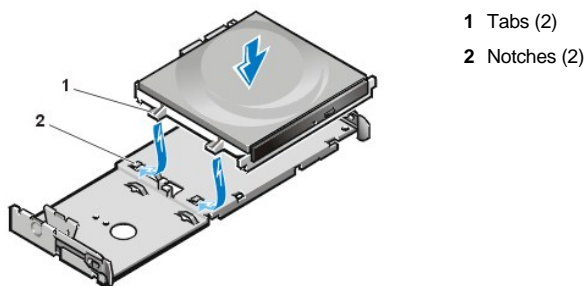
Figure 1. Removing a CD-ROM Drive From the Small-Form-Factor Chassis



4. Install the new drive in the chassis.

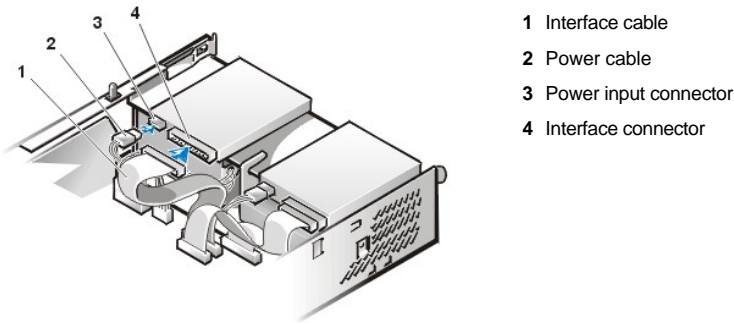
Align the tabs along the bottom of the drive with the notches on the chassis, and slide the drive toward the back of the chassis until it snaps into place (see Figure 2).

Figure 2. Inserting a CD-ROM Drive in the Small-Form-Factor Chassis



5. Connect a power cable and an interface cable to the appropriate connectors on the back of the drive (see Figure 3).

Figure 3. Attaching Cables to a CD-ROM Drive in the Small-Form-Factor Chassis



Check all cable connections. Fold cables out of the way to provide airflow for the fan and cooling vents.

6. [Replace the computer cover](#); reconnect your computer and peripherals to their electrical outlets, and turn them on.
7. Update your system configuration information.
Set the **Drive 0** option under **Drives: Secondary** to **Auto**. See "[Primary Drive *n* and Secondary Drive *n*](#)" for more information.
8. Verify that your system works correctly by running the [Dell Diagnostics](#).

Installing a Diskette, Tape, or CD-ROM Drive in a Low-Profile Chassis

To install a diskette, tape, or CD-ROM drive in a 5.25-inch drive bay in a low-profile chassis, perform the following steps.

⚠ CAUTION: To avoid the possibility of electric shock, turn off the computer and any peripherals, disconnect them from their electrical outlets, and then wait at least 5 seconds before you remove the computer cover. Also, before you install a drive, see the other precautions in "[Safety First—For You and Your Computer](#)."

1. Unpack the drive and prepare it for installation.

NOTICE: To avoid possibly damaging the drive by electromagnetic static (EMS), ground yourself by touching an unpainted metal surface on the back of the computer.

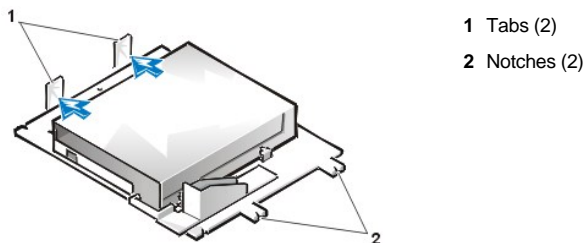
Check the documentation that accompanied the drive to verify that the drive is configured for your computer system. Change any settings necessary for your configuration.

If you are installing an enhanced integrated drive electronics (EIDE) drive, configure the drive for the cable select setting. You usually configure a drive for cable select by setting a jumper or switch, depending on the drive. For instructions on configuring the cable select setting, see the documentation that accompanied the drive.

2. Remove the computer cover as instructed in "[Removing and Replacing the Computer Cover](#)."
3. Remove the 3.5-inch diskette drive/bracket assembly.

Facing the front of the computer, press outward on the two tabs on the left side of the drive bay to disengage the bracket from the chassis (see Figure 4). Then rotate the bracket upward, and remove it from the chassis.

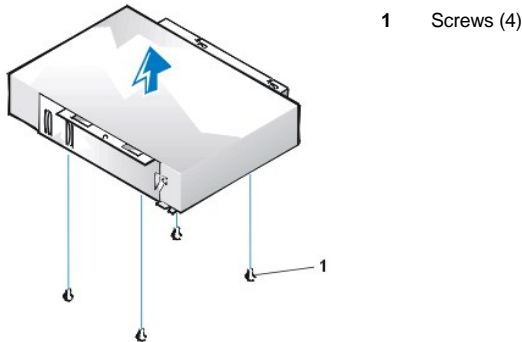
Figure 4. Removing the 3.5-Inch Diskette Drive/Bracket Assembly



4. Lift the 5.25-inch drive bracket straight up and out of the chassis (see [Figure 5](#)).

If a drive is already installed in the bay and you are replacing it, be sure to disconnect the DC power cable and interface cable from the back of the drive before you remove the drive/bracket assembly. To remove the old drive from the bracket, turn the drive/bracket assembly upside down and unscrew the four screws that secure the drive to the bracket (see Figure 5).

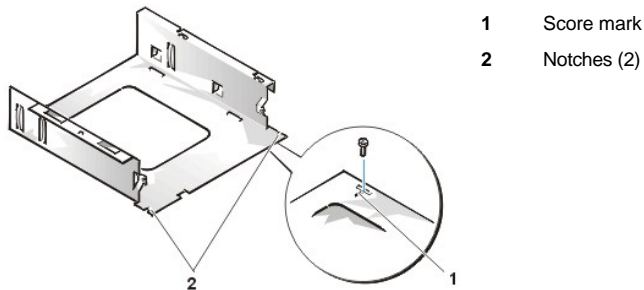
Figure 5. Removing the 5.25-Inch Drive Bracket



5. Attach the bracket to the new drive.

- a. Turn the drive upside down, and locate the four screw holes around its perimeter. Fit the bracket over the drive so that the notched end aligns with the front of the drive. Use the score marks on the drive bracket to help align the screw holes on the drive with the screw holes on the bracket (see Figure 6).

Figure 6. Installing a Drive in the 5.25-Inch Drive Bracket

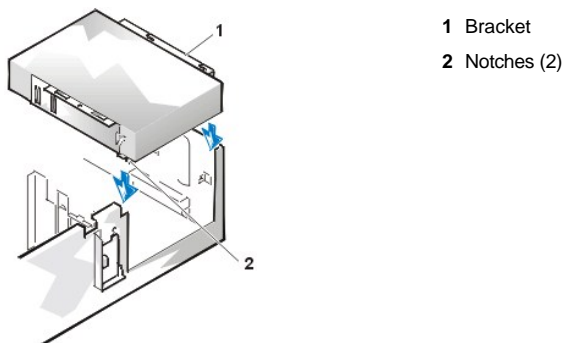


- b. To further ensure proper positioning of the drive in the bracket, insert and tighten all four screws in the order in which the holes are numbered (the holes are marked "1" through "4").

6. Reinstall the 5.25-inch diskette drive/bracket assembly in the chassis.

Align the notches on the front of the drive bracket (see [Figure 6](#)) with the front of the computer. Hold the bracket level, and lower the assembly straight down into place (see [Figure 7](#)).

Figure 7. Inserting the Drive/Bracket Assembly Into the Drive Bay

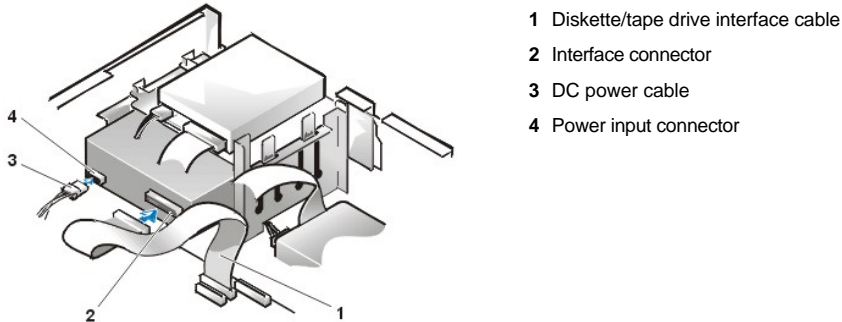


7. If you are installing a drive that has its own controller card, [install the controller card in an expansion slot](#).
8. Connect a DC power cable to the power input connector on the back of the drive (see [Figure 8](#)).

9. Connect the appropriate interface cable to the interface connector on the back of the drive (see [Figure 8](#)).

If your system came with an enhanced integrated drive electronics (EIDE) CD-ROM or tape drive, use the spare connector on the existing interface cable. Otherwise, use the EIDE interface cable provided in the drive kit.


Figure 8. Attaching Cables to a Drive in the 5.25-Inch Drive Bay



10. Connect the interface cable to the system board or a controller card, depending on the type of drive.
 - 1 For an EIDE tape drive or CD-ROM drive, connect the other end of the interface cable to the interface connector labeled "IDE2" on the system board (see [Figure 7](#) in "Inside Your Computer").
 - 1 For a diskette drive or non-EIDE tape drive, connect the cable from the drive to the interface connector labeled "DSKT" on the system board (see [Figure 7](#) in "Inside Your Computer").
 - 1 For a drive that comes with its own controller card, connect the other end of the interface cable to the controller card.


Check all cable connections. Fold cables out of the way to provide airflow for the fan and cooling vents.

11. If the 5.25-inch drive bay was previously empty, [remove the front-panel insert](#) from the front bezel.
12. [Replace the computer cover](#); reconnect your computer and peripherals to their electrical outlets, and turn them on.
13. Update your system configuration information.
 - 1 For a diskette drive, enter [System Setup](#) and update the appropriate [Diskette Drive A](#) or [Diskette Drive B](#) option to reflect the size and capacity of your new diskette drive.
 - 1 If you installed a non-EIDE tape drive as the second drive, set the [Diskette Drive B](#) option to **Not Installed**.
 - 1 For EIDE CD-ROM and tape drives, set the appropriate **Drive** option (**0** or **1**) under **Drives: Secondary to Auto**. See "[Primary Drive n and Secondary Drive n](#)" for more information.
14. Verify that your system works correctly by running the [Dell Diagnostics](#).

 **NOTE:** Tape drives sold by Dell come with their own operating software and documentation. After you install a tape drive, refer to the documentation that came with the drive for instructions on installing and using the tape drive software.

Installing a Diskette, Tape, or CD-ROM Drive in a Mini Tower Chassis

To install a diskette, tape, or CD-ROM drive in a 5.25-inch drive bay, perform the following steps.

 **CAUTION:** To avoid the possibility of electric shock, turn off the computer and any peripherals, disconnect them from their electrical outlets, and then wait at least 5 seconds before you remove the computer cover. Also, before you install a drive, see the other precautions in "[Safety First—For You and Your Computer](#)."

1. Unpack the drive and prepare it for installation.

NOTICE: To avoid possibly damaging the drive by electromagnetic static (EMS), ground yourself by touching an unpainted metal surface on the back of the computer.

Check the documentation that accompanied the drive to verify that the drive is configured for your computer system. Change any settings necessary for your configuration.

If you are installing an enhanced integrated drive electronics (EIDE) drive, configure the drive for the cable select setting. The cable select setting is located on the drive. To configure the cable select setting, see the documentation that accompanied the drive.

2. Remove the computer cover as instructed in "[Removing and Replacing the Computer Cover.](#)"
3. Remove the front bezel (mini tower only) as instructed in "[Removing and Replacing the Front Bezel.](#)"
4. Remove the drive bracket from the bay you want to use.
 - a. Squeeze the metal tabs that extend from each side of the drive bracket toward each other, and pull the bracket out of the bay (see [Figure 9](#)).


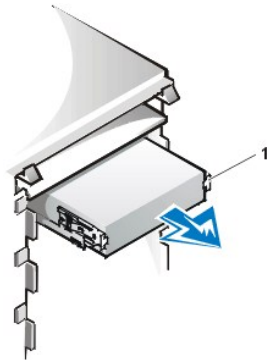
 **NOTE:** For easier access inside the chassis, you may want to [rotate the power supply out of the way](#) temporarily.

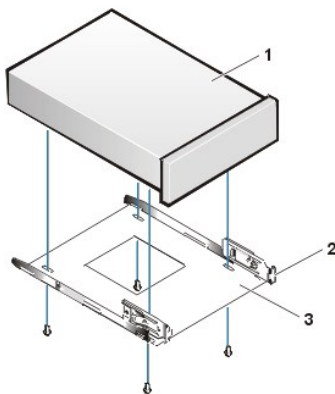
Figure 9. Removing a Drive



1 Bracket tabs (2)

- b. If a drive is already installed in the bay and you are replacing it, disconnect the DC power cable and interface cable from the back of the drive before you slide the bracket out of the bay.
 - c. To remove the installed drive from the bracket, turn the drive/bracket assembly upside down and unscrew the four screws that secure the drive to the bracket (see [Figure 10](#)).
5. Attach the bracket to the replacement drive.
 - a. Turn the drive upside down, and locate the four screw holes around its perimeter.
 - b. Fit the bracket over the drive, and then tilt the front of the drive up so that the bracket drops down into place.
 - c. To ensure proper installation, align all screw holes and ensure that the tabs on the front of the bracket are flush with the front of the drive (see [Figure 10](#)).

Figure 10. Attaching the Drive Bracket to the New Drive



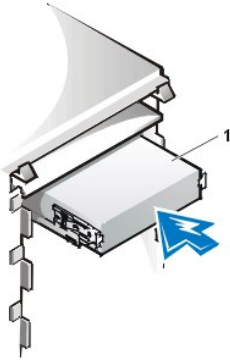
1 5.25-inch drive
 2 Bracket tabs (2)
 3 Bracket

- d. To further ensure proper positioning of the drive in the bracket, insert and tighten all four screws *in the order in which the holes are numbered* (the holes are labeled "1" through "4").
6. Slide the drive into the drive bay until the drive snaps securely into place (see [Figure 11](#)).

Make sure that both bracket tabs snap into place in the drive bay.

Figure 11. Inserting the New Drive Into the Drive Bay

1 5.25-inch drive

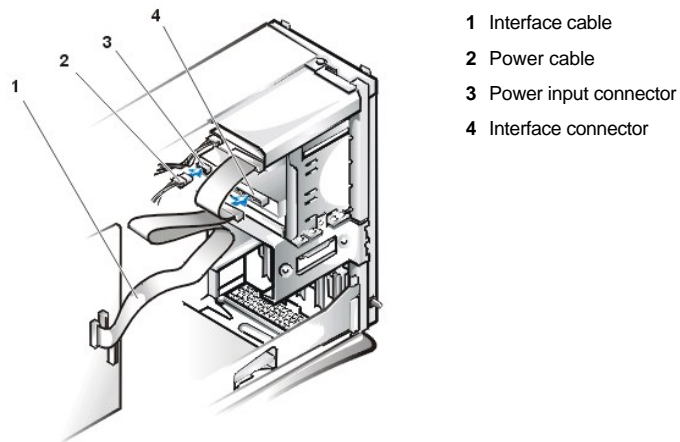


7. Connect a DC power cable to the power input connector on the back of the drive (see [Figure 12](#)).
8. Connect the appropriate interface cable to the interface connector on the back of the drive (see [Figure 12](#)).

If your system came with an EIDE CD-ROM or tape drive, use the spare connector on the existing interface cable. Otherwise, use the EIDE interface cable provided in the drive kit.

NOTICE: You must match the colored strip on the cable with pin 1 on the drive's interface connector to avoid possible damage to your system.


Figure 12. Attaching Diskette Drive or Tape Drive Cables



9. Connect the interface cable to the system board.
 1. For an EIDE tape drive or CD-ROM drive, connect the other end of the interface cable to the interface connector labeled "IDE2" on the system board (see [Figure 7](#) in "Inside Your Computer").
 1. For a diskette drive, connect the cable from the drive to the interface connector labeled "DSKT" on the system board (see [Figure Z](#) in "Inside Your Computer").

Check all cable connections. Fold cables out of the way to provide airflow for the fan and cooling vents.

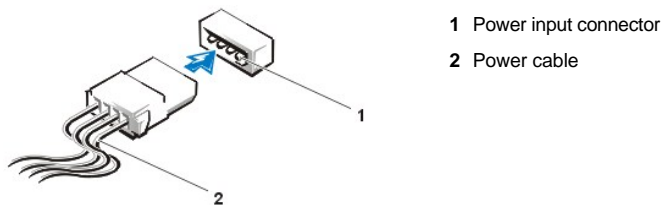
10. If the 5.25-inch drive bay was previously empty, [remove the front-panel insert](#) from the front bezel.
11. Replace the front bezel (mini tower only).
12. Replace the computer cover, reconnect your computer and peripherals to their electrical outlets, and turn them on.
13. Update your system configuration information in [System Setup](#).
 1. For a diskette drive, update the appropriate [Diskette Drive](#) option (**A** or **B**) to reflect the size and capacity of your new diskette drive.
 1. For EIDE CD-ROM and tape drives, set the appropriate [Secondary Drive](#) option (**0** or **1**) to **Auto**.
14. Verify that your system works correctly by running the [Dell Diagnostics](#).

 **NOTE:** Tape drives sold by Dell come with their own operating software and documentation. After you install a tape drive, refer to the documentation that came with the drive for instructions on installing and using the tape drive software.

Connecting Drives

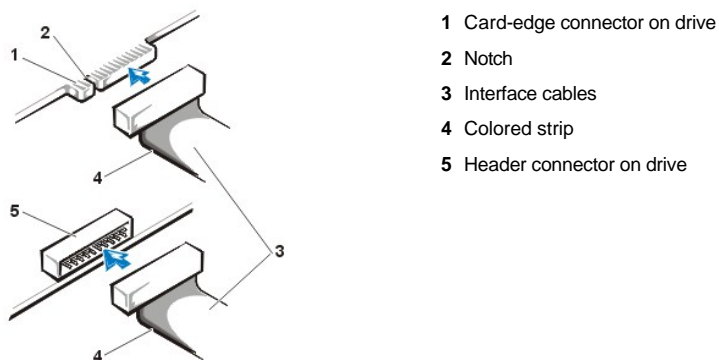
When you install a drive, you connect two cables—a DC power cable and an interface cable—to the back of the drive. Your drive's power input connector (to which you connect the DC power cable) resembles the connector shown in Figure 13.

Figure 13. Power Cable Connector



The drive's interface connector is a card-edge connector or a header connector, as shown in Figure 14.

Figure 14. Drive Interface Connectors



When you attach the interface cable to a drive, be sure to match the colored strip on the cable to pin 1 of the drive's interface connector. For the location of pin 1 on the drive's interface connector, see the documentation that came with the drive.

When you disconnect an interface cable from the system board, be sure to press in on the locking tabs on the cable connector before you disconnect the cable. When you attach an interface cable to the system board, be sure that the locking tabs snap into place so that the cable is firmly attached to the connector on the system board.

Most interface connectors are keyed for correct insertion; that is, a notch or a missing pin on one connector matches a tab or a filled-in hole on the other connector (see [Figure 14](#)). Keyed connectors ensure that the pin-1 wire in the cable (indicated by the colored strip along one edge of the cable) goes to the pin-1 end of the connector.

The pin-1 end of a connector on a board or a card is usually indicated by a silk-screened "1" printed directly on the board or card.

NOTICE: When you connect an interface cable, do not reverse the interface cable (do not place the colored strip away from pin 1 of the connector). Reversing the cable prevents the drive from operating and could damage the controller, the drive, or both.

[Back to Contents Page](#)

Expansion Cards: Dell™ OptiPlex™ GX100 System User's Guide

[Overview](#)

[Installing an Expansion Card](#)

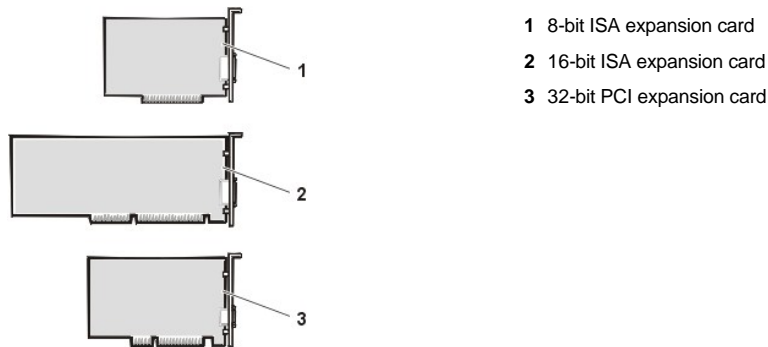
[Riser Boards](#)

[Removing an Expansion Card](#)

Overview

OptiPlex GX100 systems can accommodate a mix of 32-bit Peripheral Component Interconnect (PCI) expansion cards and, optionally, 16-bit and 8-bit Industry-Standard Architecture (ISA) expansion cards, depending on the chassis and [riser board](#). See Figure 1 for examples of the expansion cards.


Figure 1. Expansion Cards



Riser Boards

The expansion-card connectors are located on a riser board that differs for each chassis:

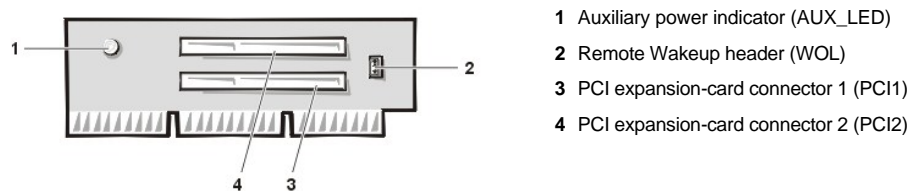
- 1 [Small-form-factor chassis riser board](#)
- 1 [Low-profile chassis riser board](#)
- 1 [Mini tower chassis riser board](#)

 **NOTE:** If you choose one of the optional riser boards with ISA expansion-card connectors, evaluate the performance of any ISA expansion cards on a single system before you order other ISA riser boards. Dell recommends this step due to the broad range of ISA implementations in the computer industry.

Small-Form-Factor Chassis Riser Board

The small-form-factor chassis riser board has two PCI expansion-card connectors (see Figure 2).

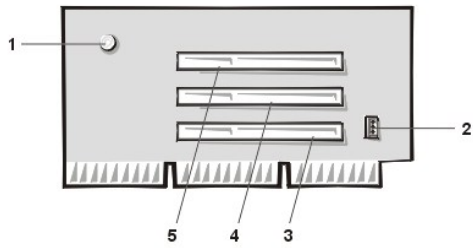
Figure 2. Small-Form-Factor Chassis Riser Board



Low-Profile Chassis Riser Board

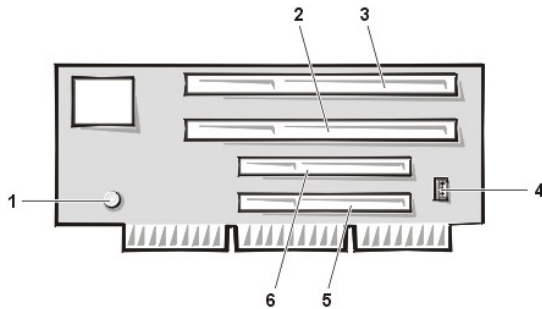
The low-profile chassis is available with either a PCI riser board (see [Figure 3](#)) or a PCI/ISA riser board (see [Figure 4](#)). The PCI riser board provides three PCI expansion card slots. The PCI/ISA riser board provides one PCI expansion slot, one ISA expansion slot, and one shared PCI/ISA expansion slot.

Figure 3. Low-Profile Chassis PCI Riser Board (Standard)



- 1 Auxiliary power indicator (AUX_LED)
- 2 Remote Wakeup header (WOL)
- 3 PCI expansion-card connector 1 (PCI1)
- 4 PCI expansion-card connector 2 (PCI2)
- 5 PCI expansion-card connector 3 (PCI3)

Figure 4. Low-Profile Chassis PCI/ISA Riser Board (Optional)

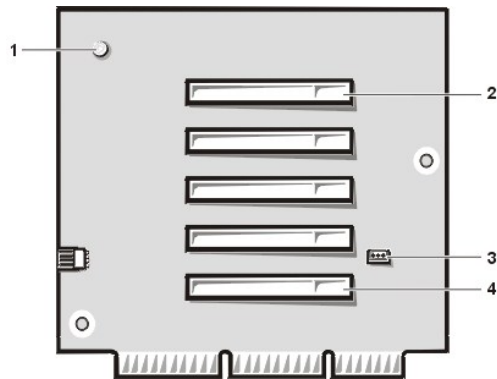


- 1 Standby power indicator (AUX_LED)
- 2 ISA expansion slot 1 (ISA1)
- 3 ISA expansion slot 2 (ISA2)
- 4 Remote Wakeup header (WOL)
- 5 PCI expansion slot 1 (PCI1)
- 6 PCI expansion slot 2 (PCI2)

Mini Tower Chassis Riser Board

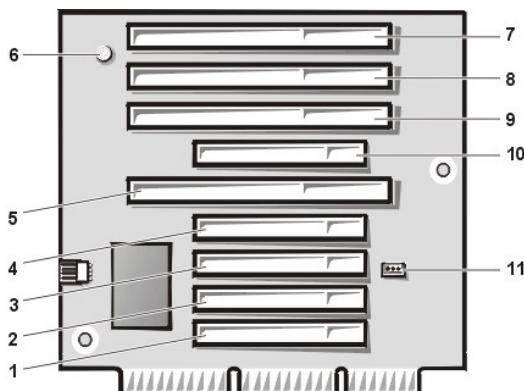
The mini tower chassis is available with either a PCI riser board (see [Figure 5](#)) or a PCI/ISA riser board (see [Figure 6](#)). The PCI riser board provides five PCI expansion card slots. The PCI/ISA riser board provides three PCI expansion slots, two ISA expansion slots, and two shared PCI/ISA expansion slots.

Figure 5. Mini Tower Chassis PCI Riser Board (Standard)



- 1 Auxiliary power indicator (AUX_LED)
- 2 PCI expansion-card connector 5 (PCI5)
- 3 Remote Wakeup header (WOL)
- 4 PCI expansion-card connector 1 (PCI1)

Figure 6. Mini Tower Chassis PCI/ISA Riser Board (Optional)



- 1 PCI expansion slot 1 (PCI1)
- 2 PCI expansion slot 2 (PCI2)
- 3 PCI expansion slot 3 (PCI3)
- 4 PCI expansion slot 4 (PCI4)
- 5 ISA expansion slot 1 (ISA1)
- 6 Standby power indicator LED (AUX_LED)
- 7 ISA expansion slot 4 (ISA4)
- 8 ISA expansion slot 3 (ISA3)
- 9 ISA expansion slot 2 (ISA2)
- 10 PCI expansion slot 5 (PCI5)
- 11 Remote Wakeup header (WOL)

Installing an Expansion Card

To install an expansion card, perform the following steps.

⚠ CAUTION: To avoid the possibility of electric shock, turn off the computer and any peripherals, disconnect them from their electrical outlets, and then wait at least 5 seconds before you remove the computer cover. Also, before you install an expansion card, see the other precautions in "[Safety First—For You and Your Computer](#)."

1. Prepare the expansion card for installation, and remove the computer cover according to the instructions in "[Removing and Replacing the Computer Cover](#)."
2. See the documentation that came with the expansion card for information on configuring the card, making internal connections, or otherwise customizing it for your system.

⚠ CAUTION: Some network cards automatically start up the system when they are connected. To guard against electrical shock, be sure to unplug your computer from its electrical outlet before you install any expansion cards.

3. Unscrew and remove the metal filler bracket that covers the card-slot opening for the expansion-card connector you intend to use (see Figure 7).

Save the screw for use when you install the expansion card later in this procedure.

Figure 7. Removing the Filler Bracket



4. Insert the expansion card into the expansion-card connector.
 - a. If the expansion card is full-length, insert the front end of the card into the corresponding card guide on the inside front of the chassis as you insert the card into its connector.
 - b. Insert the card's edge connector firmly into the expansion-card connector.
 - c. Gently rock the card into the connector until it is fully seated (see [Figure 8](#), [Figure 9](#), or [Figure 10](#) for instructions for the small-form-factor, low-profile, and mini tower chassis, respectively).

Figure 8. Installing an Expansion Card in a Small-Form-Factor Chassis

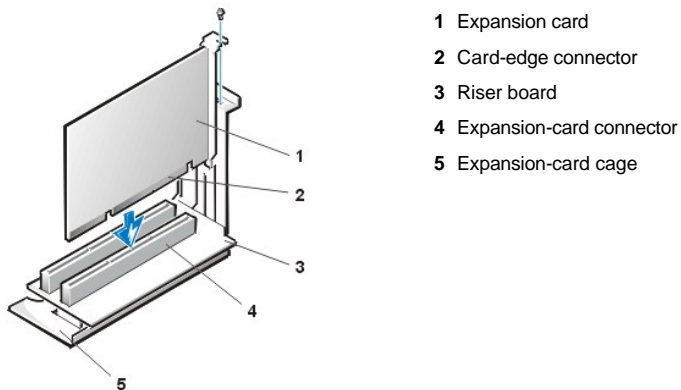


Figure 9. Installing an Expansion Card in a Low-Profile Chassis

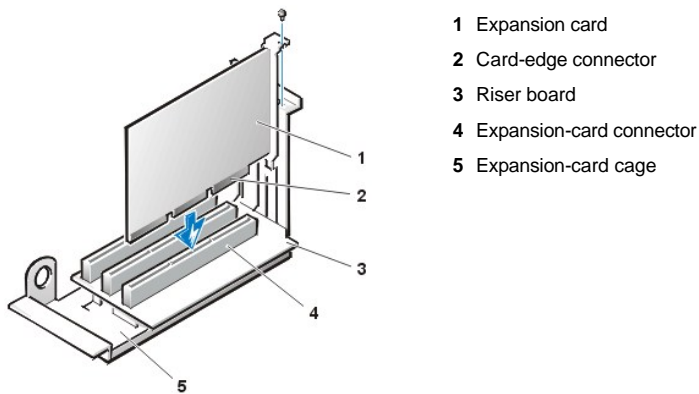
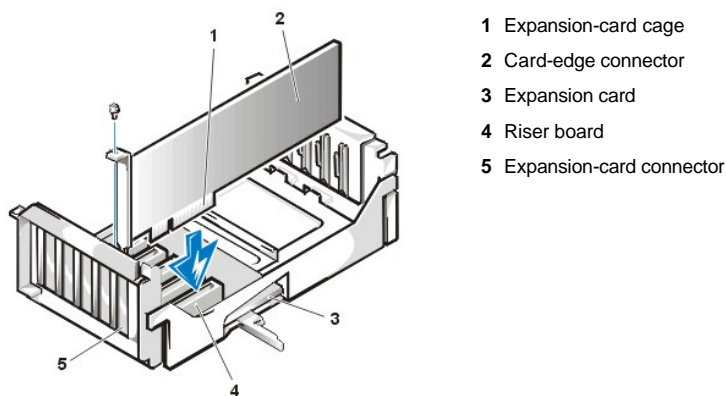



Figure 10. Installing an Expansion Card in a Mini Tower Chassis




5. When the card is firmly seated in the connector, secure the card's mounting bracket to the chassis with the screw you removed in step 2.
6. Connect any cables that should be attached to the card.
See the documentation for the card for information about the card's cable connections.
7. Replace the computer cover, and reconnect your computer and peripherals to their electrical outlets and turn them on.

 **NOTE:** After you remove and replace the cover, the chassis intrusion detector causes the following message to appear on the screen at the next system start-up:

ALERT! Cover was previously removed.

8. To reset the chassis intrusion detector, enter System Setup and reset **Chassis Intrusion** to **Enabled** or **Enabled-Silent**.


See "[Chassis Intrusion](#)" for instructions.

9.  **NOTE:** If a setup password has been assigned by someone else, contact your network administrator for information on resetting the chassis intrusion detector.

While in System Setup, if you installed an entry-level OptiPlex sound card, change the setting for **Sound** to **Off**.


Removing an Expansion Card

To remove an expansion card, perform the following steps.


 **CAUTION:** To avoid the possibility of electric shock, turn off the computer and any peripherals, disconnect them from their electrical outlets, and then wait at least 5 seconds before you remove the computer cover. Also, before you remove or replace an expansion card, see the other precautions in "[Safety First—For You and Your Computer](#)."

1. Remove the computer cover according to the instructions in "[Removing and Replacing the Computer Cover](#)."

2. If necessary, disconnect any cables connected to the card.
3. Unscrew the mounting bracket of the card you want to remove.
4. Grasp the card by its outside corners, and ease it out of its connector.
5. If you are removing the card permanently, install a metal filler bracket over the empty card-slot opening.


 *NOTE: You must install filler brackets over empty card-slot openings to maintain Federal Communications Commission (FCC) certification of the system. The brackets also keep dust and dirt out of your computer.*

6. Replace the computer cover, and reconnect your computer and peripherals to their electrical outlets and turn them on.

 *NOTE: After you remove and replace the cover, the chassis intrusion detector causes the following message to appear on the screen at the next system start-up:*

ALERT! Cover was previously removed.

7. To reset the chassis intrusion detector, enter System Setup and reset [Chassis Intrusion](#) to **Enabled** or **Enabled-Silent**.

8.  *NOTE: If a setup password has been assigned by someone else, contact your network administrator for information on resetting the chassis intrusion detector.*

[Back to Contents Page](#)

[Back to Contents Page](#)

External Components: Dell™ OptiPlex™ GX100 System User's Guide

[Overview](#)

[Troubleshooting the Monitor](#)

[Troubleshooting the Keyboard](#)

[Troubleshooting the Mouse](#)

[Troubleshooting I/O Ports](#)

[Troubleshooting Basic I/O Functions](#)

[Troubleshooting a Parallel Printer](#)

[Troubleshooting a Serial I/O Device](#)

Overview

This section provides troubleshooting procedures for equipment that connects directly to the input/output (I/O) panel of your computer, such as your monitor, keyboard, mouse, or printer. Before performing any of the procedures in this section, see "[Checking Connections and Switches](#)." Then perform the troubleshooting procedures for the equipment that is malfunctioning.

You need a copy of the *Dell ResourceCD* to perform the procedures in this section.

Before running the [Dell Diagnostics](#), make sure that your system is set to boot from the CD-ROM drive. See "[Starting the Dell Diagnostics](#)" for complete instructions.

Troubleshooting the Monitor

Troubleshooting video problems involves determining which of the following is the source of the problem:

- 1 Monitor or monitor interface cable
- 1 Video controller

The procedures in this section troubleshoot problems with the monitor and the monitor interface cable only.

If information on the monitor screen is displayed incorrectly or not at all, perform each of the following steps in the order indicated until the problem is resolved:

1. Turn on the system, including any attached peripherals.
2. Adjust the switches and controls as specified in the monitor's documentation to correct the video image, including the horizontal and vertical position and size.
3. Start the [Dell Diagnostics](#) by inserting the *Dell ResourceCD* into the CD-ROM drive and rebooting the system.
4. Run the **Video** test group.
5. Turn off the system and disconnect it from the electrical outlet. Swap the monitor with one of the same type that is working, and reconnect the system to an electrical outlet.
6. Reboot the system, and run the **Video** test group again.

If the tests complete successfully, the original monitor was faulty. If the tests still fail, the video controller on the system board may be faulty. See "[Getting Help](#)" for instructions on obtaining technical assistance.

Troubleshooting the Keyboard

This procedure determines what kind of keyboard problem you have. If a system error message indicates a keyboard problem when you start the computer system or if the keyboard does not operate as expected, perform the following steps in the order indicated until the problem is resolved:

1. If the keyboard or its cable shows signs of physical damage or if the keys do not work, replace the keyboard with a working keyboard.
2. Start the [Dell Diagnostics](#) by inserting the *Dell ResourceCD* into the CD-ROM drive and rebooting the system.
3. Run the **Keyboard** test group.
4. If the **Keyboard Interactive Test** fails, replace the keyboard.
5. If the **Keyboard Controller Test** fails, the system board may be faulty. See "[Getting Help](#)" for instructions on obtaining technical assistance.

Troubleshooting the Mouse

This procedure determines what kind of mouse problem you have. If a system error message indicates a mouse problem when you start the computer system or if the mouse does not operate as expected, perform the following steps in the order indicated until the problem is resolved:

1. Clean the mouse as instructed in your mouse documentation.

Most mice have a ball that can be removed and cleaned of debris by turning the mouse upside down and removing a cover on the bottom of the mouse. Also remove any lint or other debris that has accumulated on the bottom of the mouse.

2. If the mouse or its cable shows signs of physical damage or if the buttons do not work, replace the mouse with a working mouse.
3. Start the [Dell Diagnostics](#) by inserting the *Dell ResourceCD* into the CD-ROM drive and rebooting the system.
4. Run the **Mouse Test**.
5. If the **Mouse Test** fails, the system board may be faulty. See "[Getting Help](#)" for instructions on obtaining technical assistance.


Troubleshooting I/O Ports

This section provides a procedure for troubleshooting the ports on your computer's I/O panel and the equipment connected to them, such as a printer, scanner, or other peripheral device.

You can also use this procedure to test I/O ports on expansion cards. However, you should first complete the procedures in "[Troubleshooting Expansion Cards](#)" to verify that the card is configured and installed correctly.

If a system error message indicates a port problem or if equipment connected to a port seems to perform incorrectly or not at all, the source of the problem may be any of the following:

- 1 A faulty connection between the I/O port and the peripheral device
- 1 A faulty cable between the I/O port and the peripheral device
- 1 A faulty peripheral device
- 1 Incorrect settings in [System Setup](#)
- 1 Incorrect settings in the system's configuration files
- 1 Faulty I/O port logic on the system board

 **NOTE:** With certain modems installed, the **Serial Port** test group subtests may fail because the modem appears to the diagnostics as a serial port, but it cannot be tested as a serial port. If you have a modem installed and you experience a serial port test failure, remove the modem and run the diagnostic tests again.

Troubleshooting Basic I/O Functions

If a system error message indicates an I/O port problem or the device connected to the port does not function properly, follow these steps in the order indicated until the problem is resolved:

1. Enter [System Setup](#) and verify that the settings for the **Serial Port 1**, **Serial Port 2**, and **Parallel Port** options are set to **Auto**.
2. Start the [Dell Diagnostics](#) by inserting the *Dell ResourceCD* into the CD-ROM drive and rebooting the system.
3. Run the **Serial/ Infrared Ports** test group and/or the **Parallel Ports** test group.

If any of the tests fail, the system board may be faulty. See "[Getting Help](#)" for instructions on obtaining technical assistance.

If the problem persists, go to "[Troubleshooting a Parallel Printer](#)" or "[Troubleshooting a Serial I/O Device](#)," depending on which device appears to be malfunctioning.

Troubleshooting a Parallel Printer

If the information in "[Troubleshooting Basic I/O Functions](#)" indicates that the problem is with a parallel printer, perform the following steps in the order indicated until the problem is resolved:

1. Reinstall the printer device driver.

See the documentation for the printer and for your operating system for instructions on reinstalling the printer driver.

2. Turn off the parallel printer and computer, replace the parallel printer interface cable with a known working cable, and turn on the parallel printer and computer.

If the problem is resolved, the original printer cable was faulty.

3. Run the parallel printer's self-test.

If the test fails, the printer is faulty.

If the problem still is not resolved, the system board may be faulty. See "[Getting Help](#)" for instructions on obtaining technical assistance.

Troubleshooting a Serial I/O Device

If the information in "[Troubleshooting Basic I/O Functions](#)" indicates that the problem is with a device connected to one of the serial ports, perform the following steps in the order indicated until the problem is resolved:

1. Attach the serial device to the other serial port (for example, if it is currently connected to serial port 1, attach the device to serial port 2).

If the problem is resolved, the serial port on the system board is faulty. See "[Getting Help](#)" for instructions on obtaining technical assistance.

2. If the faulty device has a detachable serial cable, replace the serial cable.

If the problem is resolved, the serial cable was faulty.

3. Replace the faulty serial device.

If the problem is still not resolved, the system board may be faulty. See "[Getting Help](#)" for instructions on obtaining technical assistance.>

[Back to Contents Page](#)

[Back to Contents Page](#)

Getting Help: Dell™ OptiPlex™ GX300 System User's Guide

 [Help Overview](#)

 [Contacting Dell](#)

[Back to Contents Page](#)

Hard-Disk Drives: Dell™ OptiPlex™ GX100 System User's Guide

[General Information About EIDE Hard-Disk Drives](#)

[Installing an EIDE Hard-Disk Drive in a Low-Profile Chassis](#)

[Installing an EIDE Hard-Disk Drive in a Small-Form-Factor Chassis](#)

[Installing an EIDE Hard-Disk Drive in a Mini Tower Chassis](#)

General Information About EIDE Hard-Disk Drives

The small form-factor and low-profile chassis support a single enhanced integrated drive electronics (EIDE) hard-disk drive in the hard-disk drive bay. In the mini tower chassis, you can install up to two EIDE drives (one of which must be 1 inch high or less) in the hard-disk drive bracket below the drive cage. The first EIDE drive is installed in the 1-inch (lower) drive bay labeled "HD1"; a second drive is installed in the 1.6-inch bay labeled "HD2."

EIDE Drive Addressing

All EIDE devices require that you configure the cable select setting, which assigns master and slave status to devices according to their position on the interface cable. You usually configure a drive for cable select by setting a jumper or switch, depending on the drive. Refer to the drive documentation in your upgrade kit for information on configuring devices for the cable select setting. When you connect two EIDE devices to a single EIDE interface cable and configure them for the cable select setting, the device attached to the last connector on the interface cable is the master or boot device (drive 0) and the device attached to the middle connector on the interface cable is the slave device (drive 1).

With the two EIDE interface connectors on the system board, your system supports up to four EIDE devices in the mini tower chassis; the small-form-factor and low-profile chassis support up to two EIDE devices. EIDE hard-disk drives should be connected to the EIDE interface connector labeled "IDE1." (Always connect EIDE tape drives and CD-ROM drives to the EIDE interface connector labeled "IDE2.")

Installing an EIDE Hard-Disk Drive in a Small-Form-Factor Chassis

To install an EIDE hard-disk drive in a small-form-factor chassis, perform the following steps:

⚠ CAUTION: To avoid the possibility of electric shock, turn off the computer and any peripherals, disconnect them from electrical outlets, and then wait at least 15 seconds before you remove the computer cover. Also, before you install a drive, see the other precautions in "[Safety First — For You and Your Computer](#)."

1. If you are replacing a hard-disk drive that contains data you want to keep, be sure to make a backup of your files before you continue this procedure.
2. Prepare the drive for installation.

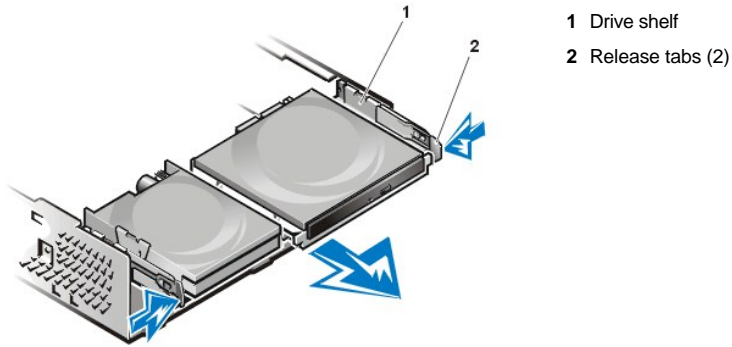
NOTICE: Ground yourself by touching an unpainted metal surface on the back of the computer.

NOTICE: When you unpack the drive, do not set it on a hard surface, which may damage the drive. Instead, set the drive on a surface, such as a foam pad, that will sufficiently cushion it.

Check the documentation for the drive to verify that it is configured for your computer system.

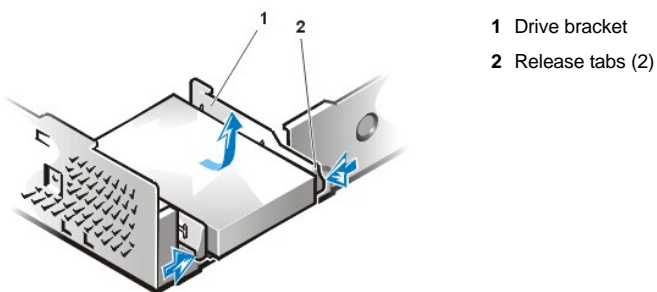
3. Remove the computer cover as instructed in "[Removing and Replacing the Computer Cover](#)."
4. Remove the drive shelf from the chassis.
 - a. Disconnect the power and interface cables from the diskette drive and CD-ROM drive (if any).
 - b. Press inward on the two drive shelf release tabs, and pull the shelf forward and out of the chassis (see Figure 1).

Figure 1. Removing the Drive Shelf From the Small-Form-Factor Chassis



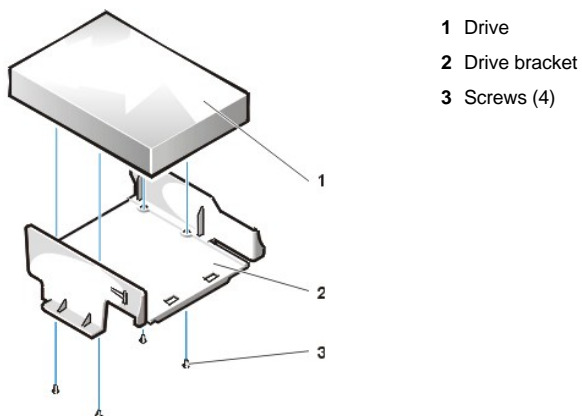
5. Remove the drive bracket from the chassis.
 - a. If a drive is already installed in the bracket, disconnect the power and interface cables from the back of the drive.
 - b. Squeeze the tabs on each side of the drive bracket, and slide it forward about one inch (see Figure 2).

Figure 2. Removing the Hard-Disk Drive Bracket From the Small-Form-Factor Chassis



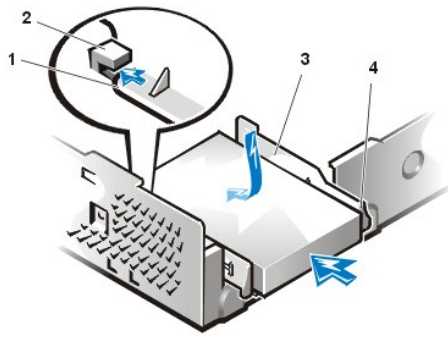
- c. Lift the drive bracket away from the chassis.
 - d. If a drive is already installed in the bracket, remove the four screws securing the drive to the bottom of the bracket (see Figure 3).

Figure 3. Removing a Hard-Disk Drive From the Hard-Disk Drive Bracket



6. Secure the new drive to the drive bracket with four screws (see Figure 3).
7. Reinstall the hard-disk drive bracket in the chassis.
 - a. Place the bracket so that the release tabs extend about one inch past the front of the chassis, and align the tabs on the bottom of the bracket with the hooks on the chassis floor.
 - b. Then slide the bracket toward the back of the chassis until the tabs snap under the hooks (see Figure 4). The bracket release tabs should also snap into the front of the chassis.

Figure 4. Reinstalling the Hard-Disk Drive Bracket in the Small-Form-Factor Chassis



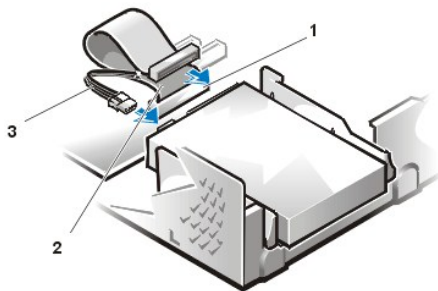
- 1 Tabs on bottom of drive bracket
- 2 Hooks on chassis floor
- 3 Drive bracket
- 4 Release tabs (2)

8. Connect a power cable to the power input connector on the back of the drive, and connect an EIDE cable to the interface connector on the back of the drive (see [Figure 5](#)).

Check all connectors to be certain that they are properly cabled and firmly seated.

NOTICE: You must match the colored strip on the EIDE cable with pin 1 on the drive's interface connector to avoid possible damage to your system.

Figure 5. Attaching Hard-Disk Drive Cables in the Small-Form-Factor Chassis



- 1 IDE1 connector
- 2 EIDE cable
- 3 Power cable

9. If it is not already connected, connect the blue end of the EIDE cable to the IDE1 connector on the system board.

NOTICE: You must match the colored strip on the EIDE cable with pin 1 on the IDE1 connector to avoid possible damage to your system.

To locate the IDE1 connector on the system board, see [Figure 7](#) in "Inside Your Computer."

10. [Replace the computer cover](#). Then reconnect your computer and peripherals to their electrical outlets, and turn them on.
11. Insert a bootable system diskette into drive A.
12. Turn on the computer system.
13. Enter [System Setup](#), and update [Primary Drive 0](#).

After you update the System Setup settings, reboot the system.

14. Partition and logically format your drive before proceeding to the next step.

See the documentation for your operating system for instructions.

15. Test the hard-disk drive by running the [Dell Diagnostics](#).
16. If the drive you just installed is the primary drive, install your operating system on the hard-disk drive.

For instructions, refer to the documentation that came with your operating system.

Installing an EIDE Hard-Disk Drive in a Low-Profile Chassis

To install an EIDE hard-disk drive in a low-profile chassis, perform the following steps:

⚠ CAUTION: To avoid the possibility of electric shock, turn off the computer and any peripherals, disconnect them from electrical outlets, and then wait at least 15 seconds before you remove the computer cover. Also, before you install a drive, see the other precautions in "[Safety First — For You and Your Computer.](#)"

1. If you are replacing a hard-disk drive that contains data you want to keep, be sure to make a backup of your files before you begin this procedure.
2. Prepare the drive for installation.

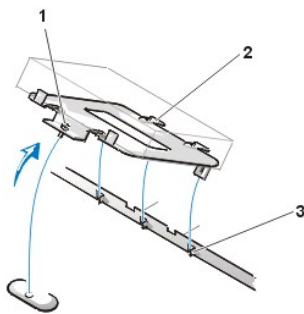
NOTICE: Ground yourself by touching an unpainted metal surface on the back of the computer.

NOTICE: When you unpack the drive, do not set it on a hard surface, which may damage the drive. Instead, set the drive on a surface, such as a foam pad, that will sufficiently cushion it.

Check the documentation for the drive to verify that it is configured for your computer system.

3. [Remove the computer cover.](#)
4. Remove the drive bracket from the chassis.
 - a. If a hard-disk drive is already installed in the drive bracket, disconnect the DC power cable and EIDE cable from the drive.
 - b. Remove the screw securing the hard-disk drive bracket to the drive cage in the chassis.
 - c. Grasp the bracket, and rotate it outward from the chassis until the sliding tab clears the slide rail on the drive cage (see Figure 6). Lift the bracket up slightly to free its hinge tabs from the chassis slots.

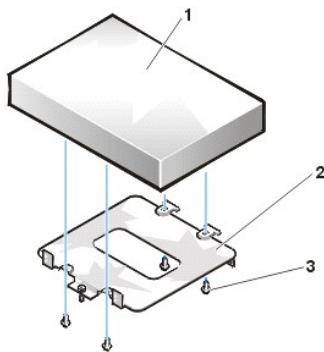
Figure 6. Removing the Hard-Disk Drive Bracket



- 1 Captive screw
- 2 Tabs on back of drive bracket (2)
- 3 Slots in chassis floor divider (3)

5. Slide the drive into the chosen bay of the bracket, orienting the drive so that the connectors on the back of the drive will face the back of the chassis when you reinstall the bracket (see [Figure 7](#)).
6. Align the four screw holes of the drive and bracket. Insert and tighten the screws that came with your upgrade kit.
 - a. If you are installing a drive in the 1.6-inch bay, use the four screw holes in the side of the bracket (see [Figure 7](#)).
 - b. If you are installing a drive in the 1-inch bay, use the four screw holes in the bottom of the bracket.

Figure 7. Inserting a 1.6-Inch Hard-Disk Drive in the Bracket



- 1 Hard-disk drive
- 2 Bracket
- 3 Screws (4)

7. Reinstall the hard-disk drive bracket in the chassis.
 - a. Insert the bracket's hinge tabs into the chassis slots so that the tabs hook over the slots.

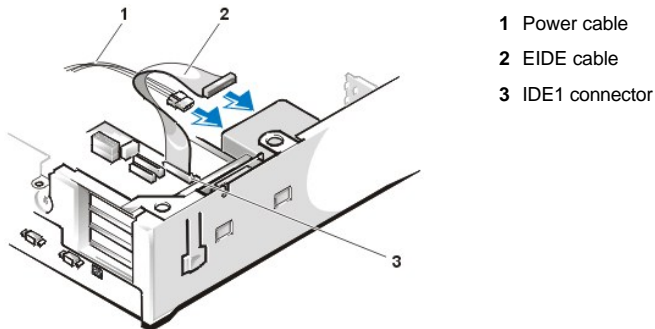
- b. Then rotate the bracket toward the drive cage, and fit the bracket's sliding tab on the drive-cage slide rail.
 - c. Slide the bracket into place, and reinstall the screw you removed in step 4.
8. Connect a power cable to the power input connector on the back of the drive (see [Figure 8](#)).

Check all connectors to be certain that they are properly cabled and firmly seated.

9. Connect one of the device connectors on the EIDE cable to the 40-pin interface connector on the back of the hard-disk drive.

NOTICE: You must match the colored strip on the EIDE cable with pin 1 on the drive's interface connector to avoid possible damage to your system.

Figure 8. Attaching Hard-Disk Drive Cables



10. If it is not already connected, connect the other end of the EIDE cable to the IDE1 connector on the system board.

NOTICE: You must match the colored strip on the EIDE cable with pin 1 on the IDE1 connector to avoid possible damage to your system.

To locate the IDE1 connector on the system board, see [Figure 7](#) in "Inside Your Computer."

11. Replace the computer cover. Then reconnect your computer and peripherals to their electrical outlets, and turn them on.
12. If the drive you just installed is the primary drive, insert a bootable system diskette into drive A.
13. Turn on the computer system.
14. Enter [System Setup](#), and update the appropriate [Primary Drive](#) option (0 or 1).
15. After you update the System Setup settings, reboot the system.
16. Partition and logically format your drive before you proceed to the next step.
17. Test the hard-disk drive by running the [Dell Diagnostics](#).
18. If the drive you just installed is the primary drive, install your operating system on the hard-disk drive.

For instructions, refer to the documentation that came with your operating system.

Installing an EIDE Hard-Disk Drive in a Mini Tower Chassis

To install an EIDE hard-disk drive in a mini tower chassis, perform the following steps:

⚠ CAUTION: To avoid the possibility of electric shock, turn off the computer and any peripherals, disconnect them from electrical outlets, and then wait at least 15 seconds before you remove the computer cover. Also, before you install a drive, see the other precautions in ["Safety First — For You and Your Computer."](#)

1. If you are replacing a hard-disk drive that contains data you want to keep, be sure to make a backup of your files before you continue this procedure.
2. Prepare the drive for installation.

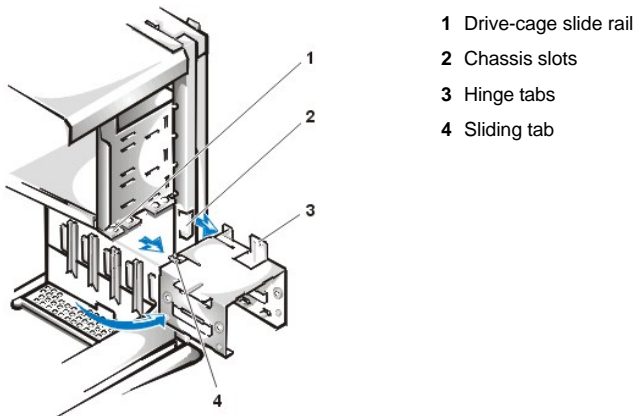
NOTICE: To avoid possibly damaging the drive by electromagnetic static (EMS), ground yourself by touching an unpainted metal surface on the back of the computer.

NOTICE: When you unpack the drive, do not set it on a hard surface, which may damage the drive. Instead, set the drive on a surface, such as a foam pad, that will sufficiently cushion it.

Check the documentation for the drive to verify that it is configured for your computer system.

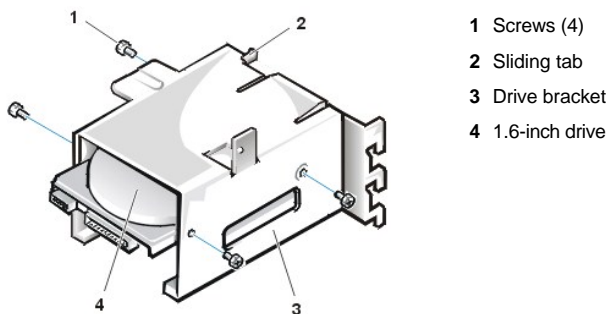
3. [Remove the computer cover.](#)
4. Remove the drive bracket from the chassis.
 - a. If a hard-disk drive is already installed in the drive bracket, disconnect the DC power cable and EIDE cable from the drive.
 - b. Remove the screw securing the hard-disk drive bracket to the drive cage in the chassis.
 - c. Grasp the bracket, and rotate it outward from the chassis until the sliding tab clears the slide rail on the drive cage (see Figure 9). Lift the bracket up slightly to free its hinge tabs from the chassis slots.

Figure 9. Removing the Hard-Disk Drive Bracket



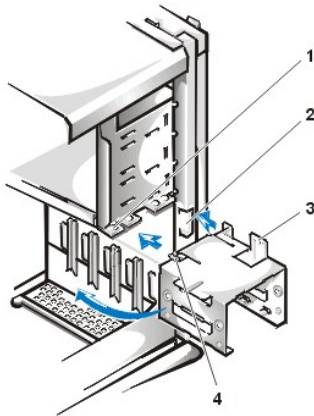
5. Slide the drive into the chosen bay of the bracket, orienting the drive so that the connectors on the back of the drive will face the back of the chassis when you reinstall the bracket (see [Figure 10](#)).
6. Align the four screw holes of the drive and bracket. Insert and tighten the screws that came with your upgrade kit.
 1. If you are installing a drive in the 1.6-inch bay, use the four screw holes in the side of the bracket (see [Figure 10](#)).
 1. If you are installing a drive in the 1-inch bay, use the four screw holes in the bottom of the bracket.

Figure 10. Inserting a 1.6-Inch Hard-Disk Drive in the Bracket



7. Reinstall the hard-disk drive bracket in the chassis (see [Figure 11](#)).
 - a. Insert the bracket's hinge tabs into the chassis slots so that the tabs hook over the slots.
 - b. Then rotate the bracket toward the drive cage, and fit the bracket's sliding tab on the drive-cage slide rail.
 - c. Slide the bracket into place, and reinstall the screw you removed in step 4.

Figure 11. Inserting the Drive Bracket in the Chassis



- 1 Drive-cage slide rail
- 2 Chassis slots
- 3 Hinge tabs
- 4 Sliding tabs

8. Connect a power cable to the power input connector on the back of the drive (see [Figure 12](#)).

Check all connectors to be certain that they are properly cabled and firmly seated.

9. Connect one of the device connectors on the EIDE cable to the 40-pin interface connector on the back of the hard-disk drive.

NOTICE: You must match the colored strip on the EIDE cable with pin 1 on the drive's interface connector to avoid possible damage to your system.


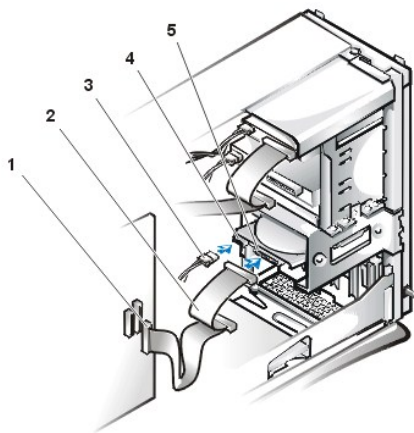
 **NOTE:** On systems with hard-disk drives larger than 2 GB, create a primary partition of 2 GB and divide the remaining capacity into partitions of 2 GB or less. For example, a system with a 2.5-GB hard-disk drive would have a primary partition of 2 GB (drive C) and a second partition of 500 MB (drive D). Hard-disk drives must be partitioned this way because MS-DOS-based operating systems (including Windows NT, when using a file allocation table [FAT] 16 file system) do not support drive partitions larger than 2 GB.

Figure 12. Attaching Hard-Disk Drive Cables



- 1 Interface connector
- 2 Interface cable
- 3 Power cable
- 4 Power input connector on drive
- 5 Interface connector on drive

10. If it is not already connected, connect the other end of the EIDE cable to the IDE1 connector on the system board.

NOTICE: You must match the colored strip on the EIDE cable with pin 1 on the IDE1 connector to avoid possible damage to your system.

To locate the IDE1 connector, see [Figure 7](#) in "Inside Your Computer."

11. [Replace the computer cover](#). Then reconnect your computer and peripherals to their electrical outlets, and turn them on.

12. If the drive you just installed is the primary drive, insert a bootable system diskette into drive A.

13. Turn on the computer system.

14. Enter [System Setup](#), and update the appropriate [Primary Drive](#) option (0 or 1).

15. After you update the System Setup settings, reboot the system.

16. Partition and logically format your drive before you proceed to the next step.

See the documentation for your operating system for instructions.

17. Test the hard-disk drive by running the [Dell Diagnostics](#).
18. If the drive you just installed is the primary drive, install your operating system on the hard-disk drive.

For instructions, refer to the documentation that came with your operating system.

[Back to Contents Page](#)

[Back to Contents Page](#)

Help Overview: Dell™ OptiPlex™ GX100 System User's Guide

 [Technical Assistance](#)

 [Product Information](#)

 [Help Tools](#)

 [Returning Items for Warranty Repair or Credit](#)

 [Problems With Your Order](#)


 [Before You Call](#)

Technical Assistance

If you need assistance with a technical problem, perform the following steps:

1. Run the Dell Diagnostics.
2. Make a copy of the [Diagnostics Checklist](#) and fill it out.
3. Use Dell's extensive suite of online services available at Dell's World Wide Web site (<http://www.dell.com>) for help with installation and troubleshooting procedures.
4. If the preceding steps have not resolved the problem, call Dell for technical assistance.


When prompted by Dell's automated telephone system, enter your Express Service Code to route the call directly to the proper support personnel. If you do not have an Express Service Code, open the **Dell Accessories** folder, double-click the **Express Service Code** icon, and follow the directions.

 *NOTE: Dell's Express Service Code system may not be available in all countries.*

For instructions on using the technical support service, see "[Technical Support Service](#)" and "[Before You Call](#)."

Help Tools

Dell provides a number of tools to assist you. These tools are described in the following sections.

 *NOTE: Some of the following tools are not always available in all locations outside the continental U.S. Please call your local Dell representative for information on availability.*

World Wide Web

The Internet is your most powerful tool for obtaining information about your computer and other Dell products. Through the Internet, you can access most of the services described in this section, including AutoTech, TechFax, order status, technical support, and product information.

You can access Dell's support Web site at <http://support.dell.com>. To select your country, click the map that appears. The **Welcome to support.dell.com** page opens. Enter your system information to access help tools and information.

You can contact Dell electronically by using the following addresses:

- 1 World Wide Web

<http://www.dell.com/>

<http://www.dell.com/ap/> (for Asian/Pacific countries only)

<http://www.euro.dell.com> (for Europe only)

<http://www.dell.com/la/> (for Latin American countries)

- 1 Anonymous file transfer protocol (FTP)

<ftp.dell.com/>

Log in as user: anonymous, and use your e-mail address as your password.

- 1 Electronic Support Service

mobile_support@us.dell.com

support@us.dell.com

apsupport@dell.com (for Asian/Pacific countries only)

support.euro.dell.com (for Europe only)

1 Electronic Quote Service

sales@dell.com

apmarketing@dell.com (for Asian/Pacific countries only)

1 Electronic Information Service

info@dell.com

AutoTech Service

Dell's automated technical support service—AutoTech—provides recorded answers to the questions most frequently asked by Dell customers.

When you call AutoTech, you use your touch-tone telephone to select the subjects that correspond to your questions. You can even interrupt an AutoTech session and continue the session later. The code number that the AutoTech service gives you allows you to continue your session where you ended it.

The AutoTech service is available 24 hours a day, seven days a week. You can also access this service through the technical support service. For the telephone number to call, see the [contact numbers](#) for your region.

TechFax Service

Dell takes full advantage of fax technology to serve you better. Twenty-four hours a day, seven days a week, you can call the Dell TechFax line toll-free for all kinds of technical information.

Using a touch-tone phone, you can select from a full directory of topics. The technical information you request is sent within minutes to the fax number you designate. For the TechFax telephone number to call, see the [contact numbers](#) for your region.

Automated Order-Status System

You can call this automated service to check on the status of any Dell products that you have ordered. A recording prompts you for the information needed to locate and report on your order. For the telephone number to call, see the [contact numbers](#) for your region.

Technical Support Service

Dell's industry-leading hardware technical support service is available 24 hours a day, seven days a week, to answer your questions about Dell hardware.

Our technical support staff pride themselves on their track record: more than 90 percent of all problems and questions are taken care of in just one toll-free call, usually in less than 10 minutes. When you call, our experts can refer to records kept on your Dell system to better understand your particular question. Our technical support staff uses computer-based diagnostics to provide fast, accurate answers to questions.

To contact Dell's technical support service, see "[Before You Call](#)" and then call the number for your country as listed in "[Contacting Dell](#)."

Problems With Your Order

If you have a problem with your order, such as missing parts, wrong parts, or incorrect billing, contact Dell for customer assistance. Have your invoice or packing slip handy when you call. For the telephone number to call, see the [contact numbers](#) for your region.

Product Information

If you need information about additional products available from Dell, or if you would like to place an order, visit Dell's World Wide Web site at <http://www.dell.com>. For the telephone number to call to speak to a sales specialist, see "[Contacting Dell](#)."

Returning Items for Warranty Repair or Credit

Prepare all items being returned, whether for repair or credit, as follows:

1. Call Dell to obtain an authorization number, and write it clearly and prominently on the outside of the box.

For the telephone number to call, see the [contact numbers](#) for your region.


2. Include a copy of the invoice and a letter describing the reason for the return.

3. Include a copy of the [Diagnostics Checklist](#) indicating the tests you have run and any error messages reported by the Dell Diagnostics.
4. Include any accessories that belong with the item(s) being returned (power cables, software diskettes, guides, and so on) if the return is for credit.
5. Pack the equipment to be returned in the original (or equivalent) packing materials.


You are responsible for paying shipping expenses. You are also responsible for insuring any product returned, and you assume the risk of loss during shipment to Dell. Collect On Delivery (C.O.D.) packages are not accepted.

Returns that are missing any of the preceding requirements will be refused at our receiving dock and returned to you.

Before You Call

 **NOTE:** Have your Express Service Code ready when you call. The code helps Dell's automated-support telephone system direct your call more efficiently.

Remember to fill out the [Diagnostics Checklist](#). If possible, turn on your system before you call Dell for technical assistance and call from a telephone at or near the computer. You may be asked to type some commands at the keyboard, relay detailed information during operations, or try other troubleshooting steps possible only at the computer system itself. Make sure the system documentation is available.

 **CAUTION:** If you need to remove the computer covers, be sure to first disconnect the computer system's power and modem cables from all electrical outlets.

Diagnostics Checklist

Date:
Name:
Address:
Phone number:
Service tag (bar code on the back of the computer):
Express Service Code:
Return Material Authorization Number (if provided by Dell support technician):
Operating system and version:
Peripherals:
Expansion cards:
Are you connected to a network? Yes No
Network, version, and network card:
Programs and versions:
Refer to your operating system documentation to determine the contents of the system's start-up files. If the computer is connected to a printer, print each file. Otherwise, record the contents of each file before calling Dell.
Error message, beep code, or diagnostic code:
Description of problem and troubleshooting procedures you performed:

[Back to Contents Page](#)

Front-Panel Inserts: Dell™ OptiPlex™ GX100 System User's Guide

[Low-Profile Chassis Front-Panel Inserts](#)

[Mini Tower Chassis Front-Panel Inserts](#)

Low-Profile Chassis Front-Panel Inserts

Empty drive bays contain a front-panel insert to protect the inside of the computer from dust particles and also to ensure proper airflow within the computer. Before you install a drive in an empty drive bay, you must remove the front-panel insert.

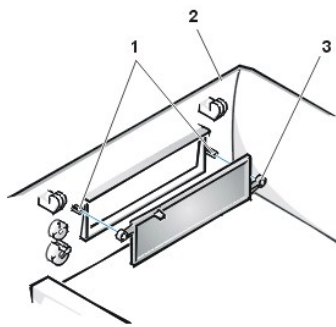
To remove the insert covering the 5.25-inch bay, perform the following steps:

1. Turn off the system, including any attached peripherals, and disconnect all the AC power cables from their electrical outlets.

⚠ CAUTION: Before you remove the computer cover, see "[Safety First—For You and Your Computer.](#)"

2. [Remove the computer cover.](#)
3. Lay the computer cover upside down on a flat work surface, with the front of the cover facing toward you.
4. With your thumbs, press in each end of the insert until it snaps free of the cover (see Figure 1).

Figure 1. Removing the Front-Panel Insert for the 5.25-Inch Bay (Low-Profile Chassis)



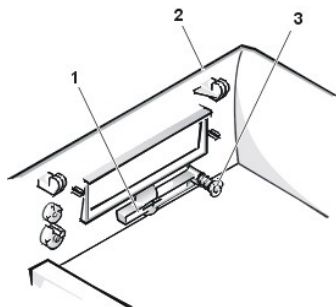
- 1 Posts (2)
- 2 Computer cover (upside down)
- 3 Ring tabs (2)

To replace the front-panel insert for the 5.25-inch bay, work from inside the cover. Position the insert behind the bay opening, insert the two ring-tabs (see [Figure 1](#)) over the posts on the inside of the opening, and firmly press both ends of the insert into place.

To remove the insert covering the 3.5-inch bay, perform the following steps:

1. Complete steps 1 through 3 of the procedure for removing the 5.25-inch insert.
2. Inside the cover, locate the eject button mechanism for the 3.5-inch bay (see [Figure 2](#)). Press the mechanism toward the front panel to snap the plastic insert out of its opening.

Figure 2. Removing the Front-Panel Insert for the 3.5-Inch Bay (Low-Profile Chassis)



- 1 3.5-inch front-panel insert
- 2 Computer cover (upside down)
- 3 Eject button mechanism

To replace the front-panel insert for the 3.5-inch bay, work from outside the cover. Place the insert in position and press it into the opening.

Mini Tower Chassis Front-Panel Inserts

Empty drive bays contain a front-panel insert to protect the inside of the computer from dust particles and also to ensure proper airflow within the computer. Before you install a drive in an empty drive bay, you must first remove the front-panel insert.

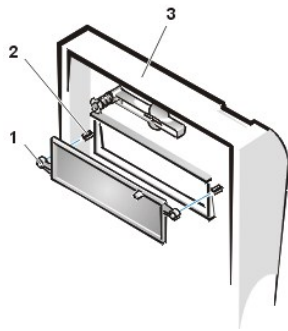
To remove the insert covering a 5.25-inch bay, perform the following steps:

1. Turn off the system, including any attached peripherals, and disconnect all the AC power cables from their electrical outlets.

⚠ CAUTION: Before you remove the computer cover, see "[Safety First—For You and Your Computer.](#)"

2. [Remove the computer cover.](#)
3. [Remove the front bezel.](#)
4. With your thumbs, press in each end of the insert until it snaps free of the bezel (see Figure 3).

Figure 3. Removing the Front-Panel Insert (Mini Tower Chassis)



- 1 Ring tabs (2)
- 2 Posts (2)
- 3 Computer cover

To replace a front-panel insert for a 5.25-inch bay, work from inside the bezel. Insert the two ring-tabs (one on each end of the insert) over the posts on the inside of the bay opening, and firmly press both ends of the insert into place (see [Figure 3](#)).

To remove the insert covering the 3.5-inch bay, perform the following steps:

1. Complete steps 1 through 3 of the procedure for removing a 5.25-inch insert.
2. Inside the cover, locate the eject button mechanism for the 3.5-inch bay (see [Figure 3](#)). Press the mechanism toward the front panel to snap the plastic insert out of its opening.

To replace the front-panel insert for the 3.5-inch bay, work from outside the cover. Place the insert in position, and press it into the opening.

[Back to Contents Page](#)

Inside Your Computer: Dell™ OptiPlex™ GX100 System User's Guide

- [Overview](#)
 - [Internal Views](#)
 - [System Board Components](#)
 - [System Board Jumpers](#)
 - [System Board Labels](#)
 - [Rotating the Power Supply Away From the System Board \(Mini Tower Chassis Only\)](#)
 - [Removing and Replacing the Front Bezel \(Mini Tower Chassis Only\)](#)
 - [Removing and Replacing the Expansion-Card Cage](#)
-

Overview

This section describes the inside of your computer as a reference for you to use before you perform an upgrade procedure. Before you remove the computer cover, see "[Safety First—For You and Your Computer](#)" and "[Removing and Replacing the Computer Cover](#)."

Internal Views

[Figure 1](#), [Figure 2](#), and [Figure 3](#) show a side view of the small-form-factor, low-profile, and mini tower chassis, respectively, to help you orient yourself when you work inside the computer.

Figure 1. Small-Form-Factor Chassis Orientation View

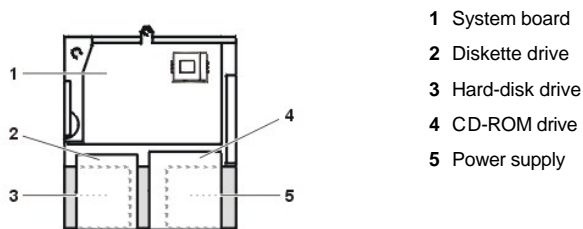


Figure 2. Low-Profile Chassis Orientation View

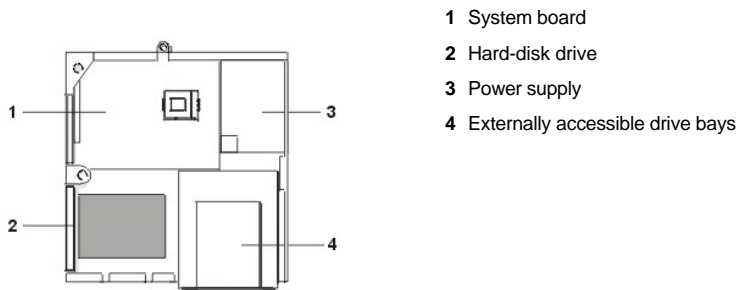


Figure 3. Mini Tower Chassis Orientation View

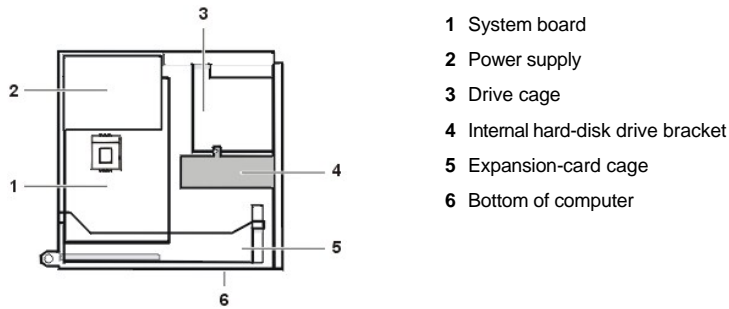


Figure 4, Figure 5, and Figure 6 show the small-form-factor, low-profile, and mini tower chassis, respectively, with the cover removed.

Figure 4. Inside the Small-Form-Factor Chassis

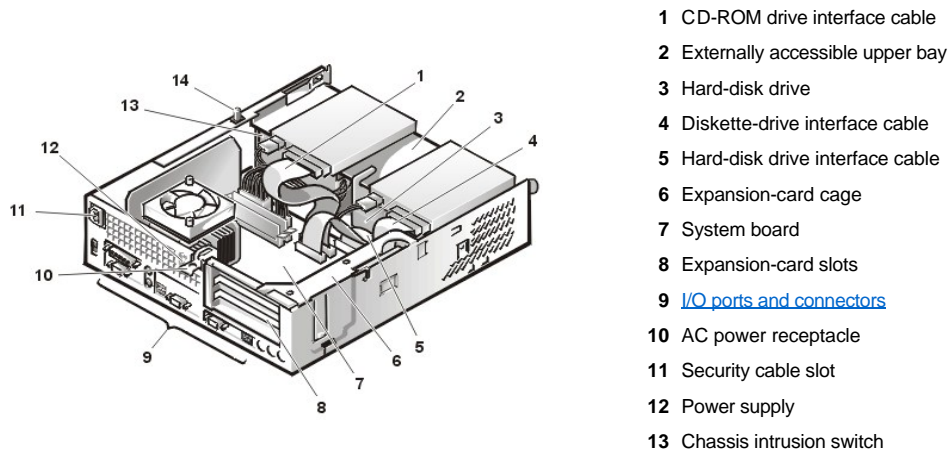


Figure 5. Inside the Low-Profile Chassis

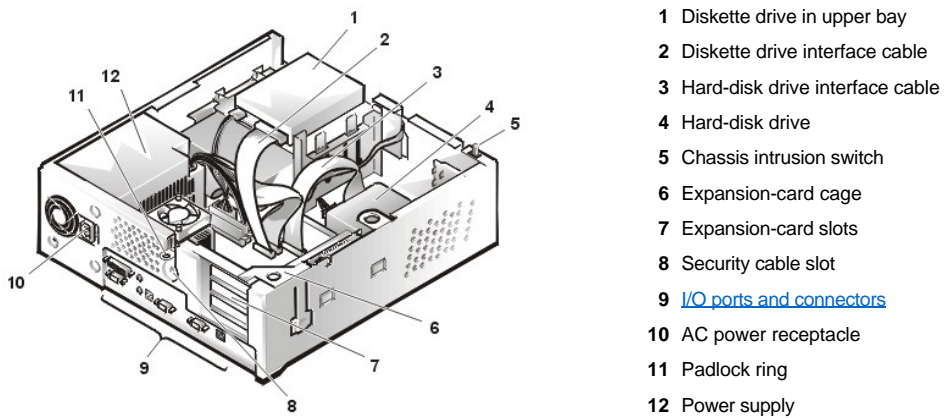
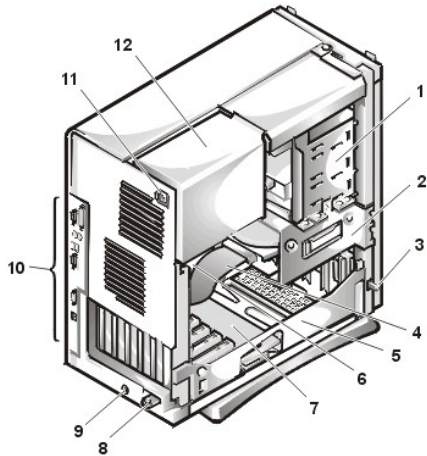


Figure 6. Inside the Mini Tower Chassis

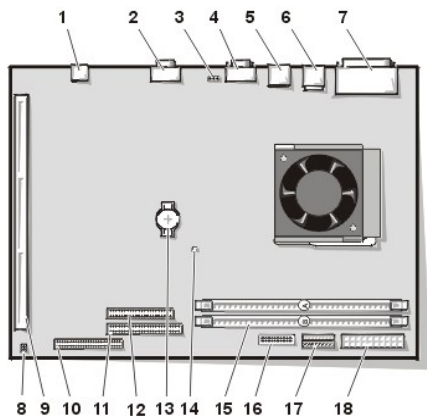


- 1 External drive bay
- 2 Internal drive cage
- 3 Chassis intrusion switch
- 4 Hard-disk drive interface cable
- 5 Expansion-card cage
- 6 System board
- 7 Riser board
- 8 Padlock ring
- 9 Security cable slot
- 10 [I/O ports and connectors](#)
- 11 AC power receptacle
- 12 Power supply

System Board Components

Figure 7 shows the system board and the location of all its sockets and connectors.

Figure 7. System Board Components

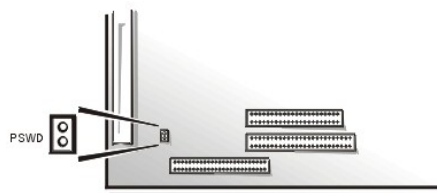


- 1 NIC connector
- 2 Video connector
- 3 Fan connector
- 4 Serial port 2 connector
- 5 USB connectors (2)
- 6 Keyboard (lower) and mouse (upper) connectors
- 7 Parallel port (upper) and serial port 1 (lower) connectors
- 8 System board jumpers
- 9 Riser board connector
- 10 IDE1 connector
- 11 IDE2 connector
- 12 Diskette/tape-drive connector
- 13 Battery
- 14 Auxiliary power indicator
- 15 DIMM connectors (2)
- 16 Control panel connector
- 17 3.3-V power connector
- 18 DC power connector

System Board Jumpers

Figure 8 shows the layout of jumpers on the system board. [Table 1](#) lists the system board jumpers and their settings.

Figure 8. System Board Jumpers







Jumpers are small blocks on a circuit board with two or more pins emerging from them. Plastic plugs containing a wire fit down over the pins. The wire connects the pins and creates a circuit.

To change a jumper setting, pull the plug off its pin(s) and carefully fit it down onto the pin(s) indicated.

NOTICE: Make sure your system is turned off and unplugged before you change a jumper setting. Otherwise, damage to your system or unpredictable results may occur.

Table 1. System-Board Jumper Settings

Jumper	Setting	Description
PSWD	 (default)	System password features are enabled.
		System password features are disabled.
 jumpered  unjumpered		

System Board Labels

Table 2 lists the labels for light-emitting diode (LED) indicators, connectors, and sockets on the system board, and it gives a brief description of their functions.

Table 2. System Board Indicators, Connectors, and Sockets

Connector or Socket	Description
AUX_LED	Auxiliary power indicator
B1	Battery socket
DIMM_x	Dual in-line memory module (DIMM) socket
DSKT	Diskette/tape drive interface connector
ENET	Integrated network interface controller (NIC) connector
FAN	Microprocessor fan connector
IDE _n	EIDE interface connector
INTRUSION	Chassis intrusion switch connector
KYBD	Keyboard connector
MICROPROCESSOR	Microprocessor connector
MONITOR	Video connector
MOUSE	Mouse connector
PANEL	Control panel connector
PARALLEL	Parallel port connector; sometimes referred to as <i>LPT1</i>
POWER_1	Main power input connector
POWER_2	3.3-volt (V) power input connector
RISER	Riser board connector
SERIAL _n	Serial port connectors
USB	Universal Serial Bus (USB) connectors

Rotating the Power Supply Away From the System Board (Mini Tower Chassis Only)

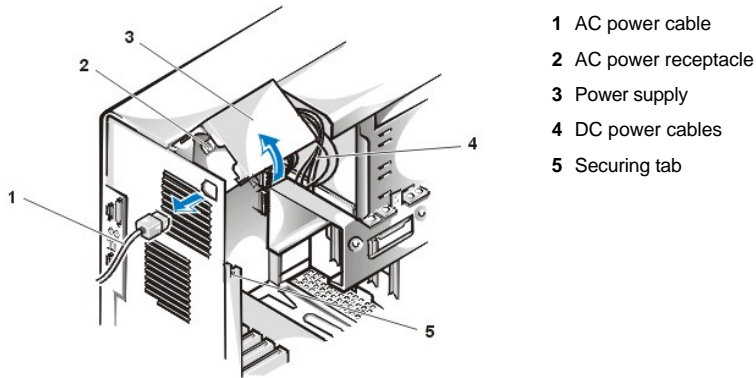
To access some components on the system board, you may have to rotate the mini tower chassis system power supply out of the way. To rotate the power supply, perform the following steps.

 **CAUTION:** Before you remove the computer cover, see "[Safety First—For You and Your Computer.](#)"

1. Remove the computer cover as instructed in "[Removing and Replacing the Computer Cover.](#)"

2. Disconnect the AC power cable from the AC power receptacle on the back of the power supply (see [Figure 9](#)).
3. Free the power supply from the securing tab labeled "RELEASE →," and rotate it upward until it locks in its extended position.

Figure 9. Rotating the Power Supply



- 1 AC power cable
- 2 AC power receptacle
- 3 Power supply
- 4 DC power cables
- 5 Securing tab

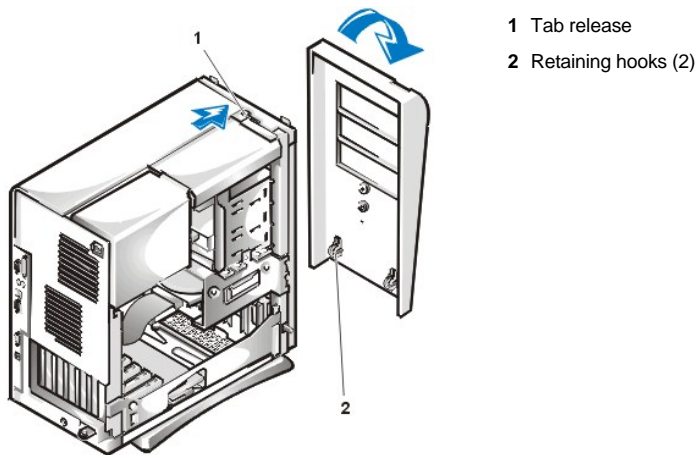
Removing and Replacing the Front Bezel (Mini Tower Chassis Only)

To access some drive bays in the mini tower chassis, you must first remove the front bezel. To remove the front bezel, perform the following steps.

⚠ CAUTION: Before you remove the computer cover, see "[Safety First—For You and Your Computer.](#)"

1. [Remove the computer cover.](#)
2. With the cover removed, release the bezel by pressing the tab release (see Figure 10).

Figure 10. Removing the Mini Tower Chassis Front Bezel



- 1 Tab release
- 2 Retaining hooks (2)

3. While you press the tab release, tilt the bezel away from the chassis, disengage the two retaining hooks at the bottom of the bezel, and carefully pull the bezel away from the chassis.

To replace the bezel, fit the two retaining hooks on the bezel into their corresponding slots at the bottom of the mini tower chassis. Then rotate the bezel toward the chassis until the tabs snap into their corresponding slots on the bezel.

Removing and Replacing the Expansion-Card Cage

This section describes how to remove and replace the expansion-card cage.

Removing and Replacing the Small-Form-Factor Chassis Expansion-Card Cage

To remove the expansion-card cage from the small-form-factor chassis, perform the following steps.

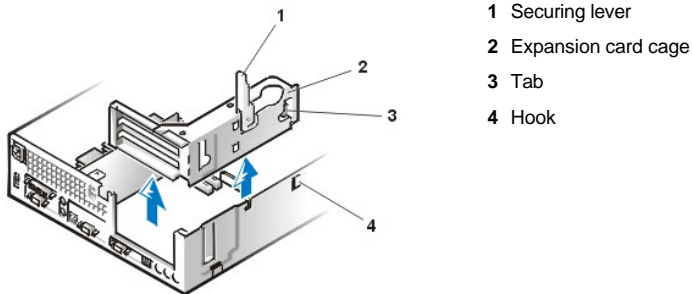
⚠ CAUTION: Before you remove the computer cover, see "[Safety First—For You and Your Computer.](#)"

1. Remove the computer cover as instructed in "[Removing and Replacing the Computer Cover.](#)"

Check any cables connected to expansion cards through the back-panel openings. Disconnect any cables that will not reach to where the cage must be placed upon removal from the chassis.

2. Locate the securing lever (see Figure 11).
3. Rotate the lever upward until it stops in an upright position.

Figure 11. Removing the Expansion-Card Cage From the Small-Form-Factor Chassis



4. Slide the expansion-card cage out of the chassis.
5. Lift the expansion-card cage up and away from the chassis.

To replace the expansion-card cage in the small-form-factor chassis, perform the following steps:

1. With the securing lever in the upright position, align the slots in the left side of the expansion-card cage with the tabs on the back and bottom of the chassis (see [Figure 11](#)). Slide the expansion-card cage into place.
2. Rotate the securing lever downward until it is flush with the top side of the chassis. Make sure that the riser board is fully seated in the RISER connector on the system board.
3. Reconnect any cables you removed in [step 2](#) of the previous procedure.

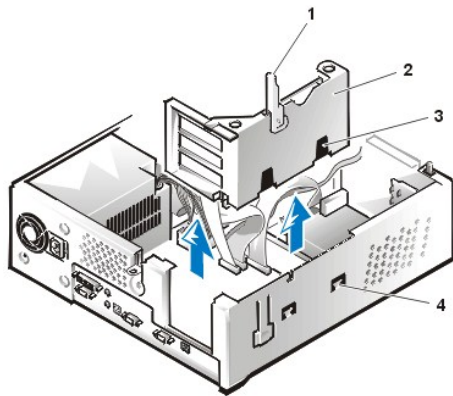
Removing and Replacing the Low-Profile Chassis Expansion-Card Cage

To remove the expansion-card cage from the low-profile chassis, perform the following steps.

⚠ CAUTION: Before you remove the computer cover, see "[Safety First—For You and Your Computer.](#)"

1. Remove the computer cover as instructed in "[Removing and Replacing the Computer Cover.](#)"
2. Check any cables connected to expansion cards through the back-panel openings. Disconnect any cables that will not reach to where the cage must be placed upon removal from the chassis.
3. Locate the securing lever (see Figure 12). Rotate the lever upward until it stops in an upright position.

Figure 12. Removing the Expansion-Card Cage From the Low-Profile Chassis



- 1 Securing lever
- 2 Expansion-card cage
- 3 Slots (2)
- 4 Tab

4. Slide the expansion-card cage out of the chassis.
5. Lift the expansion-card cage up and away from the chassis.

To replace the expansion-card cage in the low-profile chassis, perform the following steps:

1. With the securing lever in the upright position, align the slots in the left side of the expansion-card cage with the tabs on the back and bottom of the chassis (see [Figure 12](#)). Slide the expansion-card cage into place.
2. Rotate the securing lever downward until it is flush with the top side of the chassis. Make sure that the riser board is fully seated in the RISER connector on the system board.
3. Reconnect any cables you removed in [step 2](#) of the previous procedure.

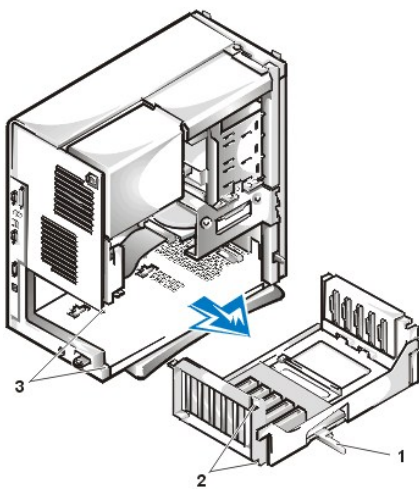
Removing and Replacing the Mini Tower Chassis Expansion-Card Cage

To remove the expansion-card cage from the mini tower chassis, perform the following steps.

⚠ CAUTION: Before you remove the computer cover, see "[Safety First—For You and Your Computer.](#)"

1. Remove the computer cover as instructed in "[Removing and Replacing the Computer Cover.](#)"
2. Check any cables connected to expansion cards through the back-panel openings. Disconnect any cables that will not reach to where the cage must be placed upon removal from the chassis.
3. Locate the securing lever (see [Figure 13](#)). Rotate the lever upward until it stops in an upright position.

Figure 13. Removing the Expansion-Card Cage From the Mini Tower Chassis



- 1 Securing lever
- 2 Tabs (2)
- 3 Slots (2)

4. Slide the expansion-card cage out of the chassis.
5. Lift the expansion-card cage up and away from the chassis.

To replace the expansion-card cage in the mini tower chassis, perform the following steps:

1. With the securing lever in the upright position, align the slots in the left side of the expansion-card cage with the tabs on the back and bottom of the chassis (see [Figure 13](#)). Slide the expansion-card cage into place.
 2. Rotate the securing lever inward until it is flush with the top side of the chassis. Make sure that the riser board is fully seated in the RISER connector on the system board (see [Figure 7](#)).
 3. Reconnect any cables you removed in [step 2](#) of the previous procedure.
-

[Back to Contents Page](#)

[Back to Contents Page](#)

Installing Upgrades: Dell™ OptiPlex™ GX100 System User's Guide

[● Inside Your Computer](#)

[● Expansion Cards](#)

[● System Memory](#)

[● Microprocessor](#)

[● Battery](#)

[● Hard-Disk Drives](#)

[● Diskette, Tape, and CD-ROM Drives](#)

[Back to Contents Page](#)

[Back to Contents Page](#)

Internal Components: Dell™ OptiPlex™ GX100 System User's Guide

- [Overview](#)
- [Safety First—For You and Your Computer](#)
- [Removing and Replacing the Computer Cover](#)
- [Troubleshooting a Wet Computer](#)
- [Troubleshooting a Damaged Computer](#)
- [Troubleshooting the Battery](#)
- [Troubleshooting Expansion Cards](#)
- [Troubleshooting System Memory](#)
- [Troubleshooting the Video Subsystem](#)
- [Troubleshooting the System Board](#)
- [Troubleshooting Drives](#)

Overview

This section provides troubleshooting procedures for components inside your computer. Before you start any of the procedures in this section, do the following:

- 1 Perform the procedures as described in "[Checking Connections and Switches](#)" and "[System Setup](#)."
- 1 Read the safety instructions in "[Safety First—For You and Your Computer](#)."

You need the following items to perform the procedures in this section:

- 1 A copy of the *Dell ResourceCD*
- 1 A small flat-blade screwdriver and a #1 Phillips-head screwdriver (or quarter-inch hex-nut driver)

Safety First—For You and Your Computer

The procedures in this section require that you remove the cover and work inside your computer. While working inside your computer, do not attempt to service the computer except as explained in this guide and elsewhere in Dell documentation. Always follow the instructions closely.

Working inside your computer is safe—if you observe the following precautions.

CAUTION FOR YOUR PERSONAL SAFETY AND PROTECTION OF THE EQUIPMENT


Before you start to work on the computer, perform the following steps in the sequence indicated:

1. *Turn off* the computer and all peripherals.
2. *Touch* an unpainted metal surface on the computer chassis, such as the metal around the card-slot openings at the back of your computer, before touching anything inside your computer.
3. *Disconnect* the computer and peripherals from their electrical outlets. Doing so reduces the potential for personal injury or shock. Also disconnect any telephone or telecommunication lines from the computer.

While you work, periodically touch an unpainted metal surface on the computer chassis to dissipate any static electricity that might harm internal components.

In addition, Dell recommends that you periodically review the safety instructions in your *System Information Guide*.

Removing and Replacing the Computer Cover

 **NOTE:** If your small form-factor or low-profile chassis has an optional stand attached to it, [remove the optional stand](#) before you remove the computer cover.

To remove the computer cover, perform the following steps:

1. Turn off your computer and peripherals, and observe the caution for your personal safety and protection of the equipment described in "[Safety First—For You and Your Computer](#)."

2. If you have installed a padlock through the [padlock ring](#) on the back panel, remove the padlock.
3. If your computer has a mini tower chassis, skip to [step 4](#). If your computer has a small-form-factor or low-profile chassis, remove the computer cover as follows:
 - a. Press in on the two securing buttons until the cover is free to swing up (see [Figure 1](#) or [Figure 2](#)).
 - b. Raise the back of the cover, and pivot it toward the front of the computer.
 - c. Lift the cover off the hooks at the front of the chassis.

Figure 1. Removing the Small-Form-Factor Computer Cover



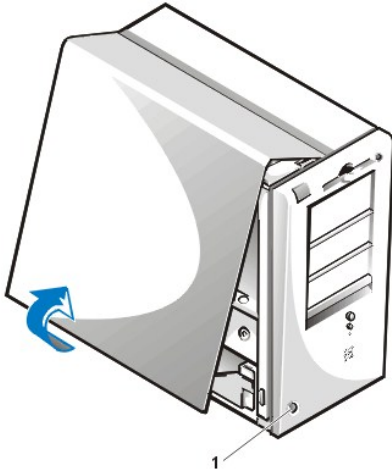
Figure 2. Removing the Low-Profile Computer Cover



4. If your computer has a mini tower chassis, remove the computer cover as follows:
 - a. Face the back of the computer and slide the upper half of the padlock ring to the left to unlock the cover release mechanism.
 - b. Face the left side cover and press the left-cover release button (located at the bottom-left corner of the front panel), see [Figure 3](#).
 - c. Lift the bottom of the cover, allowing it to pivot up toward you.
 - d. Disengage the tabs that secure the cover to the top of the chassis, and lift the cover away.

Figure 3. Removing the Mini Tower Computer Cover

1 Release button



To replace the computer cover, perform the following steps:

1. Check all cable connections, especially those that might have come loose during your work. Fold cables out of the way so that they do not catch on the computer cover. Make sure cables are not routed over the drive cage—they will prevent the cover from closing properly.
2. Check to see that no tools or extra parts (including screws) are left inside the computer's chassis.
3. If your computer has a mini tower chassis, skip to [step 4](#) . If your computer has a small-form-factor or low-profile chassis, replace the computer cover as follows:
 - a. Face the front of the computer and hold the cover at a slight angle as shown in [Figure 4](#) and [Figure 5](#).
 - b. Align the bottom of the cover with the bottom of the chassis, and insert the hooks on the cover into the recessed slots on the computer chassis so that the tabs catch the hooks inside the slots.
 - c. Pivot the cover down toward the back of the chassis and into position. Make sure that the securing buttons click into place.

Figure 4. Replacing the Small-Form-Factor Computer Cover

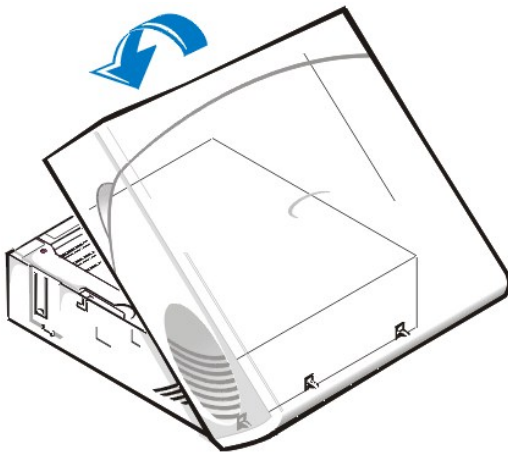
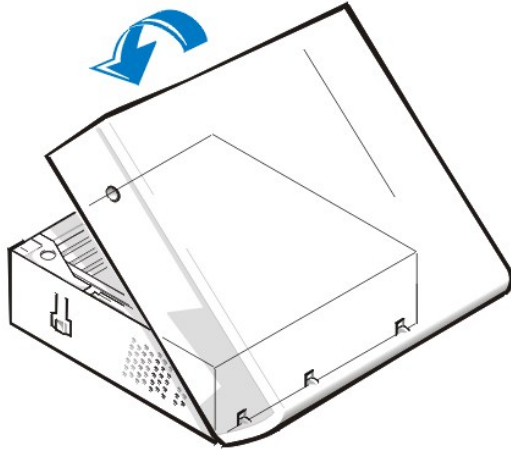
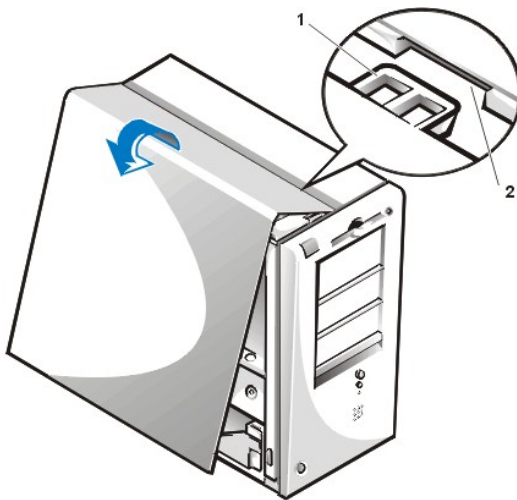


Figure 5. Replacing the Low-Profile Computer Cover



4. If your computer has a mini tower chassis, replace the computer cover as follows:
 - a. Face the left side of the computer and hold the cover at a slight angle as shown in [Figure 6](#). While aligning the top of the cover with the top of the chassis, insert the hooks on the cover into the recessed slots on the computer chassis.
 - b. Pivot the cover down toward the bottom of the chassis and into position. With both hands, press against the bottom edge of the cover to make sure that the securing hooks at the bottom of the cover click into place.
 - c. Slide the two halves of the padlock ring together to lock the cover release mechanism.

Figure 6. Replacing the Mini Tower Computer Cover



- 1 Hook
- 2 Recessed slot

Troubleshooting a Wet Computer

Liquids can damage your computer. While you are not likely to submerge your computer, spills, splashes, and excessive humidity can also cause damage. If an external device (such as a printer or an external drive) gets wet, contact the manufacturer for instructions. If your computer gets wet, perform the following steps:

1. Turn off the system, including any attached peripherals, and disconnect all the AC power cables from their electrical outlets. Also, disconnect any telephone or telecommunication lines from the computer.

⚠ CAUTION: Before you remove the computer cover, see "[Safety First—For You and Your Computer.](#)"

2. [Remove the computer cover.](#)
3. Let the computer dry for at least 24 hours. Make sure that it is thoroughly dry before you proceed.
4. [Remove all expansion cards](#) installed in the computer except a drive controller card and video expansion card.
5. Replace the computer cover, reconnect the system to an electrical outlet, and turn it on.

If the system has power, proceed to step 6. If the system does not have power, see "[Getting Help](#)" for instructions on obtaining technical assistance.

6. Turn off the system, disconnect it from the electrical outlet, remove the computer cover, and reinstall all expansion cards that you removed in step 4.
7. Replace the computer cover, and reconnect the system to an electrical outlet. Also, reconnect any telephone or telecommunication lines to the computer.
8. Start the [Dell Diagnostics](#) by inserting the *Dell ResourceCD* and rebooting the system.
9. Run the **System Board Devices** test group.

If the tests complete successfully, your system is operating properly. If any of the tests fail, see "[Getting Help](#)" for instructions on obtaining technical assistance.

Troubleshooting a Damaged Computer

If your computer was dropped or damaged, you should check your computer to see if it functions properly. If an external device attached to your computer is dropped or damaged, contact the manufacturer of the device for instructions or see "[Getting Help](#)" for information on obtaining technical assistance from Dell. To troubleshoot a damaged computer, perform the following steps:

1. Turn off the system, including any attached peripherals, and disconnect all the AC power cables from their electrical outlets. Also, disconnect any telephone or telecommunication lines from the computer.


 **CAUTION:** Before you remove the computer cover, see "[Safety First—For You and Your Computer](#)."

2. [Remove the computer cover](#).
3. Check all the expansion-card connections in the computer.
4. Verify the diskette/tape drive, hard-disk drive, and all other internal connections.

Make sure that all cables are properly connected and that all components are properly seated in their connectors and sockets.

5. [Replace the computer cover](#), reconnect the system to an electrical outlet, and reconnect any telephone or telecommunication lines.
 6. Start the [Dell Diagnostics](#) by inserting the *Dell ResourceCD* and rebooting the system.
 7. Run the **System Board Devices** test group.
 8. If the tests complete successfully, your system is operating properly. If any of the tests fail, see "[Getting Help](#)" for instructions on obtaining technical assistance.
-

Troubleshooting the Battery

 **CAUTION:** There is a danger of a new battery exploding if it is incorrectly installed. Replace the battery only with the same or equivalent type recommended by the manufacturer. Discard used batteries according to the manufacturer's instructions.

If an error message indicates a problem with the battery or if [System Setup](#) loses the system configuration information when the computer is turned off, the battery may be defective.

To troubleshoot the battery, perform the following steps:

1. Turn off the system, including any attached peripherals, and disconnect all the AC power cables from their electrical outlets. Also, disconnect any telephone or telecommunication lines from the computer.

 **CAUTION:** Before you remove the computer cover, see "[Safety First—For You and Your Computer](#)."

2. [Remove the computer cover](#).
3. Reseat the battery in its socket.

The battery is a coin cell that snaps into a socket on the system board.

4. If the problem is not resolved, replace the battery.

If the problem is still not resolved, you may have a faulty system board. See "[Getting Help](#)" for instructions on obtaining technical assistance.

Troubleshooting Expansion Cards

If an error message indicates an expansion-card problem or if an expansion card seems to perform incorrectly or not at all, the problem could be a faulty connection, a conflict with software or other hardware, or a faulty expansion card. To troubleshoot expansion cards, perform the following steps:

1. Turn off the system, including any attached peripherals, and disconnect all the AC power cables from their electrical outlets. Also, disconnect any telephone or telecommunication lines from the computer.

 **CAUTION:** Before you remove the computer cover, see "[Safety First—For You and Your Computer.](#)"

2. [Remove the computer cover.](#)
3. Verify that each expansion card is firmly seated in its connector. If any expansion cards are loose, reseal them.
4. Verify that any cables are firmly connected to their corresponding connectors on the expansion cards. If any cables appear loose, reconnect them.

For instructions on which cables should be attached to specific connectors on an expansion card, see the expansion card's documentation.

5. [Remove all expansion cards](#) except the video card.
6. [Replace the computer cover](#), reconnect the system to an electrical outlet, and turn it on.
7. Start the [Dell Diagnostics](#) by inserting the *Dell ResourceCD* and rebooting the system.
8. Run the **RAM** test group.

If the tests complete successfully, proceed to step 8. If any of the tests fail, see "[Getting Help](#)" for information on obtaining technical assistance.

9. Turn off the system, disconnect it from the electrical outlet, and remove the computer cover.
10. Reinstall one of the expansion cards that you removed previously, and repeat steps 6 and 7.

If any of the tests fail, the expansion card you just reinstalled is faulty and needs to be replaced. If the tests complete successfully, repeat steps 8 and 9 with another expansion card.

11. If you have replaced all the expansion cards removed previously and the expansion card problem is not resolved, see "[Getting Help](#)" for information on obtaining technical assistance.

Troubleshooting System Memory

A computer memory problem can be a faulty dual in-line memory module (DIMM) or a faulty system board. If a random-access memory (RAM) error message appears, the computer probably has a memory problem.

When you turn on or reboot the system, the Caps Lock and Scroll Lock indicators on the keyboard should flash momentarily and then turn off. If the **Num Lock** option in [System Setup](#) is set to **On**, the Num Lock indicator should flash momentarily and then remain on; otherwise, it should turn off. Abnormal operation of these indicators can result from a defective DIMM in socket A. To troubleshoot system memory, perform the following steps:

1. Turn on the system, including any attached peripherals.

 **CAUTION:** Before you remove the computer cover, see "[Safety First—For You and Your Computer.](#)"

2. If an error message indicates invalid system configuration information, [enter System Setup](#) and check the **System Memory** option. If the amount of memory displayed does not match the amount of memory installed, turn off the computer, disconnect it from the electrical outlet, [remove the computer cover](#), and reseal the DIMMs in their sockets.
3. [Replace the computer cover](#), reconnect the system to an electrical outlet, and turn it on.
4. If the problem is not resolved, start the [Dell Diagnostics](#) by inserting the *Dell ResourceCD* and rebooting the system.
5. Run the **RAM** test group.
6. If the Dell Diagnostics identifies a faulty DIMM, [replace that DIMM](#). If the Dell Diagnostics determines that the system board is faulty, or if the Dell Diagnostics does not identify the cause of the problem and the problem is still not resolved, see "[Getting Help](#)" for instructions on obtaining technical assistance.

Troubleshooting the Video Subsystem

Troubleshooting video problems involves determining which of the following is the source of the problem: the monitor, the monitor interface cable, or the integrated video subsystem.

Before attempting to troubleshoot the video subsystem, perform the procedure found in "[Troubleshooting the Monitor](#)" to determine whether or not the monitor is the source of the problem.

If the monitor is not at fault, perform the following steps:

1. Check the monitor cable connections as indicated in "[Checking Connections and Switches](#)."
2. If the problem is not resolved, start the [Dell Diagnostics](#) by inserting the *Dell ResourceCD* and rebooting the system.
3. Run the **Video** test group.

If any of the tests fail, see "[Getting Help](#)" for instructions on obtaining technical assistance.

Troubleshooting the System Board

A system board problem can result from a defective system board component, a faulty power supply, or a defective component connected to the system board. If an error message indicates a system board problem, perform the following steps:

1. Start the [Dell Diagnostics](#) by inserting the *Dell ResourceCD* and rebooting the system.
2. Run the **System Board Devices** test group.

If any of the tests fail, see "[Getting Help](#)" for instructions on obtaining technical assistance.

3. Turn off the system, including any attached peripherals, and disconnect all the AC power cables from their electrical outlets. Also, disconnect any telephone or telecommunication lines from the computer.

 **CAUTION:** Before you remove the computer cover, see "[Safety First—For You and Your Computer](#)."

4. [Remove the computer cover](#).
 5. Verify that the power cables from the power supply are firmly connected to the connectors on the system board.
 6. [Replace the computer cover](#), reconnect the system to an electrical outlet, and turn it on. If the problem is not resolved, proceed to step 7.
 7. Perform the procedure in "[Troubleshooting Expansion Cards](#)." If the problem is not resolved, proceed to step 8.
 8. Perform the procedure in "[Troubleshooting the Keyboard](#)."
 9. If the problem is still not resolved, see "[Getting Help](#)" for instructions on obtaining technical assistance.
-

Troubleshooting Drives

If the monitor displays a system error message to indicate a drive problem during execution of either the boot routine or the [Dell Diagnostics](#), or if a drive is not operating correctly, perform the following steps:

1. Enter [System Setup](#), and verify that the problem drive is configured correctly. Make any necessary changes, and reboot the system.
2. If the problem is not resolved, turn off the system, including any attached peripherals, and disconnect all the AC power cables from their electrical outlets. Also, disconnect any telephone or telecommunication lines from the computer.

 **CAUTION:** Before you remove the computer cover, see "[Safety First—For You and Your Computer](#)."

3. [Remove the computer cover](#).
 4. Verify that the DC power cables from the power supply are firmly connected to the connectors on each drive. Also verify that the interface cable for each drive is firmly connected to the drive and to the system board.
 5. [Replace the computer cover](#), reconnect the system to an electrical outlet, and turn it on. If the problem is not resolved, proceed to step 6.
 6. Start the [Dell Diagnostics](#) by inserting the *Dell ResourceCD* and rebooting the system.
 7. Run the appropriate test group for the drives.
 8. If the Dell Diagnostics identifies a faulty drive, replace the drive. If the Dell Diagnostics identifies a faulty controller, the system board may be faulty. See "[Getting Help](#)" for instructions on obtaining technical assistance.
-

[Back to Contents Page](#)

[Back to Contents Page](#)

Introduction: Dell™ OptiPlex™ GX100 System User's Guide

[Overview](#)

[Hardware Features](#)

[Software Features](#)

[Manageability Features](#)

[ENERGY STAR® Compliance](#)

Overview

Dell OptiPlex GX100 Managed PC systems are designed around the Intel® Celeron™ microprocessors and offer dependability and customization for networked environments. Each computer system uses a high-performance Peripheral Component Interconnect (PCI) design that allows you to configure the computer system to your initial requirements and then add Dell-supported upgrades as necessary.

Hardware Features

Your system offers the following features:

- 1 Socketed Celeron microprocessor.
- 1 [System memory](#) of up to 512 megabytes (MB) on synchronous dynamic random-access memory (SDRAM) dual in-line memory modules (DIMMs) in the two DIMM sockets on the system board.
- 1 Integrated Intel Direct AGP Graphics Accelerator with Dynamic Video Memory (DVM) technology architecture.
- 1 Self-Monitoring and Analysis Reporting Technology II (SMART II) support, which warns you at system start-up if your hard-disk drive has become unreliable.

Hard-disk drives shipped with OptiPlex GX100 systems are SMART II-compliant.

- 1 Ultra Advanced Technology Attachment (ATA)/66 support, which allows storage devices to transfer data at speeds up to 66 MB per second (MB/sec).
- 1 Full compliance with PCI specification 2.2.
- 1 Full compliance with Advanced Configuration and Power Interface (ACPI) specification 1.0A.
- 1 [Remote Wake Up](#) capability for both integrated network interface controllers (NICs) and add-in NIC cards. When the **Remote Wake Up** option is enabled in embedded [System Setup](#), the system can be turned on from a server management console.

Remote Wake Up capability also allows remote computer setup, software downloading and installation, file updates, and asset tracking after business hours and on weekends when network traffic is at a minimum.

- 1 Managed boot agent (MBA), which allows the system to boot from one of four network preboot environment protocols: Preboot eXecution Environment (PXE), Remote Program Load (RPL), BootP, or Novell® NetWare® Remote Boot.
- 1 Remote system alerts, which allow the system to transmit special predetermined network messages regarding its operating condition.
- 1 Universal Serial Bus (USB) capability, which can simplify connecting peripheral devices such as mice, printers, and computer speakers. The system basic input/output system (BIOS) provides support for USB keyboards and mice in MS-DOS® and other non-Windows® environments. To use this capability, enable the USB support in the BIOS setup.
- 1 Dell OptiFrame™ chassis for easy disassembly and improved serviceability.

For additional hardware features, see "[Technical Specifications](#)."

Software Features

The following software is included with your Dell computer system:

- 1 A BIOS, which resides in flash memory and can be upgraded by diskette, or remotely over a network, if required.
- 1 Bus-mastering enhanced integrated drive electronics (EIDE) drivers to improve performance by off-loading certain functions from the microprocessor during multithreaded operation (when several applications are running simultaneously).
- 1 Embedded [System Setup](#) for quickly viewing and changing the system configuration. System Setup also provides several [enhanced security](#)

[features](#) (a setup password, a system password, a system-password lock option, a write-protect option for diskette drives, and display of the system's service tag number).

- 1 [Dell Diagnostics](#) for evaluating the computer's components and devices.
 - 1 Video drivers designed to support the integrated Intel Direct AGP Graphics Accelerator.
 - 1 Network device drivers for several operating systems.
 - 1 Desktop Management Interface (DMI) support, which enables the remote management of your computer system's software and hardware.
 - 1 Support for [Dell OpenManage™ IT Assistant](#).
-

Manageability Features

Your Dell OptiPlex GX100 Managed PC system is designed for out-of-the-box manageability. To make managing your system as easy as possible, the system is shipped with the DMI agent enabled and active, which allows a remote administrator to access and change system settings. However, without the proper precautions, a system with an active DMI agent is vulnerable to unauthorized changes. For this reason, Dell strongly recommends that you enable and use the [Setup Password](#) to prevent unauthorized changes to system settings.

The following subsections describe the hardware and software manageability features available for your system:

- 1 [Dell OpenManage IT Assistant](#)
- 1 [Managed boot agent \(MBA\)](#)
- 1 [Remote Wake Up](#)
- 1 [Remote System Alert](#)
- 1 [Auto Power On](#)
- 1 [Chassis intrusion alerts](#)
- 1 [Common Information Model \(CIM\) support](#)
- 1 [Configuration change alerts](#)
- 1 [Asset Info with support for the cost of ownership \(COO\) Management Information Format \(MIF\) standard](#)
- 1 [Remote flash BIOS](#)
- 1 [Remote system configuration](#)
- 1 [Prefailure alerts](#)

Dell OpenManage IT Assistant

The Dell OpenManage IT Assistant program (which is available as a download from the Dell Web site at <http://www.dell.com> or as a Dell-installed option on your hard-disk drive) is the Dell software-management application interface for DMI. It allows you to manage system-level information, such as system configuration information and MIF database values.

Fault management features of the Dell OpenManage IT Assistant include the following:

- 1 Alerts to warn you about events generated by SMART drives on a local or remote system
- 1 An event log that stores events in a text file and reports the following information about events: **System Name, Component Name, Date and Time, Event Type, Event Severity, Event Class, and Event System**

Configuration management features of the Dell OpenManage IT Assistant program include the following:

- 1 Remote Wake Up support, which allows network administrators to remotely turn on Managed PC systems with Remote Wake Up capability in a Dell DMI network
- 1 A **System Properties** window that enables network administrators to view, set, or disable certain hardware configuration settings for the local and remote systems in a Dell DMI network
- 1 Support for the Microsoft® System Management Server (SMS), which allows the exporting of one or more groups to an SMS directory that the SMS administrator can access
- 1 A monitor component for systems running Windows 98 or Windows 95 and having a display data channel (DDC)-compliant video subsystem and monitor

- 1 Automated inventory control of one or more groups for the remote systems in a Dell DMI network

Network administrators can automate inventory to occur every day, week, or month at a certain hour, on the hour; or you can enable inventory as needed. The Dell OpenManage IT Assistant program creates a text file for the group(s) and saves it to a user-defined directory.

- 1 Support for the application program used to create user-definable attributes (UDAs)

Asset management features of the Dell OpenManage IT Assistant include the following:

- 1 Support that enables network administrators to remotely view, enter, and modify an asset tag for a remote system in a Dell DMI network
- 1 Automated and manual mapping of one or more groups to a user-defined directory

Security management features of the Dell OpenManage IT Assistant include password security that enables network administrators to maintain standard attribute values for the local and remote systems in a Dell DMI network.

For more information about the Dell OpenManage IT Assistant, see the online Dell OpenManage IT Assistant documentation that accompanied the software.

MBA


The 3Com® MBA supports multiple preboot environments and allows network administrators to boot the system from a network server.

See "[Network Interface Controller](#)" for more information about MBA.

Remote Wake Up

Remote Wake Up allows you to remotely turn on a Managed PC system that is either in a sleep state or soft-off state. The ability to turn on Managed PC systems remotely allows you to perform remote computer setup, software downloading and installation, file updates, and asset tracking at any time.

To use the Remote Wake Up feature, each Managed PC system must contain a NIC that supports Remote Wake Up. You must also enable the **Remote Wake Up** option in [System Setup](#).

 **NOTE:** This feature does not work if the system is shut off using a power strip or surge protector.

Remote Wake Up by a System User

With the advent of ACPI technology, Microsoft implemented a new wake-up method called pattern byte matching (PBM). When PBM is enabled, there is the potential for a local area network (LAN) user to wake up another system that is in standby mode. The following information explains wake-up technology and its functionality on your Dell system under various operating systems (OS).

Remote Wake Up, also known as Wakeup On LAN, allows a network administrator to start a system remotely using a LAN signal from a server management console. This capability provides for remote computer access after hours and on weekends when LAN traffic is typically at a minimum.

Magic Packet Technology

Wakeup On LAN originally used a technology known as Magic Packet, which sends a data packet directly to a system. This packet consists of data that has 16 repetitions of the system's media access control (MAC) layer address. The MAC address is unique to the network adapter in the system so the Magic Packet wakes only the system targeted for start-up. When the network adapter receives and decodes this packet, it sends a power management event (PME) signal to the system that brings it back to full power and boots the system.

Pattern Byte Matching Technology

PBM provides the wake-up packet for systems that support ACPI. The system downloads a series of patterns to the network adapter, and the network adapter monitors for the arrival of these patterns in a packet. If it finds these patterns, the network adapter generates a PME signal to wake up the system.

PBM and Magic Packet Technology Differences

PBM wake-up technology is much different from Magic Packet wake-up technology. A Magic Packet is not a regular network data packet. Magic Packet technology starts a system when a network administrator sends the data packet from a management station.

Wake from Address Resolution Protocol (ARP) and Wake from NetBIOS name lookup patterns are available in the PBM method currently provided in Windows 98 Second Edition (SE). ARP or NetBIOS lookup packets are standard features of network activity and can wake up suspended systems without action from an administrator. For example, several systems may share hard-disk drives in a standard work group scenario. If a system is in standby mode when someone on the network searches for that system using **Network Neighborhood** or clicks the system icon, it can generate an ARP or a NetBIOS name lookup packet that wakes up the target system.

Current Wake-Up Patterns

Current wake-up patterns allowed by the Network Device Class Power Management Specification are the following:

- 1 Wake from ARP
- 1 Wake from NetBIOS name lookup
- 1 Directed wake packet

The specification also defines Magic Packet as a wake-up method. Wake-up technology that uses PBM is controlled by the Microsoft Windows OS because the OS programs the patterns. Therefore, PBM only works in systems that use the Windows OS with ACPI enabled. For more information on PBM, please refer to the Network Device Class Power Management Specification.

Changing Remote Wake Up Options

To change **Remote Wake Up** options, enter System Setup by pressing <F2> during the start-up boot sequence. Tables 1 and 2 define remote wake-up functions for each Windows operating system and system power state combination.

Table 1. Network Driver Interface Specification (NDIS) 4.0 Driver

System Setup—Remote Wake Up On	Windows 95 OS	Windows NT® 4.0 OS
Wake from Off—Magic Packet	Yes	Yes
Wake from Off—PBM	No	No
Wake from Suspend	No	No

NOTES: When **Remote Wake Up** is set to **Off**, all wake-up events are disabled.

Wake from NetBIOS name lookup is not available in the Windows 95 or Windows NT 4.0 operating systems.

Table 2. NDIS 5.0 Driver with ACPI Enabled

System Setup—Remote Wake Up Off	Windows 98 OS	Windows 98 SE OS	Windows 2000 OS
Wake from standby (S1)—Magic Packet	No	Yes	Yes
Wake from standby (S1)—PBM	No	Yes	Yes
Wake from shutdown (S5)—Magic Packet	No	No	No
Wake from shutdown (S5)—PBM	No	No	No
System Setup—Remote Wake Up On	Windows 98 OS	Windows 98 SE OS	Windows 2000 OS
Wake from standby (S1)—Magic Packet	No	Yes	Yes
Wake from standby (S1)—PBM	No	Yes	Yes
Wake from shutdown (S5)—Magic Packet	Yes	Yes	Yes
Wake from shutdown (S5)—PBM	No	No	No

Remote System Alert

Remote System Alert allows the system to send to a remote management console certain predetermined messages about its operating condition prior to system start-up (system boot). For example, the system can transmit an alert if the computer cover is removed.

To use the Remote System Alert feature, each Managed PC system must contain an integrated NIC that supports Remote System Alert.

 NOTE: This feature does not work if the system is shut off using a power strip or surge protector.

Auto Power On

Auto Power On enables you to turn on the computer system automatically on certain days of the week at a preset time. You can set **Auto Power On** to turn on the system either every day or every Monday through Friday.

 NOTE: This feature does not work if the system is shut off using a power strip or surge protector.

Chassis Intrusion Alerts

Chassis intrusion alerts notify you if a local or remote system's chassis has been opened.

CIM Support

CIM allows you to access system management information if your system is running Microsoft® Windows 98 or any other Windows operating system that includes the Web-Based Enterprise Management (WBEM) core components. For information about the WBEM core components and how to install them, see the Microsoft World Wide Web site at <http://www.microsoft.com>.

For more information about CIM support, see the *Dell OpenManage Client Instrumentation Version 5.0 User's Guide* installed in the **Dell Documents** folder on your hard-disk drive.

Configuration Change Alerts

Configuration change alerts generate warning messages if a local or remote system has a change in hardware configuration.

Asset Info With Support for the COO MIF Standard

Asset Info uses the nonproprietary DMI standard to allow you to record and track costs related to your system. The cost-related information is stored in the cost of ownership Management Information Format (**coo.mif**) file on your system's hard-disk drive. For more information about Asset Info and the COO MIF standard, see the online "*Dell OpenManage Client Instrumentation Version 5.0 User's Guide*."

Remote Flash BIOS

Remote flash BIOS allows a network administrator to perform remote BIOS upgrades to systems on a network.

Remote System Configuration


Remote system configuration features allow remote changes to the system asset tag, boot sequence, property ownership tag, and System Setup settings and remote updates to the system BIOS.

Prefailure Alerts

Prefailure alerts generate warning messages about potential failures by the system DIMMs and SMART II hard-disk drives.

ENERGY STAR® Compliance

Certain configurations of Dell computer systems comply with the requirements set forth by the Environmental Protection Agency (EPA) for energy-efficient computers. If the front panel of your computer bears the ENERGY STAR® Emblem (see Figure 1), your original configuration complies with these requirements and all ENERGY STAR® power management features of the computer are enabled.

 **NOTES:** As an ENERGY STAR® Partner, Dell Computer Corporation has determined that this product meets the ENERGY STAR® guidelines for energy efficiency.

*Any Dell computer bearing the ENERGY STAR® Emblem is certified to comply with EPA ENERGY STAR® requirements **as configured when shipped by Dell**. Any changes you make to this configuration (such as installing additional expansion cards or drives) may increase the system's power consumption beyond the limits set by the EPA's ENERGY STAR® Computers program.*

Figure 1. ENERGY STAR® Emblem



The EPA's ENERGY STAR® Computers program is a joint effort between the EPA and computer manufacturers to reduce air pollution by promoting energy-efficient computer products. The EPA estimates that use of ENERGY STAR® computer products can save computer users up to two billion dollars annually in electricity costs. In turn, this reduction in electricity usage can reduce emissions of carbon dioxide, the gas primarily responsible for the greenhouse effect, and sulfur dioxide and nitrogen oxides, which are the two primary causes of acid rain.

Computer users can also help to reduce electricity usage and its side effects by turning off their computer systems when they are not in use for extended periods of time—particularly at night and on weekends.

[Back to Contents Page](#)

System Memory: Dell™ OptiPlex™ GX100 System User's Guide

[Overview](#)

[Removing DIMMs](#)

[Installing DIMMs](#)

Overview

You can increase system memory up to 512 megabytes (MB) by using synchronous dynamic random-access memory (SDRAM) dual in-line memory modules (DIMMs). [Figure 7](#) in "Inside Your Computer" shows the location of the DIMM sockets on the system board (DIMMs must be non-error checking and correction [ECC]).

When you add system memory, you may install DIMMs in either socket. For optimum operation, Dell recommends that you install a DIMM in socket A first (closest to the processor) before installing a DIMM in socket B.

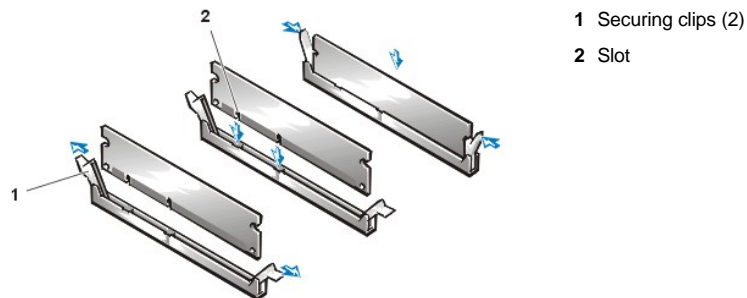
Installing DIMMs

To upgrade memory, perform the following steps.

⚠ CAUTION: To avoid the possibility of electric shock, turn off the computer and any peripherals, disconnect them from their electrical outlets, and then wait at least 5 seconds before you remove the computer cover. Also, before you upgrade memory, see the other precautions in "[Safety First—For You and Your Computer](#)."

1. Remove the computer cover according to the instructions in "[Removing and Replacing the Computer Cover](#)."
2. If necessary, remove any DIMMs that occupy sockets in which you plan to install the upgrade DIMMs.
3. Install the upgrade DIMMs.
 - a. Locate the plastic securing clips at each end of the socket (see [Figure 1](#)).
 - b. Press the clips outward until they snap open.
 - c. Press the DIMM straight into the slot running down the center of the socket until the securing tabs snap into place around the ends of the DIMM.

Figure 1. Installing a DIMM



4. Replace the computer cover, and reconnect your computer and peripherals to their electrical outlets and turn them on.

🔧 NOTE: After you remove and replace the cover, the chassis intrusion detector causes the following message to appear on the screen at the next system start-up:

```
ALERT! Cover was previously removed.
```


The system detects that the new memory does not match the existing system configuration information and generates the following message:

```
The amount of system memory has changed.  
Strike the F1 key to continue, F2 to run the setup utility
```

5. Press <F2> to enter [System Setup](#), and check the value for [System Memory](#).

The system should have already changed the value of **System Memory** to reflect the newly installed memory. Verify the new total. If it is correct, skip to [step 7](#).

6. If the memory total is incorrect, turn off and disconnect your computer and peripherals from their electrical outlets. Remove the computer cover, rotate the power supply, and check the installed DIMMs to make sure that they are seated properly in their sockets. Then repeat [steps 3, 4, and 5](#).
7. Reset the chassis intrusion detector by changing [Chassis Intrusion](#) to **Enabled** or **Enabled-Silent**.

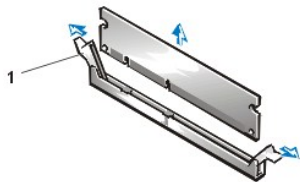
 **NOTE:** If a setup password has been assigned by someone else, contact your network administrator for information on resetting the chassis intrusion detector.

8. When the **System Memory** total is correct, press <Esc> to exit System Setup.
9. Run the [Dell Diagnostics](#) to verify that the DIMMs are operating properly.

Removing DIMMs

To remove a DIMM, press the securing clips outward simultaneously until the DIMM disengages and pops out slightly from the socket (see Figure 2).

Figure 2. Removing a DIMM



1 Securing clips (2)

[Back to Contents Page](#)

Messages and Codes: Dell™ OptiPlex™ GX100 System User's Guide

[Overview](#)

[System Messages](#)

[System Beep Codes](#)

[Warning Messages](#)

[Diagnostics Messages](#)

[Diagnostic LEDs](#)

Overview

Your application programs, operating system, and the computer itself are capable of identifying problems and alerting you to them. When a problem occurs, a message may appear on your monitor screen or a beep code may sound. See "[System Messages](#)" or "[System Beep Codes](#)" for information about each message or beep code.

System Messages

If you receive a system message, see [Table 1](#) for suggestions on resolving any problems indicated by the message. The system messages are listed alphabetically.


 **NOTE:** If the system message you received is not listed in the table, check the documentation for the application program that you were running at the time the message appeared and/or the operating system documentation for an explanation of the message and a recommended action.

Table 1. System Messages

Message	Cause	Action
Address mark not found	The basic input/output system (BIOS) found a faulty disk sector or could not find a particular disk sector.	See " Troubleshooting Drives. "
Alert! Previous attempts at booting this system have failed at checkpoint [nnnn]. For help in resolving this problem, please note this checkpoint and contact Dell Technical Support.	The system has failed to complete the boot routine three consecutive times for the same error.	See " Getting Help " for instructions on obtaining technical assistance, and report the checkpoint code (nnnn) to the support technician.
Attachment failed to respond	The diskette drive or hard-disk drive controller cannot send data to the associated drive.	See " Troubleshooting Drives. "
Bad command or file name	The command you entered does not exist or is not in the pathname you specified.	Make sure you have spelled the command correctly, placed spaces in the proper location, and used the correct pathname.
Bad error-correction code(ECC) on disk read	The diskette drive or hard-disk drive controller detected an uncorrectable read error.	See " Troubleshooting Drives. "
Controller has failed	The hard-disk drive or the associated controller is defective.	See " Troubleshooting Drives. "
Data error	The diskette or hard-disk drive cannot read the data.	Run the ScanDisk utility in the Microsoft® Windows® operating system to check the file structure of the diskette or hard-disk drive. See your operating system documentation for more information. If you are using another operating system, run the appropriate utility to check the file structure of the diskette or hard-disk drive. See your operating system documentation.
Decreasing available memory	One or more dual in-line memory modules (DIMMs) may be faulty or improperly seated.	See " Troubleshooting System Memory. "
Diskette drive 0 seek failure	A cable may be loose, or the system configuration information	See " Troubleshooting Drives. "

Diskette drive 1 seek failure	may not match the hardware configuration.	
Diskette read failure	A cable may be loose, or the diskette may be faulty.	See " Troubleshooting Drives. "
Diskette subsystem reset failed	The diskette drive controller may be faulty.	Run the Diskette tests in the Dell Diagnostics .
Drive not ready	No diskette is in the drive. The operation requires a diskette in the drive before it can continue.	Put a diskette in the drive or close the drive latch.
Diskette write protected	The diskette write-protect feature is activated.	Remove the diskette from drive A and move the write-protect tab to the unlocked position.
Gate A20 failure	One or more DIMMs may be loose.	See " Troubleshooting System Memory. "
General failure	The operating system is unable to carry out the command.	This message is usually followed by specific information—for example, PRINTER OUT OF PAPER . Respond by taking the appropriate action.
Hard disk configuration error	The hard-disk drive failed initialization.	See " Troubleshooting Drives. "
Hard disk controller failure	The hard-disk drive failed initialization.	See " Troubleshooting Drives. "
Hard disk failure		
Hard-disk drive read failure		
Invalid configuration information - please run SETUP program	The system configuration information does not match the hardware configuration.	Enter System Setup and correct the system configuration information.
Keyboard clock line failure	A cable or connector may be loose, or the keyboard or keyboard/mouse controller may be faulty.	See " Troubleshooting the Keyboard. "
Keyboard controller failure		
Keyboard data line failure		
Keyboard failure		
Keyboard stuck key failure		
Memory address line failure at <i>address</i> , read value expecting value	One or more DIMMs may be faulty or improperly seated.	See " Troubleshooting System Memory. "
Memory allocation error	The software you are attempting to run is conflicting with the operating system or another application program or utility.	Turn off the computer, wait 30 seconds, and then turn it on. Try to run the program again. If the problem persists, contact the software company.
Memory data line failure at <i>address</i> , read value expecting value	One or more DIMMs may be faulty or improperly seated.	See " Troubleshooting System Memory. "
Memory double word logic failure at <i>address</i> , read value expecting value		
Memory odd/even logic failure at <i>address</i> , read value expecting value		
Memory write/read failure at <i>address</i> , read value expecting value		
Memory size in CMOS invalid	The amount of memory recorded in the system configuration information does not match the memory installed in the computer.	Reboot the computer. If the error appears again, see " Getting Help " for instructions on obtaining technical assistance.
Memory tests terminated by keystroke	The memory test did not complete.	Rerun the memory test.
No boot device available	The computer cannot find the diskette or hard-disk drive.	Enter System Setup , check the system configuration information for the diskette and hard-disk drive, and if necessary, correct the information.
No boot sector on hard-disk drive	The system configuration information in System Setup may be incorrect, or the operating system may be corrupted.	Enter System Setup , check the system configuration information for the hard-disk drive, and if necessary, correct the information.

		If the message persists, reinstall your operating system. See the documentation that came with your operating system.
No timer tick interrupt	A chip on the system board might be malfunctioning.	Run the System Board Devices tests in the Dell Diagnostics .
Non-system disk or disk error	The diskette in drive A or your hard-disk drive does not have a bootable operating system installed on it.	A nonbootable diskette is in drive A. Either replace the diskette with one that has a bootable operating system, or remove the diskette from drive A and restart the computer.
Not a boot diskette	There is no operating system on the diskette.	Boot the computer with a diskette that contains an operating system.
Plug and Play Configuration Error	The system has encountered a problem in trying to configure one or more expansion cards.	Turn your system off and unplug it. Remove all but one of the cards. Plug in your system and reboot it. If the message persists, the expansion card may be malfunctioning. If the message does not appear, turn off the power and reinsert one of the other cards. Repeat this process until you identify the malfunctioning card.
Read fault Requested sector not found	The operating system cannot read from the diskette or hard-disk drive. The system could not find a particular sector on the disk, or the requested sector is defective.	See " Troubleshooting Drives ."
Reset failed	The disk reset operation failed.	See " Troubleshooting Drives ."
Sector not found	The operating system is unable to locate a sector on the diskette or hard-disk drive.	See " Troubleshooting Drives ."
Seek error	The operating system is unable to find a specific track on the diskette or hard-disk drive.	If the error is on the diskette drive, try another diskette in the drive.
Shutdown failure	A chip on the system board might be malfunctioning.	Run the System Board Devices tests in the Dell Diagnostics .
Time-of-day clock stopped	The battery may be dead.	Enter System Setup and correct the date or time. If the problem persists, see " Troubleshooting the Battery ."
Time-of-day not set	The time or date displayed in the system configuration information does not match the system clock.	Enter System Setup and correct the date or time.
Timer chip counter 2 failed	A chip on the system board might be malfunctioning.	Run the System Board Devices tests in the Dell Diagnostics .
Unexpected interrupt in protected mode	The keyboard controller may be malfunctioning, or one or more DIMMs may be loose.	Run the System Memory and the Keyboard tests in the Dell Diagnostics .
WARNING: Dell's Disk Monitoring System has detected that drive [0/1] on the [primary/secondary] EIDE controller is operating outside of normal specifications. It is advisable to immediately back up your data and replace your hard-disk drive by calling your support desk or Dell Computer Corporation.	Power-on self-test (POST) has queried the enhanced integrated drive electronics (EIDE) drive for status information. The drive has returned a parameter from the call that indicates it has detected possible error conditions for its operating specifications.	Once your computer finishes booting, immediately back up your data and replace your hard-disk drive. Restore the data to the replaced drive. If a replacement drive is not immediately available and the drive is not the only bootable drive, enter System Setup and change the appropriate drive setting to None. Remove the drive from the system. This should be done only after you have backed up the data.
Write fault Write fault on selected drive	The operating system cannot write to the diskette or hard-disk drive.	See " Troubleshooting Drives ."

System Beep Codes

When errors occur during a boot routine that cannot be reported on the monitor, your computer may emit a series of beeps that identify the problem. The beep code is a pattern of sounds: for example, one beep, followed by a second beep, and then a burst of three beeps (code 1-1-3) means that the computer was unable to read the data in nonvolatile random-access memory (NVRAM). This information is invaluable to the Dell support staff if you need to call for technical assistance.

When a beep code is emitted, write it down on a copy of the Diagnostics Checklist found in "[Getting Help](#)," and then look it up in Table 2. If you are unable to resolve the problem by looking up the meaning of the beep code, use the [Dell Diagnostics](#) to identify a more serious cause. If you are still unable to resolve the problem, see "[Getting Help](#)" for instructions on obtaining technical assistance.


Table 2. System Beep Codes

Code	Cause	Action
1-1-2	Microprocessor register failure	See " Getting Help " for instructions on obtaining technical assistance.
1-1-3	NVRAM	Run the System Board Devices tests in the Dell Diagnostics .
1-1-4	ROM BIOS checksum failure	Run the System Board Devices tests in the Dell Diagnostics , if possible.
1-2-1	Programmable interval timer	Run the System Board Devices tests in the Dell Diagnostics , if possible.
1-2-2	Direct memory access (DMA) initialization failure	Run the System Board Devices tests in the Dell Diagnostics , if possible.
1-2-3	DMA page register read/write failure	Run the System Board Devices tests in the Dell Diagnostics , if possible.
1-3	Video Memory Test failure	Run the VESA/VGA Interface tests in the Dell Diagnostics .
1-3-1 through 2-4-4	DIMMs not being properly identified or used	See " Troubleshooting System Memory ."
3-1-1	Slave DMA register failure	Run the System Board Devices tests in the Dell Diagnostics , if possible.
3-1-2	Master DMA register failure	Run the System Board Devices tests in the Dell Diagnostics , if possible.
3-1-3	Master interrupt mask register failure	See " Getting Help " for instructions on obtaining technical assistance.
3-1-4	Slave interrupt mask register failure	See " Getting Help " for instructions on obtaining technical assistance.
3-2-2	Interrupt vector loading failure	See " Getting Help " for instructions on obtaining technical assistance.
3-2-4	Keyboard Controller Test failure	Run the Keyboard tests in the Dell Diagnostics . Otherwise, see " Getting Help " for instructions on obtaining technical assistance.
3-3-1	NVRAM power loss	Run the System Board Devices tests in the Dell Diagnostics , if possible.
3-3-2	NVRAM configuration	Run the System Board Devices tests in the Dell Diagnostics , if possible.
3-3-4	Video Memory Test failure	Run the VESA/VGA Interface tests in the Dell Diagnostics .
3-4-1	Screen initialization failure	Run the VESA/VGA Interface tests in the Dell Diagnostics .
3-4-2	Screen retrace failure	Run the VESA/VGA Interface tests in the Dell Diagnostics .
3-4-3	Search for video ROM failure	Run the VESA/VGA Interface tests in the Dell Diagnostics .
4-2-1	No time tick	See " Getting Help " for instructions on obtaining technical assistance.
4-2-2	Shutdown failure	See " Getting Help " for instructions on obtaining technical assistance.
4-2-3	Gate A20 failure	See " Getting Help " for instructions on obtaining technical assistance.
4-2-4	Unexpected interrupt in protected mode	See " Getting Help " for instructions on obtaining technical assistance.
4-3-1	Memory failure above address 0FFFFh	Run the System Memory tests in the Dell Diagnostics .
4-3-3	Timer-chip counter 2 failure	See " Getting Help " for instructions on obtaining technical assistance.
4-3-4	Time-of-day clock stopped	See " Getting Help " for instructions on obtaining technical assistance.
4-4-1	Serial or parallel port test failure	Run the Serial Ports and the Parallel Ports tests in the Dell Diagnostics .
4-4-2	Failure to decompress code to shadowed memory.	Run the System Board Devices tests in the Dell Diagnostics .
4-4-3	Math-coprocessor test failure	Run the System Board Devices tests in the Dell Diagnostics .
4-4-4	Cache test failure	Run the System Board Devices tests in the Dell Diagnostics .

Warning Messages

A warning message alerts you to a possible problem and asks you to do something before execution continues. For example, before you format a diskette, a message may warn you that you may lose all data on the diskette as a way to protect against inadvertently erasing or writing over the

data. These warning messages usually interrupt the procedure and require you to respond by typing a *y* (yes) or *n* (no).

 **NOTE:** Warning messages are generated by either your application programs or your operating system. See "[Software Checks](#)" and the documentation that accompanied your operating system and application programs.

Diagnostics Messages

When you run a test group or subtest in the [Dell Diagnostics](#), an error message may result. These particular error messages are not covered in this section. Record the message on a copy of your Diagnostics Checklist found in "[Getting Help](#)." Also see "[Getting Help](#)" for instructions on obtaining technical assistance.

Diagnostic LEDs

The power indicator light-emitting diode (LED) and the hard-disk drive LED on the front of the computer emit diagnostic codes that can help you troubleshoot a system problem. Table 3 lists the codes for the diagnostic LEDs, probable causes, and suggested corrective actions.

 **CAUTION:** Before servicing any components inside your computer, see "[Safety First—For You and Your Computer](#)."

Table 3. Diagnostic LED Codes

Power LED Code	Cause	Action
Blinking yellow	System power supply failure.	See " Getting Help " for instructions on obtaining technical assistance.
Solid yellow	A device on the system board may be faulty or is incorrectly installed.	Be sure that each microprocessor is properly seated, remove all expansion cards , and then reboot. If the system does not boot, see " Getting Help " for instructions on obtaining technical assistance.
Solid green <i>and a beep code</i> during POST	A problem was detected while the BIOS was executing.	See Table 2 for instructions on diagnosing the beep code.
Solid green power indicator <i>and no beep code and no video</i> during POST	The monitor or the graphics card may be faulty.	See " Troubleshooting the Monitor ." If the monitor is operating properly and is correctly connected, see " Getting Help " for instructions on obtaining technical assistance.
Solid green power indicator <i>and no beep code but the system locks up during POST</i>	An integrated system board device may be faulty.	See " Getting Help " for instructions on obtaining technical assistance.

[Back to Contents Page](#)

Microprocessor: Dell™ OptiPlex™ GX100 System User's Guide


[Upgrading the Microprocessor](#)

Upgrading the Microprocessor

 **NOTE:** Dell recommends that only a technically knowledgeable person perform this procedure.

 **CAUTION:** Before you remove the computer cover, see "[Safety First—For You and Your Computer.](#)"

To replace the microprocessor, perform the following procedure.

 **CAUTION:** To avoid the possibility of electric shock, turn off the computer and any peripherals, disconnect them from their electrical outlets, and then wait at least 15 seconds before you remove the computer cover. Also, before you upgrade the microprocessor, see the other precautions in "[Safety First—For You and Your Computer.](#)"

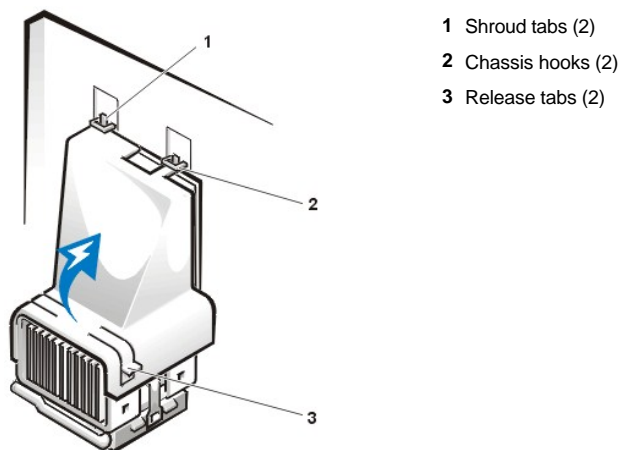
1. Remove the computer cover according to the instructions in "[Removing and Replacing the Computer Cover.](#)"
2. If you are working in the small-form-factor chassis or low-profile chassis, it may be helpful to remove the power supply.


If you are working in the mini tower chassis, it may be helpful to lay the computer on its side, and then rotate the power supply out of the way. For instructions, see "[Rotating the Power Supply Away From the System Board \(Mini Tower Chassis Only\).](#)"

3. If you are working in the mini tower chassis, remove the airflow shroud.

Pull up on the release tabs (see [Figure 1](#)) while you lift and rotate the bottom of the shroud up and away from the microprocessor/heat sink assembly. Remove the shroud tabs from the chassis hooks, and lift the shroud out of the chassis.

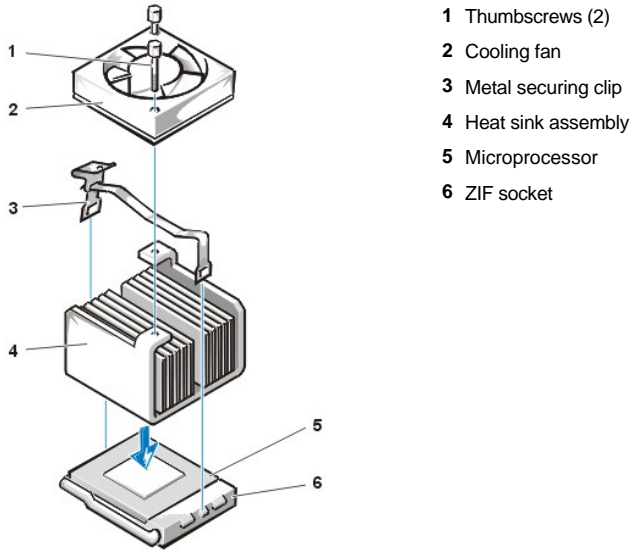
Figure 1. Airflow Shroud, Heat Sink Assembly, and Microprocessor



 **CAUTION:** The microprocessor and heat sink assembly can get extremely hot. Be sure the assembly has had sufficient time to cool before you touch it.

4. If you are working in the small-form-factor chassis or low-profile chassis, disconnect the cooling fan power cable from the system board connector. Then remove the two thumbscrews securing the cooling fan to the heat sink. Lift the cooling fan from the microprocessor/heat sink assembly.

Figure 2. Cooling Fan, Heat Sink Assembly, and Microprocessor



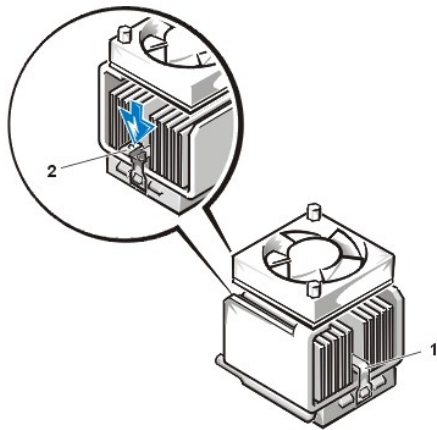
- 1 Thumbscrews (2)
- 2 Cooling fan
- 3 Metal securing clip
- 4 Heat sink assembly
- 5 Microprocessor
- 6 ZIF socket

5. Release the metal securing clip that holds the heat sink assembly to the microprocessor zero insertion force (ZIF) connector.

Press down on the folded part of the clip with a small screwdriver to release the clip (see [Figure 3](#)). The securing clip hooks over tabs on the sides of the socket.

6. Remove the heat sink assembly from the microprocessor.

Figure 3. Microprocessor Heat Sink



- 1 Metal securing clip
- 2 Press here to release securing clip

NOTICE: Be careful not to bend any of the pins when you remove the microprocessor from its socket. Bending the pins can permanently damage the microprocessor.

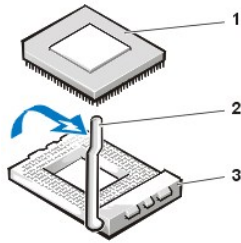
7. Remove the microprocessor from the ZIF socket.

The microprocessor socket is a ZIF socket with a lever-type handle that secures the microprocessor in, or releases it from, the socket.

NOTICE: Ground yourself by touching an unpainted metal surface on the back of the computer.

To remove the microprocessor, pull the ZIF socket release lever straight out until the microprocessor is released (see [Figure 4](#)). Then remove the microprocessor by lifting it straight up from the socket. Leave the release lever extended so that the socket is ready for installation of the new microprocessor.

Figure 4. Removing the Microprocessor



- 1 Microprocessor
- 2 Socket release lever
- 3 ZIF socket

NOTICE: Ground yourself by touching an unpainted metal surface on the back of the computer.

8. Unpack the new microprocessor.

If any of the pins on the chip appear to be bent, see "[Getting Help](#)" for instructions on obtaining technical assistance.

9. Align pin-1 (the beveled corner) of the microprocessor with the pin-1 corner of the microprocessor ZIF socket (see [Figure 5](#)).


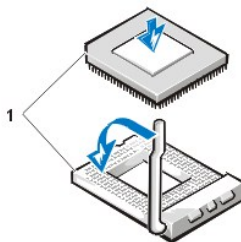
 **NOTE:** You must identify the pin-1 corner to correctly position the microprocessor.

Figure 5. Installing the Microprocessor Chip



- 1 Pin-1 corners of chip and socket aligned

NOTICE: When you place the microprocessor in the ZIF socket, be sure that all of the pins go into the corresponding holes on all sides of the socket. Be careful not to bend any of the pins when you install the microprocessor in the ZIF socket. Bending the pins can permanently damage the microprocessor.

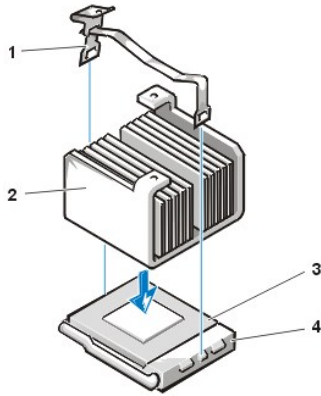
NOTICE: You must position the microprocessor correctly in the socket to avoid permanent damage to the microprocessor and the computer when you turn on the system.

10. Install the microprocessor in the ZIF socket (see [Figure 5](#)):
 - a. If the release lever on the microprocessor socket is not all the way out, move it to that position now.
 - b. With the pin-1 corners of the microprocessor and socket aligned, align the pins on the microprocessor with the holes in the socket.
 - c. Lightly set the microprocessor in the socket and make sure all pins are headed into the correct holes. Because your system uses a ZIF microprocessor socket, there is no need to use force (which could bend the pins if the microprocessor is misaligned). When the microprocessor is positioned correctly, press it with minimal pressure to seat it.
 - d. When the microprocessor is fully seated in the socket, pivot the socket release lever back toward the socket until it snaps into place, which secures the microprocessor.

NOTICE: Ground yourself by touching an unpainted metal surface on the back of the computer.

11. Unpack the heat sink included in your upgrade kit and install it:
 - a. Peel the release liner from the adhesive tape that is attached to the bottom of the heat sink.
 - b. Place the heat sink assembly on top of the microprocessor.
 - c. Orient the securing clip as shown in [Figure 6](#), and hook the unhinged end of the clip over the tab on the top edge of the socket.
 - d. Press down on the hinged end of the clip to snap the clip over the tab on the bottom edge of the socket.


Figure 6. Installing the Heat Sink



- 1 Securing clip
- 2 Heat sink
- 3 Microprocessor
- 4 ZIF socket


12. If you are working in a small-form-factor or low-profile chassis system, replace the cooling fan on top of the heat sink assembly, and secure the fan with the two thumbscrews.
13. Reconnect the cooling fan power cable to its system board connector.
14. If you are working in the mini-tower chassis system, replace the airflow shroud:
 - a. Place the airflow shroud over the processor.
 - b. Fit the mouth of the shroud into the alignment slot on the left side of the fan and between the fan and the power supply bracket on the right.
 - c. Lift up on the pair of tabs on the sides of the shroud and lower it onto the processor/heat sink assembly until it clicks into place. The shroud should engage the top of the processor socket.
15. Replace or rotate the power supply back into position, making sure that the securing tab snaps into position.
16. Replace the computer cover, and then reconnect your computer and peripherals to their electrical outlets and turn them on.

As the system boots, it detects the presence of the new microprocessor and automatically changes the system configuration information in System Setup.

 **NOTE:** After you remove and replace the cover, the chassis intrusion detector causes the following message to be displayed at the next system start-up:


ALERT! Cover was previously removed.

17. Enter System Setup and confirm that the system data area correctly identifies the type of installed microprocessor.

 **NOTE:** For instructions on using System Setup, see "[System Setup](#)."

18. While in System Setup, reset the chassis intrusion detector by changing **Chassis Intrusion** to **Enabled**, **Enabled-Silent**, or **Disabled**.

See "[Chassis Intrusion](#)" for instructions.

 **NOTE:** If a setup password has been assigned by someone else, contact your network administrator for information on resetting the chassis intrusion detector.

19. Run the [Dell Diagnostics](#) to verify that the new microprocessor is operating correctly.

Setup and Operation: Dell™ OptiPlex™ GX100 System User's Guide

- [Getting Started](#)
- [Connecting Peripheral Devices](#)
- [Controls and Indicators](#)
- [Chassis Intrusion](#)
- [Security Cable Slot and Padlock Ring](#)
- [Using the System Password Feature](#)
- [Using the Setup Password Feature](#)
- [Disabling a Forgotten Password](#)

Getting Started

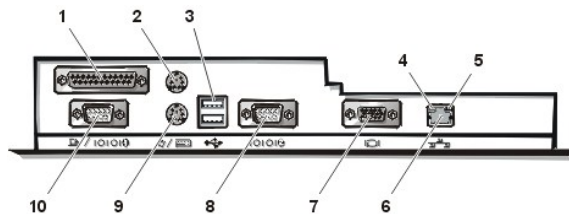
If you need to set up your computer system yourself (rather than having it set up by a network administrator), see "Getting Started" in the *System Information Guide* that accompanied your system for instructions on connecting cables and turning on your system for the first time.

After you correctly connect all the cables to your system and turn it on, see the setup guide for your operating system to complete its installation. When the operating system is installed, you can connect peripheral devices, such as a printer, or install application programs not already installed by Dell.

Connecting Peripheral Devices

Figure 1 shows the connectors on the back of your computer for attaching external devices.

Figure 1. I/O Ports, Connectors, and Indicators



- 1 [Parallel port connector](#)
- 2 [Mouse connector](#)
- 3 [USB connectors](#)
- 4 Link integrity indicator (see "[Integrated NIC Connector](#)")
- 5 Activity indicator (see "[Integrated NIC Connector](#)")
- 6 [Integrated NIC connector](#)
- 7 [Video connector](#)
- 8 [Serial port 2 connector](#)
- 9 [Keyboard connector](#)
- 10 [Serial port 1 connector](#)

When you connect external devices to your computer's back panel, follow these guidelines:

- 1 Check the documentation that accompanied the device for specific installation and configuration instructions.

For example, you must connect most devices to a particular input/output (I/O) port or connector to operate properly. Also, external devices like a mouse or printer usually require you to load device drivers into system memory before they will work.

- 1 Always attach external devices *while your computer is turned off*. Then turn on the computer *before* turning on any external devices, unless the documentation for the device specifies otherwise. (If the computer does not seem to recognize the device, try turning on the device before turning on the computer.)


NOTICE: When you disconnect external devices from the back of the computer, wait 5 seconds after turning off the computer before you disconnect any devices to avoid possible damage to the system board.

Parallel Port Connector

The integrated parallel port uses a 25-pin D-subminiature connector on the computer's back panel.

This I/O port sends data in parallel format (where eight data bits, or one byte, are sent simultaneously over eight separate lines in a single cable). The parallel port is used primarily for printers.

The default designation of your computer's integrated parallel port is LPT1. Port designations are used, for example, in software installation procedures to identify the port to which your printer is attached, thus telling your software where to send its output. (An incorrect designation prevents the printer from printing or causes scrambled print.)

 **NOTE:** The integrated parallel port is automatically disabled if the system detects an installed expansion card containing a parallel port configured to the same address as specified in [Parallel Port](#) in [System Setup](#).

Mouse Connector

Your system uses a Personal System/2 (PS/2)-compatible mouse. The mouse cable attaches to a 6-pin miniature Deutsche Industrie Norm (DIN) connector on the back panel of your computer. Turn off the computer and any attached peripherals before connecting a mouse to the computer.

A PS/2-compatible mouse works as does an industry-standard serial mouse or bus mouse except that it has its own dedicated connector, which frees up the serial ports and does not require an expansion card.

Mouse driver software gives the mouse priority with the microprocessor by issuing interrupt request (IRQ) 12 whenever you move the mouse. The drivers also pass along the mouse data to the application that is in control. If you have the Microsoft® Windows® 98, Windows 95, or Windows NT® 4.0 operating system, Dell already installed the necessary mouse drivers on your hard-disk drive. If you need to reinstall the mouse drivers, see the documentation that accompanied your *Dell ResourceCD* for instructions.

USB Connectors

Your system contains two Universal Serial Bus (USB) connectors for attaching USB-compliant devices. USB-compliant devices are typically peripherals such as keyboards, mice, printers, and computer speakers.

If you reconfigure your hardware, you may need pin number and signal information for the USB connectors.

Integrated NIC Connector

Your system has an integrated 10/100-megabit-per-second (Mbps) 3Com® Peripheral Component Interconnect (PCI) 3C905C-TX Ethernet network interface controller (NIC). The NIC provides all the functions of a separate network expansion card and supports both the 10BASE-T and 100BASE-TX Ethernet standards.

The NIC includes a Remote Wake Up feature that enables the computer to be started by a special local area network (LAN) signal from a server management console. Remote Wake Up provides remote computer setup, software downloading and installation, file updates, and asset tracking after hours and on weekends when LAN traffic is typically at a minimum.

The NIC connector on the computer's back panel has the following indicators (see [Figure 1](#)):

- 1 A yellow *activity indicator* flashes when the system is transmitting or receiving network data. (A high volume of network traffic may make this indicator appear to be in a steady "on" state.)
- 1 A dual-colored *link integrity indicator*, which lights up green when there is a good connection between a 10-Mbps network and the NIC, or it lights up orange when there is a good connection between a 100-Mbps network and the NIC. When the green indicator is off, the computer is not detecting a physical connection to the network.

Video Connector

The system uses a 15-pin high-density D-subminiature connector on the back panel for attaching a video graphics array (VGA)-compatible monitor to your system.

Serial Port Connectors

The serial ports use 9-pin D-subminiature connectors on the back panel. These ports support devices such as external modems or plotters that require serial transmission (sending one bit of data at a time over one line).

The default designations for these integrated serial ports are COM1 for serial port 1 and COM2 for serial port 2. Port designations are used in software installation procedures to identify the port used by a device—for example, to specify the port used by a modem when you install communications software.

The system contains a reconfiguration feature to reassign the serial port's designation if you add an expansion card containing a serial port using this designation.

If you set the system's integrated serial ports to **Auto** in [System Setup](#) and add an expansion card containing a serial port configured to a specific designation, the computer automatically maps (assigns) the integrated ports to the appropriate COM setting as necessary.

Before you add a card with a serial port, check the documentation that accompanied your software to make sure that the software can be mapped to the new COM port designation.

Keyboard Connector

Your system uses a PS/2-style keyboard. The keyboard cable attaches to a 6-pin miniature DIN connector on the back panel of your computer.

Network Cable Requirements

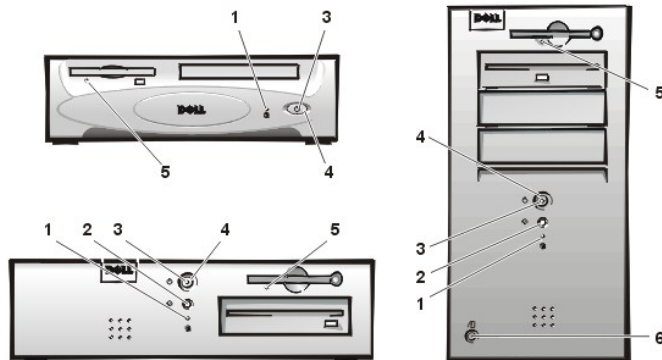
Your computer's NIC connector (an RJ45 connector located on the back panel) is designed for attaching an unshielded twisted pair (UTP) Ethernet cable. Press one end of the UTP cable into the NIC connector until the cable snaps securely into place.

Connect the other end of the cable to an RJ45 jack wall plate or to an RJ45 port on a UTP concentrator or hub, depending on your network configuration.

Controls and Indicators

Figure 2 shows the controls and indicators on the front panel of your computer.

Figure 2. Controls and Indicators



- 1 [Hard-disk drive access indicator](#)
- 2 [Reset button](#)
- 3 [Power indicator](#)
- 4 [Power button](#)
- 5 [Diskette-drive access indicator](#)
- 6 [Cover release button](#)

Hard-Disk Drive Access Indicator

The hard-disk drive access indicator lights up when a hard-disk drive is reading data from or writing data to the drive.

Reset Button

The reset button allows you to reboot (restart) your system without having to turn the power off and then on again. Rebooting the system in this manner reduces stress on system components. However, be sure that you have saved and closed all open files and application programs (if possible) to avoid losing any data. Then perform an orderly shutdown of the operating system (see your operating system documentation for instructions).

Power Indicator

The power indicator on the front of the computer has a light-emitting diode (LED) that illuminates in two different colors and blinks or remains solid to indicate several different states. See "[Diagnostic LEDs](#)" for a description of each of these states.

Power Button

The power button controls the system's AC input power.

For Microsoft Windows 95, the power button functions as follows:

- 1 When the computer is turned off, pushing the power button turns on the computer.
- 1 When the computer is turned on, pushing the power button turns off the computer.

For Microsoft Windows 98 and Windows NT, you can configure the power button's function through the basic input/output system (BIOS). If you configure the power button, it functions as follows:

- 1 When the computer is turned off, pushing the power button turns on the computer.

- 1 When the computer is turned on, pushing the power button and holding it for more than 6 seconds turns off the computer.
- 1 When the computer is turned on, pushing the power button and releasing it places the computer in a suspended state that you determine through the BIOS configuration.
- 1 When the computer is in the suspended state, pushing the power button and releasing it brings the computer out of the suspended state.

If the system does not turn off when you press the power button, the system may be hung. Press and hold the power button until the system turns off completely (this process may take several seconds). Alternatively, press the reset button to reset the system and reboot. If the system is hung and both buttons fail to function properly, unplug the AC power cable from the computer, wait for it to completely stop running, plug in the AC power cable, and if it the system does not restart, press the power button to restart the system.

Diskette-Drive Access Indicator

The diskette-drive access indicator lights up when the drive is reading data from or writing data to a diskette. Wait until the access indicator turns off before removing a diskette from the drive.

Cover Release Button

Press the cover release button to remove the computer cover for the small-form-factor chassis or the low-profile chassis.

On the back of the mini tower chassis, slide the upper half of the [padlock ring](#) to the left; then press the cover release button to remove the computer cover.

Chassis Intrusion


An integrated chassis intrusion alarm displays the status of the system chassis intrusion monitor. If the chassis has been opened, the setting changes to **Detected** and the following message appears during the boot sequence at system start-up:

```
Alert! Cover was previously removed.
```

Use [System Setup](#) to reset the alarm so that future intrusions are detected.

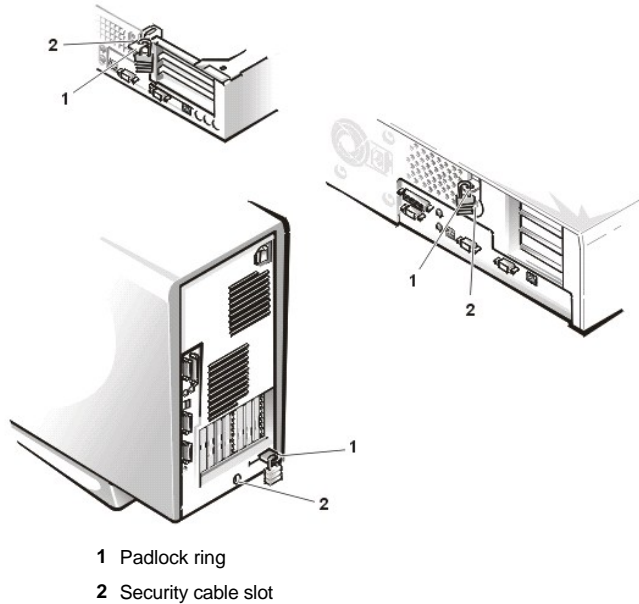
Security Cable Slot and Padlock Ring

On the back of the computer are a security cable slot and padlock ring (see [Figure 3](#)) for attaching commercially available antitheft devices. Security cables for personal computers usually include a segment of galvanized cable with an attached locking device and key. To prevent unauthorized removal of your computer, loop the cable around an immovable object, insert the locking device into the security cable slot on the back of your computer, and lock the device with the key provided. Complete instructions for installing this kind of antitheft device are usually included with the device.

 **NOTES:** Antitheft devices are of differing designs. Before purchasing such a device, make sure it works with the cable slot on your computer.

The small-form-factor chassis has a padlock ring that slides in and out of the back cover. To use the ring, pull it into the extended position.

Figure 3. Security Cable Slot and Padlock Ring



Using the System Password Feature

NOTICE: The password features provide a basic level of security for the data on your system. However, they are not foolproof. If your data requires more security, it is your responsibility to obtain and use additional forms of protection, such as data encryption programs.

Your Dell system is shipped to you without the system password feature enabled. If system security is a concern, operate your system only with system password protection.

You can assign a system password, as described in ["Assigning a System Password,"](#) whenever you use [System Setup](#). After a system password is assigned, only those who know the password have full use of the system.

When **System Password** is set to **Enabled**, the computer system prompts you for the system password just after the system boots. See ["Using Your System Password to Secure Your System"](#) for more information.

To change an existing system password, you must know the password (see ["Deleting or Changing an Existing System Password"](#)). If you assign and later forget a system password, you must remove the computer cover to change a jumper setting that disables the system password feature (see ["Disabling a Forgotten Password"](#)). Note that you erase the *setup password* at the same time.

NOTICE: If you leave your system running and unattended without having a system password assigned, or if you leave your computer unlocked so that someone can disable the password by changing a jumper setting, anyone can access the data stored on your hard-disk drive.

Assigning a System Password

Before you can assign a system password, you must enter System Setup and check the **System Password** option.

When a system password is assigned, the setting shown in **System Password** is **Enabled**. When the system password feature is disabled by a jumper setting on the system board, the setting shown is **Disabled**. *You cannot change or enter a new system password if either of these options is displayed.*

When no system password is assigned and the password jumper on the system board is in the enabled position (its default setting), the option shown for the **System Password** option is **Not Enabled**. *Only when **System Password** is set to **Not Enabled** can you assign a system password,* using the following procedure:

1. Verify that **Password Status** is set to **Unlocked**.

For instructions on changing the setting for **Password Status**, see ["Password Status."](#)

2. Highlight **System Password**, and then press the left- or right-arrow key.

The option heading changes to **Enter Password**, followed by an empty 32-character field in square brackets.


3. Type your new system password.

You can use up to 32 characters in your password.

As you press each character key (or the spacebar for a blank space), a placeholder appears in the field. The password assignment operation recognizes keys by their location on the keyboard, without distinguishing between lowercase and uppercase characters. For example, if you have an *M* in your password, the system recognizes either *M* or *m* as correct.

Certain key combinations are not valid. If you enter one of these combinations, the speaker emits a beep.

To erase a character when entering your password, press the <Backspace> key or the left-arrow key.

 **NOTE:** To escape from the field without assigning a system password, press the <Tab> key or the <Shift><Tab> key combination to move to another field, or press the <Esc> key at any time prior to completing step 5.

4. Press <Enter>.

If the new system password is less than 32 characters, the whole field fills with placeholders. Then the option heading changes to **Verify Password**, followed by another empty 32-character field in square brackets.

5. To confirm your password, type it a second time and press <Enter>.

The password setting changes to **Enabled**. Your system password is now set; you can exit System Setup and begin using your system. Note, however, that password protection does not take effect until you reboot the system by pressing the reset button or by turning the system off and then on again.

Using Your System Password to Secure Your System

Whenever you either turn on your system or press the reset button, or when you reboot the system by pressing the <Ctrl><Alt> key combination, the following prompt appears on the screen when **Password Status** is set to **Unlocked**:

```
Type in the password and
- press <ENTER> to leave password security enabled.
- press <CTRL><ENTER> to disable password security.
Enter password:
```

If **Password Status** is set to **Locked**, the following prompt appears:

```
Type the password and press <Enter>.
```

After you type the correct system password and press <Enter>, your system boots and you can use the keyboard and/or mouse to operate your system as usual.

 **NOTE:** If you have assigned a setup password (see "[Using the Setup Password Feature](#)"), the system accepts your setup password as an alternate system password.

If you enter a wrong or incomplete system password, the following message appears on the screen:

```
** Incorrect password. **
```

```
Enter password:
```

If you again enter an incorrect or incomplete system password, the same message appears on the screen.

The third and subsequent times you enter an incorrect or incomplete system password, the system displays the following message:

```
** Incorrect password. **
Number of unsuccessful password attempts: 3
System halted! Must power down.
```

The number of unsuccessful attempts made to enter the correct system password can alert you to an unauthorized person attempting to use your system.

Even after your system is turned off and on, the previous message is displayed each time an incorrect or incomplete system password is entered.

 **NOTE:** You can use [Password Status](#) in conjunction with **System Password** and **Setup Password** to further protect your system from unauthorized changes.

Deleting or Changing an Existing System Password

To delete or change an existing system password, perform the following steps:

1. Enter [System Setup](#) by pressing <F2>, and verify that [Password Status](#) is set to **Unlocked**.
2. Reboot your system to force it to prompt you for a system password.
3. When prompted, type the system password.

4. Press <Ctrl><Enter> to disable the existing system password, instead of pressing <Enter> to continue with the normal operation of your system.
5. Confirm that **Not Enabled** is displayed for the **System Password** option of System Setup.

If **Not Enabled** appears in the **System Password** option, the system password has been deleted. If you want to assign a new password, continue to step 6. If **Not Enabled** is not displayed for the **System Password** option, press <Alt> to reboot the system, and then repeat steps 3 through 5.

6. To assign a new password, follow the procedure in "[Assigning a System Password](#)."
-

Using the Setup Password Feature


Your Dell system is shipped to you without the setup password feature enabled. Since your system is also shipped with the DMI agent enabled and active (allowing system settings to be changed remotely), Dell strongly recommends that you enable and use the setup password feature to prevent unauthorized changes to system settings.

You can assign a setup password, as described in "[Assigning a Setup Password](#)," whenever you use System Setup. After you assign a setup password, only those who know the password have full use of System Setup. See "[Operating Your System With A Setup Password Enabled](#)" for more information.

To [change an existing setup password](#), you must know the setup password. If you assign and later forget a setup password, you need to remove the computer cover to change a jumper setting that disables the setup password feature (see "[Disabling a Forgotten Password](#)"). Note that you erase the system password at the same time.

Assigning a Setup Password

You can assign a setup password only if **Setup Password** is set to **Not Enabled**. To assign a setup password, highlight **Setup Password** and press the left- or right-arrow key. The system prompts you to enter and verify the password. If a character is illegal for password use, the system emits a beep.

 **NOTES:** *The setup password can be the same as the system password.*

If the two passwords are different, the setup password can be used as an alternate system password. However, the system password cannot be used in place of the setup password.

After you verify the password, the **Setup Password** setting changes to **Enabled**. The next time you enter [System Setup](#), the system prompts you for the setup password.

A change to **Setup Password** becomes effective immediately (rebooting the system is not required).

Operating Your System With a Setup Password Enabled

If **Setup Password** is set to **Enabled**, you must enter the correct setup password before you can modify the majority of the System Setup options.

When you start System Setup, the System Setup screen appears with **Setup Password** highlighted, prompting you to type the password.

If you do not enter the correct password, the system lets you view, but not modify, the System Setup screen.

 **NOTE:** *You can use [Password Status](#) in conjunction with **Setup Password** to protect the system password from unauthorized changes.*

Deleting or Changing an Existing Setup Password

To delete or change an existing setup password, perform the following steps:

1. Enter [System Setup](#).
2. Highlight **Setup Password** and press the left- or right-arrow key to delete the existing setup password.

The setting changes to **Not Enabled**.

3. If you want to assign a new setup password, perform the steps in "[Assigning a Setup Password](#)."
-

Disabling a Forgotten Password

If you forget your system or setup password, you cannot operate your system or change settings in System Setup until you remove the computer cover, change the password jumper setting to disable the passwords, and erase the existing passwords.


To disable a forgotten password, perform the following steps.

 **CAUTION:** Before you remove the computer cover, see "[Safety First—For You and Your Computer.](#)"

1. Remove the computer cover according to the instructions in "[Removing and Replacing the Computer Cover.](#)"
2. Remove the jumper plug from the PSWD jumper to disable the password feature.

Refer to "[System Board Jumpers](#)" for jumper information and to [Figure 8](#) in "Inside Your Computer" for the location of the password jumper (labeled "PSWD") on the system board.

3. Replace the computer cover.
4. Reconnect your computer and peripherals to an electrical outlet, and then turn them on.
Booting your system with the PSWD jumper plug removed erases the existing password(s).
5. Enter [System Setup](#), and verify that the password is disabled. Proceed to step 6 if you want to assign a new password.

 **NOTE:** Before you assign a new system and/or setup password, you must replace the PSWD jumper plug.

 **CAUTION:** Before you remove the computer cover, see "[Safety First—For You and Your Computer.](#)"

6. Remove the computer cover according to the instructions in "[Removing and Replacing the Computer Cover.](#)"
7. Replace the PSWD jumper plug.
8. Replace the computer cover, and then reconnect the computer and peripherals to an electrical outlet and turn them on.

Booting your system with the PSWD jumper installed reenables the password feature. When you enter System Setup, both password options appear as **Not Enabled**, meaning that the password feature is enabled but that no password has been assigned.

9. Assign a new system and/or setup password.

To assign a new system password, see "[Assigning a System Password.](#)" To assign a new setup password, see "[Assigning a Setup Password.](#)"

[Back to Contents Page](#)

System Setup Options: Dell™ OptiPlex™ GX100 System User's Guide

- [AC Power Recovery](#)
 - [Asset Tag](#)
 - [Auto Power On](#)
 - [Boot Sequence](#)
 - [CPU ID](#)
 - [CPU Speed](#)
 - [Diskette Drive A and Diskette Drive B](#)
 - [Integrated Devices](#)
 - [Keyboard NumLock](#)
 - [PCI IRQ Assignment](#)
 - [Primary Drive *n* and Secondary Drive *n*](#)
 - [Remote Wake Up](#)
 - [Report Keyboard Errors](#)
 - [System Data](#)
 - [System Date](#)
 - [System Memory](#)
 - [System Security](#)
 - [System Time](#)
 - [ZIP Floppy Support](#)
-

AC Power Recovery

AC Power Recovery determines what happens when AC power is restored to the system.

When **Off** is selected, the system remains off when AC power is restored. When **On** is selected, the system starts up when AC power is restored.


When **Last** is selected, the system returns to the AC power state existing at the time that AC power was lost. If the system is on when AC power is lost, the system starts up when AC power is restored. If the system is off when AC power is lost, the system remains off when AC power is restored.

Asset Tag

Asset Tag displays the customer-programmable asset tag number for the system if an asset tag number is assigned. You can use the Asset Tag utility, which is included with your software support utilities, to enter an asset tag number up to ten characters long into nonvolatile random-access memory (NVRAM).

Auto Power On

Auto Power On allows you to set the time and days of the week to turn on the computer system automatically. You can set **Auto Power On** to turn on the system either every day or every Monday through Friday.

 **NOTE:** This feature does not work if you turn off your system using a power strip or surge protector.

Time is kept in a 24-hour format (*hours:minutes*). To change the start-up time, press the right-arrow key to increase the number in the highlighted field or press the left-arrow key to decrease the number. If you prefer, you can type numbers in both fields.

The default for **Auto Power On** is **Disabled**.

Boot Sequence

Boot Sequence enables you to set the order of the devices from which the system attempts to boot.

The term *boot* refers to the system's start-up procedure. When turned on, the system "bootstraps" itself into an operational state by loading into memory a small program, which in turn loads the necessary operating system. **Boot Sequence** tells the system where to look for the files that it needs to load.

To set the boot device order, press <Enter> to access the field's pop-up options menu. Press the up- and down-arrow keys to move through the list of devices. Press the spacebar to enable or disable a device (enabled devices appear with a check mark). Press plus (+) or minus (–) to move a selected device up or down the list. The following subsections describe typical boot devices.

Diskette Drive A:

Selecting **Diskette Drive A**: as the first device causes the system to try booting from drive A first. If the system finds a diskette that is not bootable in the drive or finds a problem with the drive itself, it displays an error message. If it does not find a diskette in the drive, the system tries to boot from the next device in the boot sequence list.

Hard-Disk Drive

Selecting **Hard-Disk Drive** causes the system to attempt to boot first from the hard-disk drive and then from the next device in the boot sequence list.

IDE CD-ROM Device

Selecting **IDE CD-ROM Device** causes the system to try booting from the CD-ROM drive first. If the system finds a CD that is not bootable in the drive or finds a problem with the drive itself, it displays an error message. If it does not find a CD in the drive, the system tries to boot from the next device in the boot sequence list.

MBA UNDI

Selecting **MBA UNDI** allows the system to boot from the network server. The **MBA UNDI** option appears under **Boot Sequence** only if the [Network Interface Controller](#) option is set to **On w/ MBA**. If the **Network Interface Controller** option is set to **On** or **Off**, set it to **On w/ MBA** and then press <Alt> to save the change and reboot the system. **MBA UNDI** then appears under **Boot Sequence**.

When you select this option, the system prompts you to press <Ctrl><Alt> at the Dell logo screen during system boot. A menu then appears that allows you to select **PXE**, **RPL**, **BootP**, or **NetWare** as the active boot mode. If a boot routine is not available from the network server, the system boots from the next device in the boot sequence list.

CPU ID

CPU ID provides the manufacturer's identification code for the installed microprocessor.

CPU Speed

CPU Speed indicates the processor speed at which your system boots.

Press the left- or right-arrow key to toggle the **CPU Speed** option between the resident microprocessor's rated speed (the default) and a lower compatibility speed, which lets you accommodate speed-sensitive application programs. A change to this option takes effect immediately (rebooting the system is not required).


To toggle between the rated processor speed and the compatibility speed while the system is running in real mode, press <Ctrl><Alt><|>. (For keyboards that do not use American English, press <Ctrl><Alt><#>.)

Diskette Drive A and Diskette Drive B

Diskette Drive A and **Diskette Drive B** identify the type of diskette drives installed in your computer. With the standard cabling configuration, **Diskette Drive A** (the boot diskette drive) is the 3.5-inch diskette drive installed in the top externally accessible drive bay; **Diskette Drive B** is a second diskette drive installed in any of the lower externally accessible drive bays.

The **Diskette Drive A** and **Diskette Drive B** options have the following possible settings:

- 1 **5.25 Inch, 360 KB**
- 1 **5.25 Inch, 1.2 MB**
- 1 **3.5 Inch, 720 KB**
- 1 **3.5 Inch, 1.44 MB**
- 1 **Not Installed**

 **NOTE:** Tape drives are not reflected in the **Diskette Drive A** and **Diskette Drive B** options. For example, if you have a single diskette drive and a tape drive attached to the diskette/tape drive interface cable, set **Diskette Drive A** to match the characteristics of the diskette drive and set **Diskette Drive B** to **Not Installed**.

Integrated Devices

Integrated Devices configures the following devices integrated with the system board:

- 1 [Network Interface Controller](#)

- 1 [Mouse Port](#)
- 1 [Serial Port 1 and Serial Port 2](#)
- 1 [Parallel Port](#)
- 1 [IDE Drive Interface](#)
- 1 [Diskette Interface](#)
- 1 [USB Emulation](#)
- 1 [PC Speaker](#)
- 1 [Primary Video Controller](#)
- 1 [Video DAC Snoop](#)

Press <Enter> to configure these options as explained in the following subsections.

Network Interface Controller

Network Interface Controller determines whether the integrated NIC is **On**, **Off**, or **On w/ MBA**. The default is **On**. If you select **On w/ MBA**, you are prompted to press <Ctrl><Alt> at the Dell logo screen during system boot. A menu then appears that allows you to select **PXE**, **RPL**, **BootP**, or **NetWare** as the active boot mode.

Mouse Port


Mouse Port enables or disables the system's integrated Personal System/2 (PS/2)-compatible mouse port. Disabling the mouse allows an expansion card to use interrupt request (IRQ)12.

Serial Port 1 and Serial Port 2

Serial Port 1 and **Serial Port 2** configure the system's integrated serial ports. You can set these options to **Auto** (the default) to automatically configure a port, to a particular designation (**COM1** or **COM3** for **Serial Port 1**; **COM2** or **COM4** for **Serial Port 2**), or to **Off** to disable the port.

If you set a serial port to **Auto** and add an expansion card containing a port configured to the same designation, the system automatically remaps the integrated port to the next available port designation that shares the same IRQ setting as follows:

- 1 **COM1** (input/output [I/O] address 3F8h), which shares IRQ4 with **COM3**, is remapped to **COM3** (I/O address 3E8h).
- 1 **COM2** (I/O address 2F8h), which shares IRQ3 with **COM4**, is remapped to **COM4** (I/O address 2E8h).

 **NOTE:** When two COM ports share an IRQ setting, you can use either port as necessary, but you may not be able to use them both at the same time. If you are using the Microsoft® Windows® 95 or IBM® OS/2® operating system, you cannot use both serial ports at the same time. If the second port (**COM3** or **COM4**) is also in use, the integrated port is turned off.

Parallel Port

Parallel Port configures the system's integrated parallel port. Press <Enter> to configure the **Parallel Port** options explained in the following subsections.

Mode

You can set this option to **PS/2**, **EPP**, **ECP**, **AT**, or **Off** to disable the port.

Set this option according to the type of peripheral device connected to the parallel port. To determine the correct mode to use, see the documentation that came with the device.

I/O Address

This option determines the I/O address used by the parallel port and appears except when **Mode** is set to **Off**. You can set **I/O Address** to **378h** (the default), **278h**, or **3BCh**.

 **NOTE:** You cannot set the parallel port to **3BCh** if you are in extended parallel port (EPP) mode.

DMA Channel

This option determines the direct memory access (DMA) channel used by the parallel port and appears only when **Mode** is set to **ECP**. The available options are **DMA 1**, **DMA 3**, and **Off**.

IDE Drive Interface

IDE Drive Interface enables or disables the system's integrated enhanced integrated drive electronics (EIDE) hard-disk drive interface.

With **Auto** (the default) selected, the system turns off the integrated EIDE interface when necessary to accommodate a controller card installed in an expansion slot.

As part of the boot routine, the system first checks for a primary hard-disk drive controller card installed in an expansion slot. If no card is found, the system enables the integrated EIDE interface to use IRQ14 and IRQ15.

If a primary controller is detected on the expansion bus, the integrated EIDE interface is disabled.

Selecting **Off** disables the integrated EIDE interface.

Diskette Interface

Diskette Interface controls the operation of the system's integrated diskette drive controller.

With **Auto** (the default) selected, the system turns off the integrated diskette drive controller when necessary to accommodate a controller card installed in an expansion slot.

With **Read Only** selected, nothing can be written to any diskette drives and tape drives using the system's integrated diskette/tape drive controller. (The system can still read from the drives.) When **Read Only** is selected, **Auto** (whereby the system turns off the integrated diskette drive controller as necessary) is also in effect.

Selecting **Off** turns off the integrated diskette/tape drive controller; this setting is used primarily for troubleshooting purposes.

USB Emulation

USB Emulation determines whether the system basic input/output system (BIOS) controls Universal Serial Bus (USB) keyboards and mice. When **On** is selected, the system BIOS controls USB keyboards and mice until a USB driver is loaded by the operating system. When **Off** is selected (the default), the system BIOS does not control USB keyboards and mice, though they function during the boot routine. Set **USB Emulation** to **Off** if you are using a PS/2-compatible keyboard and mouse.

PC Speaker

PC Speaker determines whether the integrated speaker is **On** (the default) or **Off**. A change to this option takes effect immediately (rebooting the system is not required).

Primary Video Controller

Primary Video Controller determines which video controller to use when the system boots. When **Auto** is selected, the system uses a video expansion card, if one is installed, or the onboard video controller if a video expansion card is not installed. When **Onboard** is selected, the system uses the onboard video controller even if a video expansion card is installed.

Video DAC Snoop

Video DAC Snoop lets you correct video problems that may occur when you use certain video expansion cards. The default is **Off**. If you are using a video expansion card and problems such as incorrect colors or blank windows occur, set **Video DAC Snoop** to **On**.

Keyboard NumLock

Keyboard NumLock determines whether your system boots with the Num Lock mode activated on 101- or 102-key keyboards (it does not apply to 84-key keyboards).

When Num Lock mode is activated, the rightmost bank of keys on your keyboard provides the mathematical and numeric functions shown at the tops of the keys. When Num Lock mode is turned off, these keys provide cursor-control functions according to the label on the bottom of each key.

PCI IRQ Assignment

PCI IRQ Assignment specifies which IRQ lines are assigned to the Peripheral Component Interconnect (PCI) devices installed in the computer. Press <Enter> to configure these devices. Then select the device whose IRQ line you want to change, and press the plus (+) or minus (-) key to scroll through the available IRQ lines. Normally you do not need to change the IRQ lines assigned to PCI devices unless a particular device, device driver, or operating system requires a specific IRQ line already in use by a PCI device.

Primary Drive *n* and Secondary Drive *n*

Primary Drive *n* identifies drives attached to the primary EIDE interface connector (labeled "IDE1") on the system board; **Secondary Drive *n*** identifies drives connected to the secondary EIDE interface connector (labeled "IDE2"). Use the secondary EIDE interface connector for EIDE CD-ROM and EIDE tape drives.

 **NOTES:** For all devices obtained from Dell that use the integrated EIDE controller, set the appropriate **Drive** option to **Auto**.

You must have an EIDE device connected to the primary EIDE interface if you have an EIDE device connected to the secondary EIDE interface.

The following settings identify the type of EIDE devices installed in the computer:

- 1 **Auto** (use this setting for all EIDE devices from Dell)
- 1 **Off**
- 1 **User 1 or User 2**
- 1 A specific drive-type number

To choose a setting for each option, press <Enter> to access the field's pop-up settings menu. Then type characters from the keyboard or press the left- or right-arrow key to cycle through the settings.

A *drive-type number* specifies the parameters of a hard-disk drive, based on a table recorded in the system's basic input/output system (BIOS).

 **NOTE:** Operating systems that bypass the system BIOS may not obtain optimum hard-disk drive performance.

If You Have a Problem

If the system generates a drive error message the first time you boot your system after you install an EIDE drive, it may mean that your particular drive does not work with the automatic drive-type detect feature. If you suspect that your problem is related to drive type, try entering your drive-type information in one of the following ways:

- 1 If you know the drive-type number

Use the drive-type number you found in the documentation that came with the drive, or if the drive was installed by Dell when you purchased your system, access the Manufacturing Test Report from the **Dell Accessories** folder.


To set the drive-type number in System Setup, highlight the appropriate drive option (**Primary Drive 0** or **Primary Drive 1**) and type the correct drive-type number. If you prefer, you can press the right- or left-arrow key to increase or decrease, respectively, the drive-type number until the correct one is displayed.

- 1 If you do not know the drive-type number

The **Drive 0** and **Drive 1** options display the following parameters for each drive:

- o **Drive Type** is the drive-type number for the selected hard-disk drive.
- o **Capacity** (automatically calculated by the system) indicates the number of millions of bytes of storage provided by the drive.
- o **Cylinders** is the number of logical cylinders.
- o **Heads** indicates the number of logical heads in the drive.
- o **Sectors** is the number of logical sectors per track.

If none of the supported drive types match the parameters of your new drive, you can enter your own parameters. To do so, highlight the **Drive 0** option and type **u** to display **User 1**. You can then press the right- or left-arrow key to switch between the **User 1** and **User 2** settings (only two user-defined drive types are allowed). Then press the <Tab> key to highlight each of the parameter fields in succession, and enter the appropriate number for each field.

 **NOTE:** You can use the **User 1** and **User 2** drive types for both the **Primary** and **Secondary Drive 0** and **Drive 1** options. However, if you select the **User 1** or **User 2** drive type, you may not obtain optimum hard-disk drive performance. Also, you cannot use the **User 1** and **User 2** drive types for hard-disk drives with a storage capacity that is greater than 528 megabytes (MB).

Remote Wake Up

Remote Wake Up allows you to set the Remote Wake Up feature to **On** or **Off**. You must reboot your system before a change takes effect.

Report Keyboard Errors

Report Keyboard Errors enables or disables reporting of keyboard errors during the power-on self-test (POST), which is a series of tests that the system performs on the hardware each time you turn on the system or press the reset button.

This option is useful when applied to self-starting servers or host systems that have no permanently attached keyboard. In these situations,

selecting **Do Not Report** suppresses all error messages relating to the keyboard or to the keyboard controller during POST. This setting does not affect the operation of the keyboard itself if a keyboard is attached to the computer.

System Data

The following information about the system is displayed in the system data area of the System Setup screen:

- 1 The microprocessor type and BIOS level.
 - 1 The size of the integrated level 2 (L2) cache.
 - 1 The system's seven-character service tag number, which was programmed into NVRAM by Dell during the manufacturing process. Refer to this number during technical assistance or service calls. The service tag number is also accessed by certain Dell support software, including the diagnostics software.
-

System Date

System Date resets the date on the computer's internal calendar.

Your system automatically displays the day of the week corresponding to the settings in the **month**, **day-of-month**, and **year** fields.

To change the date, press the left- or right-arrow key to select a field, and then press plus (+) or minus (-) to increase or decrease the number. If you prefer, you can type numbers in the **month**, **day-of-month**, and **year** fields.

System Memory

System Memory indicates the entire amount of installed memory detected in your system. After you add memory, check this option to confirm that the new memory is installed correctly and is recognized by the system.

System Security

System Security configures the following password and chassis intrusion options:

- 1 [System Password](#)
- 1 [Password Status](#)
- 1 [Setup Password](#)
- 1 [Chassis Intrusion](#)
- 1 [CPU Serial Number](#)


Press <Enter> to configure these options as explained in the following subsections.

System Password

Setup Password lets you restrict access to System Setup in the same way that you restrict access to your system with the system password feature. Dell strongly recommends that you enable and use this feature to prevent unauthorized changes to System Setup settings.

The **System Password** option has the following settings:

- 1 **Not Enabled** (the default)
- 1 **Enabled**
- 1 **Disabled by Jumper**

 **NOTE:** See "[Using the System Password Feature](#)" for instructions on assigning a system password and using or changing an existing system password. See "[Disabling a Forgotten Password](#)" for instructions on disabling a forgotten system password.

Password Status

When **Setup Password** is set to **Enabled**, **Password Status** allows you to prevent the system password from being changed or disabled at system start-up.


To lock the system password, you must first assign a setup password in **Setup Password** and then change the **Password Status** option to **Locked**. When **Setup Password** has a password assigned and **Password Status** is set to **Locked**, the system password cannot be changed through the **System Password** option and cannot be disabled at system start-up by pressing <Ctrl><Enter>.

To unlock the system password, you must enter the setup password in **Setup Password** and then change the **Password Status** option to **Unlocked**. When the option is set to **Unlocked**, you can disable the system password at system start-up by pressing <Ctrl><Enter>. Then change the password through the **System Password** option.

Setup Password

Setup Password lets you restrict access to System Setup in the same way that you restrict access to your system with the system password feature. The settings are:

- 1 **Not Enabled** (the default)
- 1 **Enabled**
- 1 **Disabled by Jumper**

 **NOTE:** See "[Using the Setup Password Feature](#)" for instructions on assigning a setup password and using or changing an existing setup password. See "[Disabling a Forgotten Password](#)" for instructions on disabling a forgotten setup password.

Chassis Intrusion

Chassis Intrusion displays the status of the system chassis intrusion monitor and can be set to **Enabled**, **Enabled-Silent**, or **Disabled**. The default is **Enabled**.


If the computer cover is removed while the intrusion monitor is set to **Enabled**, a Desktop Management Interface (DMI) event is generated, the setting changes to **Detected**, and the following message appears during the boot routine at the next system start-up:

```
Alert! Cover was previously removed.
```

If the computer cover is removed while the intrusion monitor is set to **Enabled-Silent**, a DMI event is generated and the setting changes to **Detected**, but the alert message does not appear during the boot sequence at the next system start-up.

If the intrusion monitor is set to **Disabled**, no intrusion monitoring occurs and no messages appear.

To reset the **Detected** setting, enter System Setup during the system's POST. In the **Chassis Intrusion** option, press the left- or right-arrow key to select **Reset**, and then choose **Enabled**, **Enabled-Silent**, or **Disabled**.

 **NOTE:** When the setup password is enabled, you must know the setup password before you can reset the **Chassis Intrusion** option.

CPU Serial Number

CPU Serial Number determines whether the microprocessor serial number (if any) is provided to programs that request it. When **Enabled** is selected, the system provides the microprocessor serial number to programs that request it. When **Disabled** is selected, the system never provides the microprocessor serial number.

System Time

System Time resets the time on the computer's internal clock.

Time is kept in a 24-hour format (*hours:minutes:seconds*). To change the time, press the left- or right-arrow key to select a field, and then press plus (+) or minus (-) to increase or decrease the number. If you prefer, you can type numbers in each of the fields.

ZIP Floppy Support

ZIP Floppy Support enables or disables the support of Advanced Technology Attachment Packet Interface (ATAPI) Zip devices by the system BIOS. When **Enabled** is selected, ATAPI Zip devices are supported as diskette drives, and the first Zip device is listed as a bootable device under [Boot Sequence](#). When **Disabled** is selected, the system BIOS ignores ATAPI Zip devices, though the operating system may still support them.

[Back to Contents Page](#)

[Back to Contents Page](#)

Software Checks: Dell™ OptiPlex™ GX100 System User's Guide

- [Overview](#)
 - [Installing and Configuring Software](#)
 - [Error Messages](#)
 - [Input Errors](#)
 - [Memory-Resident Programs](#)
 - [Program Conflicts](#)
 - [Memory Address Conflicts](#)
 - [Interrupt Assignment Conflicts](#)
-

Overview

Because most computers have several application programs installed in addition to the operating system, isolating a software problem can be confusing. Software errors can also appear to be hardware malfunctions at first. Software problems can result from the following circumstances:

- 1 Improper installation or configuration of a program
- 1 Input errors
- 1 Device drivers that conflict with certain application programs
- 1 Memory conflicts resulting from the use of terminate-and-stay-resident (TSR) programs
- 1 Interrupt conflicts between devices

You can confirm that a computer problem is caused by software by running the **System Board Devices** test group as described in "[Dell Diagnostics](#)." If all tests in the test group complete successfully, the error condition is most likely caused by software.

This section provides some general guidelines for analyzing software problems. For detailed troubleshooting information on a particular program, see the documentation that accompanied the software or consult the support service for the software.

Installing and Configuring Software

When you obtain software, check it for viruses with virus-scanning software before installing it on your computer's hard-disk drive. Viruses, which are pieces of code that can replicate themselves, can quickly use all available system memory, damage or destroy data stored on the hard-disk drive, and permanently affect the performance of the programs they infect. Several commercial virus-scanning programs are available for purchase, and most bulletin board services (BBSs) archive freely distributed virus-scanning programs that you can download with a modem.

Before you install a program, read its documentation to learn how the program works, what hardware it requires, and what its defaults are. A program usually includes installation instructions in its accompanying documentation and a software installation routine on its program diskette(s) or CD(s).

The software installation routine assists you in transferring the appropriate program files to your computer's hard-disk drive. Installation instructions may provide details about how to configure your operating system to successfully run the program. Always read the installation instructions before running a program's installation routine. You may be instructed to modify some operating system start-up files, such as **config.sys** and **autoexec.bat**, or the installation routine may modify start-up files automatically.

When you run the installation routine, be prepared to respond to prompts for information about how your computer's operating system is configured, what type of computer you have, and what peripherals are connected to your computer.

Error Messages

Error messages can be produced by an application program, the operating system, or the computer. "[Messages and Codes](#)" discusses the error messages that are generated by the system. If you receive an error message that is not listed in "Messages and Codes," check your operating system or application program documentation.

Input Errors

If a specific key or set of keys is pressed at the wrong time, a program may give you unexpected results. See the documentation that came with your application program to make sure the values or characters you are entering are valid.

Make sure the operating environment is set up to accommodate the programs you use. Keep in mind that whenever you change the parameters of the computer's operating environment, you may affect the successful operation of your programs. Sometimes, after modifying the operating

environment, you may need to reinstall a program that no longer runs properly.

Memory-Resident Programs

There are a variety of utilities and supplementary programs that can be loaded either when the computer boots or from an operating system prompt. These programs are designed to stay resident in system memory and thus always be available for use. Because they remain in the computer's memory, memory conflicts and errors can result when other programs require use of all or part of the memory already occupied by these TSR programs.

Typically, your operating system's start-up files (such as **config.sys** and **autoexec.bat**) contain commands to start TSR programs when you boot your system. If you suspect that one of these TSR programs is causing a memory conflict, remove the commands that start them from the start-up file. If the problem you were experiencing does not recur, one of the TSR programs probably created the conflict. Add the TSR commands back into the start-up files one at a time until you identify which TSR program is creating the conflict.

Program Conflicts

Some programs may leave portions of their setup information behind, even though you have exited from them. As a result, other programs cannot run. Rebooting your system can confirm whether or not these programs are the cause of the problem.

Programs that use specialized subroutines called *device drivers* can also cause problems with your computer system. For example, a variation in the way the data is sent to the monitor may require a special screen driver program that expects a certain kind of video mode or monitor. In such cases, you may have to develop an alternative method of running that particular program—the creation of a boot file made especially for that program, for example. Call the support service for the software you are using to help you with this problem.

Memory Address Conflicts

Memory address conflicts occur when two or more devices try to access the same address in the upper memory blocks (UMB). For example, if a network expansion card and an expanded-memory page frame are assigned an overlapping block of addresses, a memory address conflict arises. As a result, when you try to log in to the network, the operation fails.

To resolve this type of conflict, you can change the address of one of the devices. For example, in the case of the network expansion card and expanded-memory page-frame address conflict, you can move the network card to an address block in the range of CC000h through D0000h. To reassign the expansion card's address block, refer to the documentation for the card.

Interrupt Assignment Conflicts

Problems can arise if two devices attempt to use the same interrupt request (IRQ) line. To avoid this type of conflict, check the documentation for the default IRQ-line setting for each installed expansion card. Then consult [Table 1](#) to configure the card for one of the available IRQ lines.


 **NOTE:** *Table 1 lists default IRQ settings. In systems with Plug and Play capabilities, you can modify the default settings. If you install a Plug and Play card in a Plug and Play system, the system automatically selects an open IRQ line if any are available. If you install a non-Plug and Play or legacy card, you may need to run the ISA Configuration Utility to determine the current IRQ settings and to find an available IRQ line.*

Table 1. Default IRQ Line Assignments

IRQ Line	Used/Available
IRQ0	Used by the system timer
IRQ1	Used by the keyboard to signal that the output buffer is full
IRQ2	Used by interrupt controller 1 to enable IRQ8 through IRQ15
IRQ3	Used by serial port 2
IRQ4	Used by serial port 1
IRQ5	Available
IRQ6	Used by the diskette/tape drive controller
IRQ7	Used by the parallel port
IRQ8	Used by the real-time clock (RTC)
IRQ9	Used by the video graphics array (VGA) interface (optional)
IRQ10	Available
IRQ11	Available

IRQ12	Used by the mouse port
IRQ13	Used by the math coprocessor (if applicable)
IRQ14	Used by the primary integrated drive electronics (IDE) controller
IRQ15	Used by the secondary IDE controller

[Back to Contents Page](#)

Technical Specifications: Dell™ OptiPlex™ GX100 System User's Guide

- [Processor](#)
- [Memory](#)
- [System Information](#)
- [Graphics and Video](#)
- [Expansion Bus](#)
- [Drives](#)
- [Ports](#)
- [Key Combinations](#)
- [Controls and Indicators](#)
- [Power](#)
- [Physical](#)
- [Environmental](#)

Processor

Microprocessor type	socketed Intel® Celeron™ microprocessor
Internal cache	32-kilobyte (KB) first-level (16-KB data cache; 16-KB instruction cache)
Level 2 (L2) cache memory	integrated 128-KB at full microprocessor speed
Math coprocessor	internal to Celeron microprocessor

Memory

Architecture	100-megahertz (MHz) synchronous dynamic random-access memory (SDRAM)
Dual in-line memory module (DIMM) sockets	two (non-error checking and correction [ECC])
DIMM capacities	32-, 64-, 128-, and 256-megabyte (MB) SDRAM
System random-access memory (RAM)	32 to 512 MB
Basic input/output system (BIOS) address	F50000h

System Information

System chip set	Intel 810
Data bus width	64 bits
Address bus width	32 bits
DMA channels	eight
Interrupts	15
System BIOS	Desktop Management Interface (DMI) 2.0s-, and system management BIOS 2.3-compliant BIOS in 4-megabit (Mb) flash chip
System clock	66 or 100 MHz (matches external bus speed)

Graphics and Video

Graphics architecture	Intel Dynamic Video Memory (DVM) technology
Graphics accelerator	Intel Direct Accelerated Graphics Port (AGP) 2D and 3D graphics accelerator
Display cache	4 MB, 100-MHz synchronous dynamic random-access memory (SDRAM)
Graphics memory	Dynamically assigned from system memory
Video resolutions	800 x 600 pixels; 85 hertz (Hz) refresh rate with 16.7 million colors 1024 x 786 pixels; 85 Hz refresh rate with 64,000 colors 1280 x 1024 pixels; 85 Hz refresh rate with 256 colors 1600 x 1200 pixels; 75 Hz refresh rate with 256 colors

Expansion Bus

Bus types	Peripheral Component Interconnect (PCI), Industry-Standard Architecture (ISA)
Bus speed	PCI: 33 MHz ISA: 8.33 MHz
Small form-factor chassis expansion-card connectors:	
PCI riser board	two PCI expansion slots
Low-profile chassis expansion-card connectors:	
PCI riser board	three PCI expansion slots
PCI/ISA riser board	one PCI expansion slot; one ISA expansion slot; one shared PCI/ISA expansion slot
Mini tower chassis expansion-card connectors:	
PCI riser board	five PCI expansion slots
PCI/ISA riser board	three PCI expansion slots; two ISA expansion slots; two shared PCI/ISA expansion slots
PCI expansion-card connector size	120 pins
PCI expansion-card connector data width (maximum)	32 bits
ISA expansion-card connector size	98 pins
ISA expansion-card connector data width (maximum)	16 bits

Drives

Externally accessible bays:	
Small-form-factor chassis	one 3.5-inch bay for a 3.5-inch diskette drive; one 5.25-inch bay for a removable media device (slim-height devices only)
Low-profile chassis	one 3.5-inch bay for a 3.5-inch diskette drive; one 5.25-inch bay for a removable media device
Mini tower chassis	one 3.5-inch bay for a 3.5-inch diskette drive; three 5.25-inch bays for removable media devices
Internally accessible bays:	
Small-form-factor chassis	one bay for a 1-inch-high enhanced integrated drive electronics (EIDE) hard-disk drive
Low-profile chassis	one bay for a 1-inch-high EIDE hard-disk drive
Mini tower chassis	two 3.5-inch bays for either one or two 1-inch-high hard-disk drives, or one 1-inch-high hard-disk drive and one 1.6-inch-high hard-disk drive

Ports

Externally accessible:	
Serial (data terminal equipment DTE)	two 9-pin connectors; 16550-compatible
Parallel	25-hole connector (bidirectional)
Video	15-hole connector
Integrated network interface controller (NIC)	RJ45 connector

Personal System/2 (PS/2)-style keyboard	6-pin mini-Deutsche Industrie Norm (DIN)
PS/2-compatible mouse	6-pin mini-DIN
Universal Serial Bus (USB)	two USB-compliant connectors
Internally accessible:	
Primary EIDE hard-disk drive	40-pin connector on PCI local bus
Secondary EIDE hard-disk drive	40-pin connector on PCI local bus
Diskette drive	34-pin connector
Remote Wake Up	3-pin connector
Fan	3-pin connector

Key Combinations

<Ctrl><Alt>	restarts (reboots) the system
<Ctrl><Alt><L>	toggles microprocessor speeds on 101-key keyboard (in MS-DOS® real mode only)
<Ctrl><Alt><#>	toggles microprocessor speeds on 102-key keyboard (in MS-DOS real mode only)
<F2> or <Ctrl><Alt><Enter>	starts embedded System Setup (during power-on self-test [POST] only)
<F3> or <F12>	automatically starts (boots) the system from the network environment specified by the managed boot agent (MBA) rather than from one of the devices in the System Setup Boot Sequence option
<Ctrl><Alt><F10>	launches the utility partition (if installed) during system start-up

Controls and Indicators

Reset control	push button (no reset button on small-form-factor systems)
Power control	push button
Power indicators	green light-emitting diode (LED) on riser board; blinking green on the front panel indicates sleep state; dual-color LED on front panel—green for power, yellow for diagnostics
Hard-disk drive access indicator	green LED
Link integrity indicator (on optional integrated NIC connector)	green LED for 10-Mb operation; orange LED for 100-Mb operation
Activity indicator (on optional integrated NIC connector)	yellow LED

Power

DC power supply:	
Wattage	small-form-factor chassis: 110 watts (W); low-profile chassis: 145 W; mini tower chassis: 200 W
Heat dissipation	small-form-factor chassis: 808 British thermal units (BTU)/hour (hr) (nominal); low-profile chassis: 808 BTU/hr (nominal); mini tower chassis: 913 BTU/hr (nominal)
Voltage	90 to 135 volts (V) at 60 hertz (Hz); 180 to 265 V at 50 Hz
Backup battery	3-V CR2032 coin cell

Physical

Small-form-factor chassis:

Height	9.1 cm (3.6 inches)
Width	31.8 cm (12.5 inches)
Depth	37.8 cm (14.9 inches)
Weight	6.6 kilograms (kg) (14.5 pounds [lb])

Low-profile chassis:

Height	10.9 centimeters (cm) (4.3 inches)
Width	40.9 cm (16.1 inches)
Depth	43.7 cm (17.2 inches)
Weight	10.9 kg (24 lb)

Mini tower chassis:

Height	44.4 cm (17.5 inches)
Width	20.6 cm (8.1 inches)
Depth	43.7 cm (17.2 inches)
Weight	14.9 kg (33.0 lb) or more, depending on options installed

Environmental

Temperature:

Operating	10° to 35° Celsius (C) (50° to 95° Fahrenheit [F])
Storage	-40° to 65°C (-40° to 149°F)

Relative humidity 20% to 80% (noncondensing)

Maximum vibration:

Operating	0.25 gravities (G) at 3 to 200 Hz at 1 octave/min
Storage	0.5 G at 3 to 200 Hz at 1 octave/min

Maximum shock:

Operating	bottom half-sine pulse with a change in velocity of 20 inches/sec (50.8 cm/sec)
Storage	27-G faired square wave with a velocity change of 200 inches/sec (508 cm/sec)


Altitude:

Operating	-16 to 3048 meters (m) (-50 to 10,000 feet [ft])
Storage	-16 to 10,600 m (-50 to 35,000 ft)

[Back to Contents Page](#)

[Back to Contents Page](#)

System Setup: Dell™ OptiPlex™ GX100 System User's Guide

 [Using System Setup](#)

 [System Setup Options](#)

[Back to Contents Page](#)

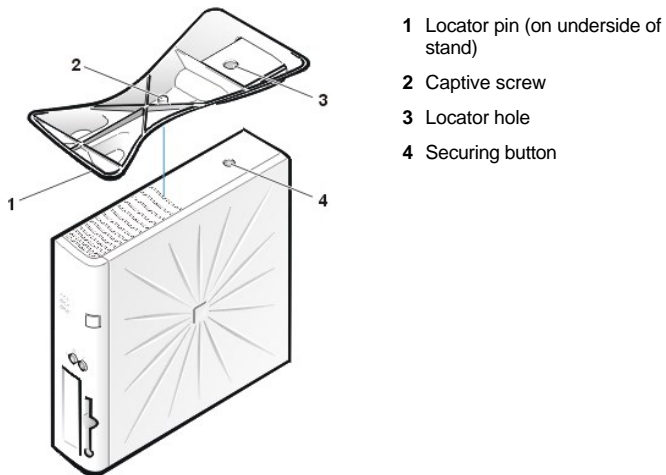
Optional Stand: Dell™ OptiPlex™ GX100 System User's Guide


Removing and Attaching the Small-Form-Factor or Low-Profile Chassis Optional Stand

To remove the optional stand from the small-form-factor or low-profile chassis, perform the following steps:

1. Turn the computer over so that the stand is at the top.
2. Loosen the captive screw and lift the stand away (see [Figure 1](#)).
3. Place the computer in a horizontal position.

Figure 1. Low-Profile Chassis Optional Stand



 **NOTE:** The low-profile chassis and its optional stand are shown in [Figure 1](#). The optional stand for the small-form-factor chassis differs slightly in shape, but the process for removing or replacing the stand is the same as for the low-profile chassis.

To attach the optional stand to the small-form-factor or low-profile chassis, perform the following steps:

1. Turn the computer onto its right side so that the drive bays are at the bottom.
2. Fit the stand onto what was the left side of the computer.

Position the stand as shown in [Figure 1](#). Align the large round hole in the stand with the securing button on the side of the cover, and align the captive thumbscrew in the stand with the screw hole in the cover.

As you lower the stand into place, make sure that the locator pin (see [Figure 1](#)) fits into the corner hole of the hole pattern as shown. When the stand is in place, tighten the thumbscrew.

3. Rotate the computer so that the stand is at the bottom and the drives are at the top.

[Back to Contents Page](#)

Using System Setup: Dell™ OptiPlex™ GX100 System User's Guide

[Overview](#)

[System Setup Screen](#)

[Entering System Setup](#)


[System Setup Navigation Keys](#)

Overview

Each time you turn on your computer system or press the reset button, the system compares the hardware installed in the system to the hardware listed in the system configuration information stored in nonvolatile random-access memory (NVRAM) on the system board. If the system detects a discrepancy, it generates error messages that identify the incorrect configuration settings. The system then prompts you to [enter System Setup](#) to correct the setting.

You can use System Setup as follows:

- 1 To change the system configuration information after you add, change, or remove any hardware in your system
- 1 To set or change user-selectable options—for example, the time or date on your system

 **NOTE:** You can change many of the same settings through the Desktop Management Interface (DMI) client by using the optional [Dell OpenManage™ IT Assistant](#).

You can view the current settings at any time. When you change a setting, in many cases you must reboot the system before the change takes effect.

After you set up your system, run System Setup to familiarize yourself with your system configuration information and optional settings. Dell recommends that you print the System Setup screens (by pressing the <Print Screen> key) or record the information for future reference.


Before you use System Setup, you need to know the kind of diskette drive(s) and hard-disk drive(s) installed in your computer. If you are unsure of this information, see the Manufacturing Test Report that was shipped with your system and is located in the **Dell Accessories** folder.

Entering System Setup

To enter System Setup, perform the following steps:

1. Turn on your system.
If your system is already on, shut it down and then turn it on again.
2. When the **Press <F2> to Enter Setup** prompt appears in the upper-right corner of the screen, press <F2>.

If you wait too long and your operating system begins to load into memory, *let the operating system finish loading*; then shut down the system and try again.

 **NOTE:** To ensure an orderly system shutdown, use the shutdown option from the **Start** menu for any Microsoft® operating system. For other operating systems, see the documentation that accompanied the operating system.

System Setup Screen

The **System Setup** screen displays the current setup and configuration information and optional settings for your system. Information on the **System Setup** screen is organized in four areas:

- 1 Title — The box at the top of all screens lists the system name.
- 1 System data — The two boxes below the title box display your system processor, level 2 (L2) cache, service tag, and the version number of the basic input/output system (BIOS).
- 1 Options — The main area of the screen is a scrollable window containing options that define the installed hardware in your computer and the power conservation and security features for your computer.

Fields next to the options contain settings or values. You can change those values that appear bright on the screen. Options or values that you cannot change (because they are determined or calculated by the computer) appear less bright.



















- 1 Key functions — The line of boxes across the bottom of all screens lists keys and their functions within System Setup.

Dell Computer Corporation (www.dell.com) - OptiPlex GX100	
Intel® Pentium® Processor: 500 MHz Level 2 Cache : 128 KB Integrated	BIOS Version : A00 Service Tag : A1234
System Time	10:11:12
System Date	Thu May 28, 1999
Diskette Drive A:	3.5 inch, 1.44 MB
Diskette Drive B:	Not Installed
Zip Floppy Support	Disabled
Primary Drive 0	Hard Drive
Primary Drive 1	OFF
Secondary Drive 0	Hard Drive
Secondary Drive 1	ATAPI Device
Hard-Disk Drive Sequence	<ENTER>
Boot Sequence	<ENTER>
Installed System Memory	129 MB RDRAM
Video Memory	4 MB Integrated
Reserved Memory	None Reserved
CPU Information	<ENTER>
Integrated Devices	<ENTER>
PCI IRQ Assignment	<ENTER>
System Security	<ENTER>
Keyboard NumLock	On
Report Keyboard Errors	Report
Auto Power On	Disabled
Remote Wake Up	Off
AC Power Recovery	Last
Asset Tag	ASSET TAG
↑↓ to select SPACE, +, - to change ESC to exit F1=HELP	

System Setup Navigation Keys

Table 1 lists the keys you use to view or change information on the **System Setup** screen and to exit the program.

Table 1. System Setup Navigation Keys

Keys	Action
 or 	Moves to the next field.
  or 	Moves to the previous field.
 or 	Cycles through the options in a field. In many fields, you can also type the appropriate value.
 or 	Scrolls through help information.
	Enters the selected field's pop-up options menu.
spacebar or  or 	In the selected field's pop-up options menu, cycles through the options in a field.
 	Exits System Setup without rebooting the system and returns the system to its previous state—the boot routine. ¹
 	Exits System Setup and reboots the system, implementing any changes you have made.
 	Resets the selected option to its default setting.

¹For most of the options, any changes you make are recorded but do not take effect until the next time you boot the system. For a few options (as noted in the help area), the changes take effect immediately.

[Back to Contents Page](#)

Troubleshooting: Dell™ OptiPlex™ GX100 System User's Guide

[Basic Checks](#)

[Messages and Codes](#)

[Software Checks](#)

[Dell Diagnostics](#)

[External Components](#)

[Internal Components](#)

[Getting Help](#)

[Back to Contents Page](#)

Free Manuals Download Website

<http://myh66.com>

<http://usermanuals.us>

<http://www.somanuals.com>

<http://www.4manuals.cc>

<http://www.manual-lib.com>

<http://www.404manual.com>

<http://www.luxmanual.com>

<http://aubethermostatmanual.com>

Golf course search by state

<http://golfingnear.com>

Email search by domain

<http://emailbydomain.com>

Auto manuals search

<http://auto.somanuals.com>

TV manuals search

<http://tv.somanuals.com>