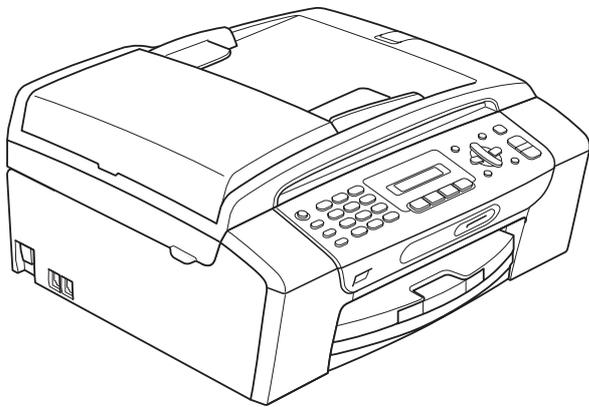


brother®

# USER'S GUIDE

---



MFC-290C

Version 0

USA/CAN

## **If you need to call Customer Service**

**Please complete the following information for future reference:**

**Model Number: MFC-290C**

**Serial Number: <sup>1</sup> \_\_\_\_\_**

**Date of Purchase: \_\_\_\_\_**

**Place of Purchase: \_\_\_\_\_**

**<sup>1</sup> The serial number is on the back of the unit. Retain this User's Guide with your sales receipt as a permanent record of your purchase, in the event of theft, fire or warranty service.**

**Register your product on-line at**

**<http://www.brother.com/registration/>**

By registering your product with Brother, you will be recorded as the original owner of the product. Your registration with Brother:

- may serve as confirmation of the purchase date of your product should you lose your receipt;
- may support an insurance claim by you in the event of product loss covered by insurance; and,
- will help us notify you of enhancements to your product and special offers.

The most convenient and efficient way to register your new product is on-line at <http://www.brother.com/registration/>

# Brother numbers

## IMPORTANT

For technical help, you must call the country where you bought the machine. Calls must be made **from within** that country.

## Register your product

By registering your product with Brother International Corporation, you will be recorded as the original owner of the product. Your registration with Brother:

- may serve as confirmation of the purchase date of your product should you lose your receipt;
- may support an insurance claim by you in the event of product loss covered by insurance; and,
- will help us notify you of enhancements to your product and special offers.

Please complete and fax the Brother Warranty Registration And Test Sheet or, for your convenience and most efficient way to register your new product, register on-line at

<http://www.brother.com/registration/>

## FAQs (frequently asked questions)

The Brother Solutions Center is our one-stop resource for all your Fax Machine/Multi-Function Center needs. You can download the latest software documents and utilities, read FAQs and troubleshooting tips, and learn how to get the most from your Brother product.

<http://solutions.brother.com/>



### Note

- You can check here for Brother driver updates.
- To keep your machine performance up to date, check here for the latest firmware upgrade (for Windows® only).

## For Customer Service

**In USA:** 1-877-BROTHER (1-877-276-8437)

1-901-379-1215 (fax)

**In Canada:** 1-877-BROTHER

(514) 685-4898 (fax)

### Service Center Locator (USA only)

For the location of a Brother authorized service center, call 1-877-BROTHER (1-877-276-8437)

### Service Center Locations (Canada only)

For the location of a Brother authorized service center, call 1-877-BROTHER.

# Ordering accessories and supplies

For best quality results use only genuine Brother accessories, which are available at most Brother retailers. If you cannot find the accessory you need and you have a Visa, MasterCard, Discover, or American Express credit card, you can order accessories directly from Brother. (You can visit us online for a complete selection of the Brother accessories and supplies that are available for purchase.)

## Note

In Canada only Visa and MasterCard are accepted.

**In USA:** 1-877-552-MALL (1-877-552-6255)  
1-800-947-1445 (fax)

<http://www.brothermall.com/>

**In Canada:** 1-877-BROTHER

<http://www.brother.ca/>

Description	Item
Ink Cartridge Standard <black>	LC61BK (Prints approx. 450 pages) <sup>1</sup>
Ink Cartridge <yellow>	LC61Y (Prints approx. 325 pages) <sup>1</sup>
Ink Cartridge <cyan> (blue)	LC61C (Prints approx. 325 pages) <sup>1</sup>
Ink Cartridge <magenta> (red)	LC61M (Prints approx. 325 pages) <sup>1</sup>
Premium Plus Glossy Finish Photo Paper (Letter size / 20 sheets) (4"x6" size / 20 sheets)	BP71GLTR BP71GP
Matte Finish Inkjet Paper (Letter size / 25 sheets)	BP60ML (USA only)
Plain Finish Inkjet Paper (Letter size / 100 sheets)	BP60PL100 (USA only)
Telephone Line Cord	LG3077001 (USA only)
User's Guide	LS5911001 (English for USA and Canada) LS5911002 (French For Canada)

<sup>1</sup> For more information about the replacement consumables, visit at [www.brother.com/pageyield](http://www.brother.com/pageyield).

## **Notice - Disclaimer of Warranties (USA and Canada)**

BROTHER'S LICENSOR(S), AND THEIR DIRECTORS, OFFICERS, EMPLOYEES OR AGENTS (COLLECTIVELY BROTHER'S LICENSOR) MAKE NO WARRANTIES, EXPRESS OR IMPLIED, INCLUDING WITHOUT LIMITATION THE IMPLIED WARRANTIES OF MERCHANTABILITY AND FITNESS FOR A PARTICULAR PURPOSE, REGARDING THE SOFTWARE. BROTHER'S LICENSOR(S) DOES NOT WARRANT, GUARANTEE OR MAKE ANY REPRESENTATIONS REGARDING THE USE OR THE RESULTS OF THE USE OF THE SOFTWARE IN TERMS OF ITS CORRECTNESS, ACCURACY, RELIABILITY, CURRENTNESS OR OTHERWISE. THE ENTIRE RISK AS TO THE RESULTS AND PERFORMANCE OF THE SOFTWARE IS ASSUMED BY YOU. THE EXCLUSION OF IMPLIED WARRANTIES IS NOT PERMITTED BY SOME STATES IN THE USA AND SOME PROVINCES IN CANADA. THE ABOVE EXCLUSION MAY NOT APPLY TO YOU.

IN NO EVENT WILL BROTHER'S LICENSOR(S) BE LIABLE TO YOU FOR ANY CONSEQUENTIAL, INCIDENTAL OR INDIRECT DAMAGES (INCLUDING DAMAGES FOR LOSS OF BUSINESS PROFITS, BUSINESS INTERRUPTION, LOSS OF BUSINESS INFORMATION, AND THE LIKE) ARISING OUT OF THE USE OR INABILITY TO USE THE SOFTWARE EVEN IF BROTHER'S LICENSOR HAS BEEN ADVISED OF THE POSSIBILITY OF SUCH DAMAGES. BECAUSE SOME STATES IN THE USA AND SOME PROVINCES IN CANADA DO NOT ALLOW THE EXCLUSION OR LIMITATION OF LIABILITY FOR CONSEQUENTIAL OR INCIDENTAL DAMAGES, THE ABOVE LIMITATIONS MAY NOT APPLY TO YOU. IN ANY EVENT BROTHER'S LICENSOR'S LIABILITY TO YOU FOR ACTUAL DAMAGES FROM ANY CAUSE WHATSOEVER, AND REGARDLESS OF THE FORM OF THE ACTION (WHETHER IN CONTRACT, TORT (INCLUDING NEGLIGENCE), PRODUCT LIABILITY OR OTHERWISE), WILL BE LIMITED TO \$50.

## **Compilation and Publication Notice**

Under the supervision of Brother Industries Ltd., this manual has been compiled and published, covering the latest product descriptions and specifications.

The contents of this manual and the specifications of this product are subject to change without notice.

Brother reserves the right to make changes without notice in the specifications and materials contained herein and shall not be responsible for any damages (including consequential) caused by reliance on the materials presented, including but not limited to typographical and other errors relating to the publication.

# Brother® One-Year Limited Warranty and Replacement Service (USA Only)

## Who is covered:

- This limited warranty (“warranty”) is given only to the original end-use/retail purchaser (referred to in this warranty as “Original Purchaser”) of the accompanying product, consumables and accessories (collectively referred to in this warranty as “this Product”).
- If you purchased a product from someone other than an authorized Brother reseller in the United States or if the product was used (including but not limited to floor models or refurbished product), prior to your purchase you are not the Original Purchaser and the product that you purchased is not covered by this warranty.

## What is covered:

- This Product includes a Machine and Consumable and Accessory Items. Consumable and Accessory Items include but are not limited to print heads, toner, drums, ink cartridges, print cartridges, cordless handset battery, refill ribbons, therma PLUS paper and thermal paper.
- Except as otherwise provided herein, Brother warrants that the Machine and the accompanying Consumable and Accessory Items will be free from defects in materials and workmanship, when used under normal conditions.
- This warranty applies only to products purchased and used in the United States. For products purchased in, but used outside, the United States, this warranty covers only warranty service within the United States (and does not include shipping outside the United States).

## What is the length of the Warranty Periods:

- Machines: one year from the original purchase date.
- Accompanying Consumable and Accessory Items: 90 days from the original purchase date or the rated life of consumable, whichever comes first.

## What is NOT covered:

This warranty does not cover:

- 1 Physical damage to this Product;
- 2 Damage caused by improper installation, improper or abnormal use, misuse, neglect or accident (including but not limited to transporting this Product without the proper preparation and/or packaging);

- 3 Damage caused by another device or software used with this Product (including but not limited to damage resulting from use of non Brother®-brand parts and Consumable and Accessory Items);
- 4 Consumable and Accessory Items that expired in accordance with a rated life;
- 5 Problems arising from other than defects in materials or workmanship; and,
- 6 Normal Periodic Maintenance Items, such as Paper Feeding Kit, Fuser and Laser Units.

This limited warranty is VOID if this Product has been altered or modified in any way (including but not limited to attempted warranty repair without authorization from Brother and/or alteration/removal of the serial number).

## What to do if you think your Product is eligible for warranty service:

Report your issue to either our Customer Service Hotline at 1-877-BROTHER (1-877-276-8437) or to a Brother Authorized Service Center within the applicable warranty period. Supply Brother or the Brother Authorized Service Center with a copy of your dated bill of sale showing that this Product was purchased within the U.S. For the name of local Brother Authorized Service Center(s), call 1-877-BROTHER (1-877-276-8437) or visit [www.brother-usa.com](http://www.brother-usa.com).

## What Brother will ask you to do:

After contacting Brother or a Brother Authorized Service Center, you may be required to deliver (by hand if you prefer) or send the Product properly packaged, freight prepaid, to the Authorized Service Center together with a photocopy of your bill of sale. **You are responsible for the cost of shipping, packing product, and insurance (if you desire). You are also responsible for loss or damage to this Product in shipping.**

## What Brother will do:

If the problem reported concerning your Machine and/or accompanying Consumable and Accessory Items is covered by this warranty and if you first reported the problem to Brother or an Authorized Service Center within the applicable warranty period, Brother or its Authorized Service Center will repair or replace the Machine and/or accompanying Consumable and Accessory Items at no charge to you for parts or labor. The decision as to whether to repair or replace the Machine and/or accompanying Consumable and Accessory Items is made by Brother in its sole

## Brother® One-Year Limited Warranty and Replacement Service (USA Only)

discretion. Brother reserves the right to supply a refurbished or remanufactured replacement Machine and/or accompanying Consumable and Accessory Items and use refurbished parts provided such replacement products conform to the manufacturer's specifications for new product/parts. The repaired or replacement Machine and/or accompanying Consumable and Accessory Items will be returned to you freight prepaid or made available for you to pick up at a conveniently located Authorized Service Center.

If the Machine and/or accompanying Consumable and Accessory Items are not covered by this warranty (either stage), you will be charged for shipping the Machine and/or accompanying Consumable and Accessory Items back to you and charged for any service and/or replacement parts/products at Brother's then current published rates.

**The foregoing are your sole (i.e., only) and exclusive remedies under this warranty.**

**What happens when Brother elects to replace your Machine:**

When a replacement Machine is authorized by Brother, and you have delivered the Machine to an Authorized Service Center, the Authorized Service Center will provide you with a replacement Machine after receiving one from Brother. If you are dealing directly with Brother's Express Exchange Service Brother will send to you a replacement Machine shipped for receipt within two business days, with the understanding that you will, after receipt of the replacement Machine, supply the required proof of purchase information, together with the Machine that Brother agreed to replace. You are then expected to pack the Machine that Brother agreed to replace in the package from the replacement Machine and return it to Brother using the pre-paid freight bill supplied by Brother in accordance with the instructions provided by Brother. Since you will be in possession of two machines, Brother will require that you provide a valid major credit card number. Brother will issue a hold against the credit card account number that you provide until Brother receives your original Product and determines that your original Product is entitled to warranty coverage. Your credit card will be charged up to the cost of a new Product only if: (i) you do not return your original Product to Brother within five (5) business days; (ii) the problems with your original Product are not covered by the limited warranty; (iii) the proper packaging instructions are not followed and has caused damage to

the product; or (iv) the warranty period on your original Product has expired or has not been sufficiently validated with a copy of the proof of purchase (bill of sale). The replacement Machine you receive (even if refurbished or remanufactured) will be covered by the balance of the limited warranty period remaining on the original Product, plus an additional thirty (30) days. You will keep the replacement Machine that is sent to you and your original Machine shall become the property of Brother. **Retain your original Accessory Items and a copy of the return freight bill, signed by the courier.**

### **Limitations:**

Brother is not responsible for damage to or loss of any equipment, media, programs or data related to the use of this Product. Except for the repair or replacement as described above, Brother shall not be liable for any direct, indirect, incidental or consequential damages or specific relief. Because some states do not allow the exclusion or limitation of consequential or incidental damages, the above limitation may not apply to you.

THIS WARRANTY IS GIVEN IN LIEU OF ALL OTHER WARRANTIES, WRITTEN OR ORAL, WHETHER EXPRESSED BY AFFIRMATION, PROMISE, DESCRIPTION, DRAWING, MODEL OR SAMPLE. ANY AND ALL WARRANTIES OTHER THAN THIS ONE, WHETHER EXPRESS OR IMPLIED, INCLUDING IMPLIED WARRANTIES OF MERCHANTABILITY AND FITNESS FOR A PARTICULAR PURPOSE, ARE HEREBY DISCLAIMED.

- This Limited Warranty is the only warranty that Brother is giving for this Product. It is the *final expression and the exclusive and only statement* of Brother's obligations to you. It replaces all other agreements and understandings that you may have with Brother or its representatives.
- This warranty gives you certain rights and you may also have other rights that may vary from state to state.
- This Limited Warranty (and Brother's obligation to you) may not be changed in any way unless you and Brother sign the same piece of paper in which we (1) refer to this Product and your bill of sale date, (2) describe the change to this warranty and (3) agree to make that change.

**Important:** *We recommend that you keep all original packing materials, in the event that you ship this Product.*

## **BROTHER MULTIFUNCTION CENTER / FAX MACHINE LIMITED WARRANTY (Canada only)**

Pursuant to the limited warranty of 1 year from the date of purchase for labour and parts, Brother International Corporation (Canada) Ltd. ("Brother"), or its Authorized Service Centres, will repair or replace (at Brother's sole discretion) this MFC/Fax machine free of charge if defective in material or workmanship. This warranty applies only to products purchased and used in Canada. This limited Warranty does not include cleaning, consumables (including, without limitation, ink cartridges, print cartridges, print rolls, thermal paper rolls, toner cartridges, drum units, OPC belts, fixing units, print heads, paper feed rollers, transfer rolls, cleaning rollers, waste toner packs, oil bottles) or damage caused by accident, neglect, misuse or improper installation or operation, any damage caused from service, maintenance, modifications, or tampering by anyone other than a Brother Authorized Service Representative, or if shipped out of the country.

The use of supplies or consumable items that are non-Brother products may void your warranty. This limited warranty ceases when this machine is rented, sold, or otherwise disposed of. Operation of the MFC/Fax machine in excess of the specifications or with the Serial Number or Rating Label removed shall be deemed abuse and all repairs thereafter shall be the sole liability of the end-user/purchaser.

In order to obtain warranty service, the MFC/Fax machine must be delivered or shipped freight prepaid by the end-user/purchaser to a "Brother" Authorized Service Centre, together with your Canadian Proof of Purchase in the form of a Sales Receipt.

When shipping or transporting your MFC/Fax machine, please refer to your Operation Manual for the proper packaging procedures.

For Laser units: Failure to remove the Toner Cartridge (and Toner Drum Unit, waste toner packs or oil bottles on applicable models) during shipping or transport will cause severe damage to the Laser MFC/Fax machine and will void the Warranty.

For inkjet units: (When shipping your Inkjet MFC/Fax machine remove the ink cartridges and replace them with the original protective parts. If original protective parts are not available, leave ink cartridges installed. Please avoid shipping the unit without original protective parts or ink cartridges.) Damage to your print head resulting from packing the Inkjet MFC/Fax machine without the ink cartridges or the protective parts will void your warranty.

Improper packaging may cause severe damage to the machine during shipping and will void the warranty. BROTHER DISCLAIMS ALL OTHER WARRANTIES EXPRESSED OR IMPLIED INCLUDING, WITHOUT LIMITATIONS, ANY IMPLIED WARRANTIES OF MERCHANTABILITY OR FITNESS FOR A PARTICULAR PURPOSE, EXCEPT TO THE EXTENT THAT ANY WARRANTIES IMPLIED BY LAW CANNOT BE VALIDLY WAIVED.

No oral or written information, advice or representation provided by Brother, its Authorized Service Centres, Distributors, Dealers, Agents or employees, shall create another warranty or modify this warranty. The warranty states Brother's entire liability and your exclusive remedy against Brother for any failure of the MFC/Fax machine to operate properly.

Neither Brother nor anyone else involved in the development, production, or delivery of this MFC/Fax machine shall be liable for any indirect, incidental, special, consequential, exemplary, or punitive damages, including lost profits, arising from the use of or inability to use the product, even if advised by the end user/purchaser of the possibility of such damages. Since some Provinces do not allow the above limitation of liability, such limitation, may not apply to you.

**This Limited Warranty gives you specific legal rights and you may also have other rights which vary from Province to Province.**

**Warranty Service is available at Brother Authorized Service Centres throughout Canada. For Technical Assistance or for the name and location of your nearest Authorized Service Centre call 1-877-BROTHER.**

The Brother logo, consisting of the word "brother" in a bold, lowercase, sans-serif font, with a registered trademark symbol (®) to the right.

**Internet support: [support@brother.ca](mailto:support@brother.ca) or browse Brother's Web Site [www.brother.ca](http://www.brother.ca).**

# Table of Contents

## Section I General

<b>1</b>	<b>General Information</b>	<b>2</b>
	Using the documentation .....	2
	Symbols and conventions used in the documentation .....	2
	Accessing the Software User's Guide .....	2
	Viewing Documentation .....	2
	Accessing Brother Support (For Windows®) .....	5
	Control panel overview .....	6
<b>2</b>	<b>Loading paper and documents</b>	<b>8</b>
	Loading paper and other print media .....	8
	Loading envelopes and post cards .....	10
	Removing small printouts from the machine .....	11
	Printable area .....	12
	Acceptable paper and other print media .....	13
	Recommended print media .....	13
	Handling and using print media .....	14
	Choosing the right media .....	15
	Loading documents .....	17
	Using the ADF .....	17
	Using the scanner glass .....	17
	Scannable area .....	18
<b>3</b>	<b>General setup</b>	<b>19</b>
	On/Off key .....	19
	Turning the machine off .....	19
	Turning the machine on .....	19
	Power Off setting .....	19
	Mode Timer .....	20
	Paper settings .....	20
	Paper Type .....	20
	Paper Size .....	20
	Volume Settings .....	21
	Ring Volume .....	21
	Beeper Volume .....	21
	Speaker Volume .....	21
	Automatic Daylight Savings Time .....	22
	LCD display .....	22
	LCD Contrast .....	22
	Sleep Mode .....	22

---

## **4 Security features 23**

---

TX Lock.....	23
Setting and changing the TX Lock password .....	23
Turning TX Lock on/off .....	24

## **Section II Fax**

---

## **5 Sending a Fax 26**

---

Entering Fax mode .....	26
Faxing from the ADF .....	26
Faxing from the scanner glass .....	26
Faxing A4 size documents from the scanner glass .....	27
Color fax transmission .....	27
Canceling a fax in progress .....	27
Broadcasting (Black & White only) .....	27
Canceling a Broadcast in progress.....	28
Additional sending operations.....	28
Sending faxes using multiple settings .....	28
Contrast .....	29
Changing fax resolution.....	29
Dual access (Black & White only).....	30
Real time transmission .....	30
Overseas Mode .....	31
Checking and canceling waiting jobs.....	31
Sending a fax manually .....	31
Sending a fax at the end of a conversation .....	32
Out of Memory message .....	32

---

## **6 Receiving a Fax 33**

---

Choose the correct Receive Mode .....	33
Choosing the Receive Mode .....	33
Using receive modes .....	35
Fax only .....	35
Fax/Tel.....	35
Manual.....	35
External TAD .....	35
Receive mode settings .....	36
Ring Delay .....	36
F/T Ring Time (Fax/Tel mode only).....	36
Easy Receive.....	37
Additional receiving operations.....	37
Printing a reduced incoming fax .....	37
Receiving a fax at the end of a conversation.....	37
Receiving faxes into memory when the paper tray is empty (Black & White only) .....	38

---

## **7 Telephone Services and External devices 39**

---

Voice Operations .....	39
Tone or pulse (Canada only) .....	39
Fax/Tel mode when the power key is on .....	39
Fax/Tel mode when the power key is off .....	39
Telephone services.....	40
Voice Mail .....	40
Distinctive Ring .....	41
Caller ID .....	43
Connecting an external TAD (telephone answering device).....	44
Connections.....	45
Recording an outgoing message (OGM) on an external TAD .....	45
Special line considerations .....	46
Multi-line connections (PBX) .....	47
External and extension telephones.....	48
Connecting an external or extension telephone .....	48
Using external and extension telephones.....	48
Using a non-Brother cordless external telephone .....	49
Using remote codes.....	49

---

## **8 Dialing and storing numbers 50**

---

How to Dial .....	50
Manual dialing .....	50
Speed Dialing .....	50
Search .....	50
Fax Redial .....	50
Storing numbers .....	51
Storing a pause .....	51
Storing Speed Dial numbers.....	51
Changing Speed Dial numbers.....	51
Setting up groups for broadcasting.....	52
Dialing access codes and credit card numbers .....	52

---

## **9 Printing Reports 53**

---

Fax reports.....	53
Transmission Verification Report.....	53
Fax Journal (activity report) .....	53
Reports .....	54
How to print a report .....	54

## Section III Copy

<b>10</b>	<b>Making copies</b>	<b>56</b>
	How to copy .....	56
	Entering Copy mode .....	56
	Making a single copy .....	56
	Making multiple copies .....	56
	Stop copying .....	56
	Copy options .....	57
	Changing copy quality .....	58
	Enlarging or reducing the image copied .....	58
	Making N in 1 copies or a poster (Page Layout) .....	59
	Sorting copies using the ADF (Black & White only) .....	61
	Adjusting Brightness and Contrast .....	61
	Paper options .....	62

## Section IV Walk-up Photo Printing

<b>11</b>	<b>PhotoCapture Center<sup>®</sup>: Printing photos from a memory card or USB Flash memory drive</b>	<b>64</b>
	PhotoCapture Center <sup>®</sup> Operations .....	64
	Printing from a memory card or USB Flash memory drive without a PC .....	64
	Scanning to a memory card or USB Flash memory drive without a PC .....	64
	Using PhotoCapture Center <sup>®</sup> from your computer .....	64
	Using a memory card or USB Flash memory drive .....	64
	Memory cards or a USB Flash memory drive folder structure .....	65
	Getting started .....	66
	How to print from a memory card or USB Flash memory drive .....	67
	Print Index (Thumbnails) .....	67
	Printing Photos .....	68
	DPOF printing .....	69
	PhotoCapture Center <sup>®</sup> print settings .....	70
	Print quality .....	70
	Paper Options .....	70
	Adjusting Brightness and Contrast and Color .....	71
	Cropping .....	71
	Borderless printing .....	72
	Print Date .....	72
	Scan to a memory card or USB Flash memory drive .....	72
	Changing the image quality .....	73
	Changing the black & white file format .....	73
	Changing the color file format .....	73
	Understanding the Error Messages .....	74

<b>12</b>	<b>Printing photos from a camera</b>	<b>75</b>
	Printing photos directly from a PictBridge camera.....	75
	PictBridge requirements .....	75
	Setting your digital camera .....	75
	Printing Images.....	76
	DPOF printing.....	76
	Printing photos directly from a digital camera (without PictBridge).....	77
	Printing Images.....	77
	Understanding the Error Messages .....	78

## Section V Software

<b>13</b>	<b>Software features</b>	<b>80</b>
-----------	--------------------------	-----------

## Section VI Appendixes

<b>A</b>	<b>Safety and Legal</b>	<b>82</b>
	Choosing a location .....	82
	To use the machine safely.....	83
	Important safety instructions.....	88
	Standard telephone and FCC Notices (These notices are in effect on models sold and used in the United States only.) .....	89
	Federal Communications Commission (FCC) Declaration of Conformity (USA only) .....	90
	Industry Canada Compliance Statement (Canada only) .....	91
	International ENERGY STAR® Compliance Statement .....	91
	Legal limitations for copying .....	92
	Trademarks.....	93

<b>B</b>	<b>Troubleshooting and Routine Maintenance</b>	<b>94</b>
	Troubleshooting .....	94
	If you are having difficulty with your machine .....	94
	Dial Tone .....	100
	Telephone line interference .....	100
	Error and maintenance messages .....	101
	Transferring your faxes or Fax Journal report .....	106
	Document jam .....	106
	Printer jam or paper jam .....	107
	Routine maintenance .....	110
	Replacing the ink cartridges .....	110
	Cleaning the outside of the machine .....	112
	Cleaning the scanner .....	113
	Cleaning the machine printer platen .....	114
	Cleaning the paper pick-up roller .....	114
	Cleaning the print head .....	115
	Checking the print quality .....	115
	Checking the print alignment .....	116
	Checking the ink volume .....	117
	Machine Information .....	117
	Checking the serial number .....	117
	Packing and shipping the machine .....	118
<b>C</b>	<b>Menu and Features</b>	<b>120</b>
	On-screen programming .....	120
	Menu table .....	120
	Memory storage .....	120
	Menu keys .....	120
	Menu Table .....	122
	Entering Text .....	129
<b>D</b>	<b>Specifications</b>	<b>130</b>
	General .....	130
	Print media .....	132
	Fax .....	133
	Copy .....	135
	PhotoCapture Center® .....	136
	PictBridge .....	137
	Scanner .....	138
	Printer .....	139
	Interfaces .....	140
	Computer requirements .....	141
	Consumable items .....	142
<b>E</b>	<b>Glossary</b>	<b>143</b>
<b>F</b>	<b>Index</b>	<b>147</b>



# General

---

<b>General Information</b>	<b>2</b>
<b>Loading paper and documents</b>	<b>8</b>
<b>General setup</b>	<b>19</b>
<b>Security features</b>	<b>23</b>

## Using the documentation

Thank you for buying a Brother machine! Reading the documentation will help you make the most of your machine.

### Symbols and conventions used in the documentation

---

The following symbols and conventions are used throughout the documentation.

<b>Bold</b>	Bold typeface identifies specific keys on the machine's control panel.
<i>Italics</i>	Italicized typeface emphasizes an important point or refers you to a related topic.
Courier New	Text in Courier New font identifies messages on the LCD of the machine.



Warnings tell you what to do to prevent possible personal injury.



Cautions specify procedures you must follow or avoid to prevent possible damage to the machine or other objects.



Electrical Hazard icons alert you to possible electrical shock.



Notes tell you how you should respond to a situation that may arise or give tips about how the operation works with other features.



Improper Setup icons alert you to devices and operations that are not compatible with the machine.

## Accessing the Software User's Guide

This User's Guide does not contain all the information about the machine such as how to use Printer, Scanner and PC Fax. When you are ready to learn detailed information about these operations, read the **Software User's Guide** that is on the CD-ROM.

### Viewing Documentation

---

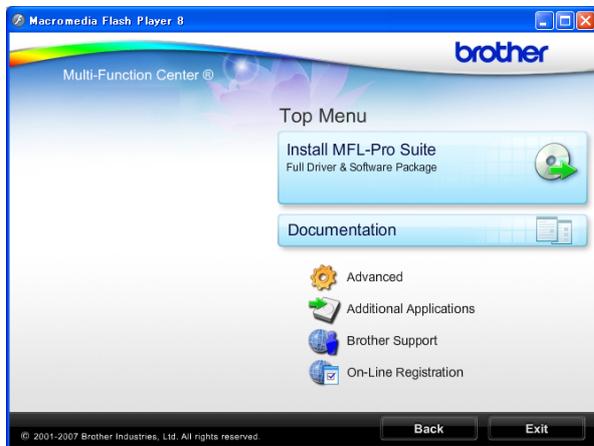
#### Viewing Documentation (For Windows®)

To view the documentation, from the **Start** menu, point to **Brother, MFC-XXXX** (where XXXX is your model name) from the programs group, and then choose **User's Guides in HTML format**.

If you have not installed the software, you can find the documentation by following the instructions below:

- 1 Turn on your PC. Insert the Brother CD-ROM into your CD-ROM drive.
- 2 If the model name screen appears, click your model name.

- 3 If the language screen appears, click your language. The CD-ROM Main Menu will appear.



### Note

If this window does not appear, use Windows® Explorer to run the start.exe program from the root directory of the Brother CD-ROM.

- 4 Click **Documentation**.
- 5 Click the documentation you want to read.

- **HTML documents: Software User's Guide** in HTML format.  
This format is recommended for viewing on your computer.
- **PDF documents: User's Guide** for stand-alone operations and **Software User's Guide** in PDF format.  
This format is recommended for printing the manuals. Click to go to the Brother Solution Center, where you can view or download the PDF documents. (Internet access and PDF Reader software are required.)

## How to find Scanning instructions

There are several ways you can scan documents. You can find the instructions as follows:

### Software User's Guide

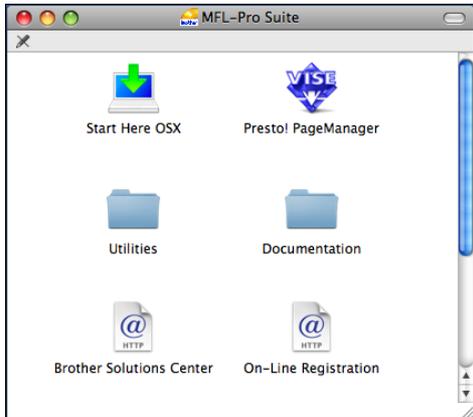
- **Scanning** (For Windows® 2000 Professional/Windows® XP and Windows Vista®)
- **Control/Center3** (For Windows® 2000 Professional/Windows® XP and Windows Vista®)

### ScanSoft™ PaperPort™ 11SE with OCR How-to-Guides

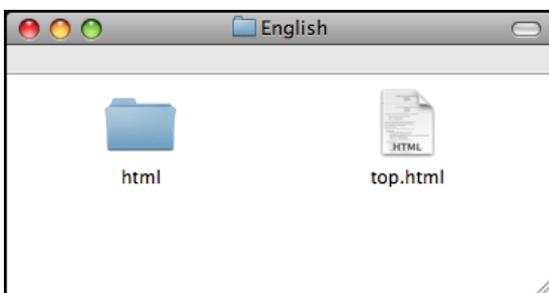
- The complete ScanSoft™ PaperPort™ 11SE with OCR How-to-Guides can be viewed from the Help selection in the ScanSoft™ PaperPort™ 11SE application.

## Viewing Documentation (For Macintosh®)

- 1 Turn on your Macintosh®. Insert the Brother CD-ROM into your CD-ROM drive. The following window will appear.



- 2 Double-click the **Documentation** icon.
- 3 Double-click your language folder.
- 4 Double-click the top.html file to view the **Software User's Guide** in HTML format.



- 5 Click the documentation you want to read.
  - **Software User's Guide**

## How to find Scanning instructions

There are several ways you can scan documents. You can find the instructions as follows:

### Software User's Guide

- *Scanning* (For Mac OS® X 10.2.4 or greater)
- *ControlCenter2* (For Mac OS® X 10.2.4 or greater)

### Presto!® PageManager® User's Guide

- The complete Presto!® PageManager® User's Guide can be viewed from the Help selection in the Presto!® PageManager® application.

## Accessing Brother Support (For Windows®)

You can find all the contacts you will need, such as Web support (Brother Solutions Center), Customer Service and Brother Authorized Service Centers in *Brother numbers* on page i and on the Brother CD-ROM.

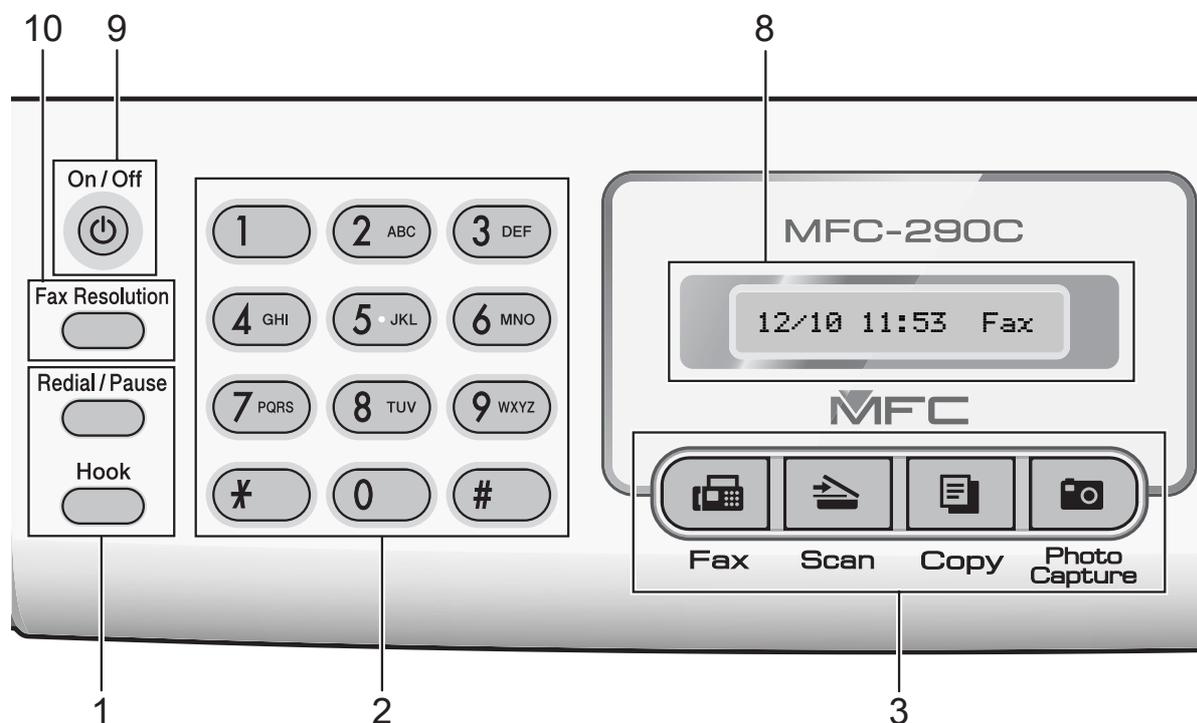
- Click **Brother Support** on the main menu. The following screen will appear:



- To access our web site ([www.brother.com](http://www.brother.com)), click **Brother Home Page**.
- To view all Brother Numbers, including Customer Service numbers for the USA and Canada, click **Support Information**.
- To access the USA Brother online shopping mall ([www.brothermall.com](http://www.brothermall.com)) for additional product and services information, click **Brother Mall.com**.
- To access Canada's Brother online shopping mall ([www.brother.ca](http://www.brother.ca)) for additional product and services information, click **Shop Online (Canada)**.
- For the latest news and product support information (<http://solutions.brother.com>), click **Brother Solutions Center**.

- To visit our web site for original/genuine Brother supplies (<http://www.brother.com/original/>), click **Supplies Information**.
- To access the Brother CreativeCenter (<http://www.brother.com/creativecenter/>) for FREE photo projects and printable downloads, click **Brother CreativeCenter**.
- To return to the main page, click **Back** or if you have finished, click **Exit**.

## Control panel overview



### 1 Fax keys:

#### ■ Redial/Pause

Redials the last number called. It also inserts a pause when programming quick dial numbers.

#### ■ Hook

Press before dialing if you want to make sure a fax machine will answer, and then press **Black Start** or **Color Start**.

Also, press this key after picking up the handset of an external telephone during the F/T pseudo/double-ring.

### 2 Dial Pad

Use these keys to dial telephone and fax numbers and as a keyboard for entering information into the machine.

(Canada only) The # key lets you temporarily switch the dialing mode during a telephone call from Pulse to Tone.

### 3 Mode keys:

#### ■ Fax

Lets you access Fax mode.

#### ■ Scan

Lets you access Scan mode.

#### ■ Copy

Lets you access Copy mode.

#### ■ Photo Capture

Lets you access PhotoCapture Center® mode.

### 4 Menu keys:

#### ■ Menu

Lets you access the main menu to program the machine.

#### ■ Speed Dial key



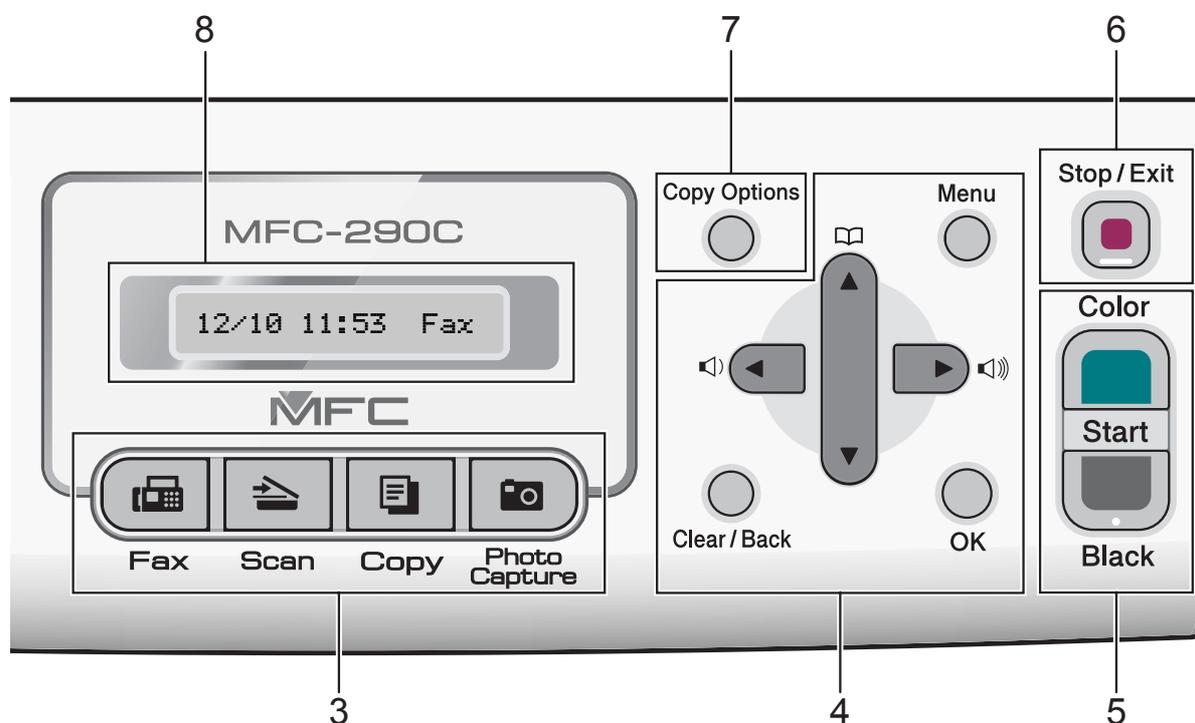
Press to store Speed Dial and Group numbers in the machine's memory.

Lets you store, look up, and dial numbers in the memory.

#### ■ Volume keys



When the machine is idle, you can press these keys to adjust the ring volume.



Press to scroll backward to a menu selection.



Press to scroll through the menus and options.

■ **Clear/Back**

Press to cancel the current setting.

■ **OK**

Lets you choose a setting.

**5 Start keys:**

■  **Color Start**

Lets you start sending faxes or making copies in full color. Also lets you start a scanning operation (in color or black & white, depending on the scanning setting in the ControlCenter software).

■  **Black Start**

Lets you start sending faxes or making copies in black & white. Also lets you start a scanning operation (in color or black & white, depending on the scanning setting in the ControlCenter software).

**6**  **Stop/Exit**

Stops an operation or exits from a menu.

**7 Copy Options**

Lets you temporarily change the copy settings when in copy mode.

**8 LCD (liquid crystal display)**

Displays messages on the screen to help you set up and use your machine.

**9 On/Off**

You can turn the machine on and off. The On/Off key can be customized by changing the Power Off setting.

**10 Fax Resolution**

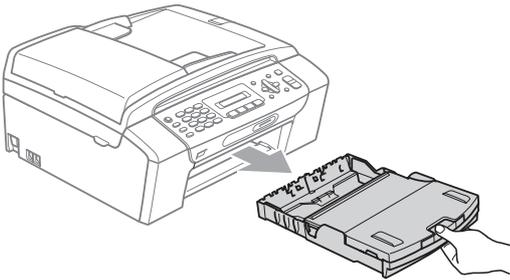
Lets you temporarily change the resolution when sending a fax.

# 2

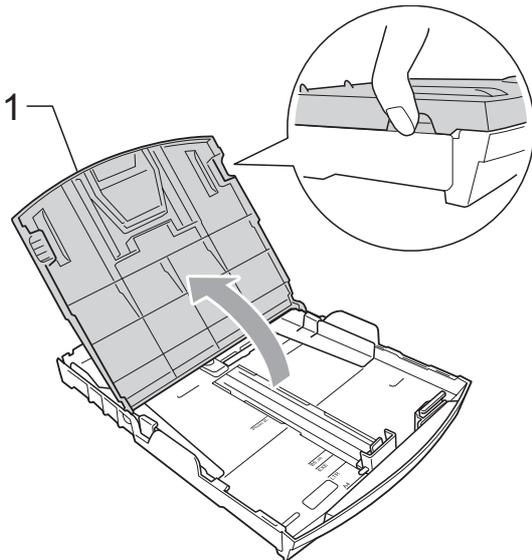
## Loading paper and documents

### Loading paper and other print media

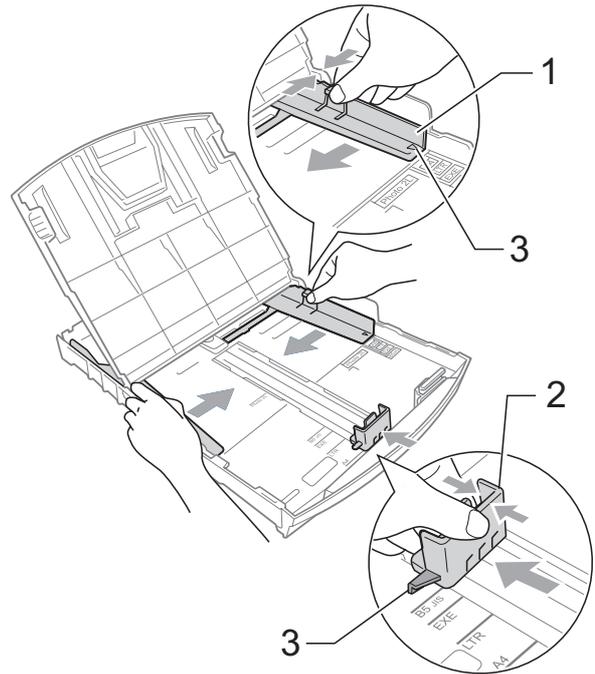
- 1 If the paper support flap is open, close it, and then pull the paper tray completely out of the machine.



- 2 Lift the paper tray cover (1).

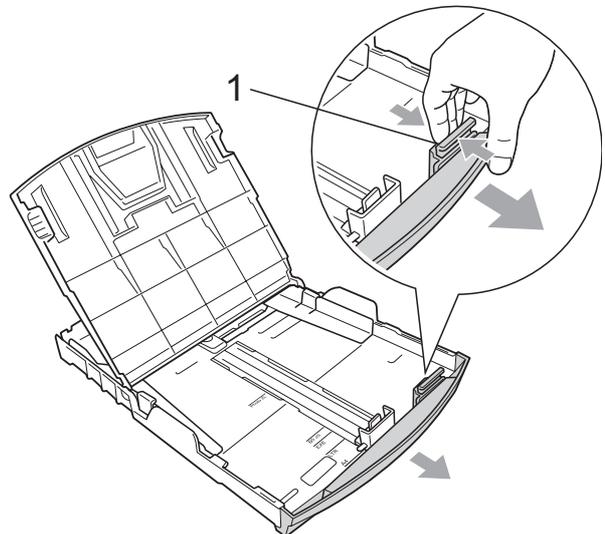


- 3 With both hands, gently press and slide the paper side guides (1) and then the paper length guide (2) to fit the paper size. Make sure that the triangular marks (3) on the paper side guides (1) and paper length guide (2) line up with the mark for the paper size you are using.

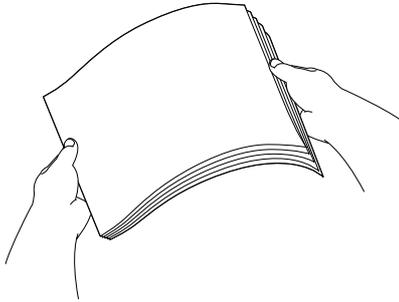


#### Note

When you use Legal size paper, press and hold the universal guide release button (1) as you slide out the front of the paper tray.

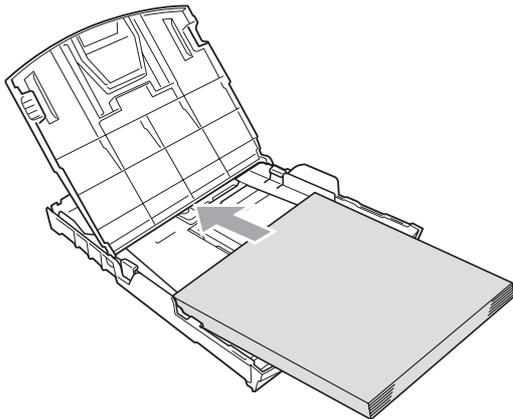


- 4 Fan the stack of paper well to avoid paper jams and misfeeds.

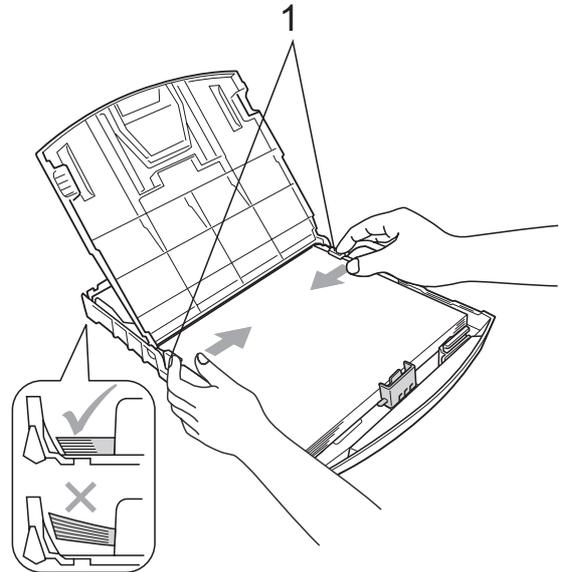


**Note**  
Always make sure the paper is not curled.

- 5 Gently put the paper into the paper tray print side down and top edge in first. Check that the paper is flat in the tray.

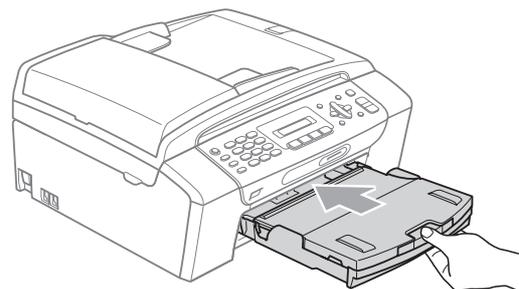


- 6 Gently adjust the paper side guides (1) to fit the paper with both hands. Make sure the paper side guides touch the sides of the paper.

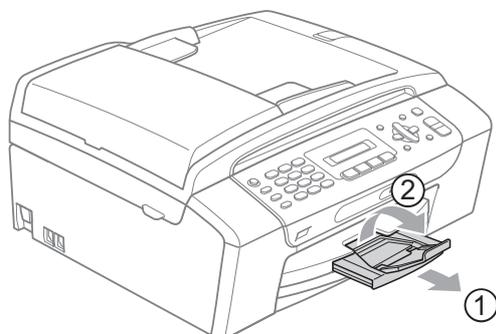


**Note**  
Be careful that you do not push the paper in too far; it may lift at the back of the tray and cause feed problems.

- 7 Close the paper tray cover.
- 8 Slowly push the paper tray completely into the machine.



- 9 While holding the paper tray in place, pull out the paper support (1) until it clicks and unfold the paper support flap (2).



**Note**

Do not use the paper support flap for Legal paper.

## Loading envelopes and post cards

### About envelopes

- Use envelopes that weigh from 20 to 25 lb (80 to 95 g/m<sup>2</sup>).
- Some envelopes need margin settings to be set in the application. Make sure you do a test print first before printing many envelopes.

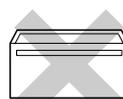


**CAUTION**

DO NOT use any of the following types of envelopes, as they will cause paper feed problems:

- That are of a baggy construction.
- That are embossed (have raised writing on them).
- That have clasps or staples.
- That are pre-printed on the inside.

**Glue**



**Double flap**



Occasionally you may experience paper feed problems caused by the thickness, size and flap shape of the envelopes you are using.

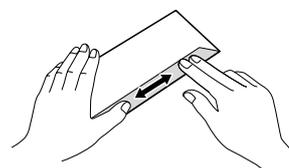
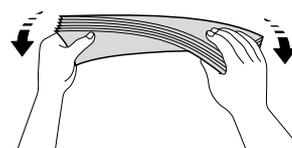
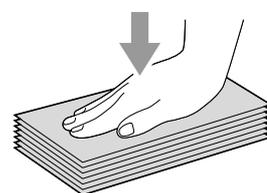
### How to load envelopes and post cards

- 1 Before loading, press the corners and sides of envelopes or post cards to make them as flat as possible.

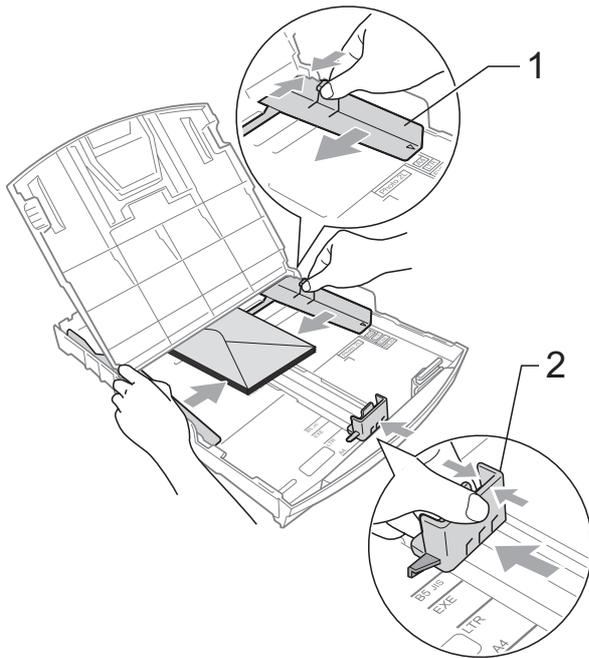


**Note**

If envelopes or post cards are 'double-feeding', put one envelope or post card in the paper tray at a time.

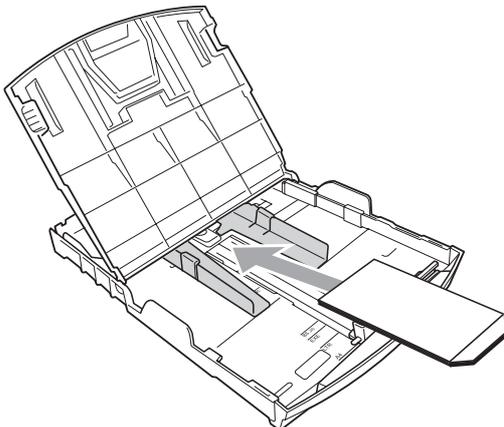


- Put envelopes or post cards into the paper tray with the address side down and the leading edge in first as shown in the illustration. With both hands, gently press and slide the paper side guides (1) and paper length guide (2) to fit the size of the envelopes or post cards.



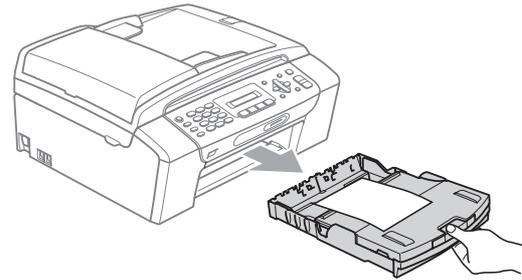
**If you have problems when printing on envelopes, try the following suggestions:**

- Open the envelope flap.
- Make sure the open flap is either to the side of the envelope or to the back edge of the envelope when printing.
- Adjust the size and margin in your application.



## Removing small printouts from the machine

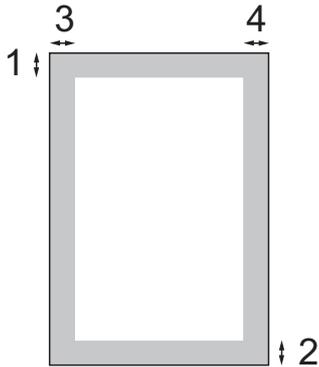
When the machine ejects small paper onto the output paper tray you may not be able to reach it. Make sure printing has finished, and then pull the tray completely out of the machine.



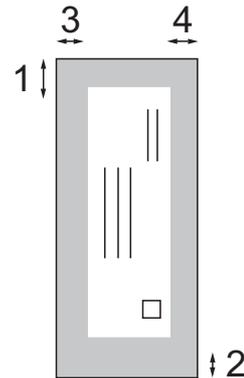
## Printable area

The printable area depends on the settings in the application you are using. The figures below show the unprintable areas on cut sheet paper and envelopes. The machine can only print in the shaded areas when the Borderless print feature is available and turned on.

### Cut Sheet Paper



### Envelopes



	Top (1)	Bottom (2)	Left (3)	Right (4)
Cut Sheet	0.12 in. (3 mm)	0.12 in. (3 mm)	0.12 in. (3 mm)	0.12 in. (3 mm)
Envelopes	0.47 in. (12 mm)	0.95 in. (24 mm)	0.12 in. (3 mm)	0.12 in. (3 mm)



### Note

The Borderless feature is not available for envelopes.

## Acceptable paper and other print media

The print quality can be affected by the type of paper you are using in the machine.

To get the best print quality for the settings you have chosen, always set the Paper Type to match the type of paper you load.

You can use plain paper, inkjet paper (coated paper), glossy paper, transparencies and envelopes.

We recommend testing various paper types before buying large quantities.

For best results, use Brother paper.

- When you print on inkjet paper (coated paper), transparencies and photo paper, be sure to choose the proper print media in the '**Basic**' tab of the printer driver or in the Paper Type setting of the machine's menu (See *Paper Type* on page 20).
- When you print on Brother Photo paper, load one extra sheet of the same photo paper in the paper tray. An extra sheet has been included in the paper package for this purpose.
- When you use transparencies or photo paper, remove each sheet at once to prevent smudging or paper jams.
- Avoid touching the printed surface of the paper immediately after printing; the surface may not be completely dry and may stain your fingers.

## Recommended print media

To get the best print quality, we suggest using Brother paper. (See table below.)

We recommend using '3M Transparency Film' when you print on transparencies.

### Brother paper

Paper Type	Item
Letter Plain	BP60PL100 (USA only)
Letter Glossy Photo	BP71GLTR
Letter Inkjet (Matte)	BP60ML (USA only)
4 × 6 in. Glossy Photo	BP71GP

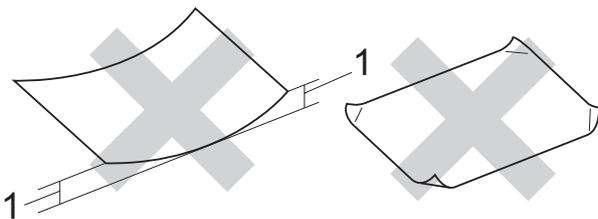
## Handling and using print media

- Store paper in its original packaging, and keep it sealed. Keep the paper flat and away from moisture, direct sunlight and heat.
- Avoid touching the shiny (coated) side of photo paper. Load photo paper with the shiny side facing down.
- Avoid touching either side of transparencies because they absorb water and perspiration easily, and this may cause decreased output quality. Transparencies designed for laser printers/copiers may stain your next document. Use only transparencies recommended for inkjet printing.
- You can only print on both sides of the paper with PC printing. (See *Printing* for Windows® in the Software User's Guide on the CD-ROM).

### Improper Setup

DO NOT use the following kinds of paper:

- Damaged, curled, wrinkled, or irregularly shaped paper



#### **1 0.08 in. (2 mm) or greater**

- Extremely shiny or highly textured paper
- Paper that cannot be arranged uniformly when stacked
- Paper made with a short grain

## Paper capacity of the output paper tray

Up to 50 sheets of Letter, Legal or A4 20 lb (80 g/m<sup>2</sup>) paper.

- Transparencies and photo paper must be picked up from the output paper tray one page at a time to avoid smudging.

## Choosing the right media

### Paper type and size for each operation

Paper Type	Paper Size		Usage			
			Fax	Copy	Photo Capture	Printer
Cut Sheet	Letter	8 1/2 × 11 in. (215.9 × 279.4 mm)	Yes	Yes	Yes	Yes
	A4	8.3 × 11.7 in. (210 × 297 mm)	Yes	Yes	Yes	Yes
	Legal	8 1/2 × 14 in. (215.9 × 355.6 mm)	Yes	Yes	–	Yes
	Executive	7 1/4 × 10 1/2 in. (184 × 267 mm)	–	–	–	Yes
	JIS B5	7.2 × 10.1 in. (182 × 257 mm)	–	–	–	Yes
	A5	5.8 × 8.3 in. (148 × 210 mm)	–	Yes	–	Yes
	A6	4.1 × 5.8 in. (105 × 148 mm)	–	–	–	Yes
Cards	Photo	4 × 6 in. (10 × 15 cm)	–	Yes	Yes	Yes
	Photo 2L	5 × 7 in. (13 × 18 cm)	–	–	Yes	Yes
	Index Card	5 × 8 in. (127 × 203 mm)	–	–	–	Yes
	Post Card 1	3.9 × 5.8 in. (100 × 148 mm)	–	–	–	Yes
	Post Card 2 (Double)	5.8 × 7.9 in. (148 × 200 mm)	–	–	–	Yes
Envelopes	C5 Envelope	6.4 × 9 in. (162 × 229 mm)	–	–	–	Yes
	DL Envelope	4.3 × 8.7 in. (110 × 220 mm)	–	–	–	Yes
	COM-10	4 1/8 × 9 1/2 in. (105 × 241 mm)	–	–	–	Yes
	Monarch	3 7/8 × 7 1/2 in. (98 × 191 mm)	–	–	–	Yes
	JE4 Envelope	4.1 × 9.3 in. (105 × 235 mm)	–	–	–	Yes
Transparencies	Letter	8 1/2 × 11 in. (215.9 × 279.4 mm)	–	Yes	–	Yes
	A4	8.3 × 11.7 in. (210 × 297 mm)	–	Yes	–	Yes

## Paper weight, thickness and capacity

Paper Type		Weight	Thickness	No. of sheets
Cut Sheet	Plain Paper	17 to 32 lb (64 to 120 g/m <sup>2</sup> )	3 to 6 mil (0.08 to 0.15 mm)	100 <sup>1</sup>
	Inkjet Paper	17 to 53 lb (64 to 200 g/m <sup>2</sup> )	3 to 10 mil (0.08 to 0.25 mm)	20
	Glossy Paper	Up to 58 lb (Up to 220 g/m <sup>2</sup> )	Up to 10 mil (Up to 0.25 mm)	20
Cards	Photo 4" × 6"	Up to 58 lb (Up to 220 g/m <sup>2</sup> )	Up to 10 mil (Up to 0.28 mm)	20
	Index Card	Up to 32 lb (Up to 120 g/m <sup>2</sup> )	Up to 6 mil (Up to 0.15 mm)	30
	Post Card	Up to 53 lb (Up to 200 g/m <sup>2</sup> )	Up to 10 mil (Up to 0.25 mm)	30
Envelopes		20 to 25 lb (75 to 95 g/m <sup>2</sup> )	Up to 20 mil (Up to 0.52 mm)	10
Transparencies		–	–	10

<sup>1</sup> Up to 100 sheets of plain paper 20 lb (80 g/m<sup>2</sup>).

## Loading documents

You can send a fax, make copies, and scan from the ADF (automatic document feeder) and from the scanner glass.

### Using the ADF

The ADF can hold up to 15 pages and feeds each sheet individually. Use standard 20 lb (80 g/m<sup>2</sup>) paper and always fan the pages before putting them in the ADF.

### Recommended environment

Temperature:	68 to 86° F (20 to 30° C)
Humidity:	50% to 70%
Paper:	20 lb LTR (80 g/m <sup>2</sup> A4)

### Document Sizes Supported

Length:	5.8 to 14 in. (148 to 355.6 mm)
Width:	5.8 to 8.5 in. (148 to 215.9 mm)
Weight:	17 to 24 lb (64 to 90 g/m <sup>2</sup> )

### How to load documents

#### ! CAUTION

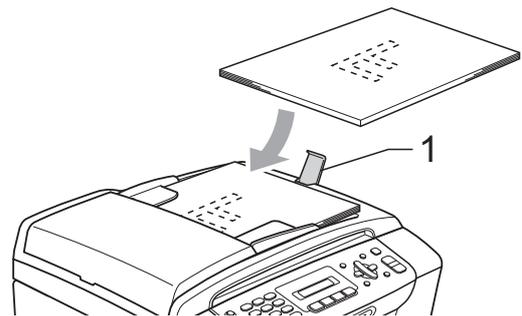
DO NOT pull on the document while it is feeding.

DO NOT use paper that is curled, wrinkled, folded, ripped, stapled, paper clipped, pasted or taped.

DO NOT use cardboard, newspaper or fabric.

- Make sure documents written with ink are completely dry.

- 1 Unfold the ADF Document Output Support Flap (1).
- 2 Fan the pages well. Make sure you place the documents **face down, top edge first** in the ADF until you feel them touch the feed roller.
- 3 Adjust the paper guides to fit the width of your documents.



#### ! CAUTION

DO NOT leave a thick document on the scanner glass. If you do this, the ADF may jam.

## Using the scanner glass

You can use the scanner glass to fax, copy or scan pages of a book or one page at a time.

### Document Sizes Supported

Length:	Up to 11.7 in. (297 mm)
Width:	Up to 8.5 in. (215.9 mm)
Weight:	Up to 4.4 lb (2 kg)

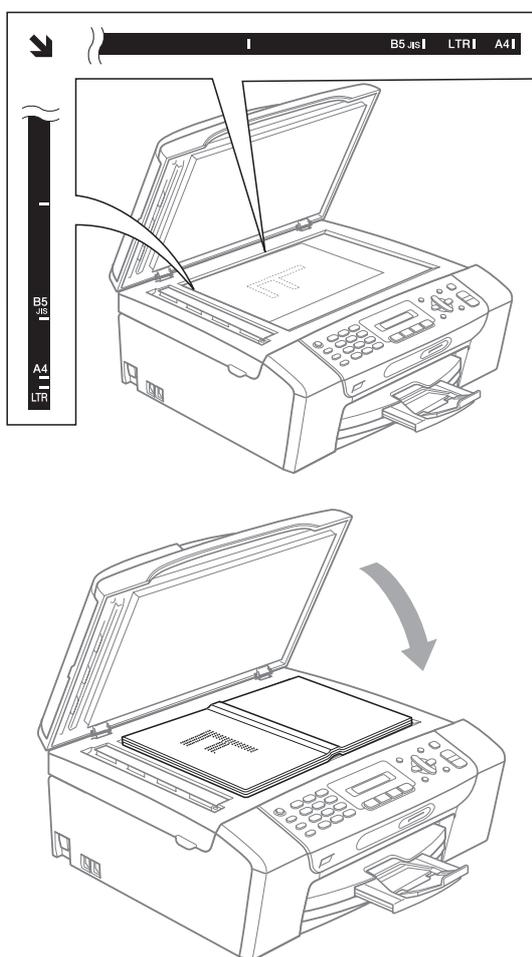
## How to load documents



### Note

To use the scanner glass, the ADF must be empty.

- 1 Lift the document cover.
- 2 Using the document guidelines on the left and top, place the document in the upper left hand corner, with the document face down on the scanner glass.



- 3 Close the document cover.

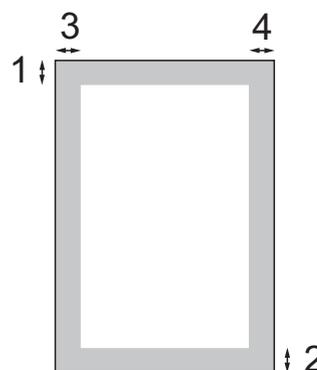


### CAUTION

If you are scanning a book or thick document, DO NOT slam the cover or press on it.

## Scannable area

The scannable area depends on the settings in the application you are using. The figures below show the unscannable areas.



Usage	Document Size	Top (1) Bottom (2)	Left (3) Right (4)
Fax	Letter	0.12 in. (3 mm)	0.16 in. (4 mm)
	A4	0.12 in. (3 mm)	(Flat Bed) 0.12 in. (3 mm) (ADF) 0.04 in. (1 mm)
Copy	All paper sizes	0.12 in. (3 mm)	0.12 in. (3 mm)
Scan	All paper sizes	0.12 in. (3 mm)	0.12 in. (3 mm)

## On/Off key

You can turn the machine on and off by pressing the **On/Off** key.



### Note

- If you press the **On/Off** key while the machine is in use it will finish the operation before going into the Off mode.
- If you have connected an external telephone or TAD, it is always available.

## Turning the machine off

- 1 Press and hold down the **On/Off** key. The LCD will show *Shutting Down*. The LCD will stay on for a few seconds before going off.

## Turning the machine on

- 1 Press the **On/Off** key.

## Power Off setting

You can customize the machine's **On/Off** key. The default setting is `Fax Receive:Off`. Your machine will not work when it is switched off, but it will clean the print head periodically. The external TAD or telephone will always work. If you turn this setting to `Fax Receive:On`, you can receive faxes or calls even when the machine is switched off. (See *On/Off key* on page 19.)

- 1 Press **Menu, 1, 6**.
- 2 Press **▲** or **▼** to choose `Fax Receive:On`, or `Fax Receive:Off`. Press **OK**.
- 3 Press **Stop/Exit**.

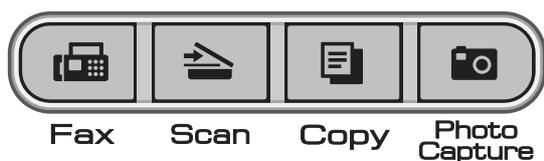
On/Off setting	Receive mode	Available operations
Fax Receive: Off (factory setting)	—	No machine operations will be available.
Fax Receive: On <sup>1</sup>	Fax Only External TAD	Fax Receive Easy Receive
	Manual Fax/Tel <sup>2</sup>	Easy Receive

<sup>1</sup> You cannot receive a fax with **Black Start** or **Color Start**.

<sup>2</sup> You cannot receive a fax automatically if you have set the receive mode to `Fax/Tel`.

## Mode Timer

The machine has four temporary mode keys on the control panel: **Fax**, **Scan**, **Copy** and **Photo Capture**. You can change the amount of time the machine takes after the last Scan, Copy or PhotoCapture operation before it returns to Fax mode. If you choose **Off**, the machine stays in the mode you used last.



- 1 Press **Menu**, 1, 1.
- 2 Press **▲** or **▼** to choose 0 Sec, 30 Secs, 1 Min, 2 Mins, 5 Mins or Off. Press **OK**.
- 3 Press **Stop/Exit**.

## Paper settings

### Paper Type

To get the best print quality, set the machine for the type of paper you are using.

- 1 Press **Menu**, 1, 2.
- 2 Press **▲** or **▼** to choose Plain Paper, Inkjet Paper, Brother BP71, Other Glossy or Transparency. Press **OK**.
- 3 Press **Stop/Exit**.



#### Note

The machine ejects paper with printed surfaces face up onto the paper tray in front of the machine. When you use transparencies or glossy paper, remove each sheet at once to prevent smudging or paper jams.

### Paper Size

You can use five sizes of paper for printing and copying: Letter, Legal, A4, A5, and 4 × 6 in. (10 × 15 cm) and three sizes for printing faxes: Letter, Legal and A4. When you change the size of paper you load in the machine, you will need to change the paper size setting at the same time so your machine can fit an incoming fax on the page.

- 1 Press **Menu**, 1, 3.
- 2 Press **▲** or **▼** to choose Letter, Legal, A4, A5 or 4"×6". Press **OK**.
- 3 Press **Stop/Exit**.

## Volume Settings

### Ring Volume

You can choose a range of ring volume levels, from **High** to **Off**.

While the machine is idle, press  ◀ or ▶  to adjust the volume level. The LCD shows the current setting, and each key press will change the volume to the next level. The machine will keep the new setting until you change it.

You can also change the volume through the menu, by following the instructions below:

#### Setting the Ring Volume from the menu

- 1 Press **Menu**, **1**, **4**, **1**.
- 2 Press ▲ or ▼ to choose **Low**, **Med**, **High** or **Off**.  
Press **OK**.
- 3 Press **Stop/Exit**.

### Beeper Volume

When the beeper is on, the machine will beep when you press a key, make a mistake or after you send or receive a fax.

You can choose a range of volume levels, from **High** to **Off**.

- 1 Press **Menu**, **1**, **4**, **2**.
- 2 Press ▲ or ▼ to choose **Low**, **Med**, **High** or **Off**.  
Press **OK**.
- 3 Press **Stop/Exit**.

### Speaker Volume

You can choose a range of speaker volume levels, from **High** to **Off**.

- 1 Press **Menu**, **1**, **4**, **3**.
- 2 Press ▲ or ▼ to choose **Low**, **Med**, **High** or **Off**.  
Press **OK**.
- 3 Press **Stop/Exit**.

You can also adjust the speaker volume by pressing **Hook**.

- 1 Press **Hook**.
- 2 Press  ◀ or ▶ .  
This setting will stay until you change it again.
- 3 Press **Hook**.

## Automatic Daylight Savings Time

You can set the machine to change automatically for daylight savings time. It will reset itself forward one hour in the Spring and backward one hour in the Fall. Make sure you have set the correct date and time in the `Date&Time` setting.

The factory setting is `Off`, so you will have to turn on Automatic Daylight Time as follows.

- 1 Press **Menu, 1, 5**.
- 2 Press **▲** or **▼** to choose `On` or `Off`. Press **OK**.
- 3 Press **Stop/Exit**.

## LCD display

### LCD Contrast

---

You can adjust the LCD contrast for a sharper and more vivid display. If you are having difficulty reading the LCD, try changing the contrast setting.

- 1 Press **Menu, 1, 7**.
- 2 Press **▲** or **▼** to choose `Light` or `Dark`. Press **OK**.
- 3 Press **Stop/Exit**.

## Sleep Mode

You can choose how long the machine must be idle (from 1 to 60 minutes) before it goes into sleep mode. The timer will restart if any operation is carried out on the machine. The default setting is 10 minutes.

- 1 Press **Menu, 1, 8**.
- 2 Press **▲** or **▼** to choose `1Min`, `2Mins`, `3Mins`, `5Mins`, `10Mins`, `30Mins` or `60Mins`, which is the length of time the machine is idle before entering sleep mode. Press **OK**.
- 3 Press **Stop/Exit**.

## TX Lock

TX Lock lets you prevent unauthorized access to the machine.

While TX Lock is On, the following operations are available:

- Receiving faxes

While TX Lock is On, the following operations are NOT available:

- Sending faxes
- Copying
- PC printing
- Scanning
- PhotoCapture
- Operation from Control panel



### Note

If you forget the TX Lock password, please call Brother Customer Service.

## Setting and changing the TX Lock password



### Note

If you have already set the password, you will not need to set it again.

### Setting up the password

- 1 Press **Menu**, **2**, **0**, **1**.
- 2 Enter a 4-digit number for the password. Press **OK**.
- 3 When the LCD shows *Verify:*, re-enter the password. Press **OK**.
- 4 Press **Stop/Exit**.

### Changing the password

- 1 Press **Menu**, **2**, **0**, **1**.
- 2 Press **▲** or **▼** to choose *Set Password*. Press **OK**.
- 3 Enter a 4-digit number for the current password. Press **OK**.
- 4 Enter a 4-digit number for a new password. Press **OK**.
- 5 When the LCD shows *Verify:*, re-enter the password. Press **OK**.
- 6 Press **Stop/Exit**.

## Turning TX Lock on/off

---

### Turning TX Lock on

- 1 Press **Menu**, **2**, **0**, **1**.
- 2 Press **▲** or **▼** to choose `Set TX Lock`. Press **OK**.
- 3 Enter the registered 4-digit password. Press **OK**.  
The machine goes offline and the LCD shows `TX Lock Mode`.

### Turning TX Lock off

- 1 Press **Menu**.
- 2 Enter the registered 4-digit password. Press **OK**.  
TX lock is automatically turned off.



#### Note

---

If you enter the wrong password, the LCD shows `Wrong Password` and stays offline. The machine will stay in TX Lock mode until the registered password is entered.

---



# Fax

---

<b>Sending a Fax</b>	26
<b>Receiving a Fax</b>	33
<b>Telephone Services and External devices</b>	39
<b>Dialing and storing numbers</b>	50
<b>Printing Reports</b>	53

# 5

## Sending a Fax

### Entering Fax mode

To enter fax mode, press  (**Fax**), and the key will glow green.

The LCD will show the new job number and the memory available. The number of pages you can scan into the memory will vary depending on the data that is printed on them.

### Faxing from the ADF

- 1 Make sure you are in Fax mode .
- 2 Place the document face down in the ADF.  
(See *Using the ADF* on page 17.)
- 3 Enter the fax number using the dial pad, Speed Dial or Search.
- 4 Press **Black Start** or **Color Start**.  
The machine starts scanning the document.



#### Note

- To cancel, press **Stop/Exit**.
- If you send a black & white fax when the memory is full it will be sent in real time.

### Faxing from the scanner glass

You can use the scanner glass to fax pages of a book one at a time. The document can be up to Letter or A4 size.

You cannot send color faxes with multiple pages.



#### Note

Since you can only scan one page at a time, it is easier to use the ADF if you are sending a multiple page document.

- 1 Make sure you are in Fax mode .
- 2 Load your document on the scanner glass.
- 3 Enter the fax number using the dial pad, Speed Dial or Search.
- 4 Press **Black Start** or **Color Start**.
  - If you press **Black Start**, the machine starts scanning the first page. Go to step 5.
  - If you press **Color Start**, the machine starts sending the document.
- 5 Do one of the following:
  - To send a single page, press **2** to choose **No** (or press **Black Start** again).  
The machine starts sending the document.
  - To send more than one page, press **1** to choose **Yes** and go to step 6.
- 6 Place the next page on the scanner glass. Press **OK**.  
The machine starts scanning the page. (Repeat step 5 and step 6 for each additional page.)

## Faxing A4 size documents from the scanner glass

When documents are A4 size, you need to set Scan Size to A4. If you do not, the bottom portion of the faxes will be missing.

- 1 Make sure you are in Fax mode .
- 2 Press **Menu**, **2**, **2**, **0**.
- 3 Press **▲** or **▼** to choose **A4**. Press **OK**.
- 4 Press **Stop/Exit**.

## Color fax transmission

Your machine can send a color fax to machines that support this feature.

Color faxes cannot be stored in the memory. When you send a color fax, the machine will send it in real time (even if **Real Time TX** is set to **Off**).

## Canceling a fax in progress

If you want to cancel a fax while the machine is scanning, dialing or sending, press **Stop/Exit**.

## Broadcasting (Black & White only)

Broadcasting is when the same fax message is automatically sent to more than one fax number. You can include Groups, Speed Dial numbers and up to 50 manually dialed numbers in the same broadcast.

After the broadcast is finished, a Broadcast Report will be printed.

- 1 Make sure you are in Fax mode .
- 2 Load your document.
- 3 Enter a number. Press **OK**. You can use either a Speed Dial, a Group or a manually entered number using the dial pad.
- 4 Repeat 3 until you have entered all the fax numbers to be included in the broadcast.
- 5 Press **Black Start**.



### Note

- If you have not used up any of the numbers for Groups, you can 'broadcast' faxes to as many as 90 different numbers.
- The available memory will vary depending on the types of jobs in the memory and the number of locations used for broadcasting. If you broadcast to the maximum numbers available, you will not be able to use dual access.
- If the memory is full, press **Stop/Exit** to stop the job. If more than one page has been scanned, press **Black Start** to send the portion that is in the memory.

## Canceling a Broadcast in progress

- 1 Press **Menu**, **2**, **4**.  
The LCD will show the Broadcast job number followed by the fax number (or name) being dialed (for example, #001 0123456789).
- 2 Press **OK**.  
The LCD will show the following message:
 

#001 0123456789

1.Clear 2.Exit
- 3 Press **1** to cancel the fax number being dialed.  
The LCD will then show the following messages:
 

Broadcast#001

1.Clear 2.Exit
- 4 Press **1** to cancel the Broadcast.
- 5 Press **Stop/Exit**.

## Additional sending operations

### Sending faxes using multiple settings

When you send a fax you can choose any combination of these settings: resolution, contrast, scan size, overseas mode and real time transmission.

- 1 Make sure you are in Fax mode .
- 2 Load your document.
- 3 Choose a setting you want to change in the Setup Send menu (**Menu**, **2**, **2**). Press **OK**.
- 4 Choose the option you want for the setting. Press **OK**.
- 5 Do one of the following:
 

Other Settings

1.Yes 2.No

  - Press **1** to change another setting.
  - Press **2** when you have finished choosing your settings.
- 6 Send the fax as normal.

## Contrast

If your document is very light or very dark, you may want to change the contrast.

Use **Light** when sending a light document.

Use **Dark** when sending a dark document.

- 1 Make sure you are in Fax mode .
- 2 Load your document.
- 3 Press **Menu**, **2**, **2**, **1**.
- 4 Press **▲** or **▼** to choose **Auto**, **Light** or **Dark**.  
Press **OK**.



### Note

Even if you choose **Light** or **Dark**, the machine will send the fax using the **Auto** setting in any of the following conditions:

- When you send a color fax.
- When you choose **Photo** as the Fax Resolution.

## Changing fax resolution

The quality of a fax can be improved by changing the fax resolution. Resolution can be changed for the next fax *or* for all faxes.

### To change the fax resolution for the next fax

- 1 Make sure you are in Fax mode .
- 2 Load your document.
- 3 Press **Fax Resolution** then **▲** or **▼** to choose the resolution.  
Press **OK**.

### To change the default fax resolution

- 1 Make sure you are in Fax mode .
- 2 Press **Menu**, **2**, **2**, **2**.
- 3 Press **▲** or **▼** to choose the resolution you want.  
Press **OK**.



### Note

You can choose four different resolution settings for black & white faxes and two for color.

Black & White	
Standard	Suitable for most typed documents.
Fine	Good for small print and transmits a little slower than Standard resolution.
S.Fine	Good for small print or artwork and transmits slower than Fine resolution.
Photo	Use when the document has varying shades of gray or is a photograph. This has the slowest transmission.

Color	
Standard	Suitable for most typed documents.
Fine	Use when the document is a photograph. The transmission time is slower than Standard resolution.

If you choose **S.Fine** or **Photo** and then use the **Color Start** key to send a fax, the machine will send the fax using the **Fine** setting.

## Dual access (Black & White only)

You can dial a number and start scanning the fax into memory—even when the machine is sending from memory, receiving faxes or printing PC data. The LCD shows the new job number and available memory.

The number of pages you can scan into the memory will vary depending on the data that is printed on them.



### Note

If the **Out of Memory** message appears while scanning a document, press **Stop/Exit** to cancel or **Black Start** to send the scanned pages.

## Real time transmission

When you are sending a fax, the machine will scan the document into the memory before sending. Then, as soon as the telephone line is free, the machine will start dialing and sending.

If the memory is full or you are sending a color fax, the machine will send the document in real time (even if **Real Time TX** is set to **Off**).

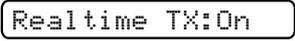
Sometimes, you may want to send an important document immediately, without waiting for memory transmission. You can set **Real Time TX** to **On** for all documents or **Next Fax Only** for the next fax only.



### Note

In Real Time Transmission, the automatic redial feature does not work when using the scanner glass.

## Sending in real time for all faxes

- 1 Make sure you are in Fax mode .
- 2 Press **Menu**, **2**, **2**, **3**.  
  

- 3 Press **▲** or **▼** to choose **Realtime TX:On** or **Realtime TX:Off**. Press **OK**.

## Sending in real time for the next fax only

- 1 Make sure you are in Fax mode .
- 2 Press **Menu**, **2**, **2**, **3**.
- 3 Press **▲** or **▼** to choose **Next Fax Only**. Press **OK**.
- 4 Press **▲** or **▼** to choose **Off** or **On**.
- 5 Press **OK**.



### Note

In real time transmission, the automatic redial feature does not work when using the scanner glass.

## Overseas Mode

If you are having difficulty sending a fax overseas due to possible interference on the telephone line, we recommend that you turn on the Overseas mode. After you send a fax using this feature, the feature will turn itself off.

- 1 Make sure you are in Fax mode .
- 2 Load your document.
- 3 Press **Menu**, **2**, **2**, **4**.
- 4 Press **▲** or **▼** to choose **On** (or **Off**). Press **OK**.

## Checking and canceling waiting jobs

You can check which jobs are still waiting in the memory to be sent and cancel a job. (If there are no jobs, the LCD shows *No Jobs Waiting*.)

- 1 Press **Menu**, **2**, **4**. Any waiting jobs appear on the LCD.
- 2 Press **▲** or **▼** to scroll through the jobs and choose the job you want to cancel. Press **OK**.
- 3 Do one of the following:
  - Press **1** to cancel it.
  - Press **2** to exit without canceling.
- 4 When you have finished, press **Stop/Exit**.

## Sending a fax manually

Manual transmission lets you hear the dialing, ringing and fax-receiving tones while sending a fax.

- 1 Make sure you are in Fax mode .
- 2 Load your document.
- 3 Pick up the handset of an external telephone or press **Hook** and listen for a dial tone.
- 4 Dial the fax number you want to call.
- 5 When you hear the fax tone, press **Black Start** or **Color Start**.
  - If you load the document on the scanner glass, press **1** to send the fax.

1.Send 2.Receive

- 6 If you picked up the handset of an external telephone replace it.

## Sending a fax at the end of a conversation

---

At the end of a conversation you can send a fax to the other party before you both hang up.

- 1 Ask the other party to wait for fax tones (beeps) and then to press the **Start** or **Send** key before hanging up.
- 2 Make sure you are in Fax mode .
- 3 Load your document.
- 4 Press **Black Start** or **Color Start**.
  - If you load the document on the scanner glass, press **1** to send the fax.

1.Send 2.Receive

- 5 Replace the handset of an external telephone.

## Out of Memory message

---

If you get an **Out of Memory** message while scanning the first page of a fax, press **Stop/Exit** to cancel the fax.

If you get an **Out of Memory** message while scanning a subsequent page, you will have the option to press **Start** to send the pages scanned so far, or to press **Stop/Exit** to cancel the operation.



### Note

---

If you get an **Out of Memory** message while faxing and you do not want to delete your stored faxes to clear the memory, you can send the fax in real time. (See *Real time transmission* on page 30.)

---

## Choose the correct Receive Mode

### Choosing the Receive Mode

The diagram below will help you choose the correct mode. For more detailed information on the receive modes see *Using receive modes* on page 35 and *Receive mode settings* on page 36.

**Will you be using a Distinctive Ring number for receiving faxes?**

Brother uses the term "Distinctive Ring" but different telephone companies may have other names for this service such as Custom Ringing, RingMaster, Personalized Ring, Teen Ring, Ident-A-Ring, Ident-A-Call, Data Ident-A-Call, Smart Ring and SimpleBiz Fax & Alternate Number Ringing. See *Distinctive Ring* on page 41 for instruction on setting up your machine using this feature.

**Will you be using Voice Mail on the same telephone line as your Brother machine?**

If you have Voice Mail on the same telephone line as your Brother machine, there is a strong possibility that Voice Mail and the Brother machine will conflict with each other when receiving incoming calls. See *Voice Mail* on page 40 for instructions on setting up your machine using this service.

**Will you be using a Telephone Answering Device on the same telephone line as your Brother machine?**

Your external telephone answering device (TAD) will automatically answer every call. Voice messages are stored on the external TAD and fax messages are printed. Choose `External TAD` as your receive mode. See *External TAD* on page 35.

**Will you be using your Brother machine on a dedicated fax line?**

Your machine automatically answers every call as a fax. Choose `Fax Only` as your receive mode. See *Fax only* on page 35.

**Will you be using your Brother machine on the same line as your telephone?**

**Do you want to receive voice calls and faxes automatically?**

The `Fax/Tel` receive mode is used when sharing the Brother machine and your telephone on the same line. Choose `Fax/Tel` as your receive mode. See *Fax/Tel* on page 35.

**Important Note:** You cannot receive voice messages on either Voice Mail or an answering machine with the `Fax/Tel` mode.

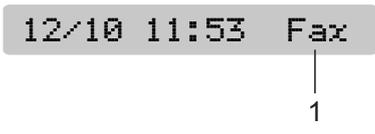
**Do you expect to receive very few faxes?**

Choose `Manual` as your receive mode. You control the telephone line and must answer every call yourself. See *Manual* on page 35.

If you are using the Distinctive Ring subscriber service see *Voice Mail* on page 40 or *Distinctive Ring* on page 41.

To set the receive mode follow the instructions below.

- 1 Press **Menu**, **0**, **1**.
- 2 Press **▲** or **▼** to choose **Fax Only**, **Fax/Tel**, **External TAD** or **Manual**. Press **OK**.
- 3 Press **Stop/Exit**.  
The LCD will display the current receive mode.



- 1 **Current receive mode**  
Fax: Fax Only

## Using receive modes

Some receive modes answer automatically (**Fax Only** and **Fax/Tel**). You may want to change the ring delay before using these modes. (See *Ring Delay* on page 36.)

### Fax only

Fax only mode will automatically answer every call as a fax call.

### Fax/Tel

Fax/Tel mode helps you automatically manage incoming calls, by recognizing whether they are fax or voice calls and dealing with them in one of the following ways:

- Faxes will be automatically received.
- Voice calls will start the F/T ring to tell you to pick up the line. The F/T ring is a fast pseudo/double-ring made by your machine.

(Also see *F/T Ring Time (Fax/Tel mode only)* on page 36 and *Ring Delay* on page 36.)

### Manual

Manual mode turns off all automatic answering functions unless you are using the Distinctive Ring Receive feature.

To receive a fax in manual mode lift the handset of an external telephone or press **Hook**. When you hear fax tones (short repeating beeps), press **Black Start** or **Color Start**. You can also use the Easy Receive feature to receive faxes by lifting a handset on the same line as the machine.

(Also see *Easy Receive* on page 37.)

## External TAD

External TAD mode lets an external answering device manage your incoming calls. Incoming calls will be dealt with in one of the following ways:

- Faxes will be automatically received.
- Voice callers can record a message on the external TAD.

(For more information see *Connecting an external TAD (telephone answering device)* on page 44.)

## Receive mode settings

### Ring Delay

---

The Ring Delay sets the number of times the machine rings before it answers in **Fax Only** or **Fax/Tel** mode. If you have external or extension telephones on the same line as the machine keep the ring delay setting of 4 rings.

(See *Using external and extension telephones* on page 48 and *Easy Receive* on page 37.)

- 1 Press **Menu, 2, 1, 1**.
- 2 Press **▲** or **▼** to choose how many times the line rings before the machine answers.  
Press **OK**.  
If you choose 0, the line will not ring at all.
- 3 Press **Stop/Exit**.

### F/T Ring Time (Fax/Tel mode only)

---

When somebody calls your machine, you and your caller will hear the normal telephone ring sound. The number of rings is set by the ring delay setting.

If the call is a fax, then your machine will receive it; however, if it is a voice call the machine will sound the F/T ring (a fast double-ring) for the time you have set in the F/T ring time setting. If you hear the F/T ring it means that you have a voice caller on the line.

Because the F/T ring is made by the machine, extension and external telephones will *not* ring; however, you can still answer the call on any telephone. (For more information see *Using remote codes* on page 49.)

- 1 Press **Menu, 2, 1, 2**.
- 2 Press **▲** or **▼** to choose how long the machine will ring to alert you that you have a voice call (20, 30, 40 or 70 seconds).  
Press **OK**.
- 3 Press **Stop/Exit**.



#### Note

---

Even if the caller hangs up during the pseudo/double-ringing, the machine will continue to ring for the set time.

---

## Easy Receive

### If Easy Receive is On:

The machine receives a fax call automatically, even if you answer the call. When you see *Receiving* on the LCD or when you hear 'chirps' through the handset you are using, just replace the handset. Your machine will do the rest.

### If Easy Receive is Off:

If you are at the machine and answer a call first by lifting a handset, press **Black Start** or **Color Start** then press **2** to receive.

If you answered at an extension telephone press \* **5 1**. (See *Using external and extension telephones* on page 48.)



### Note

- If this feature is set to *On*, but your machine does not connect a fax call when you lift an extension or external telephone handset, press the fax receive code \* **5 1**.
- If you send faxes from a computer on the same telephone line and the machine intercepts them, set Easy Receive to *Off*.

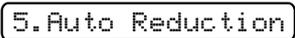
- 1 Press **Menu, 2, 1, 3**.
- 2 Press **▲** or **▼** to choose *On* (or *Off*). Press **OK**.
- 3 Press **Stop/Exit**.

## Additional receiving operations

### Printing a reduced incoming fax

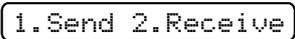
If you choose *On*, the machine automatically reduces each page of an incoming fax to fit on one page of A4, Letter or Legal size paper.

The machine calculates the reduction ratio by using the page size of the fax and your Paper Size setting (**Menu, 1, 3**).

- 1 Make sure you are in Fax mode .
- 2 Press **Menu, 2, 1, 5**.  

- 3 Press **▲** or **▼** to choose *On* or *Off*. Press **OK**.
- 4 Press **Stop/Exit**.

### Receiving a fax at the end of a conversation

At the end of a conversation you can ask the other party to send you a fax before you both hang up.

- 1 Ask the other party to place the document in their machine and to press **Start** or **Send** key.
- 2 When you hear the CNG tones (slowly repeating beeps), press **Black Start** or **Color Start**.
- 3 Press **2** to receive a fax.  

- 4 Replace the external handset.

## Receiving faxes into memory when the paper tray is empty (Black & White only)

---

As soon as the paper tray becomes empty during fax reception, the screen will display `No Paper Fed`, asking you to put paper in the paper tray. (See *Loading paper and other print media* on page 8.)

The machine will carry on receiving the fax, with the remaining pages being stored in memory, if enough memory is available.

Further incoming faxes will also be stored into memory until the memory is full. When the memory is full the machine will stop automatically answering calls. To print the faxes, put fresh paper in the tray.

## Voice Operations

### Tone or pulse (Canada only)

---

If you are using an external telephone and have a pulse dialing service, but need to send tone signals (for example, for telephone banking), follow the instructions below.

- 1 Lift the handset of the external telephone.
- 2 Press # on the control panel of your machine. Any digits dialed after this will send tone signals.  
When you hang up, the machine will return to the pulse dialing service.

### Fax/Tel mode when the power key is on

---

When the machine is in Fax/Tel mode, it will use the F/T Ring Time (pseudo/double-ringing) to alert you to pick up a voice call.

If you are at an external telephone, lift the handset of the external telephone, and then press **Hook** to answer.

If you are at an extension telephone, you'll need to lift the handset during the F/T Ring Time and then press **# 5 1** between the pseudo/double-rings. If no one is on the line, or if someone wants to send you a fax, send the call back to the machine by pressing **\* 5 1**.

### Fax/Tel mode when the power key is off

---

When the **On/Off** key is off you can receive faxes automatically if the **On/Off** setting is **Fax Receive:On**. (See *Power Off setting* on page 19.) Fax/Tel mode will work in the following ways.

Fax/Tel mode does not work when the power key is off. The machine will not answer telephone or fax calls and will keep ringing. If you are at an external or extension telephone, lift the handset and talk. If you hear fax tones, hold the handset until Easy Receive activates your machine. If the other party says they want to send you a fax, activate the machine by pressing **\* 5 1**.

## Telephone services

Your machine supports the Caller ID and Distinctive Ring subscriber telephone services that some telephone companies offer.

Features like Voice Mail, Call Waiting, Call Waiting/Caller ID, RingMaster, answering services, alarm systems or other custom features on one telephone line may affect the way your machine works. If you have Voice Mail on your telephone line, please read the following carefully.

### Voice Mail

---

If you have Voice Mail on the same telephone line as your Brother machine, Voice Mail and the Brother machine will conflict with each other when receiving incoming calls.

For example, if your Voice Mail is set to answer after 4 rings and your Brother machine is set to answer after 2 rings, then your Brother machine will answer first. This will prevent callers from being able to leave a message in your Voice Mail.

Similarly, if your Brother machine is set to answer after 4 rings and your Voice Mail is set to answer after 2 rings, then your Voice Mail will answer first. This will prevent your Brother machine from being able to receive an incoming fax, since Voice Mail cannot transfer the incoming fax back to the Brother machine.

To avoid conflicts between your Brother machine and your voice mail service, do one of the following:

Get the Distinctive Ring service from your telephone company. Distinctive Ring is a feature of your Brother machine that allows a person with one line to receive fax and voice calls through two different phone numbers on that one line. Brother uses the term 'Distinctive Ring,' but telephone companies market the service under a variety of names, such as Custom Ringing, Personalized Ring, Smart Ring, RingMaster, Ident-A-Ring, Ident-A-Call, Data Ident-A-Call, Teen Ring, and SimpleBiz Fax & Alternate Number Ringing. This service establishes a second telephone number on the same line as your existing telephone number, and each number has its own ring pattern. Typically, the original number rings with the standard ring pattern and is used for receiving voice calls, and the second number rings with a different ring pattern and is used for receiving faxes. (See *Distinctive Ring* on page 41.)

#### OR

Set your Brother machine's Receive Mode to "Manual." Manual Mode requires that you answer every incoming call if you want to be able to receive a fax. If the incoming call is a telephone call, then complete the call as you normally would. If you hear fax sending tones you must transfer the call to the Brother machine. (See *Using external and extension telephones* on page 48.) Unanswered fax and voice calls will go to your Voice Mail. (To set the machine in **MANUAL** Mode, see *Choosing the Receive Mode* on page 33.)

## Distinctive Ring

---

Distinctive Ring is a function of your Brother machine that allows a person with one line to receive fax and voice calls through two different phone numbers on that one line. Brother uses the term “Distinctive Ring,” but telephone companies market the service under a variety of names, such as Smart Ring, Ring Master or Ident-a-Ring. This service establishes a second telephone number on the same line as your existing telephone number, and each number has its own ring pattern. Typically, the original number rings with the standard ring pattern and is used for receiving voice calls, and the second number rings with a different ring pattern and is used for receiving faxes.



### Note

---

- You must pay for your telephone company’s Distinctive Ring service before you program the machine to work with it.
  - Please call your telephone company for availability and rates.
- 

## What does your telephone company's ‘Distinctive Ring’ do?

Your telephone company's Distinctive Ring service allows you to have more than one number on the same telephone line. **If you need more than one telephone number, it is cheaper than paying for an extra line.** Each telephone number has its own distinctive ring pattern, so you will know which telephone number is ringing. This is one way you can have a separate telephone number for your machine.

## What does Brother's ‘Distinctive Ring’ do?

The Brother machine has a Distinctive Ring feature that allows you to use your machine to take full advantage of the telephone company's Distinctive Ring service. The new telephone number on your line can just receive faxes.

## Do you have Voice Mail?

If you have Voice Mail on the telephone line that you will install your new machine on, *there is a strong possibility that Voice Mail and the machine will conflict with each other while receiving incoming calls.* **However, the Distinctive Ring feature allows you to use more than one number on your line, so both Voice Mail and the machine can work together without any problems.** If each one has a separate telephone number, neither will interfere with the other's operations.

If you decide to get the Distinctive Ring service from the telephone company, you will need to follow the directions on next page to ‘register’ the new Distinctive Ring pattern they give you. This is so your machine can recognize its incoming calls.



### Note

---

You can change or cancel the Distinctive Ring pattern at any time. You can switch it off temporarily, and turn it back on later. When you get a new fax number, make sure you reset this feature.

---

## Before you choose the ring pattern to register

You can only register one Distinctive Ring pattern with the machine. Some ring patterns cannot be registered. The ring patterns below are supported by your Brother machine. Register the one your telephone company gives you.

Ring Pattern	Rings	
1	long-long	
2	short-long-short	
3	short-short-long	
4	very long (normal pattern)	



### Note

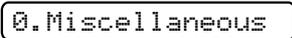
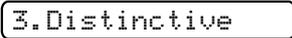
Ring Pattern #1 is often called short-short and is the most commonly used. If the ring pattern you received is not on this chart, **please call your telephone company and ask for one that is shown.**

- The machine will only answer calls to its registered number.
- The first two rings are silent on the machine. This is because the fax must 'listen' to the ring pattern (to compare it to the pattern that was 'registered'). (Other telephones on the same line will ring.)
- If you program the machine properly, it will recognize the registered ring pattern of the 'fax number' within 2 ring patterns and then answer with a fax tone. When the 'voice number' is called, the machine will not answer.

## Registering the Distinctive Ring pattern

### Very Important!

After you have set the Distinctive Ring feature to On, your Distinctive Ring number will receive faxes automatically. The receive mode is set to *Manual* and you cannot change it to another mode while Distinctive Ring is set to On. This ensures the Brother machine will only answer the Distinctive Ring number and not interfere when your main telephone number is called.

- 1 Press **Menu, 2, 0, 3.**  
  

- 2 Press **▲** or **▼** to choose *Set.*  
Press **OK.**
- 3 Press **▲** or **▼** to choose the stored ring pattern you want to use.  
Press **OK.**  
(You hear each pattern as you scroll through the four patterns. Make sure you choose the pattern that the telephone company gave you.)
- 4 Press **Stop/Exit.**  
Distinctive Ring is now set to On.

## Turning off Distinctive Ring

- 1 Press **Menu, 2, 0, 3.**
- 2 Press **▲** or **▼** to choose *Off.*  
Press **OK.**
- 3 Press **Stop/Exit.**



### Note

If you turn off Distinctive Ring, the machine will stay in *Manual* receive mode. You will need to set the Receive Mode again. (See *Choosing the Receive Mode* on page 33.)

## Caller ID

The Caller ID feature lets you use the Caller ID subscriber service offered by many local telephone companies. Call your telephone company for details. This service shows the telephone number, or name if it is available, of your caller as the line rings.

After a few rings, the LCD shows the telephone number of your caller (and name, if available). Once you answer a call, the Caller ID information disappears from the LCD, but the call information stays stored in the Caller ID memory.

- You can see the first 16 characters of the number (and name).
- The # `Unavailable` message means the call originated outside your Caller ID service area.
- The `Private Call` message means the caller has intentionally blocked transmission of information.

You can print a list of the Caller ID information received by your machine. (See *Printing Caller ID List* on page 43.)



### Note

The Caller ID service varies with different carriers. Call your local telephone company to find out about the kind of service available in your area.

## Viewing the Caller ID List

Your machine stores information for the last thirty calls in the Caller ID list. You can view or print this list. When the thirty-first call comes in to the machine, it replaces information about the first call.

- 1 Press **Menu**, **2**, **0**, **4**.
- 2 Press **▲** or **▼** to choose `Display#`. Press **OK**.  
The Caller ID of the last call will appear on the LCD display. If no ID is stored, the beeper will sound and `No Caller ID` will appear on the LCD display.
- 3 Press **▲** or **▼** to scroll through the Caller ID memory to choose the Caller ID you want to view, and then press **OK**.  
The LCD shows the caller's number or name and the date and time of the call.
- 4 To finish viewing, press **Stop/Exit**.

## Printing Caller ID List

- 1 Press **Menu**, **2**, **0**, **4**.
- 2 Press **▲** or **▼** to choose `Print Report`. Press **OK**.  
If no ID is stored, the beeper will sound and `No Caller ID` will appear on the LCD.
- 3 Press **Black Start** or **Color Start**.
- 4 After printing has finished, press **Stop/Exit**.

## Connecting an external TAD (telephone answering device)

You may choose to connect an external answering device. However, when you have an **external** TAD on the same telephone line as the machine, the TAD answers all calls and the machine 'listens' for fax calling (CNG) tones. If it hears them, the machine takes over the call and receives the fax. If it does not hear CNG tones, the machine lets the TAD continue playing your outgoing message so your caller can leave you a voice message.

The TAD must answer within four rings (the recommended setting is two rings). The machine cannot hear CNG tones until the TAD has answered the call, and with four rings there are only 8 to 10 seconds of CNG tones left for the fax 'handshake'. Make sure you carefully follow the instructions in this guide for recording your outgoing message. We do not recommend using the toll saver feature on your external answering machine if it exceeds five rings.

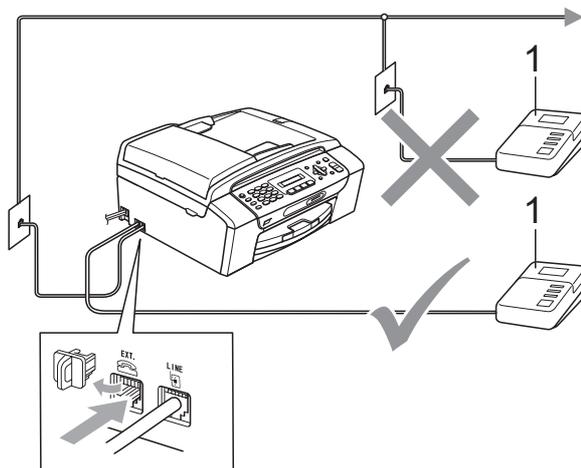
### Note

- If you do not receive all your faxes, reduce the Ring Delay setting on your external TAD.
- **If You Subscribe to your Telephone company's Distinctive Ring Service:**

You may connect an external TAD to a separate wall jack only if you subscribe to your telephone company's Distinctive Ring service, have registered the distinctive ring pattern on your machine, and use that number as a fax number. The recommended setting is at least four rings on the external TAD when you have the telephone company's Distinctive Ring Service. You cannot use the Toll Saver setting.

- **If You Do Not Subscribe to Distinctive Ring Service:**

You must plug your TAD into the EXT. jack of your machine. If your TAD is plugged into a wall jack, both your machine and the TAD will try to control the telephone line. (See illustration below.)



#### 1 TAD

When the TAD answers a call, the LCD shows Telephone.

## Connections

---

The external TAD must be plugged into the jack labeled EXT. Your machine cannot work properly if you plug the TAD into a wall jack (unless you are using Distinctive Ring).

- 1 Plug the telephone line cord from the telephone wall jack into the jack labeled LINE.
- 2 Plug the telephone line cord from the external TAD into the jack labeled EXT. (Make sure this cord is connected to the TAD at the TAD's telephone line jack, and not its handset jack.)
- 3 Set your external TAD to four rings or less. (The machine's Ring Delay setting does not apply.)
- 4 Record the outgoing message on your external TAD.
- 5 Set the TAD to answer calls.
- 6 Set the Receive Mode to *External TAD*. (See *Choosing the Receive Mode* on page 33.)

## Recording an outgoing message (OGM) on an external TAD

---

Timing is important in recording this message. The message sets up the ways to handle both manual and automatic fax reception.

- 1 Record 5 seconds of silence at the beginning of your message. (This allows your machine time to listen for the fax CNG tones of automatic transmissions before they stop.)
- 2 Limit your speaking to 20 seconds.
- 3 End your 20-second message by giving your Fax Receive Code for people sending manual faxes. For example: 'After the beep, leave a message or send a fax by pressing \* 5 1 and Start.'



### Note

---

We recommend beginning your OGM with an initial 5-second silence because the machine cannot hear fax tones over a resonant or loud voice. You may try omitting this pause, but if your machine has trouble receiving, then you must re-record the OGM to include it.

---

## Special line considerations

### Roll over telephone lines

A roll over telephone system is a group of two or more separate telephone lines that pass incoming calls to each other if they are busy. The calls are usually passed down or 'rolled over' to the next available telephone line in a preset order.

Your machine can work in a roll over system as long as it is the last number in the sequence, so the call cannot roll away. Do not put the machine on any of the other numbers; when the other lines are busy and a second fax call is received, the fax call will be sent to a line that does not have a fax machine. **Your machine will work best on a dedicated line.**

### Two-line telephone system

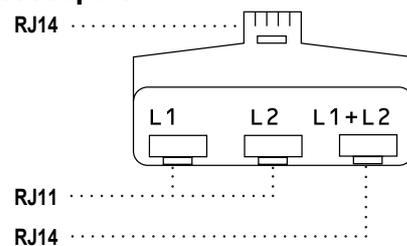
A two-line telephone system is nothing more than two separate telephone numbers on the same wall outlet. The two telephone numbers can be on separate jacks (RJ11) or mixed into one jack (RJ14). Your machine must be plugged into an RJ11 jack. RJ11 and RJ14 jacks may be equal in size and appearance and both may contain four wires (black, red, green, yellow). To test the type of jack, plug in a two-line telephone and see if it can access both lines. If it can, you must separate the line for your machine. (See *Easy Receive* on page 37.)

### Converting telephone wall outlets

There are three ways to convert to an RJ11 jack. The first two ways may require help from the telephone company. You can change the wall outlets from one RJ14 jack to two RJ11 jacks. Or you can have an RJ11 wall outlet installed and slave or jump one of the telephone numbers to it.

The third way is the easiest: Buy a triplex adapter. You can plug a triplex adapter into an RJ14 outlet. It separates the wires into two separate RJ11 jacks (Line 1, Line 2) and a third RJ14 jack (Lines 1 and 2). If your machine is on Line 1, plug the machine into L1 of the triplex adapter. If your machine is on Line 2, plug it into L2 of the triple adapter.

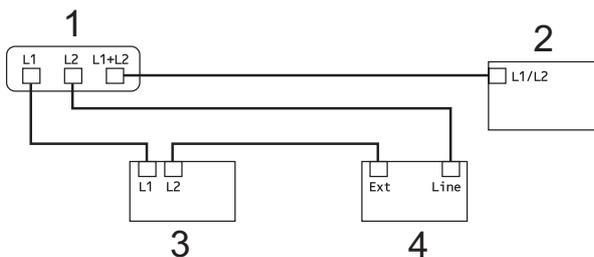
#### Triplex Adapter



### Installing machine, external two-line TAD and two-line telephone

When you are installing an external two-line telephone answering device (TAD) and a two-line telephone, your machine must be isolated on one line at both the wall jack and at the TAD. The most common connection is to put the machine on Line 2, which is explained in the following steps. The back of the two-line TAD must have two telephone jacks: one labeled L1 or L1/L2, and the other labeled L2. You will need at least three telephone line cords, the one that came with your machine and two for your external two-line TAD. You will need a fourth line cord if you add a two-line telephone.

- 1 Put the two-line TAD and the two-line telephone next to your machine.
- 2 Plug one end of the telephone line cord for your machine into the L2 jack of the triplex adapter. Plug the other end into the LINE jack on the back of the machine.
- 3 Plug one end of the first telephone line cord for your TAD into the L1 jack of the triplex adapter. Plug the other end into the L1 or L1/L2 jack of the two-line TAD.
- 4 Plug one end of the second telephone line cord for your TAD into the L2 jack of the two-line TAD. Plug the other end into the EXT. jack on the left side of the machine.



- 1 Triplex Adapter
- 2 Two Line Telephone
- 3 External Two Line TAD
- 4 Machine

You can keep two-line telephones on other wall outlets as always. There are two ways to add a two-line telephone to the machine's wall outlet. You can plug the telephone line cord from the two-line telephone into the L1+L2 jack of the triplex adapter. Or you can plug the two-line telephone into the TEL jack of the two-line TAD.

## Multi-line connections (PBX)

We suggest you ask the company who installed your PBX to connect your machine. If you have a multi line system we suggest you ask the installer to connect the unit to the last line on the system. This prevents the machine being activated each time the system receives telephone calls. If all incoming calls will be answered by a switchboard operator we recommend that you set the Receive Mode to `Manual`.

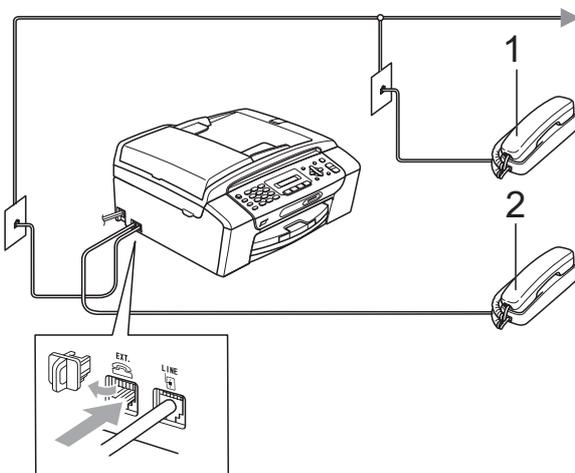
We cannot guarantee that your machine will operate properly under all circumstances when connected to a PBX. Any difficulties with sending or receiving faxes should be reported first to the company who handles your PBX.

## External and extension telephones

### Connecting an external or extension telephone

You can connect a separate telephone directly to your machine as shown in the diagram below.

Connect the telephone line cord to the jack labeled EXT.



1 Extension telephone

2 External telephone

When you are using an external telephone, the LCD shows *Telephone*.

## Using external and extension telephones

### Using extension telephones:

If you answer a fax call at an extension telephone, you can make your machine receive the fax by pressing the Fax Receive Code \* **5 1**. If the machine answers a voice call and pseudo/double-rings for you to take over, you can take the call at an extension telephone by pressing the Telephone Answer Code # **5 1**. (See *F/T Ring Time (Fax/Tel mode only)* on page 36.)

### Using an external telephone (connected to the EXT. jack of the machine):

If you answer a fax call at the external telephone, you can make the machine receive the fax by pressing **Black Start**.

If the machine answers a voice call and pseudo/double-rings for you to take over, you can take the call at the external telephone by pressing **Hook**.

### If you answer a call and no one is on the line:

You should assume that you're receiving a manual fax.

Press \* **5 1** and wait for the chirp or until the LCD shows *Receiving*, and then hang up.

### Note

You can also use the Easy Receive feature to make your machine automatically take the call. (See *Easy Receive* on page 37.)

## Using a non-Brother cordless external telephone

If your non-brother cordless telephone is connected to the EXT. jack of the machine and you typically carry the cordless handset elsewhere, it is easier to answer calls during the Ring Delay.

If you let the machine answer first, you will have to go to the machine so you can press **Hook** to send the call to the cordless handset.

## Using remote codes

### Fax Receive Code

If you answer a fax call on an extension telephone, you can tell your machine to receive it by dialing the Fax Receive Code \* **5 1**. Wait for the chirping sounds then replace the handset. (See *Easy Receive* on page 37.)

If you answer a fax call at the external telephone, you can make the machine receive the fax by pressing **Black Start**.

### Telephone Answer Code

If you receive a voice call and the machine is in F/T mode, it will start to sound the F/T (double) ring after the initial ring delay. If you pick up the call on an extension telephone you can turn the F/T ring off by pressing **# 5 1** (make sure you press this *between* the rings).

If the machine answers a voice call and pseudo/double rings for you to take over, you can take the call at the external telephone by pressing **Hook**.

## Changing the remote codes

The preset Fax Receive Code is \* **5 1**. The preset Telephone Answer Code is **# 5 1**. If you want to, you can replace them with your own codes.

- 1 Press **Menu, 2, 1, 4**.  

1.Setup Receive

4.Remote Codes
- 2 Press **▲** or **▼** to choose On (or Off). Press **OK**.
- 3 Enter the new Fax Receive Code. Press **OK**.
- 4 Enter the new Telephone Answer Code. Press **OK**.
- 5 Press **Stop/Exit**.



### Note

- If you are always disconnected when accessing your external TAD remotely, try changing the Fax Receive Code and Telephone Answer Code to another three-digit code \*(such as **###** and **999**).
- Remote Codes might not work with some telephone systems.

# 8

## Dialing and storing numbers

### How to Dial

#### Manual dialing

Press all of the digits of the fax or telephone number.



#### Speed Dialing

- 1 Press  (**Speed Dial**).



- 2 Press **OK** and the # (pound) key, and then the two digit Speed Dial number using the dial pad.



#### Note

If the LCD shows **Not Registered** when you enter a Speed Dial number, a number has not been stored at this location.

### Search

You can search for names you have stored in the Speed Dial memory.

- 1 Press  (**Speed Dial**).
- 2 Press **▲** or **▼** to choose **Search**. Press **OK**.
- 3 Do one of the following:
  - To search numerically, press **▲** or **▼** to choose the number, and then press **OK**.
  - To search alphabetically, enter the first letter of the name using the dial pad, then press **◀** or **▶** to choose the name, and then press **OK**.

### Fax Redial

If you are sending a fax manually and the line is busy, press **Redial/Pause**, and then press **Black Start** or **Color Start** to try again. If you want to make a second call to the last number dialed, you can save time by pressing **Redial/Pause** and **Black Start** or **Color Start**.

**Redial/Pause** only works if you dialed from the control panel.

If you are sending a fax automatically and the line is busy, the machine will automatically redial one time after five minutes.



#### Note

In Real Time Transmission the automatic redial feature does not work when using the scanner glass.

## Storing numbers

You can set up your machine to do the following types of easy dialing: Speed Dial and Groups for broadcasting faxes. When you dial a Quick Dial number, the LCD shows the name, if you stored it, or the number.



### Note

If you lose electrical power, the Quick Dial numbers that are in the memory will not be lost.

## Storing a pause

Press **Redial/Pause** to put a 3.5-second pause between numbers. If you are dialing overseas, you can press **Redial/Pause** as many times as needed to increase the length of the pause.

## Storing Speed Dial numbers

You can store up to 40 2-digit Speed Dial locations with a name. When you dial you will only have to press a few keys (For example:

**Speed Dial**, **OK**, **#**, the two-digit number, **▲** **Black Start** or **Color Start**).

- 1 Press **Speed Dial** (Speed Dial) and **▲** or **▼** to choose **Set Speed Dial**. Press **OK**.
- 2 Use the dial pad to enter a 2-digit Speed Dial location number (01-40). Press **OK**.
- 3 Enter the fax or telephone number (up to 20 digits). Press **OK**.

- 4 Do one of the following:
  - Enter the name (up to 16 characters) using the dial pad.  
Press **OK**. (To help you enter letters, see *Entering Text* on page 129.)
  - To store the number without a name, press **OK**.
- 5 Do one of the following:
  - To store another Speed Dial number, go to step 2.
  - To finish the setting, press **Stop/Exit**.

## Changing Speed Dial numbers

If you try to store a Speed Dial number where a number has already been stored, the LCD will show the name or number that has been stored there, and will ask you to do one of the following:

#05:MIKE

1.Change 2.Exit

- Press **1** to change the stored number.
- Press **2** to exit without making a change.

If you chose **1**, you will be able to change the stored number and name, or enter a new one. Follow the instructions below:

- 1 Enter a new number. Press **OK**.
- 2 Enter a new name. Press **OK**.
  - To change a character, use **◀** or **▶** to position the cursor under the character you want to change, then press **Clear/Back**. Re-enter the character.
  - To finish the setting, press **Stop/Exit**.

## Setting up groups for broadcasting

If you regularly want to send the same fax message to many fax numbers you can set up a Group. Groups are stored on a Speed Dial number. Each group uses up a Speed Dial location. You can then send the fax message to all the numbers stored in a group just by entering a Speed Dial number, and then pressing **Black Start**.

Before you can add numbers to a Group, you need to store them as Speed Dial numbers. You can have up to six small Groups, or you can assign up to 39 numbers to one large Group.

- 1 Press  (**Speed Dial**) and **▲** or **▼** to choose **Setup Groups**. Press **OK**.
- 2 Use the dial pad to enter the two-digit Speed Dial number where you want to store Group. Press **OK**.
- 3 Use the dial pad to enter a Group number (1 to 6). Press **OK**.

Setup Group: G0\_

- 4 To add Speed Dial numbers follow the instructions below:  
For example, for Speed Dial numbers 05 and 09. Press  (**Speed Dial**), **05**,  (**Speed Dial**), **09**.  
The LCD shows: #05#09.

G01: #05#09

- 5 Press **OK** when you have finished adding numbers.
- 6 Use the dial pad to enter a name for the Group. Press **OK**.



### Note

You can easily print a list of all your Speed Dial numbers. Numbers that are part of a group will be marked in the GROUP column. (See *How to print a report* on page 54.)

## Dialing access codes and credit card numbers

You can combine more than one Quick Dial number when you dial. This feature may be useful if you need to dial an access code for a cheaper rate long distance carrier.

For example, you might have stored '555' on Speed Dial #03 and '7000' on Speed Dial #02. You can use them both to dial '555-7000' if you press the following keys:

 (**Speed Dial**), **OK**, **#03**,  (**Speed Dial**), **#02**, and **Start**.

Numbers can be added manually by entering them on the dial pad:

 (**Speed Dial**), **OK**, **#03**, **7**, **0**, **0**, **1** (on the dial pad), and **Start**.

This would dial '555-7001'. You can also add a pause by pressing the **Redial/Pause** key.

## Fax reports

You need to set up the Transmission Verification Report and Journal Period using the **Menu** key.

### Transmission Verification Report

You can use the Transmission Report as proof that you sent a fax. This report lists the time and date of transmission and whether the transmission was successful (OK). If you choose **On** or **On+Image**, the report will print for every fax you send.

If you send a lot of faxes to the same place, you may need more than the job numbers to know which faxes you must send again.

Choosing **On+Image** or **Off+Image** will print a section of the fax's first page on the report to help you remember.

When the Verification Report is set to **Off** or **Off+Image** and the fax wasn't sent, the Report will only print if there is a transmission error, with NG in the RESULT column.



#### Note

If you choose **On+Image** or **Off+Image** the image will only appear on the Transmission Verification Report if Real Time Transmission is set to **Off**. (See *Real time transmission* on page 30.)

- 1 Press **Menu**, **2**, **3**, **1**.
- 2 Press **▲** or **▼** to choose **Off+Image**, **On**, **On+Image** or **Off**. Press **OK**.
- 3 Press **Stop/Exit**.

### Fax Journal (activity report)

You can set the machine to print a journal at specific intervals (every 50 faxes, 6, 12 or 24 hours, 2 or 7 days). If you set the interval to **Off**, you can still print the report by following the steps in *How to print a report* on page 54. The default setting is

Every 50 Faxes.

- 1 Press **Menu**, **2**, **3**, **2**.
- 2 Press **▲** or **▼** to choose an interval. Press **OK**.  
(If you choose 7 days, the LCD will ask you to choose the first day for the 7-day countdown.)
  - 6, 12, 24 hours, 2 or 7 days  
The machine will print the report at the chosen time and then erase all jobs from its memory. If the machine's memory becomes full with 200 jobs before the time you chose has passed, the machine will print the Journal early and then erase all jobs from the memory. If you want an extra report before it is due to print, you can print it without erasing the jobs from the memory.
  - Every 50 Faxes  
The machine will print the Journal when the machine has stored 50 jobs.
- 3 Enter the time to start printing in 24-hour format. Press **OK**.  
(For example: enter 19:45 for 7:45 PM.)
- 4 Press **Stop/Exit**.

# Reports

The following reports are available:

1. **Transmission**

Prints a Transmission Verification Report for your last transmission.

2. **Help List**

A help list showing how to program your machine.

3. **Quick Dial**

Lists names and numbers stored in the Speed Dial memory, in numerical order.

4. **Fax Journal**

Lists information about the last incoming and outgoing faxes.  
(TX: Transmit.) (RX: Receive.)

5. **User Settings**

Lists your settings.

## How to print a report

---

- 1 Press **Menu**, **5**.
- 2 Do one of the following:
  - Press **▲** or **▼** to choose the report you want. Press **OK**.
  - Enter the number of the report you want to print. For example, press **2** to print the help list.
- 3 Press **Black Start**.
- 4 Press **Stop/Exit**.



# Copy

---

Making copies

56

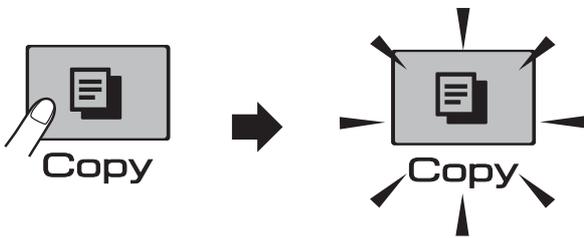
# 10

## Making copies

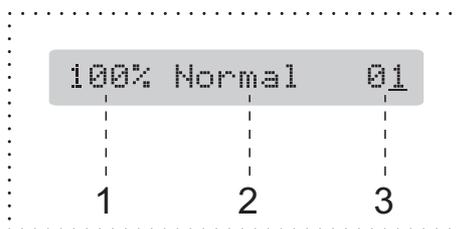
### How to copy

#### Entering Copy mode

Press  (**Copy**) to enter Copy mode. The default setting is Fax. You can change the number of seconds or minutes that the machine stays in Copy mode. (See *Mode Timer* on page 20.)



The LCD shows the default copy setting:



- 1 Copy Ratio
- 2 Quality
- 3 No of Copies

#### Making a single copy

- 1 Make sure you are in Copy mode .
- 2 Load your document.  
(See *Loading documents* on page 17.)
- 3 Press **Black Start** or **Color Start**.

#### Making multiple copies

You can make up to 99 copies.

- 1 Make sure you are in Copy mode .
- 2 Load your document.  
(See *Loading documents* on page 17.)
- 3 Use the dial pad to enter the number of copies (up to 99).
- 4 Press **Black Start** or **Color Start**.



#### Note

To sort your copies, press the **Copy Options** key. (See *Sorting copies using the ADF (Black & White only)* on page 61.)

#### Stop copying

To stop copying, press **Stop/Exit**.

## Copy options

When you want to quickly change the copy settings *temporarily* for the next copy, use the **Copy Options** key.

Copy Options



The machine returns to its default settings 2 minutes after it finishes copying, or if the mode timer returns the machine to Fax mode. (For more information see *Mode Timer* on page 20.)

Press	Menu selection	Options	Page
Press Copy Options 	Quality	Fast Normal Best	58
	Enlarge/ Reduce	46%/78%/83%/ 93%/97%/100%/ 104%/186%/198%/ Fit to Page/ Custom (25-400%)	58
	Paper Type	Plain Paper Inkjet Paper Brother BP71 Other Glossy Transparency	62
	Paper Size	Letter Legal A4 A5 4" (W) x 6" (H)	62
	Brightness	- □□■□□ +	61
	Stack/Sort	Stack Sort	61
	Page Layout	Off (1 in 1) 2 in 1 (P) 2 in 1 (L) 4 in 1 (P) 4 in 1 (L) Poster (3 x 3)	59
	No. of Copies	No. of Copies: 01 (01 - 99)	



### Note

You can save some of the copy settings you use most often by setting them as default. You can find instructions on how to do this in the section for each feature.

## Changing copy quality

You can choose from a range of quality settings. The default setting is *Normal*.

To *temporarily* change the quality setting, follow the instructions below:

Press <b>Copy Options</b>  and then ▲ or ▼ to choose Quality	Normal	Normal is the recommended mode for ordinary printouts. This produces good copy quality with good copy speed.
	Fast	Fast copy speed and lowest ink consumption. Use to save time printing documents to be proof-read, large documents or many copies.
	Best	Use best mode to copy precise images such as photographs. This provides the highest resolution and the slowest speed.

- 1 Make sure you are in Copy mode .
- 2 Load your document.
- 3 Use the dial pad to enter the number of copies (up to 99).
- 4 Press **Copy Options** and ▲ or ▼ to choose *Quality*. Press **OK**.
- 5 Press ▲ or ▼ to choose *Normal*, *Best* or *Fast*. Press **OK**.
- 6 Press **Black Start** or **Color Start**.

To change the default setting, follow the instructions below:

- 1 Press **Menu, 3, 1**.  

- 2 Press ▲ or ▼ to choose *Normal*, *Best* or *Fast*. Press **OK**.
- 3 Press **Stop/Exit**.

## Enlarging or reducing the image copied

You can choose an enlargement or reduction ratio. If you choose *Fit to Page*, your machine will adjust the size automatically to the paper size you set.

Press <b>Copy Options</b>  and then ▲ or ▼ to choose Enlarge/Reduce	Fit to Page
	Custom (25-400%)
	198% 4"x6"→A4
	186% 4"x6"→LTR
	104% EXE→LTR
	100%
	97% LTR→A4
	93% A4→LTR
	83% LGL→A4
	78% LGL→LTR
46% LTR→4"x6"	

To enlarge or reduce the next copy follow the instruction below:

- 1 Make sure you are in Copy mode .
- 2 Load your document.
- 3 Use the dial pad to enter the number of copies (up to 99).
- 4 Press **Copy Options** and **▲** or **▼** to choose *Enlarge/Reduce*. Press **OK**.
- 5 Do one of the following:
  - Press **▲** or **▼** to choose the enlargement or reduction ratio you want. Press **OK**.
  - Press **▲** or **▼** to choose *Custom (25–400%)*. Press **OK**. Use the dial pad to enter an enlargement or reduction ratio from 25% to 400%. (For example, press **5 3** to enter 53%.) Press **OK**.
  - Press **▲** or **▼** to choose *100%* or *Fit to Page*. Press **OK**.
- 6 Press **Black Start** or **Color Start**.



### Note

- *Enlarge/Reduce* option is not available with *Page Layout*.
- *Fit to Page* does not work properly when the document on the scanner glass is skewed more than 3 degrees. Using the document guidelines on the left and top, place your document in the upper left hand corner, with the document face down on the scanner glass.
- *Fit to Page* is not available for a Legal size document.

## Making N in 1 copies or a poster (Page Layout)

The N in 1 copy feature can help you save paper by letting you copy two or four pages onto one printed page.

You can also produce a poster. When you use the poster feature your machine divides your document into sections, then enlarges the sections so you can assemble them into a poster. If you want to print a poster, use the scanner glass.

### Important

- Make sure paper size is set to *Letter* or *A4*.
- You cannot use the *Enlarge/Reduce* and *Stack/Sort* settings with the *N in 1* and *Poster* features.
- *N in 1* color copies are not available.
- (P) means *Portrait* and (L) means *Landscape*.
- You can only make one poster copy at a time.

- 1 Make sure you are in Copy mode .
- 2 Load your document.
- 3 Use the dial pad to enter the number of copies (up to 99).
- 4 Press **Copy Options** and **▲** or **▼** to choose *Page Layout*. Press **OK**.
- 5 Press **▲** or **▼** to choose *Off (1 in 1)*, *2 in 1 (P)*, *2 in 1 (L)*, *4 in 1 (P)*, *4 in 1 (L)* or *Poster (3 x 3)*. Press **OK**.

- 6 Press **Black Start** to scan the document. You can also press **Color Start** if you are using the *Poster* layout.

If you placed the document in the ADF or are making a poster, the machine scans the pages and starts printing.

**If you are using the scanner glass, go to 7.**

- 7 After the machine scans the page, press **1** to scan the next page.

Next Page?

1.Yes 2.No

- 8 Place the next page on the scanner glass. Press **OK**. Repeat 7 and 8 for each page of the layout.

Set Next Page

Then Press OK

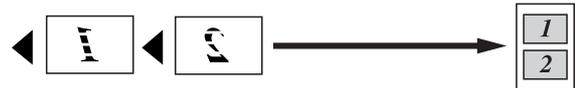
- 9 After all the pages have been scanned, press **2** in 7 to finish.

**Place your document face down in the direction shown below:**

■ **2 in 1 (P)**



■ **2 in 1 (L)**



■ **4 in 1 (P)**

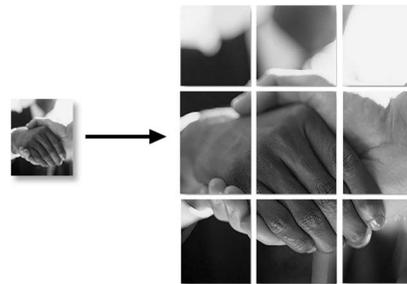


■ **4 in 1 (L)**



■ **Poster (3x3)**

You can make a poster size copy of a photograph.



## Sorting copies using the ADF (Black & White only)

You can sort multiple copies. Pages will be stacked in the order 1 2 3, 1 2 3, 1 2 3, and so on.

- 1 Make sure you are in Copy mode .
- 2 Load your document.
- 3 Use the dial pad to enter the number of copies (up to 99).
- 4 Press **Copy Options** and ▲ or ▼ to choose *Stack/Sort*. Press **OK**.
- 5 Press ▲ or ▼ to choose *Sort*. Press **OK**.
- 6 Press **Black Start**.



### Note

- Sort is *not available* with *Page Layout*.
- Sort is *not available* with *Fit to Page*.

## Adjusting Brightness and Contrast

### Brightness

To temporarily change the brightness setting, follow the instructions below:

- 1 Make sure you are in Copy mode .
  - 2 Load your document.
  - 3 Use the dial pad to enter the number of copies (up to 99).
  - 4 Press **Copy Options** and ▲ or ▼ to choose *Brightness*. Press **OK**.
- +
- 5 Press ▲ to make a lighter copy or press ▼ to make a darker copy. Press **OK**.
  - 6 Press **Black Start** or **Color Start**.

To change the default setting follow the instructions below:

- 1 Press **Menu, 3, 2**.
- 2 Press ▲ to make a lighter copy or press ▼ to make a darker copy. Press **OK**.
- 3 Press **Stop/Exit**.

## Contrast

Adjust the contrast to help an image look sharper and more vivid.

The contrast can only be changed through the default setting.

- 1 Press **Menu**, **3**, **3**.

3.Contrast

- 2 Press **▲** or **▼** to change the contrast. Press **OK**.
- 3 Press **Stop/Exit**.

## Paper options

### Paper Type

If you are copying on special paper, set the machine for the type of paper you are using to get the best print quality.

- 1 Make sure you are in Copy mode .
- 2 Load your document.
- 3 Use the dial pad to enter the number of copies (up to 99).
- 4 Press **Copy Options** and **▲** or **▼** to choose *Paper Type*. Press **OK**.
- 5 Press **▲** or **▼** to choose the type of paper you are using (*Plain Paper*, *Inkjet Paper*, *Brother BP71*, *Other Glossy* or *Transparency*). Press **OK**.
- 6 Press **Black Start** or **Color Start**.



### Note

To change the default paper type setting see *Paper Type* on page 20.

## Paper Size

If copying on paper other than Letter size, you will need to change the paper size setting.

You can copy on Letter, Legal, A4, A5 or Photo 4 in. × 6 in. (10cm × 15cm) paper.

- 1 Make sure you are in Copy mode .
- 2 Load your document.
- 3 Use the dial pad to enter the number of copies (up to 99).
- 4 Press **Copy Options** and **▲** or **▼** to choose *Paper Size*. Press **OK**.
- 5 Press **▲** or **▼** to choose the size of paper you are using (*Letter*, *Legal*, *A4*, *A5* or *4" (W) × 6" (H)*). Press **OK**.
- 6 Press **Black Start** or **Color Start**.



### Note

To change the default paper size setting see *Paper Size* on page 20.



# Walk-up Photo Printing

---

<b>PhotoCapture Center<sup>®</sup>: Printing photos from a memory card or USB Flash memory drive</b>	<b>64</b>
<b>Printing photos from a camera</b>	<b>75</b>

# PhotoCapture Center<sup>®</sup>: Printing photos from a memory card or USB Flash memory drive

## PhotoCapture Center<sup>®</sup> Operations

### Printing from a memory card or USB Flash memory drive without a PC

Even if your machine is not connected to your computer, you can print photos directly from digital camera media or USB Flash Memory drive. (See *How to print from a memory card or USB Flash memory drive* on page 67.)

### Scanning to a memory card or USB Flash memory drive without a PC

You can scan documents and save them directly to a memory card or USB Flash memory drive. (See *Scan to a memory card or USB Flash memory drive* on page 72.)

### Using PhotoCapture Center<sup>®</sup> from your computer

You can access a memory card or USB Flash memory drive that is inserted in the front of the machine from your computer.

(See *PhotoCapture Center<sup>®</sup> for Windows<sup>®</sup>* or *Remote Setup & PhotoCapture Center<sup>®</sup> for Macintosh<sup>®</sup>* in the Software User's Guide on the CD-ROM.)

## Using a memory card or USB Flash memory drive

Your Brother machine has media drives (slots) for use with the following, popular digital camera media: Memory Stick<sup>®</sup>, Memory Stick Pro<sup>™</sup>, SD, SDHC, xD-Picture Card<sup>™</sup> and a USB Flash memory drive.



Memory Stick<sup>®</sup>

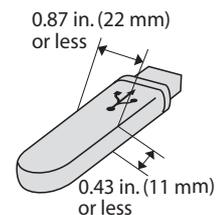


SD, SDHC

Memory Stick Pro<sup>™</sup>



xD-Picture Card<sup>™</sup>



USB Flash memory drive

- miniSD<sup>™</sup> can be used with a miniSD<sup>™</sup> adapter.
- microSD<sup>™</sup> can be used with a microSD<sup>™</sup> adapter.
- Memory Stick Duo<sup>™</sup> can be used with a Memory Stick Duo<sup>™</sup> adapter.
- Memory Stick Pro Duo<sup>™</sup> can be used with a Memory Stick Pro Duo<sup>™</sup> adapter.
- Memory Stick Micro (M2) can be used with a Memory Stick Micro (M2) adapter.
- Adapters are not included with the machine. Contact a third party supplier for adapters.

The PhotoCapture Center<sup>®</sup> feature lets you print digital photos from your digital camera at high resolution to get photo quality printing.

## Memory cards or a USB Flash memory drive folder structure

Your machine is designed to be compatible with modern digital camera image files, memory cards or USB Flash memory drive; however, please read the points below to avoid errors:

- The image file extension must be .JPG (Other image file extensions like .JPEG, .TIF, .GIF and so on will not be recognized).
- Walk-up PhotoCapture Center® printing must be performed separately from PhotoCapture Center® operations using the PC. (Simultaneous operation is not available.)
- IBM Microdrive™ is not compatible with the machine.
- The machine can read up to 999 files (including the folder inside media) on a memory card or USB Flash memory drive.
- This product supports xD-Picture Card™ Type M / Type M+ / Type H (Large Capacity).
- The DPOF file on the memory cards must be in a valid DPOF format. (See *DPOF printing* on page 69.)

Please be aware of the following:

- When printing the Print Index or Print Image, the PhotoCapture Center® will print all valid images, even if one or more images have been corrupted. Corrupted images will not be printed.

### ■ (memory card users)

Your machine is designed to read memory cards that have been formatted by a digital camera.

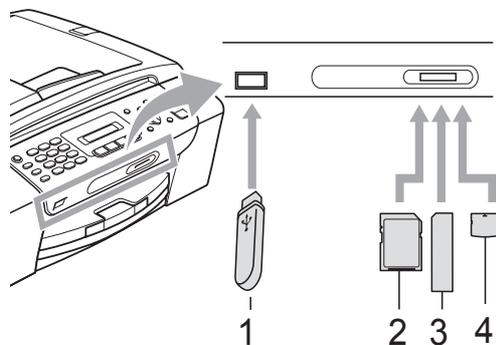
When a digital camera formats a memory card it creates a special folder into which it copies image data. If you need to modify the image data stored on a memory card with your PC, we recommend that you do not modify the folder structure created by the digital camera. When saving new or modified image files to the memory card we also recommend you use the same folder your digital camera uses. If the data is not saved to the same folder, the machine may not be able to read the file or print the image.

### ■ (USB Flash memory drive users)

This machine supports USB Flash memory drives that have been formatted by Windows®.

## Getting started

Firmly put a memory card or USB Flash memory drive into the proper slot.

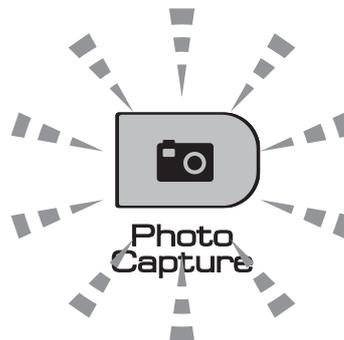


- 1 USB Flash memory drive
- 2 SD, SDHC
- 3 Memory Stick<sup>®</sup>, Memory Stick Pro<sup>™</sup>
- 4 xD-Picture Card<sup>™</sup>

### ! CAUTION

The USB direct interface supports only a USB Flash memory drive, a PictBridge compatible camera, or a digital camera that uses the USB mass storage standard. Any other USB devices are not supported.

### The Photo Capture key lights



- **Photo Capture** light is on, the memory card or USB Flash memory drive is properly inserted.
- **Photo Capture** light is off, the memory card or USB Flash memory drive is not properly inserted.
- **Photo Capture** light is blinking, the memory card or USB Flash memory drive is being read or written to.

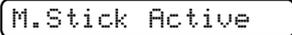
### ! CAUTION

DO NOT unplug the power cord or remove the memory card or USB Flash memory drive from the media drive (slot) or USB direct interface while the machine is reading or writing to the memory card or USB Flash memory drive (the **Photo Capture** key is blinking). **You will lose your data or damage the card.**

The machine can only read one device at a time so do not put more than one device in the machine at a time.

## How to print from a memory card or USB Flash memory drive

Before printing a photo you must first print a thumbnail index to choose the number of the photo you want to print. Follow the instructions below to start printing directly from your memory card or USB Flash memory drive:

- 1 Make sure you have put the memory card or USB Flash memory drive in the proper slot. For example, the LCD will show the following message:  
  

- 2 Press **Photo Capture**. For DPOF printing, see *DPOF printing* on page 69.
- 3 Press **▲** or **▼** to choose `Print Index`. Press **OK**.
- 4 Press **Color Start** to start printing the index sheet. Make a note of the image number you want to print. See *Print Index (Thumbnails)* on page 67.
- 5 To print images press **▲** or **▼** to choose `Print Images in ③` and then press **OK**. (See *Printing Photos* on page 68.)
- 6 Enter the image number and press **OK**.
- 7 Press **Color Start** to start printing.

## Print Index (Thumbnails)

The PhotoCapture Center® assigns numbers for images (such as NO.1, NO.2, NO.3, and so on).



→ NO.1  
DEI.JPG      01.01.2009  
100KB

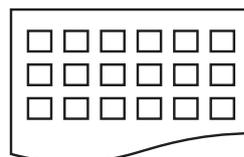
The PhotoCapture Center® does not recognize any other numbers or file names that your digital camera or computer has used to identify the pictures. You can print a thumbnail page. This will show all the pictures on the memory card or USB Flash memory drive.



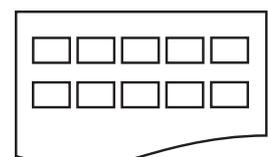
### Note

Only file names that are 8 characters or less will be printed correctly on the Index sheet.

- 1 Make sure you have put the memory card or USB Flash memory drive in the proper slot.  
Press  (**Photo Capture**).
- 2 Press **▲** or **▼** to choose `Print Index`. Press **OK**.
- 3 Press **▲** or **▼** to choose `6 Images/Line` or `5 Images/Line`. Press **OK**.



6 Images/Line



5 Images/Line

Print time for 5 Images/Line will be slower than 6 Images/Line, but the quality is better.

- 4 Press ▲ or ▼ to choose the type of paper you are using, Plain Paper, Inkjet Paper, Brother BP71 or Other Glossy. Press **OK**.
- 5 Press ▲ or ▼ to choose the paper size you are using, Letter or A4. Press **OK**.
- 6 Press **Color Start** to print.

## Printing Photos

Before you can print an individual image, you have to know the image number.

- 1 Make sure you have put the memory card or USB Flash memory drive in the proper slot.
- 2 Print the index first. (See *Print Index (Thumbnails)* on page 67.)  
Press  (**Photo Capture**).
- 3 Press ▲ or ▼ to choose **Print Images**. Press **OK**.



### Note

If your memory card contains valid DPOF information, the LCD will show DPOF Print:Yes. See *DPOF printing* on page 69.

- 4 Enter the image number that you want to print from the thumbnail index. Press **OK**.

No.: 1, 3, 6



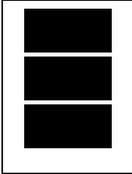
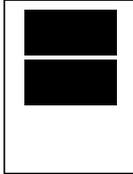
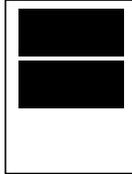
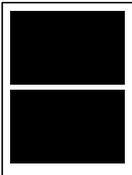
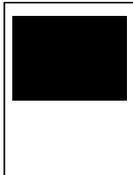
### Note

- Multiple numbers can be entered by using the **OK** key to separate numbers. For example **1, \*, 3, \*, 6** would print images 1, 3 and 6. The **#** key can be used to print a range of numbers, for example **1, #, 5** would print all images from 1 to 5.
- You can enter up to 12 characters (including commas) for the image numbers you want to print.

- 5 Do one of the following:
  - After you have chosen all the images you want to print, press **OK** to choose your settings. Go to step 6.
  - If you have already chosen your settings, press **Color Start**.
- 6 Press ▲ or ▼ to choose the type of paper you are using, Plain Paper, Inkjet Paper, Brother BP71 or Other Glossy. Press **OK**.
- 7 Press ▲ or ▼ to choose the paper size you are using, Letter, A4, 4"x6" or 5"x 7". Press **OK**.
  - If you choose Letter or A4, go to 8.
  - If you choose another size, go to 9.
  - If you have finished choosing settings, press **Color Start**.
- 8 Press ▲ or ▼ to choose the print size (3"x 4", 3.5"x 5", 4"x 6", 5"x 7", 6"x 8" or Max. Size). Press **OK**.

- 9 Do one of the following:
  - To choose the number of copies go to 10.
  - If you have finished choosing settings, press **Color Start**.
- 10 Enter the number of copies you want. Press **OK**.
- 11 Press **Color Start** to print.

The printing positions when using Letter are shown below.

1 3"x 4"	2 3.5"x 5"	3 4"x 6"
		
4 5"x 7"	5 6"x 8"	6 Max. Size
		

## DPOF printing

DPOF stands for Digital Print Order Format.

Major digital camera manufacturers (Canon Inc., Eastman Kodak Company, Fuji Photo Film Co. Ltd., Matsushita Electric Industrial Co. Ltd. and Sony Corporation) created this standard to make it easier to print images from a digital camera.

If your digital camera supports DPOF printing, you will be able to choose on the digital camera display the images and number of copies you want to print.

When the memory card (Memory Stick®, Memory Stick Pro™, SD, SDHC or xD-Picture Card™) with DPOF information is put into your machine, you can print the chosen image easily.

- 1 Firmly insert the memory cards into the proper slot.
 

SD Card Active

Press  (**Photo Capture**).
- 2 Press ▲ or ▼ to choose `Print Images`. Press **OK**.
- 3 If there is a DPOF file on the card, the LCD will show:
 

DPOF Print:Yes↓
- 4 Press ▲ or ▼ to choose `DPOF Print:Yes`. Press **OK**.
- 5 Press ▲ or ▼ to choose the type of paper you are using, Plain Paper, Inkjet Paper, Brother BP71 or Other Glossy. Press **OK**.

- 6 Press ▲ or ▼ to choose the paper size you are using, Letter, A4, 4"x6" or 5"x 7".  
Press **OK**.
  - If you chose Letter or A4, go to 7.
  - If you chose another size, go to 8.
  - If you have finished choosing settings, press **Color Start**.
- 7 Press ▲ or ▼ to choose the print size (3"x 4", 3.5"x 5", 4"x 6", 5"x 7", 6"x 8" or Max. Size).  
Press **OK**.
- 8 Press **Color Start** to print.



### Note

When using DPOF printing the print quality, brightness, contrast, cropping and borderless settings are not available.

An invalid DPOF file can occur if the print order that was created on the camera has been corrupted. Delete and recreate the print order using your camera to correct this problem.

For instructions on how to delete or recreate the print order, refer to your camera manufacturer's support website or accompanying documentation.

## PhotoCapture Center<sup>®</sup> print settings

These settings will remain until you change them again.

### Print quality

---

- 1 Press **Menu, 4, 1**.
- 2 Press ▲ or ▼ to choose Normal or Photo.  
Press **OK**.
- 3 Press **Stop/Exit**.

### Paper Options

---

#### Paper Type

- 1 Press **Menu, 4, 2**.
- 2 Press ▲ or ▼ to choose Plain Paper, Inkjet Paper, Brother BP71 or Other Glossy.  
Press **OK**.
- 3 Press **Stop/Exit**.

#### Paper Size

- 1 Press **Menu, 4, 3**.
- 2 Press ▲ or ▼ to choose the paper size you are using, Letter, A4, 4"x6" or 5"x 7".  
Press **OK**.
- 3 Press **Stop/Exit**.

## Print Size

This setting is available only when you choose Letter or A4 in the paper size setting.

- 1 Press **Menu**, **4**, **4**.
- 2 Press **▲** or **▼** to choose the print size you are using, 3"x 4", 3.5"x 5", 4"x 6", 5"x 7", 6"x 8" or Max. Size.  
Press **OK**.
- 3 Press **Stop/Exit**.

## Adjusting Brightness and Contrast and Color

### Brightness

- 1 Press **Menu**, **4**, **5**.
- 2 Press **▲** or **▼** to make a lighter or darker print.  
Press **OK**.
- 3 Press **Stop/Exit**.

### Contrast

You can choose the contrast setting. More contrast will make an image look sharper and more vivid.

- 1 Press **Menu**, **4**, **6**.
- 2 Press **▲** or **▼** to increase or decrease the contrast.  
Press **OK**.
- 3 Press **Stop/Exit**.

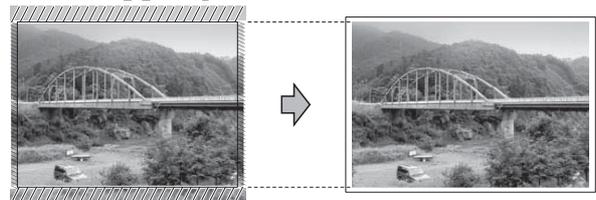
## Cropping

If your photo is too long or wide to fit the available space on your chosen layout, part of the image will be automatically cropped.

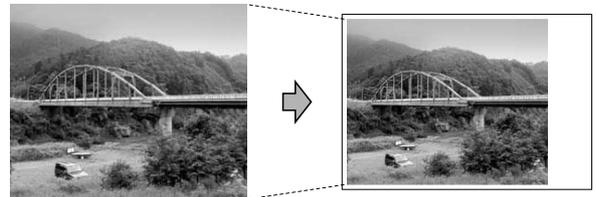
The default setting is **On**. If you want to print the whole image, turn this setting to **Off**. If you are also using the **Borderless** setting, turn **Borderless** to **Off**. (See *Borderless printing* on page 72.)

- 1 Press **Menu**, **4**, **7**.
- 2 Press **▲** or **▼** to choose **Off** (or **On**).  
Press **OK**.
- 3 Press **Stop/Exit**.

Cropping: On



Cropping: Off



## Borderless printing

This feature expands the printable area to the edges of the paper. Printing time will be slightly slower.

- 1 Press **Menu**, **4**, **8**.
- 2 Press **▲** or **▼** to choose *Off* (or *On*). Press **OK**.
- 3 Press **Stop/Exit**.

## Print Date

You can print the date if it is already in the data on your photo. The date will be printed on the lower right corner. If the data doesn't have the date information, you cannot use this function.

- 1 Press **Menu**, **4**, **9**.
- 2 Press **▲** or **▼** to choose *On* (or *Off*). Press **OK**.
- 3 Press **Stop/Exit**.



### Note

The DPOF setting on your camera must be turned off to use the *Print Date* feature.

## Scan to a memory card or USB Flash memory drive

You can scan black & white and color documents into a memory card or USB Flash memory drive. Black and white documents will be stored in PDF (\*.PDF) or TIFF file formats (\*.TIF). Color documents may be stored in PDF (\*.PDF) or JPEG (\*.JPG) file formats. The default setting is *Color 150 dpi* and the default file format is PDF. File names default to the current date that you set using the control panel keys. (For details, see the Quick Setup Guide.) For example, the fifth image scanned on July 1, 2009 would be named 07010905.PDF. You can change the color and quality.

Quality	Selectable File Format
Color 150 dpi	JPEG / PDF
Color 300 dpi	JPEG / PDF
Color 600 dpi	JPEG / PDF
B/W 200x100 dpi	TIFF / PDF
B/W 200 dpi	TIFF / PDF

- 1 Insert a Memory Stick<sup>®</sup>, Memory Stick Pro<sup>™</sup>, SD, SDHC, xD-Picture Card<sup>™</sup> or USB Flash memory drive into your machine.



### WARNING

DO NOT take out the memory card or USB Flash memory drive while **Photo Capture** is blinking to avoid damaging the card, USB Flash memory drive or data stored on the card.

- 2 Load your document.
- 3 Press  (**Scan**).

- 4 Press ▲ or ▼ to choose **Scan to Media**, do one of the following:
  - To change the quality press **OK** and go to step 5.
  - To start scanning press **Black Start** or **Color Start**.
- 5 Press ▲ or ▼ to choose the quality, and then press **OK**. (See *Changing the image quality* on page 73.)

Do one of the following:

  - To change the file type, go to step 6.
  - To start scanning press **Black Start** or **Color Start**.
- 6 Press ▲ or ▼ to choose the file type and then press **OK**. (See *Changing the black & white file format* on page 73 and *Changing the color file format* on page 73.)

Press **Black Start** or **Color Start**.

## Changing the image quality

---

- 1 Press **Menu, 4, 0, 1**.
- 2 Press ▲ or ▼ to choose B/W 200x100 dpi, B/W 200 dpi, Color 150 dpi, Color 300 dpi or Color 600 dpi.  
Press **OK**.
- 3 Press **Stop/Exit**.

## Changing the black & white file format

---

- 1 Press **Menu, 4, 0, 2**.
- 2 Press ▲ or ▼ to choose **TIFF** or **PDF**.  
Press **OK**.
- 3 Press **Stop/Exit**.

## Changing the color file format

---

- 1 Press **Menu, 4, 0, 3**.
- 2 Press ▲ or ▼ to choose **JPEG** or **PDF**.  
Press **OK**.
- 3 Press **Stop/Exit**.

## Understanding the Error Messages

Once you are familiar with the types of errors that can occur while you are using PhotoCapture Center<sup>®</sup>, you can easily identify and troubleshoot any problems.

### ■ Hub is Unusable.

This message will appear if a Hub or USB Flash memory drive with a Hub has been put into the USB direct interface.

### ■ Media Error

This message will appear if you put in a memory card that is either bad or not formatted, or when there is a problem with the media drive. To clear this error, take out the memory card.

### ■ No File

This message will appear if you try to access a memory card or USB Flash memory drive in the drive (slot) that does not contain a .JPG file.

### ■ Out of Memory

This message will appear if you are working with images that are too large for the machine's memory.

### ■ Media is Full.

This message will appear if you are trying to save more than 999 files in a memory card or USB Flash memory drive.

### ■ Unusable Device

This message will appear if a USB device or USB Flash memory drive that is not supported has been connected to the USB direct interface. (For more information, visit us at <http://solutions.brother.com>.)

This message will also appear if you connect a broken device to the USB direct interface.

## Printing photos directly from a PictBridge camera



Your Brother machine supports the PictBridge standard, allowing you to connect to and print photos directly from any PictBridge compatible digital camera.

If your camera is using the USB Mass Storage standard, you can also print photos from a digital camera without PictBridge. (See *Printing photos directly from a digital camera (without PictBridge)* on page 77.)

### PictBridge requirements

To avoid errors, remember the following points:

- The machine and the digital camera must be connected using a suitable USB cable.
- The image file extension must be .JPG (other image file extensions like .JPEG, .TIF, .GIF and so on will not be recognized).
- PhotoCapture Center<sup>®</sup> operations are not available when using the PictBridge feature.

### Setting your digital camera

Make sure your camera is in PictBridge mode. The following PictBridge settings may be available from the LCD of your PictBridge compatible camera.

Depending on your camera some of these settings may not be available.

Camera Menu Selections	Options
Paper Size	Letter, A4, 4"×6", Printer Settings (Default setting) <sup>2</sup>
Paper Type	Plain Paper, Glossy Paper, Inkjet Paper, Printer Settings (Default setting) <sup>2</sup>
Layout	Borderless: On, Borderless: Off, Printer Settings (Default setting) <sup>2</sup>
DPOF setting <sup>1</sup>	-
Print Quality	Normal, Fine, Printer Settings (Default setting) <sup>2</sup>
Print Date	On, Off, Printer Settings (Default setting) <sup>2</sup>

<sup>1</sup> See *DPOF printing* on page 76 for more details.

<sup>2</sup> If your camera is set to use the Printer Settings (Default setting), the machine will print your photo using the following settings.

Settings	Options
Paper Size	4"×6"
Paper Type	Glossy Paper
Layout	Borderless: On
Print Quality	Fine
Print Date	Off

- When your camera does not have any menu selections, this setting is also used.
- The names and availability of each setting depends on the specification of your camera.

Please refer to the documentation supplied with your camera for more detailed information on changing PictBridge settings.

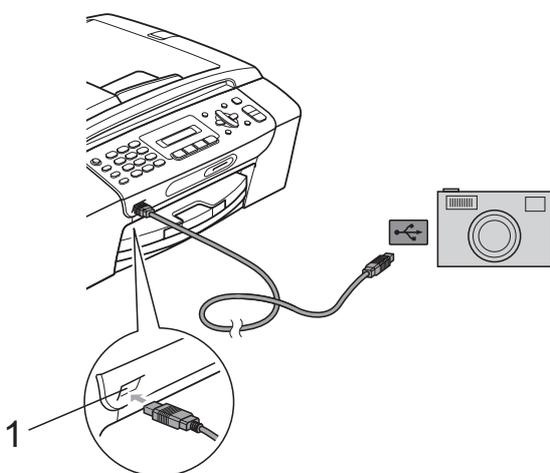
## Printing Images



### Note

Remove any memory cards or USB Flash memory drive from the machine before connecting a digital camera.

- 1 Make sure that your camera is turned off. Connect your camera to the USB direct interface (1) on the machine using the USB cable.



#### 1 USB direct interface

- 2 Turn on the camera. When the machine has recognized the camera, the LCD shows the following message:

Camera Connected

- 3 Choose the photo you want to print following the instructions from your camera. When the machine starts printing a photo, the LCD will show `Printing`.



### WARNING

To prevent damage to your machine, do not connect any device other than a digital camera or USB Flash memory drive to the USB direct interface.

## DPOF printing

DPOF stands for Digital Print Order Format.

Major digital camera manufacturers (Canon Inc., Eastman Kodak Company, Fuji Photo Film Co. Ltd., Matsushita Electric Industrial Co. Ltd. and Sony Corporation) created this standard to make it easier to print images from a digital camera.

If your digital camera supports DPOF printing, you will be able to choose on the digital camera display the images and number of copies you want to print.



### Note

An invalid DPOF File error can occur if the print order that was created on the camera has been corrupted. Delete and recreate the print order using your camera to correct this problem. For instructions on how to delete or recreate the print order, refer to your camera manufacturer's support website or accompanying documentation.

## Printing photos directly from a digital camera (without PictBridge)

If your camera is using the USB Mass Storage standard, you can connect your camera in storage mode. This enables you to print photos from your camera.

(If you would like to print photos in PictBridge mode, see *Printing photos directly from a PictBridge camera* on page 75.)

### Note

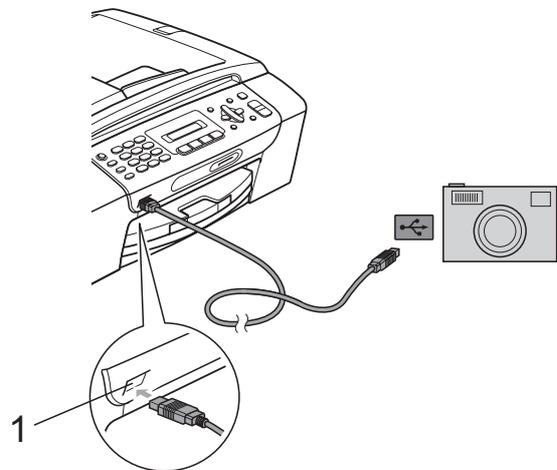
The name, availability and operation differ among digital cameras. Please refer to the documentation supplied with your camera for detailed information, such as how to switch from PictBridge mode to USB mass storage mode.

## Printing Images

### Note

Remove any memory cards or a USB Flash memory drive from the machine before connecting a digital camera.

- 1 Make sure that your camera is turned off. Connect your camera to the USB direct interface (1) on the machine using the USB cable.



### 1 USB direct interface

- 2 Turn on the camera.
- 3 Follow the steps in *Printing Photos* on page 68.

### WARNING

To prevent damage to your machine, do not connect any device other than a digital camera or USB Flash memory drive to the USB direct interface.

## Understanding the Error Messages

Once you are familiar with the types of errors that can occur while you are printing from a camera, you can easily identify and troubleshoot any problems.

### ■ Out of Memory

This message will appear if you are working with images that are too large for the machine's memory.

### ■ Unusable Device

This message will appear if you connect a camera that is not using the USB Mass Storage standard. This message will also appear if you connect a broken device to the USB direct interface.

(For more detailed solutions see *Error and maintenance messages* on page 101.)



# Software

---

Software features

80

# 13

## Software features

The CD-ROM includes the Software User's Guide for features available when connected to a computer (for example, printing and scanning). The guide has easy to use links that, when clicked, will take you directly to a particular section.

You can find information on these features:

- Printing
- Scanning
- ControlCenter3 (for Windows®)
- ControlCenter2 (for Macintosh®)
- Faxing from your computer
- PhotoCapture Center®

### How to read the HTML User's Guide

This is a quick reference to use the HTML User's Guide.

(For Windows®)



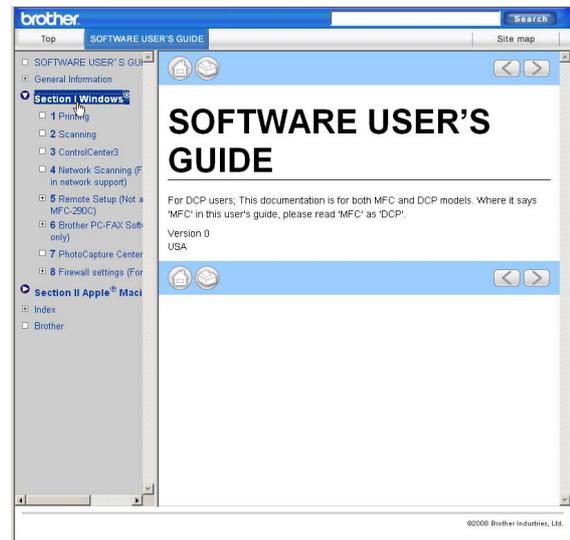
#### Note

If you have not installed the software, see *Viewing Documentation* on page 2.

- 1 From the **Start** menu, point to **Brother**, **MFC-XXXX** (where **XXXX** is your model number) from the programs group, then click **User's Guides in HTML format**.
- 2 Click **SOFTWARE USER'S GUIDE** from the top menu.

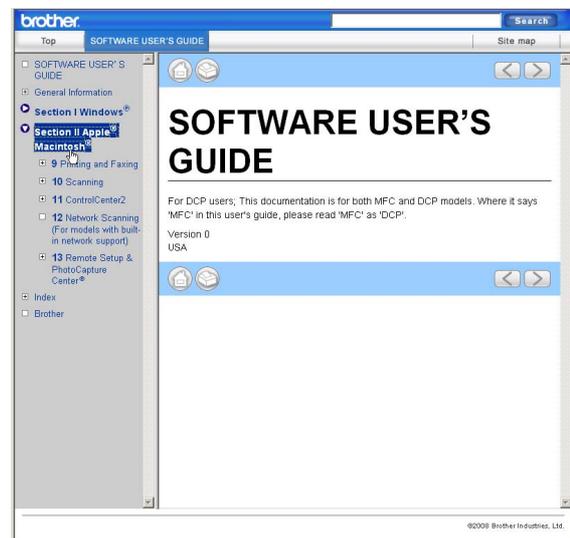


- 3 Click the heading you would like to view from the list at the left of the window.



(For Macintosh®)

- 1 Make sure your Macintosh® is turned on. Insert the Brother CD-ROM into your CD-ROM drive.
- 2 Double-click the **Documentation** icon.
- 3 Double-click your language folder, and then double-click the top.html file.
- 4 Click **SOFTWARE USER'S GUIDE** in the top menu, and then click the heading you would like to read from the list at the left of the window.





# Appendixes

---

<b>Safety and Legal</b>	82
<b>Troubleshooting and Routine Maintenance</b>	94
<b>Menu and Features</b>	120
<b>Specifications</b>	130
<b>Glossary</b>	143

# A

## Safety and Legal

### Choosing a location

Put your machine on a flat, stable surface that is free of vibration and shocks, such as a desk. Put the machine near a telephone wall jack and a standard AC power outlet. Choose a location where the temperature remains between 50° F and 95° F (10° C and 35° C).



#### WARNING

DO NOT put the machine near heaters, air conditioners, refrigerators, medical equipment, chemicals or water.

DO NOT connect your machine to AC power outlets controlled by wall switches or automatic timers.



#### CAUTION

- Avoid placing your machine in a high-traffic area.
- Avoid placing your machine on a carpet.
- DO NOT put the machine near heaters, air conditioners, refrigerators, medical equipment, chemicals or water.
- DO NOT expose the machine to direct sunlight, excessive heat, moisture, or dust.
- DO NOT connect your machine to AC power outlets controlled by wall switches or automatic timers.
- Disruption of power can wipe out information in the machine's memory.
- DO NOT connect your machine to AC power outlets on the same circuit as large appliances or other equipment that might disrupt the power supply.
- Avoid interference sources, such as other cordless telephone systems or speakers.



## To use the machine safely

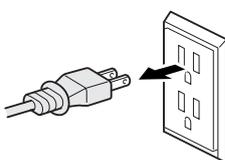
Please keep these instructions for later reference and read them before attempting any maintenance.



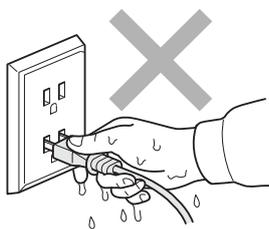
### WARNING



There are high voltage electrodes inside the machine. Before you clean the inside of the machine, make sure you have unplugged the telephone line cord first and then the power cord from the AC power outlet. Doing this will prevent an electrical shock.



DO NOT handle the plug with wet hands. Doing this might cause an electrical shock.



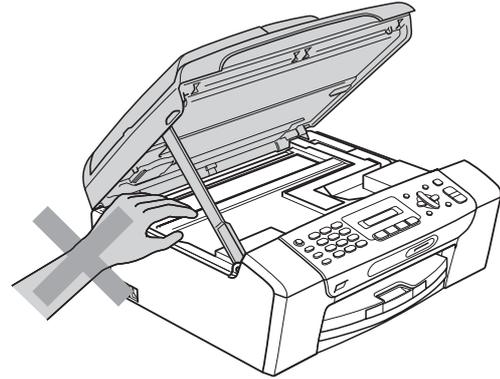
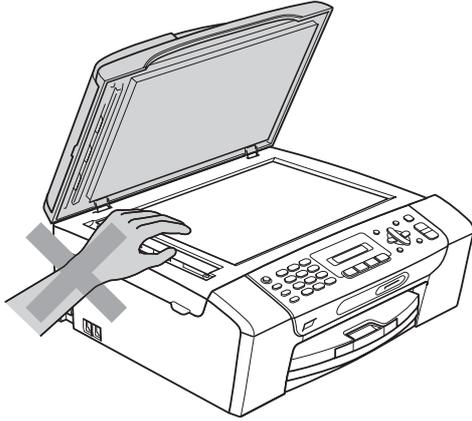
Always make sure the plug is fully inserted.



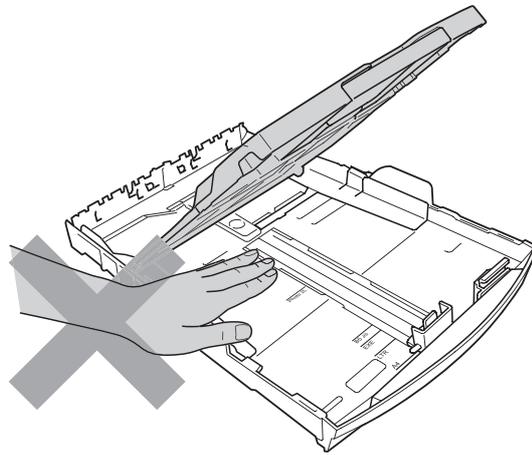
DO NOT pull on the middle of the AC power cord. Doing this might cause an electrical shock.



DO NOT put your hands on the edge of the machine under the document cover or the scanner cover. Doing this may cause injury.

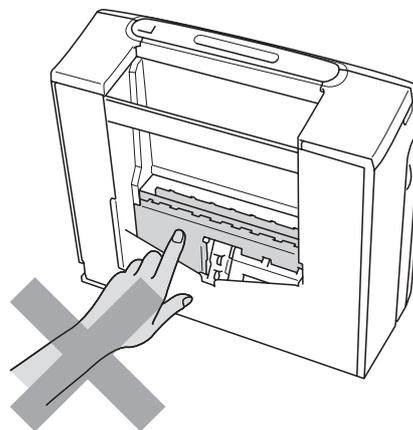
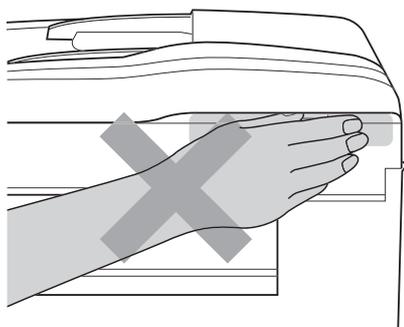


DO NOT put your hands on the edge of the paper tray under the paper tray cover. Doing this may cause injury.

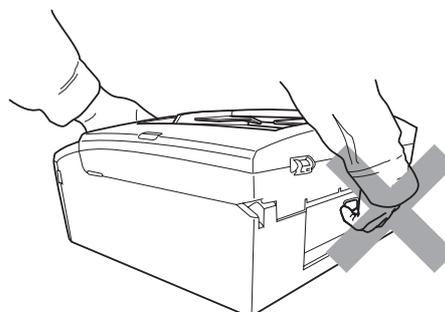
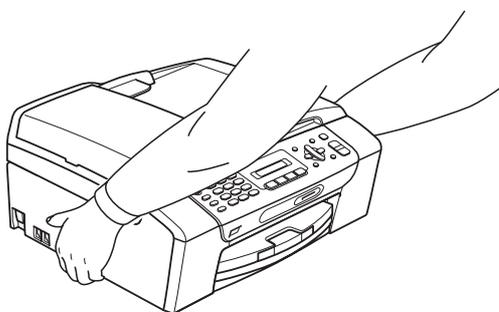




DO NOT touch the area shaded in the illustration. Doing this may cause injury.



When moving the machine you must lift it from the base, by placing a hand at each side of the unit as shown in the illustration. DO NOT carry the machine by holding the scanner cover or the Jam Clear Cover.



DO NOT use flammable substances, any type of spray, liquid or aerosol cleaners to clean the inside or outside of the machine. Doing this may cause a fire or electrical shock.





If the machine becomes hot, releases smoke, or generates any strong smells, immediately unplug the machine from the AC power outlet. Call Brother Customer Service. (See *Brother numbers* on page i.)

---



If metal objects, water or other liquids get inside the machine, immediately unplug the machine from the AC power outlet. Call Brother Customer Service. (See *Brother numbers* on page i.)

---



Use caution when installing or modifying telephone lines. Never touch telephone wires or terminals that are not insulated unless the telephone line has been unplugged at the wall jack. Never install telephone wiring during a lightning storm. Never install a telephone wall jack in a wet location.

---



This product must be installed near an AC power outlet that is easily accessible. In case of an emergency, you must unplug the power cord from the AC power outlet to shut off the power completely.

---



This product should be connected to an AC power source within the range indicated on the rating label. DO NOT connect it to a DC power source or inverter. If you are not sure, contact a qualified electrician.

---



Always make sure the plug is fully inserted.

---



DO NOT use the machine if the power cord is frayed or damaged, doing so may cause a fire.

---



To reduce the risk of shock or fire, use only a No. 26 AWG or larger telecommunication line cord.

---

 **CAUTION**

Lightning and power surges can damage this product! We recommend that you use a quality surge protection device on the AC power line and on the telephone line, or unplug the cords during a lightning storm.

 **WARNING****IMPORTANT SAFETY INSTRUCTIONS**

When using your telephone equipment, basic safety precautions should always be followed to reduce the risk of fire, electric shock and injury to people, including the following:

- 1 DO NOT use this product near water, for example, near a bath tub, wash bowl, kitchen sink or washing machine, in a wet basement or near a swimming pool.
- 2 Avoid using this product during an electrical storm. There may be a remote risk of electric shock from lightning.
- 3 DO NOT use this product to report a gas leak in the vicinity of the leak.
- 4 DO NOT dispose of batteries in a fire. They may explode. Check with local codes for possible special disposal instructions.
- 5 Use only the power cord provided with the machine.

## Important safety instructions

---

- 1 Read all of these instructions.
- 2 Save them for later reference.
- 3 Follow all warnings and instructions marked on the product.
- 4 DO NOT use this product near water.
- 5 DO NOT place this product on an unstable cart, stand, or table. The product may fall, causing serious damage to the product.
- 6 Slots and openings in the cabinet and the back or bottom are provided for ventilation. To ensure reliable operation of the product and to protect it from overheating, these openings must not be blocked or covered. The openings should never be blocked by placing the product on a bed, sofa, rug, or other similar surface. This product should never be placed near or over a radiator or heater. This product should never be placed in a built-in installation unless proper ventilation is provided.
- 7 DO NOT allow anything to rest on the power cord. DO NOT place this product where people can walk on the cord.
- 8 If an extension cord is used with this product, make sure that the total ampere ratings of the products plugged into the extension cord do not exceed the extension cord ampere rating. Also, make sure that the total of all products plugged into the AC power outlet does not exceed 15 amperes (USA only).
- 9 DO NOT place anything in front of the machine that will block received faxes. DO NOT place anything in the path of received faxes.
- 10 Wait until pages have exited the machine before picking them up.
- 11 Never push objects of any kind into this product through cabinet slots, since they may touch dangerous voltage points or short out parts resulting in the risk of fire or electric shock. Never spill liquid of any kind on the product. DO NOT attempt to service this product yourself because opening or removing covers may expose you to dangerous voltage points and other risks and may void your warranty. Refer all servicing to a Brother Authorized Service Center. For the location of your nearest Brother Authorized Service Center, please call the following:  
**In USA:** 1-877-BROTHER (1-877-276-8437)  
**In Canada:** 1-877-BROTHER  
(See *Brother numbers* on page i.)
- 12 Unplug this product from the AC power outlet and refer all servicing to Brother Authorized Service Personnel under the following conditions:
  - When the power cord is damaged or frayed.
  - If liquid has been spilled into the product.
  - If the product has been exposed to rain or water.
  - If the product does not operate normally when the operating instructions are followed, adjust only those controls that are covered by the operating instructions. Improper adjustment of other controls may result in damage and will often require extensive work by a qualified technician to restore the product to normal operation.
  - If the product has been dropped or the cabinet has been damaged.
  - If the product exhibits a distinct change in performance, indicating a need for service.

- 13 To protect your product against power surges, we recommend the use of a power protection device (Surge Protector).
- 14 To reduce the risk of fire, electric shock and injury to people, note the following:
- DO NOT use this product near appliances that use water, a swimming pool, or in a wet basement.
  - DO NOT use the machine during an electrical storm (there is the remote possibility of an electrical shock) or to report a gas leak in the vicinity of the leak.
- 15 Caution - To reduce the risk of fire, use only No.26 AWG or larger telecommunication line cord.

## **Standard telephone and FCC Notices (These notices are in effect on models sold and used in the United States only.)**

### **When programming emergency numbers or making test calls to emergency numbers:**

- Remain on the line and briefly explain to the dispatcher the reason for the call before hanging up.
- Perform these activities in the off-peak hours, such as early morning or late evening.

This equipment complies with Part 68 of the FCC rules and the requirements adopted by the ACTA. On the backside of this equipment is a label that contains, among other information, a product identifier in the format US: AAAEQ##TXXXX. If requested, this number must be provided to the telephone company.

You may safely connect this equipment to the telephone line by means of a standard modular jack, USOC RJ11C.

A plug and jack used to connect this equipment to the premises wiring and telephone network must comply with the applicable FCC Part 68 rules and requirements adopted by the ACTA. A compliant telephone cord and modular plug is provided with this product. It is designed to be connected to a compatible modular jack that is also compliant. See installation instructions for details.

The REN is used to determine the number of devices that may be connected to a telephone line. Excessive RENs on a telephone line may result in the devices not ringing in response to an incoming call. In most but not all areas, the sum of RENs should not exceed five (5.0). To be certain of the number of devices that may be connected to a line, as determined by the total RENs, contact the local telephone company. For products approved after July 23, 2001, the REN for this product is part of the product identifier that has the format US:AAAEQ##TXXXX. The digits represented by ## are the REN without a decimal point (e.g., 06 is a REN of 0.6). For earlier products, the REN is separately shown on the label.

If this equipment causes harm to the telephone network, the telephone company will notify you in advance that temporary discontinuance of service may be required. But if advance notice isn't practical, the telephone company will notify the customer as soon as possible. Also, you will be advised of your right to file a complaint with the FCC if you believe it is necessary.

The telephone company may make changes in its facilities, equipment, operations or procedures that could affect the operation of the equipment. If this happens the telephone company will provide advance notice in order for you to make necessary modifications to maintain uninterrupted service.

If trouble is experienced with this equipment, for repair or warranty information, please contact Brother Customer Service. (See *Brother numbers* on page i.) If the equipment is causing harm to the telephone network, the telephone company may request that you disconnect the equipment until the problem is resolved.

Connection to party line service is subject to state tariffs. Contact the state public utility commission, public service commission or corporation commission for information.

If your home has specially wired alarm equipment connected to the telephone line, ensure the installation of this equipment does not disable your alarm equipment. If you have questions about what will disable alarm equipment, call your telephone company or a qualified installer.

If you are not able to solve a problem with your machine, call Brother Customer Service. (See *Brother numbers* on page i.)



## WARNING

For protection against the risk of electrical shock, always disconnect all cables from the wall outlet before servicing, modifying or installing the equipment.

This equipment may not be used on coin service lines provided by the telephone company or connected to party lines.

**Brother cannot accept any financial or other responsibilities that may be the result of your use of this information, including direct, special or consequential damages. There are no warranties extended or granted by this document.**

**This machine has been certified to comply with FCC standards, which are applied to the USA only.**

## **Federal Communications Commission (FCC) Declaration of Conformity (USA only)**

Responsible Party: Brother International Corporation  
100 Somerset Corporate Boulevard  
Bridgewater, NJ 08807-0911 USA  
TEL: (908) 704-1700

declares, that the products

Product Name: MFC-290C

comply with Part 15 of the FCC Rules. Operation is subject to the following two conditions: (1) This device may not cause harmful interference, and (2) this device must accept any interference received, including interference that may cause undesired operation.

This equipment has been tested and found to comply with the limits for a Class B digital device, pursuant to Part 15 of the FCC Rules. These limits are designed to provide reasonable protection against harmful interference in a residential installation. This equipment generates, uses, and can radiate radio frequency energy and, if not installed and used in accordance with the instructions, may cause harmful interference to radio communications. However, there is no guarantee that interference will not occur in a particular installation. If this equipment does cause harmful interference to radio or television reception, which can be determined by turning the equipment off and on, the user is encouraged to try to correct the interference by one or more of the following measures:

- Reorient or relocate the receiving antenna.
- Increase the separation between the equipment and receiver.
- Connect the equipment into an outlet on a circuit different from that to which the receiver is connected.
- Call the dealer or an experienced radio/TV technician for help.

#### IMPORTANT

Changes or modifications not expressly approved by Brother Industries, Ltd. could void the user's authority to operate the equipment.

## Industry Canada Compliance Statement (Canada only)

This Class B digital apparatus complies with Canadian ICES-003.

Cet appareil numérique de la classe B est conforme à la norme NMB-003 du Canada.

## International ENERGY STAR® Compliance Statement

The purpose of the International ENERGY STAR® Program is to promote the development and popularization of energy-efficient office equipment.

As an ENERGY STAR® Partner, Brother Industries, Ltd. has determined that this product meets the ENERGY STAR® guidelines for energy efficiency.



# Legal limitations for copying

Color reproductions of certain documents are illegal and may result in either criminal or civil liability. This memorandum is intended to be a guide rather than a complete listing of every possible prohibition. In case of doubt, we suggest that you check with counsel as to any particular questionable documents.

The following documents issued by the United States/Canadian Government or any of its Agencies may not be copied:

- Money
- Bonds or other certificates of indebtedness
- Certificates of Deposit
- Internal Revenue Stamps (canceled or uncanceled)
- Selective Service or draft papers
- Passports
- United States/Canadian Postage Stamps (canceled or uncanceled)
- Food Stamps
- Immigration Papers
- Checks or drafts drawn by Governmental agencies
- Identifying badges or insignias

Copyrighted works cannot be copied. Sections of a copyrighted work can be copied for 'fair use'. Multiple copies would indicate improper use.

Works of art should be considered the equivalent of copyrighted works.

Licenses and Certificates of Title to motor vehicles may not be copied under certain state/provincial laws.

## Trademarks

The Brother logo is a registered trademark of Brother Industries, Ltd.

Brother is a registered trademark of Brother Industries, Ltd.

Multi-Function Link is a registered trademark of Brother International Corporation.

© 2008 Brother Industries, Ltd. All rights reserved.

Windows Vista is either a registered trademark or a trademark of Microsoft Corporation in the United States and other countries.

Microsoft, Windows and Windows Server are registered trademarks of Microsoft Corporation in the United States and/or other countries.

Macintosh and TrueType are registered trademarks of Apple Inc.

Nuance, the Nuance logo, PaperPort and ScanSoft are trademarks or registered trademarks of Nuance Communications, Inc. or its affiliates in the United States and/or other countries.

Presto! PageManager is a registered trademark of NewSoft Technology Corporation.

Microdrive is a trademark of International Business Machines Corporation.

Memory Stick is a registered trademark of Sony Corporation.

SanDisk is a licensee of the SD and miniSD trademarks.

xD-Picture Card is a trademark of Fujifilm Co. Ltd., Toshiba Corporation and Olympus Optical Co. Ltd.

PictBridge is a trademark.

Memory Stick Pro, Memory Stick Pro Duo, Memory Stick Duo and MagicGate are trademarks of Sony Corporation.

FaceFilter Studio is a trademark of Reallusion, Inc.

Each company whose software title is mentioned in this manual has a Software License Agreement specific to its proprietary programs.

**All other brand and product names mentioned in this User's Guide are registered trademarks of their respective companies.**

# B

# Troubleshooting and Routine Maintenance

## Troubleshooting

### IMPORTANT

For technical help, you must call the country where you bought the machine. Calls must be made **from within** that country.

If you think there is a problem with your machine, check the chart below and follow the troubleshooting tips.

Most problems can be easily resolved by yourself. If you need additional help, the Brother Solutions Center offers the latest FAQs and troubleshooting tips. Visit us at <http://solutions.brother.com>.

## If you are having difficulty with your machine

### Printing

Difficulty	Suggestions
No printout	Check the interface cable connection on both the machine and your computer. (See the <i>Quick Setup Guide</i> .)
	Check that the machine is plugged in and that the <b>On/Off</b> key is on.
	Check to see if the LCD is showing an error message. (See <i>Error and maintenance messages</i> on page 101.)
	If the LCD says <b>Cannot Print and Replace XX Ink</b> (where XX is an abbreviation of the empty color), see <i>Replacing the ink cartridges</i> on page 110.
	Check that the correct printer driver has been installed and chosen.
	Make sure the machine is online. Click <b>Start</b> and then <b>Printers and Faxes</b> . Choose ' <b>Brother MFC-XXXX</b> ' (where XXXX is your model name)', and make sure that 'Use Printer Offline' is unchecked.
	When you choose the <b>Print Odd Pages</b> and <b>Print Even Pages</b> settings, you may see a print error message on your computer, as the machine pauses during the printing process. The error message will disappear after the machine re-starts printing.

## Printing (continued)

Difficulty	Suggestions
Poor print quality	Check the print quality. (See <i>Checking the print quality</i> on page 115.)
	Make sure that the Printer Driver or Paper Type setting in the menu matches the type of paper you are using. (See <i>Printing for Windows®</i> or <i>Printing and Faxing for Macintosh®</i> in the Software User's Guide on the CD-ROM and <i>Paper Type</i> on page 20.)
	Make sure that your ink cartridges are fresh. The following may cause ink to clog: <ul style="list-style-type: none"> <li>■ The expiration date written on the cartridge package has passed. (Cartridges stay usable for up to two years if kept in their original packaging.)</li> <li>■ The ink cartridge was in your machine over six months.</li> <li>■ The ink cartridge may not have been stored properly before use.</li> </ul> If you are using generic ink, use Genuine Brother Innobella™ Ink.
	Try using the recommended types of paper. (See <i>Acceptable paper and other print media</i> on page 13.)
	The recommended environment for your machine is between 68° F to 91° F (20° C to 33° C).
White horizontal lines appear in text or graphics.	Clean the print head. (See <i>Cleaning the print head</i> on page 115.)
	Make sure you are using Brother Original ink cartridges.
	Try using the recommended types of paper. (See <i>Acceptable paper and other print media</i> on page 13.)
The machine prints blank pages.	Clean the print head. (See <i>Cleaning the print head</i> on page 115.)
	Make sure you are using Brother Original ink cartridges.
Characters and lines are stacked.	Check the printing alignment. (See <i>Checking the print alignment</i> on page 116.)
Printed text or images are skewed.	Make sure the paper is loaded properly in the paper tray and the paper side guides are adjusted correctly. (See <i>Loading paper and other print media</i> on page 8.)
	Make sure the Jam Clear Cover is closed properly.
Smudged stain at the top center of the printed page.	Make sure the paper is not too thick or curled. (See <i>Acceptable paper and other print media</i> on page 13.)
Smudged stain at the right or left corner of the printed page.	Make sure the paper is not curled when you print on the back side of the paper with the <b>Print Odd Pages</b> and <b>Print Even Pages</b> settings.
Printing appears dirty or ink seems to run.	Make sure you are using the proper types of paper. (See <i>Acceptable paper and other print media</i> on page 13.) Don't handle the paper until the ink is dry.
	If you are using photo paper, make sure that you have set the correct paper type. If you are printing a photo from your PC, set the <b>Media Type</b> in the <b>Basic</b> tab of the printer driver.
	Make sure you are using Brother Original ink cartridges.
Stains appear on the reverse side or at the bottom of the page.	Make sure the printer platen is not dirty with ink. (See <i>Cleaning the machine printer platen</i> on page 114.)
	Make sure you are using Brother Original ink cartridges.
	Make sure you are using the paper support flap. (See <i>Loading paper and other print media</i> on page 8.)
The machine prints dense lines on the page.	Check <b>Reverse Order</b> in the <b>Basic</b> tab of the printer driver.

## Printing (continued)

Difficulty	Suggestions
The printouts are wrinkled.	In the printer driver <b>Basic</b> tab, click <b>Color Settings</b> , and uncheck <b>Bi-Directional Printing</b> for Windows® or <b>Bi-Directional Printing</b> for Macintosh®.
	Make sure you are using Brother Original ink cartridges.
Cannot perform 'Page Layout' printing.	Check that the paper size setting in the application and in the printer driver are the same.
Print speed is too slow.	Try changing the printer driver setting. The highest resolution needs longer data processing, sending and printing time. Try the other quality settings in the printer driver <b>Basic</b> tab.
	Turn the borderless feature off. Borderless printing is slower than normal printing. (See <i>Printing for Windows®</i> or <i>Printing and Faxing for Macintosh®</i> in the Software User's Guide on the CD-ROM.)
Photo paper does not feed properly.	When you print on Brother Photo paper, load one extra sheet of the same photo paper in the paper tray. An extra sheet has been included in the paper package for this purpose.
	Clean the paper pick-up roller. (See <i>Cleaning the paper pick-up roller</i> on page 114.)
Machine feeds multiple pages	Make sure the paper is loaded properly in the paper tray. (See <i>Loading paper and other print media</i> on page 8.)
	Check that more than two types of paper are not loaded in the paper tray at any one time.
Printed pages are not stacked neatly.	Make sure you are using the paper support flap. (See <i>Loading paper and other print media</i> on page 8.)
Machine does not print from Adobe Illustrator.	Try to reduce the print resolution. (See <i>Printing for Windows®</i> or <i>Printing and Faxing for Macintosh®</i> in the Software User's Guide on the CD-ROM.)

## Printing Received Faxes

Difficulty	Suggestions
Condensed print and white streaks across the page or the top and bottom of sentences are cut off.	You probably had a bad connection, with static or interference on the telephone line. Ask the other party to send the fax again.
Vertical black lines when receiving.	The sender's scanner may be dirty. Ask the sender to make a copy to see if the problem is with the sending machine. Try receiving from another fax machine.
Received color fax prints only in black & white.	Replace the color ink cartridges that are empty or nearly empty, and then ask the other person to send the color fax again. (See <i>Replacing the ink cartridges</i> on page 110.)
Left and Right margins are cut off or a single page is printed on two pages.	Turn on Auto Reduction. (See <i>Printing a reduced incoming fax</i> on page 37.)

## Telephone Line or Connections

Difficulty	Suggestions
Dialing does not work. (No dial tone)	Check that the machine is plugged in and switched on.
	Check all line cord connections. Make sure the telephone line cord is plugged into the telephone wall jack and the LINE jack of the machine.
	Change Tone/Pulse setting. (See <i>Quick Setup Guide</i> .)
	Send a fax manually and wait to hear the fax receiving tones before you press <b>Black Start</b> or <b>Color Start</b> . (See <i>Sending a fax manually</i> on page 31.)
The machine does not answer when called.	Make sure the machine is in the correct receiving mode for your setup. (See <i>Choose the correct Receive Mode</i> on page 33.) Check for a dial tone. If possible, call your machine to hear it answer. If there is still no answer, check that the telephone cord is plugged into the telephone wall jack and the LINE jack of the machine. If there is no ringing when you call your machine, ask your telephone company to check the line.

## Receiving Faxes

Difficulty	Suggestions
Cannot receive a fax	Check all line cord connections. Make sure the telephone line cord is plugged into the telephone wall jack and the LINE jack of the machine.
	Make sure the machine is in the correct receiving mode for your setup. (See <i>Choose the correct Receive Mode</i> on page 33.)
	If you often have interference on the telephone line, try changing the menu setting of Compatibility to <i>Basic (for VoIP)</i> . (See <i>Telephone line interference</i> on page 100.)

## Sending Faxes

Difficulty	Suggestions
Cannot send a fax	Check all line cord connections. Make sure the telephone line cord is plugged into the telephone wall jack and the LINE jack of the machine.
	Make sure that the Fax  key is illuminated. (See <i>Entering Fax mode</i> on page 26.)
	Ask the other party to check that the receiving machine has paper.
	Print the Transmission Verification Report and check for an error. (See <i>Reports</i> on page 54.)
Transmission Verification Report says 'Result:NG' or 'Result:ERROR'.	There is probably temporary noise or static on the line. Try sending the fax again. If you send a PC FAX message and get 'Result:NG' on the Transmission Verification Report, your machine may be out of memory. If the problem continues, ask the telephone company to check your telephone line.
	If you often get transmission errors due to possible interference on the telephone line, try changing the menu setting of Compatibility to <i>Basic (for VoIP)</i> . (See <i>Telephone line interference</i> on page 100.)
Poor fax send quality.	Try changing your resolution to <i>Fine</i> or <i>S.Fine</i> . Make a copy to check your machine's scanner operation. If the copy quality is not good, clean the scanner. (See <i>Cleaning the scanner</i> on page 113.)
Vertical black lines when sending.	If the copy you made shows the same problem, clean the scanner. (See <i>Cleaning the scanner</i> on page 113.)

## Handling Incoming Calls

Difficulty	Suggestions
The machine 'Hears' a voice as a CNG Tone.	If Easy Receive is set to On, your machine is more sensitive to sounds. It may mistakenly interpret certain voices or music on the line as a fax machine calling and respond with fax receiving tones. Deactivate the machine by pressing <b>Stop/Exit</b> . Try avoiding this problem by turning Easy Receive Off. ( See <i>Easy Receive</i> on page 37.)
Sending a Fax Call to the machine.	If you answered at the machine, press <b>Black Start</b> and hang up at once. If you answered on an external or extension telephone, press your Fax Receive Code (default setting is *51). When your machine answers, hang up.
Custom features on a single line.	If you have Call Waiting, Call Waiting/Caller ID, Voice Mail, an alarm system or other custom feature on a single telephone line with your machine, it may create a problem sending or receiving faxes.  <b>For example:</b> If you subscribe to Call Waiting or some other custom service and it signal comes through the line while your machine is sending or receiving a fax, the signal can temporarily interrupt or disrupt the faxes. Brother's ECM feature should help overcome this problem. This condition is related to the telephone system industry and is common to all devices that send and receive information on a single, shared line with custom features. If avoiding a slight interruption is crucial to your business, a separate telephone line with no custom features is recommended.

## Menu Setting Difficulties

Difficulty	Suggestions
The machine beeps when you try to access the Setup Send or Setup Receive menu.	If the Fax  key is not illuminated, press it to turn on Fax mode. The Setup Send or Setup Receive setting is available only when the machine is in Fax mode.

## Copying Difficulties

Difficulty	Suggestions
Cannot make a copy	Make sure that the Copy  key is illuminated. (See <i>Entering Copy mode</i> on page 56.)
Vertical streaks appear in copies	If you see vertical streaks on copies, clean the scanner. (See <i>Cleaning the scanner</i> on page 113.)
Poor copy results when using the ADF	Try using the scanner glass. (See <i>Using the scanner glass</i> on page 17.)
Vertical black line appears in copies	Vertical black lines or streaks on copies are typically caused by dirt or correction fluid on the scanner. Clean the glass strip and scanner glass and the white bar and white plastic above them. (See <i>Cleaning the scanner</i> on page 113.)
Fit to Page does not work properly.	Make sure the document is not skewed on the scanner glass.

## Scanning Difficulties

Difficulty	Suggestions
TWAIN/WIA errors appear when starting to scan.	Make sure the Brother TWAIN/WIA driver is chosen as the primary source. In PaperPort™ 11SE with OCR, click <b>File, Scan or Get Photo</b> and click <b>Select</b> to choose the Brother TWAIN/WIA driver.
OCR does not work.	Try increasing the scanner resolution.
Poor scanning results when using the ADF.	Try using the scanner glass. (See <i>Using the scanner glass</i> on page 17.)

## Software Difficulties

Difficulty	Suggestions
Cannot install software or print	Run the <b>Repair MFL-Pro Suite</b> program on the CD-ROM. This program will repair and reinstall the software.
'Device Busy'	Make sure the machine is not showing an error message on the LCD.
Cannot print images from FaceFilter Studio.	To use FaceFilter Studio, you must install the FaceFilter Studio application from the CD-ROM supplied with your machine. To install FaceFilter Studio see the <i>Quick Setup Guide</i> .  Also, before you start FaceFilter Studio for the first time, you must make sure your Brother machine is turned on and connected to your computer. This will allow you to access all the functions of FaceFilter Studio.

## PhotoCapture Center® Difficulties

Difficulty	Suggestions
Removable Disk does not work properly.	<ol style="list-style-type: none"> <li>1 Have you installed the Windows® 2000 update? If not, do the following:                             <ol style="list-style-type: none"> <li>1) Unplug the USB cable.</li> <li>2) Install the Windows® 2000 update using one of the following methods.                                     <ul style="list-style-type: none"> <li>■ Install MFL-Pro Suite from the CD-ROM. (See the <i>Quick Setup Guide</i>.)</li> <li>■ Download the latest service pack from the Microsoft Web site.</li> </ul> </li> <li>3) Wait about 1 minute after you restart the PC, and then connect the USB cable.</li> </ol> </li> <li>2 Take out the memory card or USB Flash memory drive and put it back in again.</li> <li>3 If you have tried 'Eject' from within Windows®, take out the memory card or USB Flash memory drive before you continue.</li> <li>4 If an error message appears when you try to eject the memory card or USB Flash memory drive, it means the card is being accessed. Wait a while and then try again.</li> <li>5 If all of the above do not work, turn off your PC and machine, and then turn them on again. (You will have to unplug the power cord of the machine to turn it off.)</li> </ol>
Cannot access Removable Disk from Desktop icon.	Make sure that you have correctly inserted the memory card or USB Flash memory drive.

## Dial Tone

---

Setting the dial tone to Detection will shorten the dial detect pause.

- 1 Press **Menu, 0, 5**.
- 2 Press **▲** or **▼** to choose `Detection` or `No Detection`. Press **OK**.
- 3 Press **Stop/Exit**.

## Telephone line interference

---

If you are having problems sending or receiving a fax due to possible interference on the telephone line, we recommend that you adjust the Equalization for compatibility to reduce the modem speed for fax operations.

- 1 Press **Menu, 2, 0, 2**.
- 2 Press **▲** or **▼** to choose `Normal` (or `Basic(for VoIP)`).
  - `Basic(for VoIP)` reduces the modem speed to 9600 bps. Unless interference is a recurring problem on your telephone line, you may prefer to use it only when needed.
  - `Normal` sets the modem speed at 14400 bps. (Default)

Press **OK**.

- 3 Press **Stop/Exit**.



### Note

---

When you change the compatibility to `Basic(for VoIP)`, the ECM feature is only available for color fax sending.

---

## Error and maintenance messages

As with any sophisticated office product, errors may occur. If this happens, your machine identifies the error and shows an error message. The most common error and maintenance messages are shown below.

You can correct most errors and routine maintenance messages by yourself. If you need more help, the Brother Solutions Center offers the latest FAQs and troubleshooting tips.

Visit us at <http://solutions.brother.com>.

Error Message	Cause	Action
B&W Print Only	<p>One or more of the color ink cartridges are empty.</p> <p>While this message appears on the LCD, each operation works in the following way:</p> <ul style="list-style-type: none"> <li>■ <b>Printing</b> If you click <b>Grayscale</b> in the Advanced tab of the printer driver you can use the machine as a black &amp; white printer for approximately four weeks depending on the number of pages you print.</li> <li>■ <b>Copying</b> If the paper type is set to Plain Paper, Inkjet Paper or Transparency you can make copies in black &amp; white.</li> <li>■ <b>Faxing</b> If the paper type is set to Plain Paper, Inkjet Paper or Transparency the machine will receive and print faxes in black &amp; white.  If a sending machine has a color fax, the machine's 'handshake' will ask that the fax be sent as black &amp; white.</li> </ul> <p>If the paper type is set to Other Glossy or Brother BP71, the machine will stop all print operations. If you unplug the machine, or take out the empty ink cartridge, you cannot use the machine until you change to a new ink cartridge.</p>	<p>Replace the empty ink cartridge. (See <i>Replacing the ink cartridges</i> on page 110.)</p>

Error Message	Cause	Action
Cannot Detect	You installed a new ink too quickly and the machine couldn't detect it.	Take out the new ink cartridge and re-install it slowly until it clicks.
	If you are using generic ink the machine cannot detect the ink cartridge.	Use a new Genuine Brother Innobella® Ink. If the error message is not cleared, call Brother Customer Service.
	An ink cartridge is not installed properly.	Take out the new ink cartridge and re-install it slowly until it clicks.
Cannot Print Replace XX Ink	One or more of the ink cartridges are empty. The machine will stop all print operations. While memory is available, black & white faxes will be stored in the memory. If a sending machine has a color fax, the machine's 'handshake' will ask that the fax be sent as black & white. If the sending machine has the ability to convert it, the color fax will be stored in the memory as a black & white fax.	Replace the empty ink cartridges. (See <i>Replacing the ink cartridges</i> on page 110.)
Clean Unable XX	The machine has a mechanical problem.  —OR—  A foreign object such as a clip or ripped paper is in the machine.	Open the scanner cover and look on the left, middle and right hand side under the covers for foreign objects and paper scraps. If the error message continues, see <i>Transferring your faxes or Fax Journal report</i> on page 106 before disconnecting the machine so you will not lose any important messages. Then, disconnect the machine from the power for several minutes and then reconnect it.
Close Ink Cover	The ink cartridge cover is not completely closed.	Firmly close the ink cartridge cover until it clicks.
Comm.Error	Poor telephone line quality caused a communication error.	Send the fax again or connect the machine to another telephone line. If the problem continues, call the telephone company and ask them to check your telephone line.
Cover is Open	The scanner cover is not closed completely.	Lift the scanner cover and then close it again.
Data Remaining	Print data is left in the machine's memory.	Press <b>Stop/Exit</b> . The machine will cancel the job and clear it from the memory. Try to print again.
Disconnected	The other person or other person's fax machine stopped the call.	Try to send or receive again.
Document Jam	The document was not inserted or fed properly, or the document scanned from the ADF was too long.	See <i>Using the ADF</i> on page 17. See <i>Document jam</i> on page 106.
DR Mode in Use	The machine is set to Distinctive Ring mode. You cannot change the Receive Mode from Manual to another mode.	Set Distinctive Ring to off. (See <i>Turning off Distinctive Ring</i> on page 42.)

Error Message	Cause	Action
High Temperature	The print head is too warm.	Allow the machine to cool down.
Hub is Unusable.	A Hub or USB Flash memory drive with Hub has been connected to the USB direct interface.	A Hub or USB Flash memory drive with Hub are not supported. Unplug the device from the USB direct interface.
Init Unable XX	The machine has a mechanical problem.  —OR— A foreign object such as a clip or ripped paper is in the machine.	Open the scanner cover and look on the left, middle and right hand side under the covers for foreign objects and paper scraps. If the error message continues, see <i>Transferring your faxes or Fax Journal report</i> on page 106 before disconnecting the machine so you will not lose any important messages. Then, disconnect the machine from the power for several minutes and then reconnect it.
Ink Low Black Ink Low Yellow Ink Low Cyan Ink Low Magenta	One or more ink cartridges are running out of ink. If a sending machine has a color fax, your machine's 'handshake' will ask that the fax is sent as black & white. If the sending machine has the ability to convert it, the color fax will be printed at your machine as a black & white fax.	Order a new ink cartridge. You can continue printing until the LCD shows <i>Cannot Print</i> . (See <i>Ordering accessories and supplies</i> on page ii and <i>Replacing the ink cartridges</i> on page 110.)
Low Temperature	The print head is too cold.	Allow the machine to warm up.
Media Error	The memory card is either corrupted, improperly formatted, or there is a problem with the memory card.	Put the card firmly into the slot again to make sure it is in the correct position. If the error remains, check the media drive (slot) of the machine by putting in another memory card that you know is working.
Media is Full.	The memory card or USB flash memory drive you are using already contains 999 files.	Your machine can only save to your memory card or USB flash memory drive if it contains less than 999 files. Try deleting unused files to free some space and try again.
No Caller ID	There is no incoming call history. You did not receive calls or you have not subscribed to the Caller ID service from your telephone company.	If you want to use the Caller ID feature call your telephone company. (See <i>Caller ID</i> on page 43.)
No Cartridge	An ink cartridge is not installed properly.	Take out the new ink cartridge and re-install it slowly until it clicks. (See <i>Replacing the ink cartridges</i> on page 110.)
No File	The memory card or USB Flash memory drive in the media drive does not contain a .JPG file.	Put the correct memory card or USB Flash memory drive into the slot again.

Error Message	Cause	Action
No Paper Fed	The machine is out of paper or paper is not properly loaded in the paper tray.	Do one of the following: <ul style="list-style-type: none"> <li>■ Refill the paper in the paper tray, and then press <b>Black Start</b> or <b>Color Start</b>.</li> <li>■ Remove the paper and load it again and then press <b>Black Start</b> or <b>Color Start</b> (See <i>Loading paper and other print media</i> on page 8.)</li> </ul>
	The paper is jammed in the machine.	Remove the jammed paper by following the steps in <i>Printer jam or paper jam</i> on page 107.
No Response/Busy	The number you dialed does not answer or is busy.	Verify the number and try again.
Not Registered	You tried to access a Speed Dial number that is not programmed.	Set up the Speed Dial number. (See <i>Storing Speed Dial numbers</i> on page 51.)
Out of Memory	The machine's memory is full.	<b>Fax sending or copy operation in progress</b> Press <b>Stop/Exit</b> and wait until the other operations in progress finish and then try again.
	The memory card or USB Flash memory drive you are using does not have enough free space to scan the documents.	Delete unused files from your memory card or USB Flash memory drive to make some free space and then try again.
Paper Jam	Paper is jammed in the machine.	Open the Jam Clear Cover (at the back of the machine) and pull out the jammed paper by following the steps in <i>Printer jam or paper jam</i> on page 107. Make sure the paper length guide is set to the paper side.
Print Unable XX	The machine has a mechanical problem.  —OR— A foreign object such as a clip or ripped paper is in the machine.	Open the scanner cover and look on the left, middle and right hand side under the covers for foreign objects and paper scraps. If the error message continues, see <i>Transferring your faxes or Fax Journal report</i> on page 106 before disconnecting the machine so you will not lose any important messages. Then, disconnect the machine from the power for several minutes and then reconnect it.
Replace XX Ink Cannot Print	One or more of the ink cartridges are empty. The machine will stop all print operations. While memory is available, black & white faxes will be stored in the memory. If a sending machine has a color fax, the machine's 'handshake' will ask that the fax be sent as black & white. If the sending machine has the ability to convert it, the color fax will be stored in the memory as a black & white fax.	Replace the empty ink cartridges. (See <i>Replacing the ink cartridges</i> on page 110.)

Error Message	Cause	Action
Scan Unable XX	<p>The machine has a mechanical problem.</p> <p>—OR—</p> <p>A foreign object such as a clip or ripped paper is in the machine.</p>	<p>Open the scanner cover and look on the left, middle and right hand side under the covers for foreign objects and paper scraps. If the error message continues, see <i>Transferring your faxes or Fax Journal report</i> on page 106 before disconnecting the machine so you will not lose any important messages. Then, disconnect the machine from the power for several minutes and then reconnect it.</p>
Unusable Device Disconnect device from front connector. Turn the machine off & on by pressing On/Off button on control panel.	<p>A broken device has been connected to the USB direct interface.</p>	<p>Unplug the device from the USB direct interface, then press <b>On/Off</b> to turn the machine off and then on again.</p>
Unusable Device Please Disconnect USB Device.	<p>A USB device or USB Flash memory drive that is not supported has been connected to the USB direct interface.</p> <p>(For more information, visit us at <a href="http://solutions.brother.com">http://solutions.brother.com</a>.)</p>	<p>Unplug the device from the USB direct interface.</p>
Wrong Paper Size	<p>Paper is not the correct size.</p>	<p>Check that the machine's Paper Size setting matches the size of paper in the tray. (See <i>Paper Size</i> on page 20.)</p>

## Transferring your faxes or Fax Journal report

---

If the LCD shows:

Clean Unable XX

Init Unable XX

Print Unable XX

Scan Unable XX

We recommend transferring your faxes to another fax machine. (See *Transferring faxes to another fax machine* on page 106.)

You can also transfer the Fax Journal report to see if there are any faxes you need to transfer. (See *Transferring faxes to another fax machine* on page 106.)



### Note

If there is an error message on the machine's LCD, after the faxes have been transferred, disconnect the machine from the power source for several minutes, and then reconnect it.

---

## Transferring faxes to another fax machine

If you have not set up your Station ID, you cannot enter fax transfer mode. (See *Set your station ID* in the Quick Setup Guide.)

- 1 Press **Menu**, **9**, **0**, **1**.
- 2 Do one of the following:
  - If the LCD shows `No Data`, there are no faxes left in the machine's memory.  
Press **Stop/Exit**.
  - If the LCD shows `Enter Fax No.`, enter the fax number to which faxes will be forwarded.
- 3 Press **Black Start**.

## Transferring Fax Journal report to another fax machine

If you have not set up your Station ID, you cannot enter fax transfer mode. (See *Set your station ID* in the Quick Setup Guide.)

- 1 Press **Menu** **9**, **0**, **2**.
- 2 Enter the fax number to which the Fax Journal report will be forwarded.
- 3 Press **Black Start**.

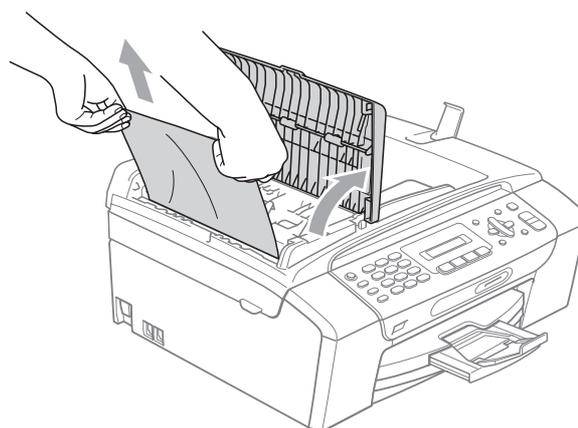
## Document jam

---

Documents can jam in the ADF unit if they are not inserted or fed properly, or if they are too long. Follow the steps below to clear a document jam.

### Document is jammed in the top of the ADF unit

- 1 Take out any paper from the ADF that is not jammed.
- 2 Open the ADF cover.
- 3 Pull the jammed document up and to the left.



- 4 Close the ADF cover.
- 5 Press **Stop/Exit**.



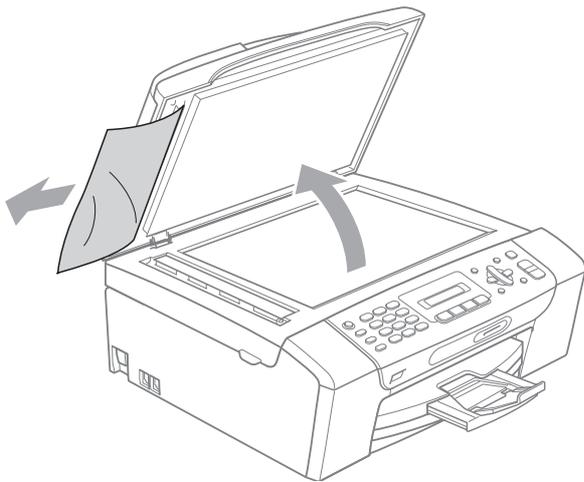
### Note

To avoid document jams close the ADF cover properly by pressing it down gently in the middle.

---

## Document is jammed inside the ADF unit

- 1 Take out any paper from the ADF that is not jammed.
- 2 Lift the document cover.
- 3 Pull the jammed document out to the left.

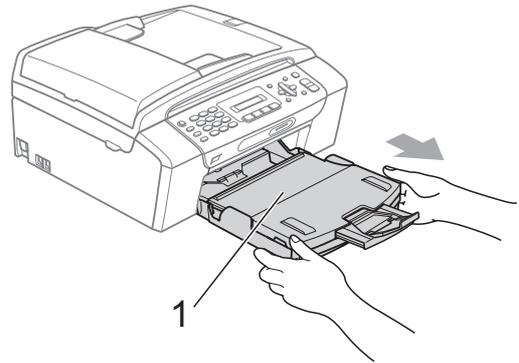


- 4 Close the document cover.
- 5 Press **Stop/Exit**.

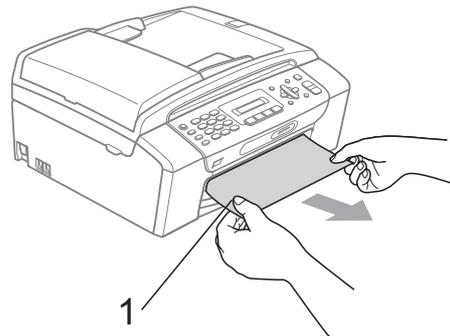
## Printer jam or paper jam

Take out the jammed paper depending on where it is jammed in the machine.

- 1 Pull the paper tray (1) out of the machine.

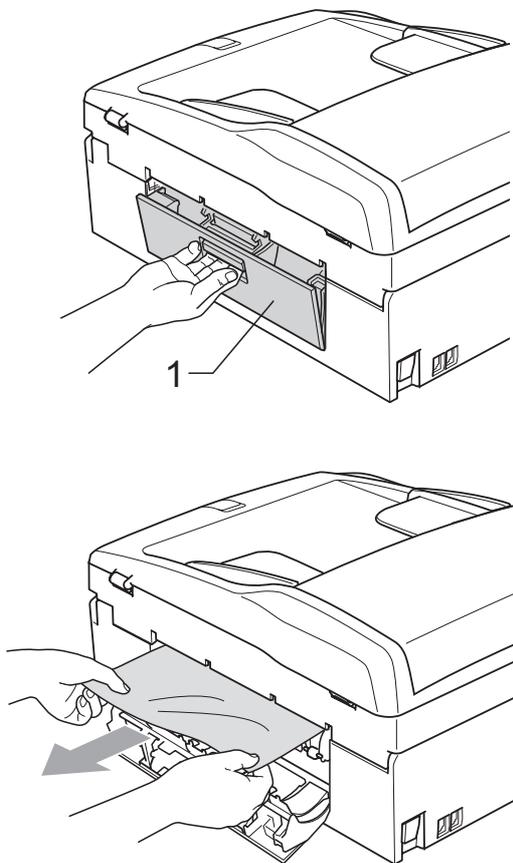


- 2 Pull out the jammed paper (1) and press **Stop/Exit**.

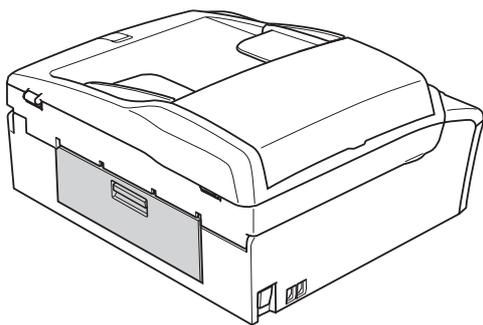


- 3 Reset the machine by lifting the scanner cover from the front of the machine and then close it.
  - If you cannot remove the jammed paper from the front of the machine, or the error message still appears on the LCD after you have removed the jammed paper, please go to the next step.

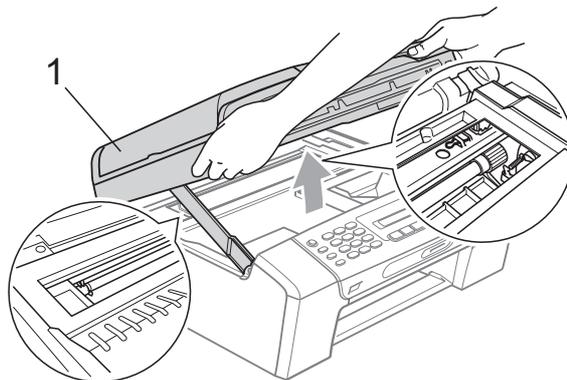
- 4 Open the Jam Clear Cover (1) at the back of the machine. Pull the jammed paper out of the machine.



- 5 Close the Jam Clear Cover. Make sure the cover is set properly.



- 6 Lift the scanner cover (1) from the front side of the machine until it locks securely into the open position. Make sure that there is no jammed paper left in the corners of the machine under the plastic covers.



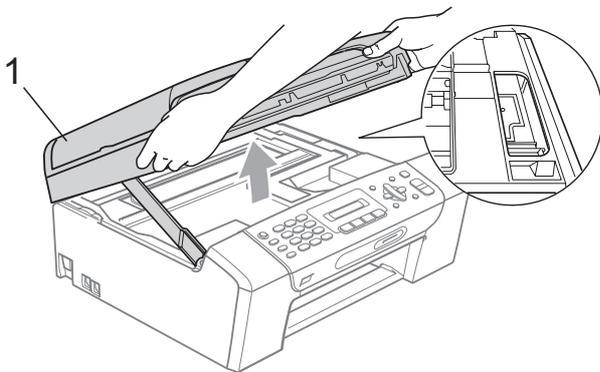
**! CAUTION**

Before you unplug the machine from the power source, you can transfer your faxes that are stored in the memory to your PC or another fax machine so you will not lose any important messages. (See *Transferring your faxes* or *Fax Journal report* on page 106.)



**Note**

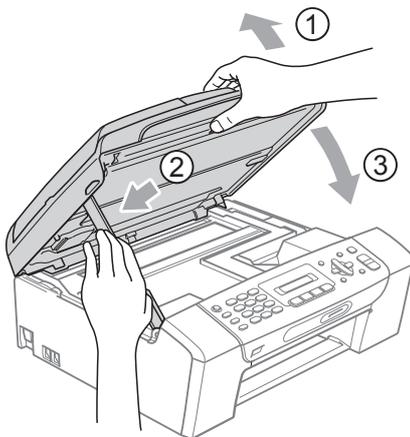
- If the paper is jammed under the print head, unplug the machine from the power source, and then move the print head to take out the paper.
- If the print head is at the right corner like the illustration, you cannot move the print head. Press **Stop/Exit** till print head moves to the middle. Then unplug the machine from the power source, and take out the paper.



- If ink gets onto your skin or clothing, immediately wash it off with soap or detergent.

**7**

Lift the scanner cover to release the lock (1). Gently push the scanner cover support down (2) and close the scanner cover (3) using both hands.



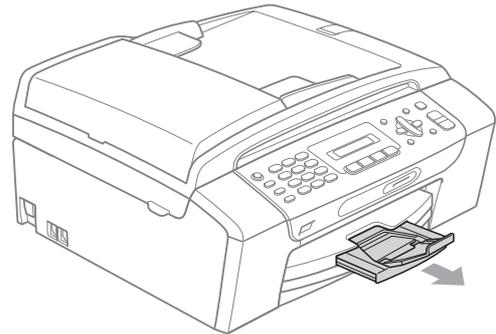
**8**

Push the paper tray firmly back into the machine. While holding the paper tray in place, pull out the paper support until it clicks and unfold the paper support flap.



**Note**

Make sure you pull out the paper support until it clicks.



# Routine maintenance

## Replacing the ink cartridges

Your machine is equipped with an ink dot counter. The ink dot counter automatically monitors the level of ink in each of the 4 cartridges. When the machine detects an ink cartridge is running out of ink, the machine will tell you with a message on the LCD.

The LCD will tell you which ink cartridge is low or needs replacing. Be sure to follow the LCD prompts to replace the ink cartridges in the correct order.

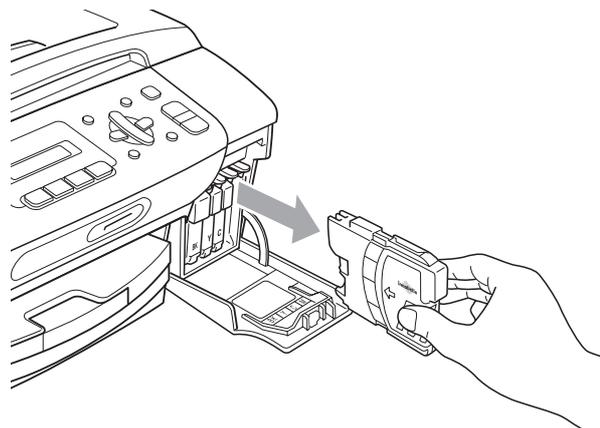
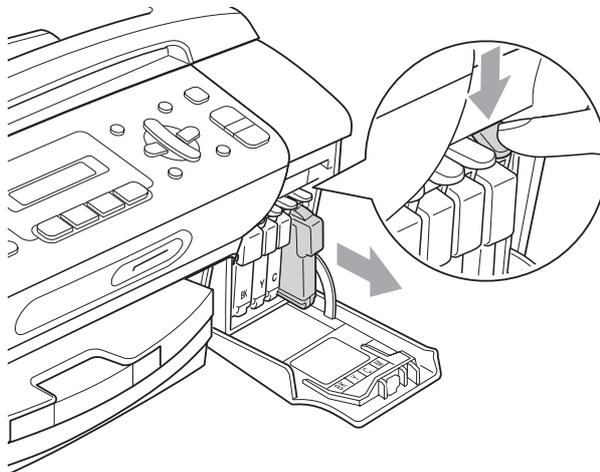
Even though the machine tells you that an ink cartridge is empty, there will be a small amount of ink left in the ink cartridge. It is necessary to keep some ink in the ink cartridge to prevent air from drying out and damaging the print head assembly.

### ! CAUTION

Brother strongly recommends that you do not refill the ink cartridges provided with your machine. We also strongly recommend that you continue to use only Genuine Brother Brand replacement ink cartridges. Use or attempted use of potentially incompatible ink and/or cartridges in the Brother machine may cause damage to the machine and/or may result in unsatisfactory print quality. Our warranty coverage does not apply to any problem that is caused by the use of unauthorized third party ink and/or cartridges. To protect your investment and obtain premium performance from the Brother machine, we strongly recommend the use of Genuine Brother Supplies.

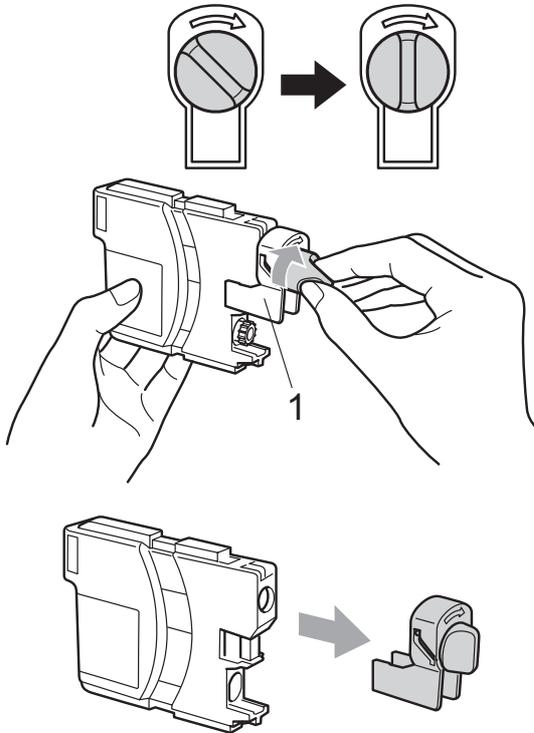
- 1 Open the ink cartridge cover.  
If one or more ink cartridges are empty, for example Black, the LCD shows  
Cannot Print and  
Replace BK Ink.

- 2 Press down to unlock the release lever and take out the ink cartridge for the color shown on the LCD.

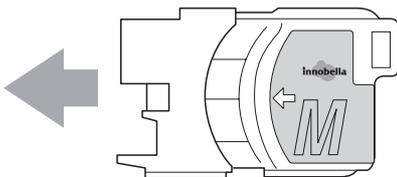


- 3 Open the new ink cartridge bag for the color shown on the LCD, and then take out the ink cartridge.

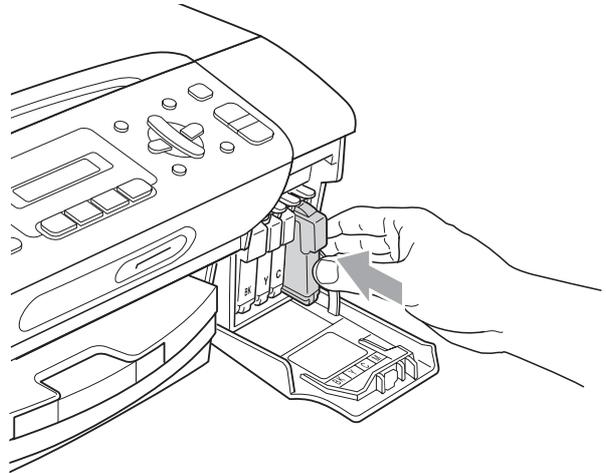
- 4 Turn the green knob on the protective yellow cap clockwise until it clicks to release the vacuum seal, then remove the cap (1).



- 5 Each color has its own correct position. Insert the ink cartridge in the direction of the arrow on the label.



- 6 Gently push the ink cartridge in until it clicks, and then close the ink cartridge cover.



- 7 The machine will automatically reset the ink dot counter.



#### Note

- If you replaced an ink cartridge, for example Black, the LCD may ask you to verify that it was a brand new one (Did You Change Blck?). For each new cartridge you installed, press **1** (Yes) to automatically reset the ink dot counter for that color. If the ink cartridge you installed is not a brand new one, be sure to press **2** (No).
- If the LCD shows No Cartridge or Cannot Detect after you install the ink cartridges, check that the ink cartridges are installed properly.



#### WARNING

If ink gets in your eyes, wash them out with water at once and call a doctor if you are concerned.

**! CAUTION**

DO NOT take out ink cartridges if you do not need to replace them. If you do so, it may reduce the ink quantity and the machine will not know the quantity of ink left in the cartridge.

DO NOT touch the cartridge insertion slots. If you do so, the ink may stain your skin.

If ink gets on your skin or clothing immediately wash it off with soap or detergent.

If you mix the colors by installing an ink cartridge in the wrong position, clean the print head several times after correcting the cartridge installation.

Once you open an ink cartridge, install it in the machine and use it up within six months of installation. Use unopened ink cartridges by the expiration date written on the cartridge package.

DO NOT dismantle or tamper with the ink cartridge, this can cause the ink to leak out of the cartridge.

## Cleaning the outside of the machine

**! CAUTION**

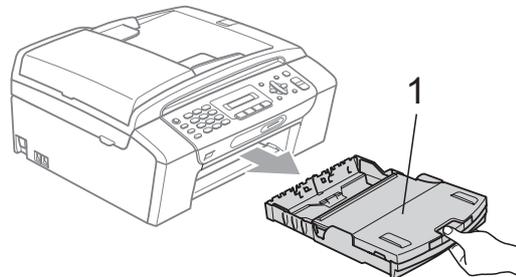
Use neutral detergents. Cleaning with volatile liquids such as thinner or benzine will damage the outside surface of the machine.

DO NOT use cleaning materials that contain ammonia.

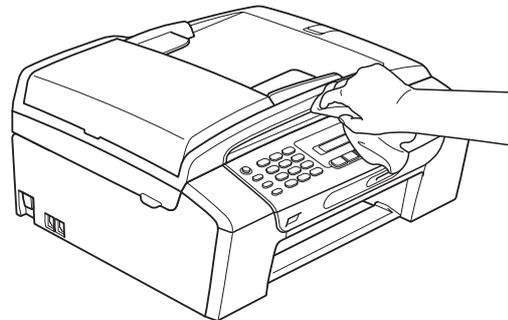
DO NOT use isopropyl alcohol to remove dirt from the control panel. It may crack the panel.

### Clean the outside of the machine as follows:

- 1 Pull the paper tray (1) completely out of the machine.

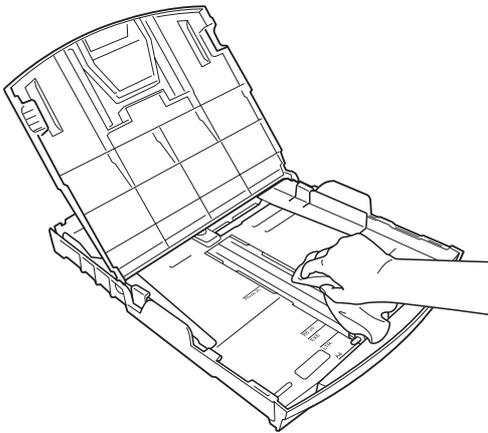


- 2 Wipe the outside of the machine with a soft cloth to remove dust.



- 3 Lift the paper tray cover and remove anything that is stuck inside the paper tray.

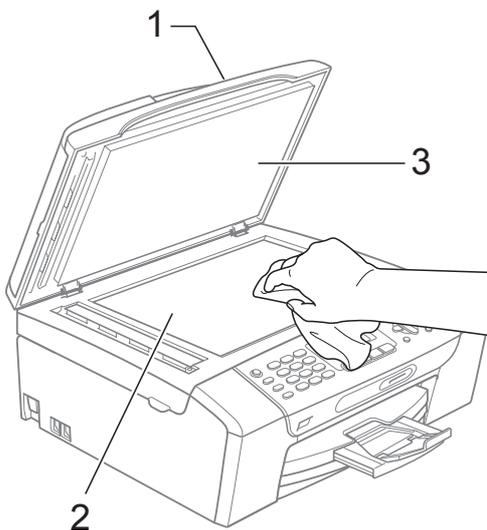
- 4 Wipe the inside and outside of the paper tray with a soft cloth to remove dust.



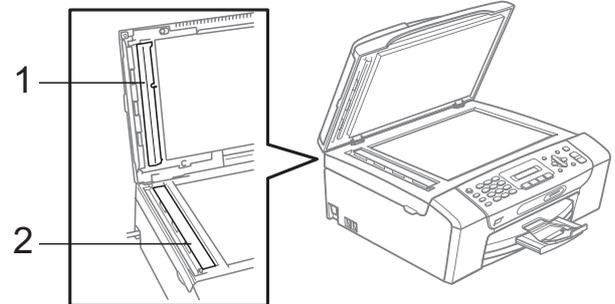
- 5 Close the paper tray cover and put the paper tray firmly back in the machine.

## Cleaning the scanner

- 1 Lift the document cover (1). Clean the scanner glass (2) and the white plastic (3) with a soft lint-free cloth moistened with a non-flammable glass cleaner.



- 2 In the ADF unit, clean the white bar (1) and the glass strip (2) with a soft lint-free cloth moistened with a non-flammable glass cleaner.



### Note

In addition to cleaning the scanner glass and glass strip with a non-flammable glass cleaner, run your finger tip over the scanner glass and glass strip to see if you can feel anything on it. If you feel dirt or debris, clean the scanner glass and glass strip again concentrating on that area. You may need to repeat the cleaning process three or four times. To test, make a copy after each cleaning.

## Cleaning the machine printer platen

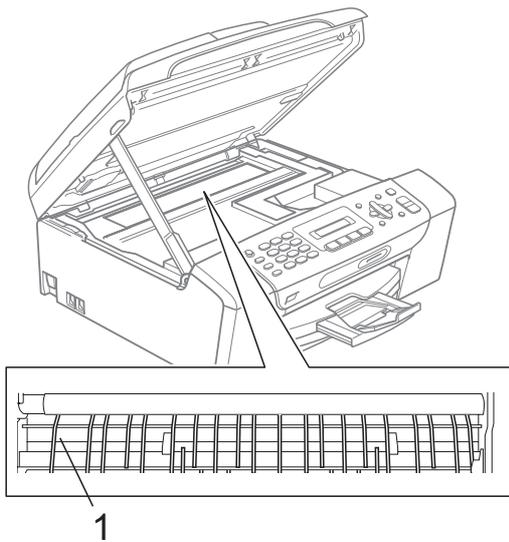


### WARNING

Be sure to unplug the machine from the AC power outlet before cleaning the printer platen (1).

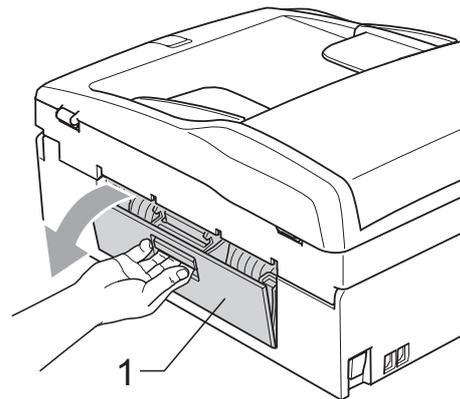
If ink is scattered on or around the printer platen, wipe it off with a soft, dry, lint-free cloth.

- 1 Lift the scanner cover until it locks securely into the open position.
- 2 Clean the machine printer platen (1).

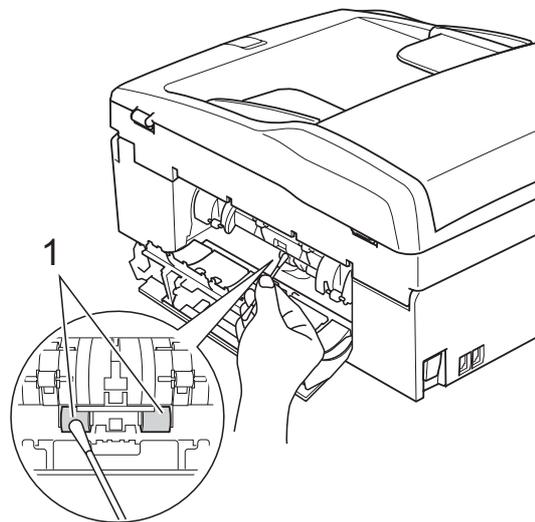


## Cleaning the paper pick-up roller

- 1 Pull the paper tray completely out of the machine.
- 2 Unplug the machine from the AC power outlet and open the Jam Clear Cover (1) at the back of the machine.



- 3 Clean the Paper Pick-up Roller (1) with isopropyl alcohol on a cotton swab.



- 4 Close the Jam Clear Cover back. Make sure the cover is set properly.
- 5 Put the paper tray firmly back in the machine.
- 6 Re-connect the power cord.

## Cleaning the print head

To maintain good print quality, the machine will automatically clean the print head. You can start the cleaning process manually if there is a print quality problem.

Clean the print head and ink cartridges if you get a horizontal line or blank text in the text or graphics on your printed pages. You can clean Black only, three colors at a time (Yellow/Cyan/Magenta), or all four colors at once.

Cleaning the print head consumes ink. Cleaning too often uses ink unnecessarily.

### CAUTION

DO NOT touch the print head. Touching the print head may cause permanent damage and may void the print head's warranty.

- 1 Press **Menu**, **7**, **2**.
- 2 Press **▲** or **▼** to choose **Black**, **Color** or **All**. Press **OK**.  
The machine cleans the print head. When cleaning is finished, the machine will go back to standby mode automatically.



### Note

If you clean the print head at least five times and the print has not improved, try installing a new Genuine Brother Brand replacement cartridge for each problem color. Try cleaning the print head again up to five more times. If the print has not improved call Brother Customer Service (See *Brother numbers* on page i).

## Checking the print quality

If faded or streaked colors and text appear on your output, some of the nozzles may be clogged. You can check this by printing the Print Quality Check Sheet and looking at the nozzle check pattern.

- 1 Press **Menu**, **7**, **1**.
- 2 Press **▲** or **▼** to choose **Print Quality**. Press **OK**.
- 3 Press **Color Start**.  
The machine begins printing the Print Quality Check Sheet.
- 4 Check the quality of the four color blocks on the sheet.

Is Quality OK?

1.Yes 2.No

- 5 Do one of the following:
  - If all lines are clear and visible, press **1** to choose **Yes**, and go to step 9.
  - If you can see missing short lines as shown below, press **2** to choose **No**.

OK

Poor



- 6 The LCD asks you if the print quality is OK for black and the three colors.

Black OK?

1.Yes 2.No

Press **1** (Yes) or **2** (No).

- 7 The LCD asks you if you want to start cleaning.

Start Cleaning?

1.Yes 2.No

Press **1** (Yes).

The machine starts cleaning the print head.

- 8 After cleaning is finished, press **Color Start**.

The machine starts printing the Print Quality Check Sheet again and then returns to step 4.

- 9 Press **Stop/Exit**.

If you repeat this procedure at least five times and the print quality is still poor, replace the ink cartridge for the clogged color.

After replacing the ink cartridge, check the print quality. If the problem still exists, repeat the cleaning and test print procedures at least five times for the new ink cartridge. If ink is still missing, call Brother Customer Service (See *Brother numbers* on page i).

### ! CAUTION

DO NOT touch the print head. Touching the print head may cause permanent damage and may void the print head's warranty.

### Note



When a print head nozzle is clogged the printed sample looks like this.



After the print head nozzle is cleaned, the horizontal lines are gone.

## Checking the print alignment

You may need to adjust the print alignment after transporting the machine, or if your printed text becomes blurred or images become faded.

- 1 Press **Menu**, **7**, **2**.
- 2 Press **▲** or **▼** to choose *Alignment*. Press **OK**.
- 3 Press **Black Start** or **Color Start**. The machine starts printing the Alignment Check Sheet.

Is Alignment OK?

1.Yes 2.No

- 4 Check the 600 dpi and 1200 dpi test prints to see if number 5 most closely matches number 0.
  - If the number 5 samples of both the 600 dpi and 1200 dpi test prints are the best matches, press **1** (Yes) to finish the Alignment Check, and go to step 7.
  - If another test print number is a better match for either 600 dpi or 1200 dpi, press **2** (No) to choose it.

- 5 For 600 dpi, press the number of the test print that most closely matches the number 0 sample (1-8).

600dpi Adjust

Select Best #5

- 6 For 1200 dpi, press the number of the test print that most closely matches the number 0 sample (1-8).

1200dpi Adjust

Select Best #5

- 7 Press **Stop/Exit**.

## Checking the ink volume

You can check the ink that is left in the cartridge.

- 1 Press **Menu, 7, 3**.
- 2 The LCD shows the ink volume.
- 3 Press **▲** or **▼** to choose the color you want to check.
- 4 Press **Stop/Exit**.



### Note

You can check the ink volume from your computer. (See *Printing for Windows*<sup>®</sup> or *Printing and Faxing for Macintosh*<sup>®</sup> in the Software User's Guide on the CD-ROM.)

## Machine Information

### Checking the serial number

You can see the machine's serial number on the LCD.

- 1 Press **Menu, 6, 1**.

1. Serial No.

XXXXXXXX

- 2 Press **Stop/Exit**.

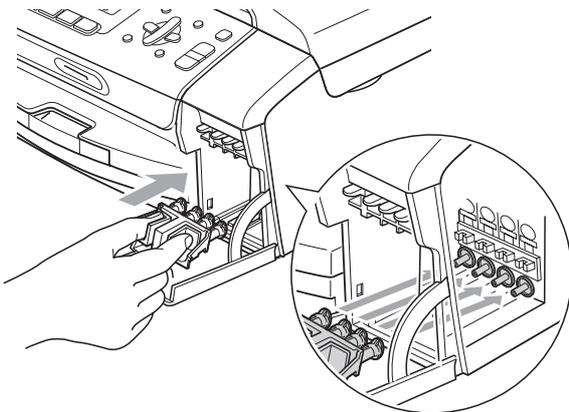
# Packing and shipping the machine

When you transport the machine, use the packing materials that came with your machine. If you do not pack the machine properly, any damage that may occur in transit will not be covered by your warranty.

## ! CAUTION

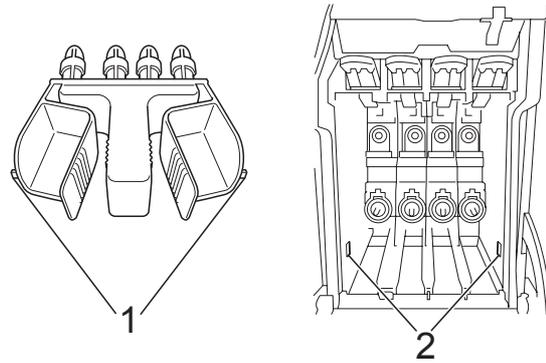
It is important to allow the machine to 'park' the print head after a print job. Listen carefully to the machine before unplugging it to make sure that all mechanical noise has stopped. Not allowing the machine to finish this parking process may lead to print problems and possible damage to the print head.

- 1 Open the ink cartridge cover.
- 2 Press the lock release lever to release the ink cartridge and take out all the ink cartridges. (See *Replacing the ink cartridges* on page 110.)
- 3 Install the green protective part, and then close the ink cartridge cover.



## ! CAUTION

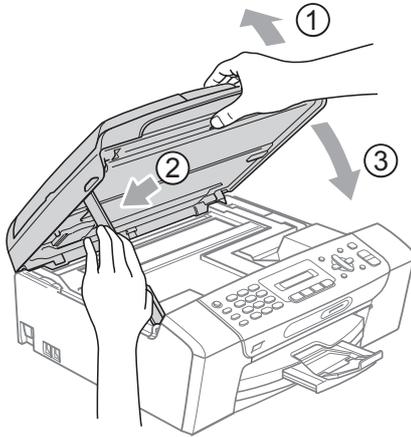
Make sure that the plastic tabs on both sides of the green protective part (1) have securely clicked into place (2).



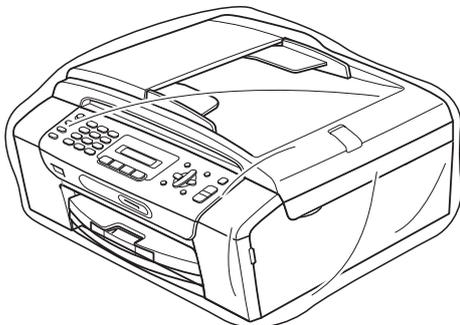
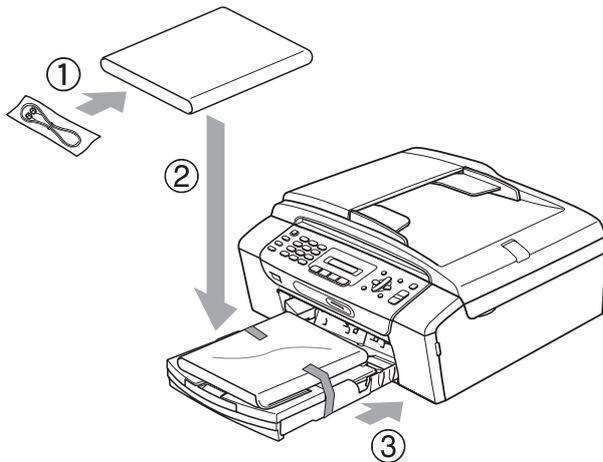
If you are not able to find the green protective part, DO NOT remove the ink cartridges before shipping. It is essential that the machine be shipped with either the green protective part or the ink cartridges in position. Shipping without them will cause damage to your machine and may void your warranty.

- 4 Unplug the machine from the telephone wall jack and take the telephone line cord out of the machine.
- 5 Unplug the machine from the AC power outlet.
- 6 Using both hands, use the plastic tabs on both sides of the machine to lift the scanner cover until it locks securely into the open position. Then unplug the interface cable from the machine, if it is connected.

- 7** Lift the scanner cover (1) to release the lock. Gently push the scanner cover support down (2) and close the scanner cover (3).



- 8** Wrap the machine in the bag and put it in the original carton with the original packing material.

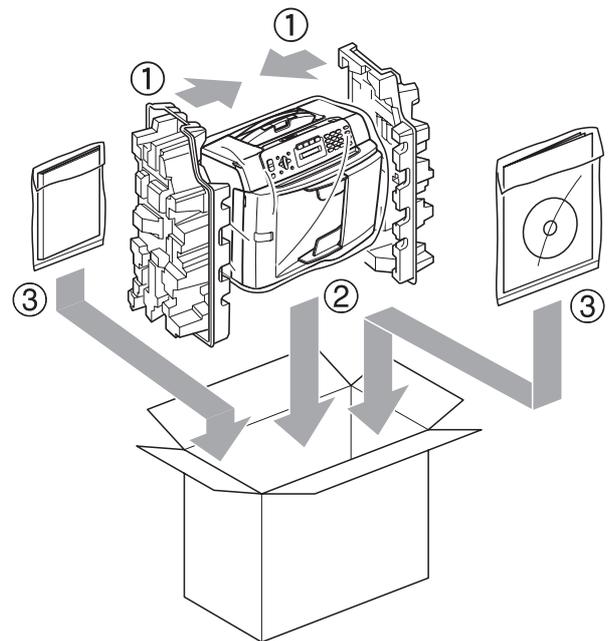


- 9** Pack the printed materials in the original carton as shown below. Do not pack the used ink cartridges in the carton.



**Note**

If you are returning your machine to Brother as part of the Exchange Service, pack *only* the machine. Keep all separate parts and printed materials to use with your 'Exchange' machine.



- 10** Close the carton and tape it shut.

## On-screen programming

Your machine is designed to be easy to operate with LCD on-screen programming using the menu keys. User-friendly programming helps you take full advantage of all the menu selections your machine has to offer.

Since your programming is done on the LCD, we have created step-by-step on-screen instructions to help you program your machine. All you need to do is follow the instructions as they guide you through the menu selections and programming options.

### Menu table

You can program your machine without the User's Guide by using the Menu table that begins on page 122. These pages list the menu selections and options.

Press **Menu** followed by the menu numbers to program your machine.

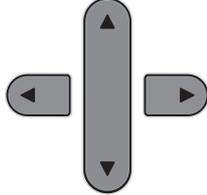
For example, to set beeper volume to **Low**.

- 1 Press **Menu**, **1**, **4**, **2**.
- 2 Press **▲** or **▼** to choose **Low**.
- 3 Press **OK**.
- 4 Press **Stop/Exit**.

### Memory storage

Even if there is a power failure, you will not lose your menu settings because they are stored permanently. Temporary settings (such as Contrast, Overseas mode, and so on) will be lost. You may have to reset the date and time.

## Menu keys

	
Menu 	Access the menu.
 OK	Go to the next menu level. Accept an option.
 Clear / Back	Go back to the previous menu level. Delete an incorrect letter when you need to enter text into the machine.
	Scroll through the current menu level.
	Go back to the previous menu level.
Stop / Exit 	Exit the menu.

To access the menu mode:

- 1 Press **Menu**.
- 2 Choose an option.
  - Press **1** for General Setup menu.
  - Press **2** for Fax menu.
  - Press **3** for Copy menu.

•  
•  
•

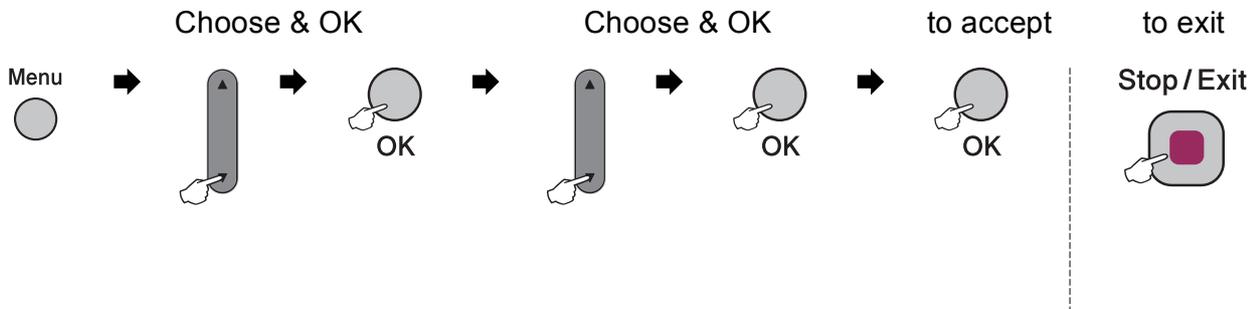
- Press **0** for Initial Setup.

You can scroll more quickly through each menu level by pressing ▲ or ▼ for the direction you want.

- 3 Press **OK** when that option appears on the LCD.  
The LCD will then show the next menu level.
- 4 Press ▲ or ▼ to scroll to your next menu selection.
- 5 Press **OK**.  
When you finish setting an option, the LCD shows *Accepted*.
- 6 Press **Stop/Exit**.

# Menu Table

The menu table will help you understand the menu selections and options that are found in the machine's programs. The factory settings are shown in Bold with an asterisk.



Main Menu	Submenu	Menu Selections	Options	Descriptions	Page
1.General Setup	1.Mode Timer	—	0 Sec 30 Secs 1 Min <b>2 Mins*</b> 5 Mins Off	Sets the time to return to Fax mode.	20
	2.Paper Type	—	<b>Plain Paper*</b> Inkjet Paper Brother BP71 Other Glossy Transparency	Sets the type of paper in the paper tray.	20
	3.Paper Size	—	<b>Letter*</b> Legal A4 A5 4"×6"	Sets the size of the paper in the paper tray.	20
 The factory settings are shown in Bold with an asterisk.					

Main Menu	Submenu	Menu Selections	Options	Descriptions	Page
1. General Setup (Continued)	4. Volume	1. Ring	Off Low <b>Med*</b> High	Adjusts the ring volume.	21
		2. Beeper	Off <b>Low*</b> Med High	Adjusts the volume level of the beeper.	21
		3. Speaker	Off Low <b>Med*</b> High	Adjusts the speaker volume.	21
	5. Auto Daylight	—	On <b>Off*</b>	Change this setting to On if you want the machine to change automatically for Daylight Saving Time.	22
	6. PwrOff Setting	—	Fax Receive:On <b>Fax Receive:Off*</b>	Customizes the <b>On/Off</b> key to receive faxes even in off mode.	19
	7. LCD Contrast	—	Light <b>Dark*</b>	Adjusts the contrast of the LCD.	22
	8. Sleep Mode	—	1 Min 2 Mins 3 Mins 5 Mins <b>10 Mins*</b> 30 Mins 60 Mins	You can choose how long the machine will remain idle before it goes into sleep mode.	22
 The factory settings are shown in Bold with an asterisk.					

Main Menu	Submenu	Menu Selections	Options	Descriptions	Page
2. Fax	1. Setup Receive (In Fax mode only)	1. Ring Delay	00 01 02 03 <b>04*</b>	Sets the number of rings before the machine answers in Fax Only or Fax/Tel mode.	36
		2. F/T Ring Time	<b>20 Secs*</b> 30 Secs 40 Secs 70 Secs	Sets the F/T pseudo/double-ring time in Fax/Tel mode.	36
		3. Easy Receive	<b>On*</b> Off	Receives fax messages without pressing <b>Start</b> .	37
		4. Remote Codes	<b>On*</b> (*51, #51) Off	Allows you to answer all calls at an extension or external telephone and use codes to turn the machine on or off. You can personalize these codes.	49
		5. Auto Reduction	<b>On*</b> Off	Cuts the size of incoming faxes.	37
	2. Setup Send (In Fax mode only)	1. Contrast	<b>Auto*</b> Light Dark	Changes the lightness or darkness of faxes you send.	29
		2. Fax Resolution	<b>Standard*</b> Fine S. Fine Photo	Sets the default resolution for outgoing faxes.	29
		3. Real Time TX	Next Fax Only On <b>Off*</b>	Sends a fax without using the memory.	30
		4. Overseas Mode	On <b>Off*</b>	If you are having problems sending faxes overseas, set this to on.	31
		0. Glass ScanSize	A4 <b>Letter*</b>	Adjusts the scan area of the scanner glass to the size of the document.	27



The factory settings are shown in Bold with an asterisk.

Main Menu	Submenu	Menu Selections	Options	Descriptions	Page	
2. Fax (Continued)	3. Report Setting	1. Transmission	On On+Image <b>Off*</b> Off+Image	Sets initial setup for Transmission Verification Report and Fax Journal.	53	
		2. Journal Period	Off <b>Every 50 Faxes*</b> Every 6 Hours Every 12 Hours Every 24 Hours Every 2 Days Every 7 Days		53	
	4. Remaining Jobs	—	—	Checks which jobs are in the memory and lets you cancel chosen jobs.	28	
	0. Miscellaneous	1. TX Lock	—	—	Stops unauthorized users from changing the machine's current settings.	23
		2. Compatibility	—	<b>Normal*</b> Basic (for VoIP)	Adjusts the equalization for transmission problems.	100
		3. Distinctive	—	<b>Off*</b> Set (On)	Uses the Telephone Company's Distinctive Ring subscriber service to register the ring pattern with the machine.	41
		4. Caller ID	—	<b>Display#*</b> Print Report	View or print a list of the last 30 Caller IDs stored in the memory.	43
	3. Copy	1. Quality	—	Fast <b>Normal*</b> Best	Chooses the Copy resolution for your type of document.	58
		2. Brightness	—	-□□□□■+ -□□□□■+ -□□■□□+* -□■□□□+ -■□□□□+	Adjusts the brightness for copies.	61
		3. Contrast	—	-□□□□■+ -□□□□■+ -□□■□□+* -□■□□□+ -■□□□□+	Adjusts the contrast for copies.	62
 The factory settings are shown in Bold with an asterisk.						

Main Menu	Submenu	Menu Selections	Options	Descriptions	Page
4. PhotoCapture	1. Print Quality	—	Normal <b>Photo*</b>	Choose the print quality.	70
	2. Paper Type	—	Plain Paper Inkjet Paper Brother BP71 <b>Other Glossy*</b>	Choose the paper and paper type.	70
	3. Paper Size	—	<b>4"x6"*</b> 5"x 7" Letter A4	Choose the paper size.	70
	4. Print Size	—	3"x 4" 3.5"x 5" 4"x 6" 5"x 7" 6"x 8" <b>Max. Size*</b>	Choose the print size. (Appears when A4 or Letter is chosen in the Paper Size menu.)	71
	5. Brightness	—	-□□□■+ -□□□■+ -□■□□+* -□■□□+ -■□□□+	Adjusts the brightness.	71
	6. Contrast	—	-□□□■+ -□□□■+ -□■□□+* -□■□□+ -■□□□+	Adjusts the contrast.	71
	7. Cropping	—	<b>On*</b> Off	Crops the image around the margin to fit the paper size or print size. Turn this feature off if you want to print whole images or prevent unwanted cropping.	71
	8. Borderless	—	<b>On*</b> Off	Expands the printable area to fit the edges of the paper.	72
	9. Print Date	—	On <b>Off*</b>	Prints the date on your photo.	72



The factory settings are shown in Bold with an asterisk.

Main Menu	Submenu	Menu Selections	Options	Descriptions	Page
4. PhotoCapture (Continued)	0. Scan to Media	1. <b>Quality</b>	B/W 200x100 dpi B/W 200 dpi <b>Color 150 dpi*</b> Color 300 dpi Color 600 dpi	Selects the Scan resolution for your type of document.	73
		2. <b>B/W File Type</b>	<b>TIFF*</b> PDF	Selects the default file format for black and white scanning.	73
		3. <b>ColorFile Type</b>	<b>PDF*</b> JPEG	Selects the default file format for colour scanning.	73
5. Print Reports	1. <b>Transmission</b>	—	—	Prints a Transmission Verification Report for your last transmission.	54
	2. <b>Help List</b>	—	—	Prints the Help List so you can see at-a-glance how to quickly program your machine.	54
	3. <b>Quick Dial</b>	—	—	Lists name and numbers stored in the Speed Dial memory, in numerical order.	54
	4. <b>Fax Journal</b>	—	—	Lists information about the last incoming and outgoing faxes. (TX means Transmit.) (RX means Receive.)	54
	5. <b>User Settings</b>	—	—	Lists your settings.	54
6. Machine Info.	1. <b>Serial No.</b>	—	—	Lets you check the serial number of your machine.	117
7. Ink	1. <b>Test Print</b>	—	Print Quality Alignment	Lets you check the print quality or alignment.	115
	2. <b>Cleaning</b>	—	Black Color All	Lets you clean the print head.	115
	3. <b>Ink Volume</b>	—	—	Lets you check the available ink volume.	117
 The factory settings are shown in Bold with an asterisk.					

Main Menu	Submenu	Menu Selections	Options	Descriptions	Page
0. Initial Setup	1. Receive Mode	—	<b>Fax Only*</b> Fax/Tel External TAD Manual	Choose the receive mode that best suits your needs.	33
	2. Date&Time	—	—	Puts the date and time on the LCD and in headings of faxes you send.	See Quick Setup Guide.
	3. Station ID	—	Fax: Name:	Set your name and fax number to appear on each page you fax.	
	4. Tone/Pulse (Canada only)	—	<b>Tone*</b> Pulse	Choose the dialing mode.	
	5. Dial Tone	—	Detection <b>No Detection*</b>	You can shorten the dial tone detect pause.	100
	0. Local Language (US only)	—	<b>English*</b> Spanish	Allows you to change the LCD language for your country.	See Quick Setup Guide.
	(Canada only)	—	<b>English*</b> French	Allows you to change the LCD language for your country.	
 The factory settings are shown in Bold with an asterisk.					

## Entering Text

When you are setting certain menu selections, such as the Station ID, you may need to enter text into the machine. Most dial pad keys have three or four letters printed on keys. The keys for **0**, **#** and **\*** do not have printed letters because they are used for special characters.

By pressing the proper dial pad key repeatedly, you can access the character you want.

Press Key	one time	two times	three times	four times
<b>2</b>	A	B	C	2
<b>3</b>	D	E	F	3
<b>4</b>	G	H	I	4
<b>5</b>	J	K	L	5
<b>6</b>	M	N	O	6
<b>7</b>	P	Q	R	S
<b>8</b>	T	U	V	8
<b>9</b>	W	X	Y	Z

### Inserting spaces

To enter a space in a fax number, press **▶** once between numbers. To enter a space in a name, press **▶** twice between characters.

### Making corrections

If you entered an incorrect letter and want to change it, press **◀** to move the cursor under the incorrect character. Then press **Clear/Back**. Re-enter the correct character. You can also back up and insert letters.

### Repeating letters

If you need to enter a letter that is on the same key as the letter before, press **▶** to move the cursor to the right before you press the key again.

### Special characters and symbols

Press **\***, **#** or **0**, and then press **◀** or **▶** to move the cursor under the special character or symbol you want. Then press **OK** to choose it.

Press **\*** for (space) ! " # \$ % & ' ( ) \* + , - . / €

Press **#** for ; < = > ? @ [ ] ^ \_

Press **0** for For USA : À Á É Ó Í Ú Ñ Ü 0

For Canada : É À È Ê Î Ç Ë Ö 0

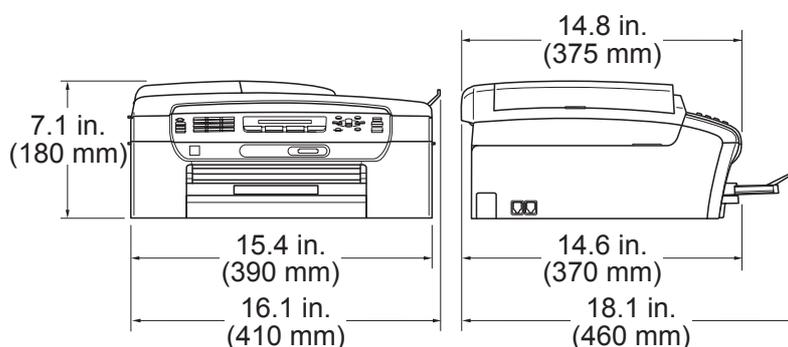
# D

## Specifications

### General

<b>Printer Type</b>	Inkjet	
<b>Print Method</b>	Black:	Piezo with 94 × 1 nozzle
	Color:	Piezo with 94 × 3 nozzles
<b>Memory Capacity</b>	32 MB	
<b>LCD (liquid crystal display)</b>	16 characters × 1line	
<b>Power Source</b>	AC 100 to 120V 50/60Hz	
<b>Power Consumption</b>	Off Mode:	Average 1.1 W
	Sleep Mode:	Average 3 W
	Standby:	Average 4.5 W
	Operating:	Average 24 W

## Dimensions



<b>Weight</b>	17.2 lb (7.8 kg)
<b>Noise</b>	Operating: 50 dB or less <sup>1</sup>
<b>Temperature</b>	Operating: 50° F to 95° F (10 to 35° C) Best Print Quality: 68° F to 91° F (20 to 33° C)
<b>Humidity</b>	Operating: 20 to 80% (without condensation) Best Print Quality: 20 to 80% (without condensation)
<b>ADF (automatic document feeder)</b>	Up to 15 pages Recommended Environment for Best Results: Temperature: 68° F - 86° F (20° C - 30° C) Humidity: 50% - 70% Paper: [20 lb (80 g/m <sup>2</sup> )] A4 or Letter size
<b>Paper Tray</b>	100 Sheets [20 lb (80 g/m <sup>2</sup> )]

<sup>1</sup> This depends on printing conditions.

# Print media

## Paper Input

## Paper Tray

### ■ Paper type:

Plain paper, inkjet paper (coated paper), glossy photo paper<sup>2</sup>, transparencies<sup>1 2</sup> and envelopes

### ■ Paper size:

Letter, Legal, Executive, A4, A5, A6, JIS\_B5, envelopes (commercial No.10, DL, C5, Monarch, JE4), Photo 4" × 6", Index card and Post card<sup>3</sup>.

Width: 4 in. (100mm) - 8.5 in. (215.9mm)

Length: 6 in. (150mm) - 14.0 in. (355.6mm)

For more details, see *Paper weight, thickness and capacity* on page 16.

### ■ Maximum paper tray capacity:

Approx. 100 sheets of 20 lb (80 g/m<sup>2</sup>) plain paper

## Paper Output

Up to 50 sheets of 20 lb (80 g/m<sup>2</sup>) plain paper (face up print delivery to the output paper tray)<sup>2</sup>

<sup>1</sup> Use only transparencies recommended for inkjet printing.

<sup>2</sup> For glossy photo paper or transparencies, we recommend removing printed pages from the output paper tray immediately after they exit the machine to avoid smudging.

<sup>3</sup> See *Paper type and size for each operation* on page 15.

# Fax

<b>Compatibility</b>	ITU-T Group 3
<b>Coding System</b>	MH/MR/MMR/JPEG
<b>Modem Speed</b>	Automatic Fallback 14,400 bps
<b>Document Size</b>	ADF Width: 5.8 in. to 8.5 in. (148 mm to 215.9 mm) ADF Length: 5.8 in. to 14 in. (148 mm to 355.6 mm) Scanner Glass Width: Max. 8.5 in. (215.9 mm) Scanner Glass Height: Max. 11.7 in. (297 mm)
<b>Scanning Width</b>	8.2 in. (208 mm)
<b>Printing Width</b>	8.03 in. (204 mm)
<b>Gray scale</b>	256 levels
<b>Contrast Control</b>	Automatic/Light/Dark (manual setting)
<b>Resolution</b>	<ul style="list-style-type: none"> <li>■ Horizontal 203 dot/in. (8 dot/mm)</li> <li>■ Vertical <ul style="list-style-type: none"> <li>Standard <ul style="list-style-type: none"> <li>98 line/in. (3.85 line/mm) (Black)</li> <li>196 line/in. (7.7 line/mm) (Color)</li> </ul> </li> <li>Fine <ul style="list-style-type: none"> <li>196 line/in. (7.7 line/mm) (Black/Color)</li> </ul> </li> <li>Photo <ul style="list-style-type: none"> <li>196 line/in. (7.7 line/mm) (Black)</li> </ul> </li> <li>Superfine <ul style="list-style-type: none"> <li>392 line/in. (15.4 line/mm) (Black)</li> </ul> </li> </ul> </li> </ul>
<b>Speed Dial</b>	40 stations
<b>Groups</b>	Up to 6

<b>Broadcasting</b> <sup>1</sup>	90 stations
<b>Automatic Redial</b>	1 time after 5 minutes
<b>Ring Delay</b>	0, 1, 2, 3 or 4 rings
<b>Communication Source</b>	Public switched telephone network.
<b>Memory Transmission</b>	Up to 200 <sup>2</sup> /170 <sup>3</sup> pages
<b>Out of Paper Reception</b>	Up to 200 <sup>2</sup> /170 <sup>3</sup> pages

<sup>1</sup> Black & White only

<sup>2</sup> 'Pages' refers to the 'Brother Standard Chart No. 1' (a typical business letter, Standard resolution, MMR code). Specifications and printed materials are subject to change without prior notice.

<sup>3</sup> 'Pages' refers to the 'ITU-T Test Chart #1' (a typical business letter, Standard resolution, MMR code). Specifications and printed materials are subject to change without prior notice.

# Copy

**Color/Black**

Yes/Yes

**Document Size**

ADF Width:

5.8 in. to 8.5 in. (148 mm to 215.9 mm)

ADF Length:

5.8 in. to 14 in. (148 mm to 355.6 mm)

Scanner Glass Width: Max. 8.5 in. (215.9 mm)

Scanner Glass Length: Max. 11.7 in. (297 mm)

Copy Width: Max. 8.26 in. (210 mm) (Letter paper)

**Multiple Copies**

Stacks up to 99 pages

Sorts up to 99 pages (Black only)

**Enlarge/Reduce**

25% to 400% (in increments of 1%)

**Resolution**

(Black)

■ Scans up to 1200×1200 dpi

■ Prints up to 1200×1200 dpi

(Color)

■ Scans up to 600×1200 dpi

■ Prints up to 600×1200 dpi

# PhotoCapture Center<sup>®</sup>

## Compatible Media <sup>1</sup>

Memory Stick<sup>®</sup>  
Memory Stick Pro<sup>™</sup>  
(Not available for music data with MagicGate<sup>™</sup>)  
Memory Stick Duo<sup>™</sup> with adapter  
Memory Stick Micro (M2) with adapter  
SD, SDHC <sup>2</sup>  
miniSD<sup>™</sup> with adapter  
microSD with adapter  
xD-Picture Card<sup>™</sup> <sup>3</sup>  
USB flash memory drive <sup>4</sup>

## Resolution

Up to 1200×2400 dpi

## File Extension

(Media Format)

DPOF, EXIF, DCF

(Image Format)

Photo Print: JPEG <sup>5</sup>

Scan to Media: JPEG, PDF (Color)  
TIFF, PDF (Black)

## Number of Files

Up to 999 files

(The folder inside a memory card or USB Flash memory drive is also counted.)

## Folder

File must be in the 4th folder level of the memory card or USB Flash memory drive.

## Borderless

Letter, A4, Photo 4"×6", Photo 5"×7" <sup>6</sup>

<sup>1</sup> Memory cards, Adapters and USB Flash memory drive are not included.

<sup>2</sup> SecureDigital (SD) : 16MB to 2GB  
SecureDigital High Capacity (SDHC) : 4GB to 8GB

<sup>3</sup> xD-Picture Card<sup>™</sup> Conventional Card from 16MB to 512MB  
xD-Picture Card<sup>™</sup> Type M from 256MB to 2GB  
xD-Picture Card<sup>™</sup> Type M<sup>+</sup> 1GB and 2GB  
xD-Picture Card<sup>™</sup> Type H from 256MB to 2GB

<sup>4</sup> USB 2.0 standard  
USB Mass Storage Class from 16 MB to 8 GB  
Support format: FAT 12/FAT16/FAT32

<sup>5</sup> Progressive JPEG format is not supported.

<sup>6</sup> See *Paper type and size for each operation* on page 15.

# PictBridge

## Compatibility

Supports the Camera & Imaging Products Association PictBridge standard CIPA DC-001

Visit <http://www.cipa.jp/pictbridge> for more information

## Interface

PictBridge (USB) Port

D

# Scanner

<b>Color/Black</b>	Yes/Yes
<b>TWAIN Compliant</b>	Yes (Windows® 2000 Professional/XP/XP Professional x64 Edition/Windows Vista®/Windows Vista® x64 Edition) Mac OS® X 10.2.4 or greater
<b>WIA Compliant</b>	Yes (Windows® XP <sup>1</sup> /Windows Vista®)
<b>Color Depth</b>	36 bit color Processing (Input) 24 bit color Processing (Output) (Actual Input: 30 bit color/Actual Output: 24 bit color)
<b>Resolution</b>	Up to 19200 × 19200 dpi (interpolated) <sup>2</sup> Up to 1200 × 2400 dpi (optical)
<b>Document Size</b>	ADF Width : 5.8 in. to 8.5 in. (148 mm to 215.9 mm) ADF Length : 5.8 in. to 14 in. (148 mm to 355.6 mm) Scanner Glass Width: Max. 8.5 in. (215.9 mm) Scanner Glass Length: Max. 11.7 in. (297 mm)
<b>Scanning Width</b>	Up to 8.26 in. (210 mm)
<b>Gray scale</b>	256 levels

<sup>1</sup> Windows® XP in this User's Guide includes Windows® XP Home Edition, Windows® XP Professional, and Windows® XP Professional x64 Edition.

<sup>2</sup> Maximum 1200 × 1200 dpi scanning when using the WIA Driver for Windows® XP and Windows Vista® (resolution up to 19200 × 19200 dpi can be chosen by using the Brother scanner utility)

# Printer

<b>Printer Driver</b>	Windows® 2000 Professional/XP/XP Professional x64 Edition/Windows Vista®/Windows Vista® x64 Edition driver supporting Brother Native Compression mode Mac OS® X 10.2.4 or greater: Brother Ink Driver
<b>Resolution</b>	Up to 1200 × 6000 dpi 1200 × 2400 dpi 1200 × 1200 dpi 600 × 1200 dpi 600 × 600 dpi 600 × 300 dpi 600 × 150 dpi (Color) 450 × 150 dpi (Black & White)
<b>Printing Width</b>	8.26 in. [8.5 in. (borderless) <sup>1</sup> ] (Letter size)
<b>Borderless</b>	Letter, A4, A6, Photo 4" × 6", Index Card, Post Card <sup>2</sup>

<sup>1</sup> When you set the Borderless feature to On.

<sup>2</sup> See *Paper type and size for each operation* on page 15.

# Interfaces

## USB

A USB 2.0 interface cable that is no longer than 6 feet (2.0 m).<sup>1 2</sup>

- <sup>1</sup> Your machine has a USB 2.0 Full-speed interface. This interface is compatible with USB 2.0 Hi-Speed; however, the maximum data transfer rate will be 12 Mbits/s. The machine can also be connected to a computer that has a USB 1.1 interface.
- <sup>2</sup> Third party USB ports are not supported for Macintosh®.

# Computer requirements

SUPPORTED OPERATING SYSTEMS AND SOFTWARE FUNCTIONS								
Computer Platform & Operating System Version		Supported PC Software Functions	PC Interface	Processor Minimum Speed	Minimum RAM	Recommended RAM	Hard Disk Space to install	
							For Drivers	For Applications
Windows® Operating System <sup>1</sup>	2000 Professional <sup>5</sup>	Printing, PC FaxSend <sup>4</sup> , Scanning, Removable Disk	USB	Intel® Pentium® II or equivalent	64 MB	256 MB	110 MB	340 MB
	XP Home <sup>2 5</sup> XP Professional <sup>2 5</sup>				128 MB		110 MB	340 MB
	XP Professional x64 Edition <sup>2</sup>			64-bit (Intel®64 or AMD64) supported CPU	256 MB	512 MB	110 MB	340 MB
	Windows Vista® <sup>2</sup>			Intel® Pentium® 4 or equivalent 64-bit (Intel®64 or AMD64) supported CPU	512 MB	1 GB	600 MB	530 MB
Macintosh® Operating System <sup>6</sup>	Mac OS® X 10.2.4 - 10.4.3	Printing, PC FaxSend <sup>4</sup> , Scanning, Removable Disk	USB <sup>3</sup>	PowerPC G4/G5 PowerPC G3 350MHz	128 MB	256 MB	80 MB	400 MB
	Mac OS® X 10.4.4 or greater			PowerPC G4/G5 Intel® Core™ Processor	512 MB			

**Conditions:**

- <sup>1</sup> Microsoft® Internet Explorer 5.5 or greater.
- <sup>2</sup> For WIA, 1200 x 1200 resolution. Brother Scanner Utility enables to enhance up to 19200 x 19200 dpi.
- <sup>3</sup> Third party USB ports are not supported.
- <sup>4</sup> PC Fax supports black and white only, and does not support Ledger/A3 size paper.
- <sup>5</sup> PaperPort™ 11SE supports Microsoft® SP4 or higher for Windows® 2000 and SP2 or higher for XP.
- <sup>6</sup> Presto!® PageManager® on the CD-ROM supports Mac OS® X 10.3.9 or higher. For Mac OS® X 10.2.4-10.3.8 Presto!® PageManager® is available as a download from the Brother Solutions Center.

For the latest driver updates, visit <http://www.brother.com>.  
All trademarks, brand and product names are property of their respective companies.

## Consumable items

<b>Ink</b>	The machine uses individual Black, Yellow, Cyan and Magenta ink cartridges that are separate from the print head assembly.
<b>Service Life of Ink Cartridge</b>	Starter ink cartridges are in the box. The first time you install the ink cartridges the machine will use extra ink to fill the ink delivery tubes. This is a one-time process that enables high quality printing. Afterward, replacement ink cartridges will print the specified number of pages. Starter Cartridge yield is approx. 65% yield of the replacement cartridge.
<b>Replacement Consumables</b>	<Black> LC61BK, <Cyan> LC61C, <Magenta> LC61M, <Yellow> LC61Y  Black - Approximately 450 pages <sup>1</sup>  Cyan, Magenta, Yellow - Approximately 325 pages <sup>1</sup>  <sup>1</sup> Approx. cartridge yield is declared in accordance with ISO/IEC 24711.  For more information about the replacement consumables, visit us at <a href="http://www.brother.com/pageyield">www.brother.com/pageyield</a> .

### What is Innobella™?

Innobella™ is a range of genuine consumables offered by Brother. The name "Innobella™" derives from the words "Innovation" and "Bella" (meaning "Beautiful" in Italian) and is a representation of the "innovative" technology providing you with "beautiful" and "long lasting" print results.

When you print photo images, Brother recommends Innobella™ glossy photo paper (BP71 series) for high quality. Brilliant prints are made easier with Innobella™ Ink and paper.



# E

# Glossary

# E

This is a comprehensive list of features and terms that appear in Brother manuals. Availability of these features depends on the model you purchased.

## **ADF (automatic document feeder)**

The document can be placed in the ADF and scanned one page at a time automatically.

## **Auto Reduction**

Reduces the size of incoming faxes.

## **Automatic Redial**

A feature that enables your machine to redial the last fax number after five minutes if the fax did not go through because the line was busy.

## **Backup Print**

Your machine prints a copy of every fax that is received and stored in memory. This is a safety feature so you will not lose messages during a power failure.

## **Beeper Volume**

Volume setting for the beep when you press a key or make an error.

## **Brightness**

Changing the Brightness makes the whole image lighter or darker.

## **Broadcasting**

The ability to send the same fax message to more than one location.

## **Caller ID**

A service purchased from the telephone company that lets you see the number (or name) of the party calling you.

## **CNG tones**

The special tones (beeps) sent by fax machines during automatic transmission to tell the receiving machine that a fax machine is calling.

## **Coding method**

Method of coding the information contained in the document. All fax machines must use a minimum standard of Modified Huffman (MH). Your machine is capable of greater compression methods, Modified Read (MR), Modified Modified Read (MMR) and JPEG, if the receiving machine has the same capability.

## **Communication error (Comm. Error)**

An error during fax sending or receiving, usually caused by line noise or static.

## **Compatibility group**

The ability of one fax unit to communicate with another. Compatibility is assured between ITU-T Groups.

## **Contrast**

Setting to compensate for dark or light documents, by making faxes or copies of dark documents lighter and light documents darker.

## **Distinctive Ring**

A subscriber service purchased from the telephone company that gives you another telephone number on an existing telephone line. The Brother machine uses the new number to simulate a dedicated fax line.

## **Dual Access**

Your machine can scan outgoing faxes or scheduled jobs into memory at the same time it is sending a fax from memory or receiving or printing an incoming fax.

## **Easy Receive**

Enables your machine to respond to CNG tones if you interrupt a fax call by answering it.

### **ECM (Error Correction Mode)**

Detects errors during fax transmission and resends the pages of the fax that had an error.

### **Extension telephone**

A telephone using the same line as your fax but plugged into a separate wall jack.

### **External telephone**

A telephone that is plugged into the EXT jack of your machine.

### **F/T Ring Time**

The length of time that the Brother machine rings (when the Receive Mode setting is Fax/Tel) to notify you to pick up a voice call that it answered.

### **Fax Journal**

Lists information about the last 200 incoming and outgoing faxes. TX means Transmit. RX means Receive.

### **Fax Receive Code**

Press this code (\* 5 1) when you answer a fax call on an extension or external telephone.

### **Fax tones**

The signals sent by sending and receiving fax machines while communicating information.

### **Fax/Tel**

You can receive faxes and telephone calls. Do not use this mode if you are using a telephone answering device (TAD).

### **Fine resolution**

Resolution is 203 × 196 dpi. It is used for small print and graphs.

### **Gray scale**

The shades of gray available for copying, scanning and faxing photographs.

### **Group number**

A combination of Speed Dial numbers that are stored in a Speed Dial location for Broadcasting.

### **Help list**

A printout of the complete Menu table that you can use to program your machine when you do not have the User's Guide with you.

### **Innobella™**

Innobella™ is a range of genuine consumables offered by Brother. For best quality results Brother recommends Innobella™ Ink and Paper.

### **Journal Period**

The pre-programmed time period between automatically printed Fax Journal Reports. You can print the Fax Journal on demand without interrupting the cycle.

### **LCD (liquid crystal display)**

The display screen on the machine that shows interactive messages during On-Screen Programming and shows the date and time when the machine is idle.

### **Manual fax**

When you lift the handset of your external telephone or press **Hook** you can hear the receiving fax machine answer before you press **Black Start** or **Color Start** to begin sending.

### **Menu mode**

Programming mode for changing your machine's settings.

### **OCR (optical character recognition)**

The bundled ScanSoft™ PaperPort™ 11SE with OCR or

Presto!® PageManager® software application converts an image of text to text you can edit.

### **Out of Paper Reception**

Receives faxes into the machine's memory when the machine is out of paper.

### **Overseas Mode**

Makes temporary changes to the fax tones to accommodate noise and static on overseas telephone lines.

**Pause**

Allows you to place a 3.5 second delay in the dialing sequence while you are dialing using the dial pad or you are storing Speed Dial numbers. Press **Redial/Pause** as many times as needed for longer pauses.

**Photo resolution (B&W only)**

A resolution setting that uses varying shades of gray for the best representation of photographs.

**PhotoCapture Center®**

Allows you to print digital photos from your digital camera at high resolution for photo quality printing.

**PictBridge**

Allows you to print photos directly from your digital camera at high resolution for photo quality printing.

**Pulse (Canada only)**

A form of rotary dialing on a telephone line.

**Quick Dial List**

A listing of names and numbers stored in Speed Dial memory, in numerical order.

**Real Time Transmission**

When memory is full, you can send faxes in real time.

**Remaining jobs**

You can check which jobs are waiting in memory and cancel jobs individually.

**Resolution**

The number of vertical and horizontal lines per inch. See: Standard, Fine, Super Fine and Photo.

**Ring Delay**

The number of rings before the machine answers in **Fax Only** and **Fax/Tel** mode.

**Ring Volume**

Volume setting for the machine's ring.

**Scan to Media**

You can scan a black & white or color document into a memory card or USB Flash memory drive. Black & white images can be in TIFF or PDF file format and color images can be in PDF or JPEG file format.

**Scanning**

The process of sending an electronic image of a paper document into your computer.

**Search**

An electronic, numerical or alphabetical listing of stored Speed Dial and Group numbers.

**Speed Dial**

A pre-programmed number for easy dialing. You must press the  (**Speed Dial**), **#**, and the two digit code, and **Black Start** or **Color Start** to start the dialing process.

**Standard resolution**

203 × 97 dpi. It is used for regular size text and quickest transmission.

**Station ID**

The stored information that appears on the top of faxed pages. It includes the sender's name and fax number.

**Super Fine resolution (B&W only)**

392 × 203 dpi. Best for very small print and line art.

**TAD (telephone answering device)**

You can connect an external device or answering machine to the EXT. jack of your machine.

**Telephone Answer Code (For Fax/Tel mode only)**

When the machine answers a voice call, it pseudo/double-rings. You can pick up at an extension telephone by pressing this code (**# 5 1**).

### **Temporary settings**

You can choose certain options for each fax transmission and copy without changing the default settings.

### **Tone**

A form of dialing on the telephone line used for Touch Tone telephones.

### **Transmission**

The process of sending faxes over the telephone lines from your machine to the receiving fax machine.

### **Transmission Verification Report**

A listing for the last fax sent, that shows its date, time and number.

### **User Settings**

A printed report that shows the current settings of the machine.

## A

Accessories and supplies .....	ii
ADF (automatic document feeder) .....	17
Answering machine (TAD) .....	44
connecting .....	45
Apple® Macintosh®	
See Software User's Guide on the CD-ROM. ....	
Automatic	
fax receive .....	33
Easy Receive .....	37

## B

Broadcasting .....	27
setting up Groups for .....	52
Brother	
accessories and supplies .....	ii
Brother numbers .....	i
Customer Service .....	i
FAQs (frequently asked questions) .....	i
product support .....	i
service centers (Canada) .....	i
service centers (USA) .....	i
warranties .....	iii, iv, vi

## C

Caller ID .....	43
print list .....	43
view list .....	43
Canceling	
jobs awaiting redial .....	31
Cleaning	
paper pick-up roller .....	114
print head .....	115
printer platen .....	114
scanner .....	113
Connecting	
external TAD .....	44
external telephone .....	48
two-line external TAD or telephone .....	46
Consumable items .....	142
Control panel overview .....	6

## ControlCenter

See Software User's Guide on the  
CD-ROM. ....

## Copy

Enlarge/Reduce .....	58
enter Copy mode .....	56
key .....	57
multiple .....	56
paper .....	62
single .....	56
sort .....	61
temporary settings .....	57
using ADF .....	17
using scanner glass .....	17
Copy Options key (copying)	
paper size .....	62
paper type .....	62
Cordless telephone .....	49
Custom Ringing .....	41
Custom telephone features on a single line .....	98

## D

Data Ident-A-Call .....	41
Dialing	
a pause .....	51
access codes and credit card numbers .....	51, 52
Groups .....	27
manual .....	50
Speed Dial .....	50
Direct printing	
from a non-PictBridge camera .....	77
from a PictBridge camera .....	75
Distinctive Ring .....	41
setting ring pattern .....	42
turning off .....	42
Dual Access .....	30

## E

---

Easy Receive .....	37
Envelopes .....	10, 15, 16
Error messages on LCD .....	101
B&W Print Only .....	101
Cannot Detect .....	102
Cannot Print .....	102, 104
Comm. Error .....	102
Ink Low .....	103
No Cartridge .....	103
No Paper Fed .....	104
Not Registered .....	50
Out of Memory .....	30, 104
Unable to Clean .....	102
Unable to Init. ....	103
Unable to Print .....	104
Unable to Scan .....	105
Extension telephone, using .....	49
External telephone, connecting .....	48

## F

---

Fax codes	
changing .....	49
Fax Receive Code .....	37, 48
Remote Activation Code .....	48
Remote Deactivation Code .....	48, 49
Telephone Answer Code .....	48, 49
Fax, from PC	
See Software User's Guide on the CD-ROM. ....	
Fax, stand-alone	
receiving .....	33
at end of conversation .....	35, 37
difficulties .....	94, 96
Easy Receive .....	37
F/T Ring Time, setting .....	36
from extension telephone .....	48, 49
Receive Mode, choosing .....	33
reducing to fit on paper .....	37
Ring Delay, setting .....	36
telephone line interference .....	100
sending .....	26
at end of conversation .....	32
Broadcasting .....	27
canceling from memory .....	31
changing scanner glass size .....	27
color fax .....	27

contrast .....	29
enter Fax mode .....	26
from ADF .....	26
from memory (Dual Access) .....	30
from scanner glass .....	26
manual .....	31
overseas .....	31
Real Time Transmission .....	30
Resolution .....	29
telephone line interference .....	100

Fax/Tel mode	
answering at extension	
telephones .....	48, 49
Fax Receive Code .....	48, 49
Ring Delay .....	36
Telephone Answer Code .....	48, 49
FCC notices .....	89

## G

---

Gray scale .....	133, 138
Groups for Broadcasting .....	52

## H

---

Help	
LCD messages .....	120
using menu keys .....	120
Menu Table .....	120, 122
Hook key, using .....	6

## I

---

Ident-A-Call .....	41
Ident-A-Ring .....	41
Ink cartridges	
checking ink volume .....	117
ink dot counter .....	110
replacing .....	110
Innobella™ .....	142

## J

Jacks	
convert to RJ11 jack	
triplex adapter	46
EXT	
external telephone	44
TAD (answering machine)	44
Jams	
document	106
paper	107

## L

LCD (liquid crystal display)	120
Contrast	22

## M

Macintosh®	
See Software User's Guide on the	
CD-ROM.	
Maintenance, routine	110
replacing ink cartridges	110
Manual	
dialing	50
receive	33
transmission	31
Memory Storage	120
Menu Table	120
Mode, entering	
Copy	56
Fax	26
PhotoCapture	6
Scan	6
Multi-line connections (PBX)	47

## O

Out of Memory message	30, 32, 104
-----------------------	-------------

## P

Packing the machine	118
Paper	13, 132
capacity	16
document size	26
loading	8
size	15, 20
size of document	17
type	15, 20
PaperPort™ 11SE with OCR	
See Software User's Guide on the	
CD-ROM and Help in the PaperPort™	
11SE application to access	
How-to-Guides.	
Personalized Ring	41
PhotoCapture Center®	
DPOF printing	69
from PC	
See Software User's Guide on the	
CD-ROM.	
Memory Stick Pro™	64
Memory Stick®	64
Print Date	72
Print settings	
Brightness	71
Paper type & size	70, 71
Scan to Media	72
SecureDigital	64
specifications	136
xD-Picture Card™	64
PictBridge	
DPOF Printing	76
Power failure	120
Print	
area	12
difficulties	94, 96
drivers	139
images	68
improving quality	115
paper jams	107
reports	54
resolution	139
specifications	139
Printing	
images	68
on small paper	11
See Software User's Guide on the	
CD-ROM.	
Programming your machine	120

## Q

Quick Dial	
access codes and credit card	
numbers	52
Broadcasting	27
using Groups	27
Group dial	
changing	51
setting up Groups for Broadcasting	52
Search	50
Speed Dial	
changing	51
setting up	51
using	50

## R

Receive Mode	33
External TAD	33
Fax Only	33
Fax/Tel	33
Manual	33
Redial/Pause	50
Reducing	
copies	58
incoming faxes	37
Reports	53
Caller ID List	43
Fax Journal	54
Journal Period	53
Help List	54
how to print	54
Quick Dial List	54
Transmission Verification	53, 54
User Settings	54
Resolution	
copy	135
fax	133
print	139
scan	138
setting for next fax	29
Ring Delay, setting	36
RingMaster	41

## S

Safety Instructions	88
Scanner glass	
cleaning	113
using	17
Scanning	
See Software User's Guide on the CD-ROM.	
Serial Number	
how to find	See inside front cover
Shipping the machine	118
SimpleBiz Fax & Alternative Number	
Ringing	41
Sleep time	22
Smart Ring	41
Speed Dial	
changing	51
setting up	51
using	50

## T

TAD (telephone answering device),	
external	33, 44, 46
connecting	44, 45
receive mode	33
recording OGM	45
with two-line jack	46
Teen Ring	41
Telephone line	
connections	45
difficulties	97
interference	100
multi-line (PBX)	47
roll over lines	46
two-line telephone system	46
Temporary copy settings	57
Text, entering	129
special characters	129
Transparencies	13, 14, 16, 132

Troubleshooting .....	94
checking ink volume .....	117
document jam .....	106
error messages on LCD .....	101
if you are having difficulty .....	106
copying .....	98
incoming calls .....	98
PhotoCapture Center® .....	99
printing .....	94
printing received faxes .....	96
receiving faxes .....	97
scanning .....	99
sending faxes .....	97
software .....	99
telephone line or connections .....	97
paper jam .....	107
print quality .....	115
Two-line telephone system .....	46
TX Lock	
turning on/off .....	24

## V

---

Voice Mail .....	40
Volume, setting	
beeper .....	21
ring .....	21
speaker .....	21

## W

---

Warranties .....	iii
Canada .....	vi
Notice-Disclaimer .....	iii
USA .....	iv
Windows®	
See Software User's Guide on the CD-ROM. ....	
World Wide Web .....	i

## **EQUIPMENT ATTACHMENT LIMITATIONS (Canada only)**

### **NOTICE**

This product meets the applicable Industry Canada technical specifications.

### **NOTICE**

The Ringer Equivalence Number is an indication of the maximum number of devices allowed to be connected to a telephone interface. The termination on an interface may consist of any combination of devices subject only to the requirement that the sum of the RENs of all the devices does not exceed five.

Brother International Corporation  
100 Somerset Corporate Boulevard  
P.O. Box 6911  
Bridgewater, NJ 08807-0911 USA

Brother International Corporation (Canada) Ltd.  
1 rue Hôtel de Ville,  
Dollard-des-Ormeaux, QC, Canada H9B 3H6

**brother**®

**Visit us on the World Wide Web**  
**<http://www.brother.com>**

These machines are made for use in the USA and Canada only. We cannot recommend using them overseas because it may violate the Telecommunications Regulations of that country and the power requirements of your machine may not be compatible with the power available in foreign countries. **Using USA or Canada models overseas is at your own risk and may void your warranty.**

## Free Manuals Download Website

<http://myh66.com>

<http://usermanuals.us>

<http://www.somanuals.com>

<http://www.4manuals.cc>

<http://www.manual-lib.com>

<http://www.404manual.com>

<http://www.luxmanual.com>

<http://aubethermostatmanual.com>

Golf course search by state

<http://golfingnear.com>

Email search by domain

<http://emailbydomain.com>

Auto manuals search

<http://auto.somanuals.com>

TV manuals search

<http://tv.somanuals.com>