



**Register** your new device on MyBosch now and get free benefits: [bosch-home.com/welcome](https://bosch-home.com/welcome)



# Warming Drawers

HWD57, HWD50

<b>[en-us]</b>	Assembly instructions	Warming drawers	2
<b>[fr-ca]</b>	Directives de montage	Tiroirs-réchaud	9
<b>[es-mx]</b>	Instrucciones de montaje	Cajones calentaplatos	16

---

# Table of Contents

<b>Safety</b> .....	<b>1</b>
<b>Important Safety Instructions</b> .....	<b>1</b>
<b>Installation</b> .....	<b>2</b>
<b>Before you Begin</b> .....	<b>3</b>
Tools and Parts Needed .....	3
Parts Included .....	3
<b>General Information</b> .....	<b>3</b>
Power Requirements and Grounding .....	3
<b>Installation Dimensions</b> .....	<b>3</b>
30" Warming Drawer .....	3
27" Warming Drawer .....	3
<b>Installation Procedure</b> .....	<b>4</b>
Installing with Microwave or Steam Oven .....	4
Pre-Assembly Preparation .....	4
Mounting the Microwave on the Warming Drawer .....	4
Mounting the Steam Oven on the Warming Drawer .....	5
Electrical Connection .....	6
Installation into the Cabinet Cutout .....	6
<b>Service</b> .....	<b>6</b>
Data Plate .....	6

This Bosch Appliance is made by  
BSH Home Appliances Corporation  
1901 Main Street, Suite 600  
Irvine, CA 92614

Questions?

1-800-944-2904

[www.bosch-home.com/us](http://www.bosch-home.com/us)

We look forward to hearing from you!

# **IMPORTANT SAFEGUARDS**

READ AND SAVE THESE INSTRUCTIONS

---

## Safety

### **WARNING:**

If the information in this manual is not followed exactly, fire or shock may result causing property damage or personal injury.

Read all instructions.

### **WARNING:**

Do not repair or replace any part of the appliance unless specifically recommended in the manuals. Improper installation, service or maintenance can cause injury or property damage. Refer to this manual for guidance. All other servicing should be done by a qualified technician.

### **Appliance Handling Safety**

Hidden surfaces may have sharp edges. Use caution when reaching behind or under appliance.

Close supervision is necessary when any appliance is used by or near children.

Do not touch hot surfaces. Use handles or knobs.

The use of accessory attachments not recommended by the appliance manufacturer may cause injuries.

Do not use outdoors.

Do not place on or near a hot gas or electric burner, or in a heated oven.

Do not use appliance for other than intended use.

Extreme caution must be used when moving an appliance containing hot oil or other hot liquids.

To reduce the risk of fire, do not place any heating or cooking appliance beneath the appliance.

To reduce the risk of fire, do not mount unit over or near any portion of a heating or cooking appliance.

To reduce the risk of electric shock, do not mount over a sink.

To reduce the risk of fire, do not store anything directly on top of the appliance surface when the appliance is in operation.

### **Safety Codes and Standards**

This appliance complies with one or more of the following Standards:

- UL 1026 - Electric Household Cooking and Food Serving Appliances
- CSA-C22.2 No. 64 - Household cooking and Liquid-Heating appliances

It is the responsibility of the owner and the installer to determine if additional requirements and/or standards apply to specific installations.

### **Electric Safety**

Before you plug in the electrical cord, be sure all controls are in the OFF position.

Do not let cord hang over edge of table or counter, or touch hot surfaces.

Always attach plug to appliance first, then plug cord into wall outlet. To disconnect, turn any control to "off", then remove plug from wall outlet.

Do not operate any appliance with a damaged cord or plug or after the appliance malfunctions or has been damaged in any manner. Call an authorized service facility for examination, repair or adjustment.

To protect against electrical shock, do not immerse cord, plugs, or other electrical parts in water or other liquid.

For appliances equipped with a cord and plug, do not cut or remove the ground prong. It must be plugged into a matching grounding type receptacle to avoid electrical shock. If there is any doubt as to whether the wall receptacle is properly grounded, the customer should have it checked by a qualified electrician.

If required by the National Electrical Code (or Canadian Electrical Code), this appliance must be installed on a separate branch circuit.

**Installer** - show the owner the location of the circuit breaker or fuse. Mark it for easy reference.

**Important** - Save these instructions for the local electrical inspector's use.

# **IMPORTANT SAFEGUARDS**

## READ AND SAVE THESE INSTRUCTIONS

Before installing, turn power OFF at the service panel. Lock service panel to prevent power from being turned ON accidentally.

Refer to data plate for more information. See "Data Plate" under "Service" for data plate location.

Be sure your appliance is properly installed and grounded by a qualified technician. Installation, electrical connections and grounding must comply with all applicable codes.

### **Related Equipment Safety**

Remove all tape and packaging before using the appliance. Destroy the packaging after unpacking the appliance. Never allow children to play with packaging material.

Never modify or alter the construction of the appliance. For example, do not remove leveling legs, panels, wire covers or anti-tip brackets/screws.

### **CAUTION:**

For units with glass panels, use care when handling glass to avoid breaking. Broken glass could cause injury.

### **State of California Proposition 65**

#### **Warning:**

---

#### **WARNING**

---

This product can expose you to chemicals including vinyl chloride, which is known to the State of California to cause cancer and birth defects or other reproductive harm. For more information go to [www.P65Warnings.ca.gov](http://www.P65Warnings.ca.gov).

---

**IMPORTANT SAFETY NOTICE:** The California Safe Drinking and Toxic Enforcement Act requires the Governor of California to publish a list of substances known to the state to cause cancer, birth defects or other reproductive harm, and requires businesses to warn customers potential exposure to such substances.

# Installation

## Before you Begin

### Tools and Parts Needed

- T-20 star head screwdriver
- Measuring tape
- Drill with bit (1/8")

### Parts Included

- T-20 star head screws, #8x1/2" (6)

## General Information

### Power Requirements and Grounding

Circuit Specifications: 120V, 15A, 60Hz

The outlet must be properly grounded in accordance with all applicable codes.

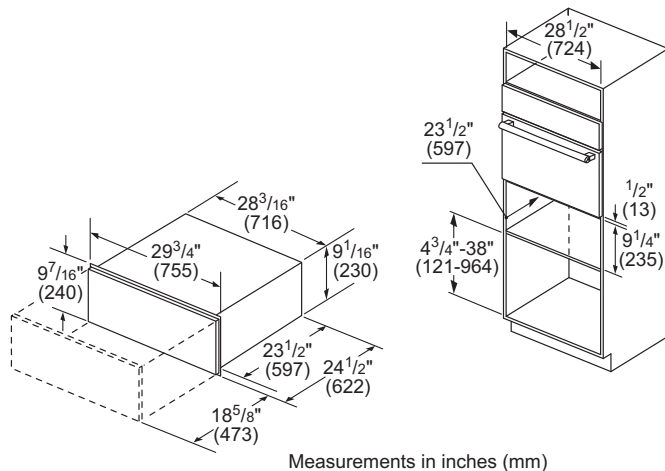
## Installation Dimensions

Instructions are based on standard (in the U.S.A.) cabinets 36" (914 mm) high and 24" (609 mm) deep with a 25" (635 mm) countertop. If using non-standard cabinets, alter dimensions accordingly.

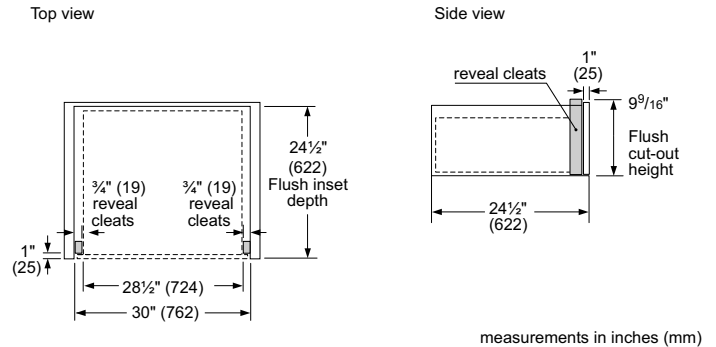
### 30" Warming Drawer

#### Unit and Cabinet Dimensions

Cabinet opening bottom must be able to support 110 pounds (50 kg).



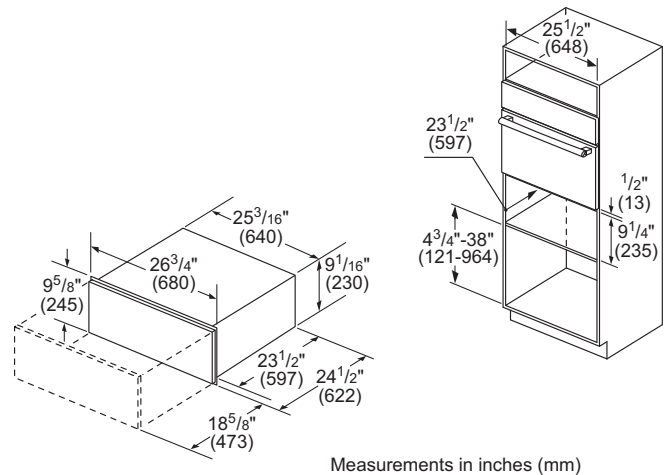
### Flush Installation



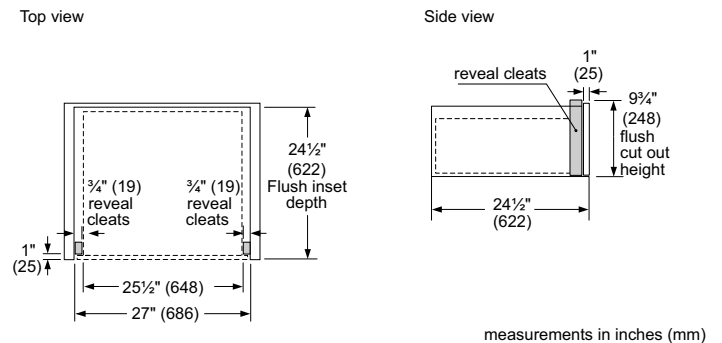
### 27" Warming Drawer

#### Unit and Cabinet Dimensions

Cabinet opening bottom must be able to support 110 pounds (50 kg).



### Flush Installation



# Installation Procedure

## ⚠ CAUTION

Before installing, turn power OFF at the service panel. Lock service panel to prevent power from being turned ON accidentally.

## Installing with Microwave or Steam Oven

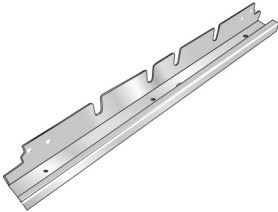

### Pre-Assembly Preparation

Mounting the microwave or steam oven on the warming drawer requires the units to be assembled together prior to installing into the cabinet cutout.

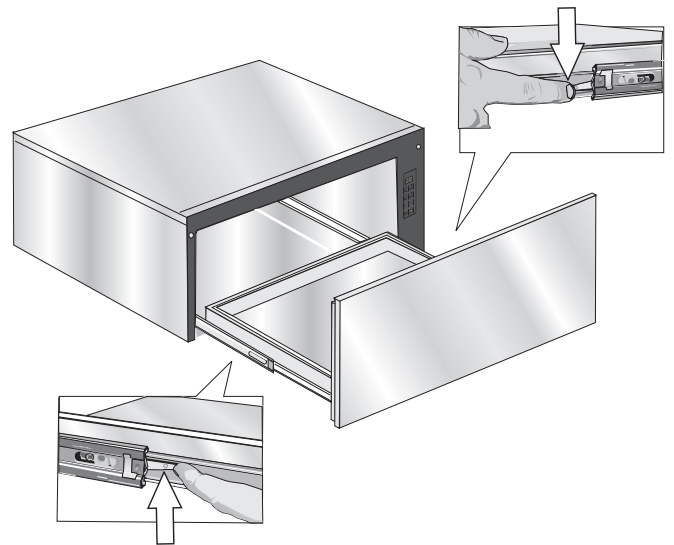
#### Note:

The parts contained in the square tube parts box are common to both installations.

#### Parts Provided

Universal connector bracket (2) (in parts box)	
Screws (16) (in red bag, inside parts box)	

1. Prepare cabinet cutout.  
Prepare cabinet cutout and install electrical connection according to the dimensions in "General Information".
2. Remove the drawer from the drawer housing.
  - a. Pull drawer to fully open position.
  - b. Press down right drawer release lever.
  - c. Lift up left drawer release lever.
  - d. Firmly pull the drawer straight out.  
Retract cabinet rails while drawer is removed.



3. Position the warming drawer housing in front of the cabinet where it is to be installed. Position the Microwave or Steam Oven nearby.
4. The warming drawer is ready for the Microwave or Steam oven to be mounted on it.

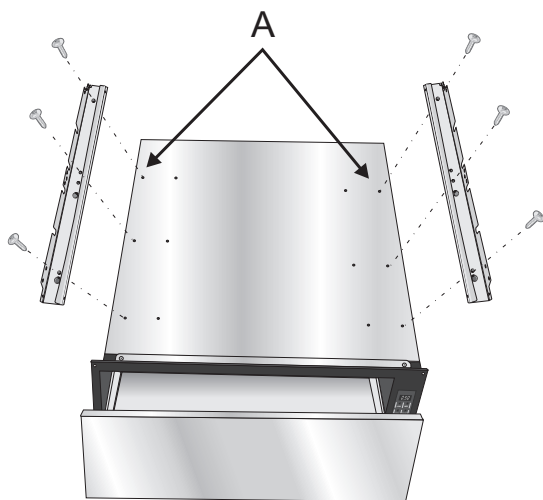
### Mounting the Microwave on the Warming Drawer (30" models only)

#### Assemble the Brackets to the Warming Drawer

**Note:** Do not place the warming drawer into the wall cabinet until after mounting the microwave on it using the universal connector brackets.

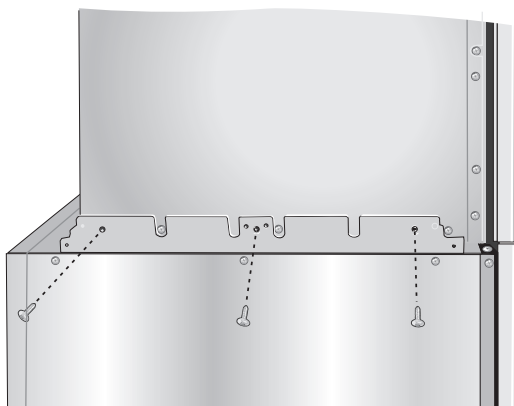
1. Attach both universal connector brackets to the warming drawer housing using three of the screws provided for each bracket. Tighten screws securely, but do not overtighten.

**Note:** The universal connector brackets are interchangeable for the left and right sides of the warming drawer. Be sure the taller vertical edge of the bracket is positioned to the outside of the warming drawer.



1. Place the microwave oven unit on top of the universal connector brackets and fasten in place using three screws per side in the outside set of holes (A). Tighten the screws securely, but do not overtighten.

**Note:** The existing screws in the microwave base help with alignment. When lowering the microwave into place on the universal connector bracket allow these screw heads to slide into the slots as shown in the illustration below. The screw nearest the front of the microwave slides into the base of the slope at the front of the bracket.



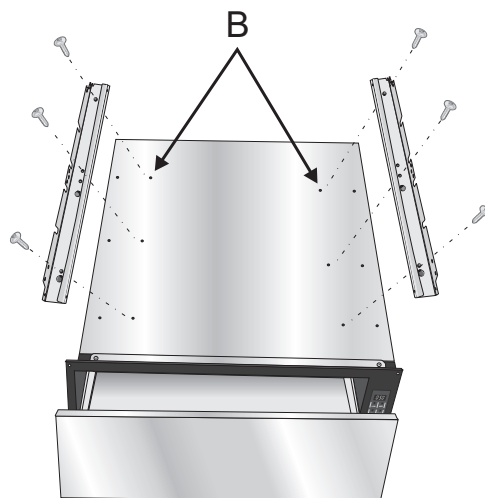
2. Continue with the unit installation in the section below describing installation of the warming drawer microwave/steam oven unit into the wall cabinet.

## Mounting the Steam Oven on the Warming Drawer

**Note:** Do not place the warming drawer into the wall cabinet until after mounting the steam oven on it using the universal connector brackets.

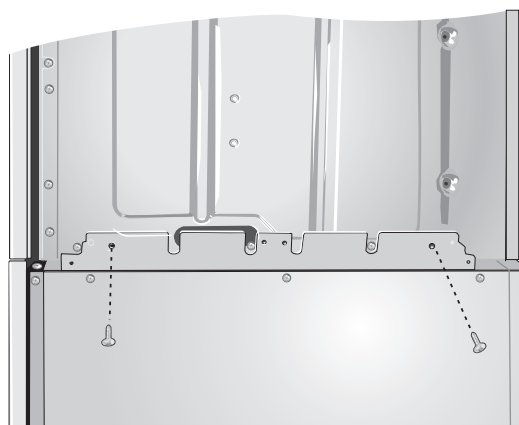
1. Attach both universal connector brackets to the warming drawer housing using six of the screws provided.
2. Mount using the holes to the inside of the unit. Tighten screws securely, but do not overtighten.

**Note:** The universal connector brackets are interchangeable for the left and right sides of the warming drawer. Be sure the taller vertical edge of the bracket is positioned to the outside of the warming drawer.



3. Place the steam oven unit on top of the universal connector brackets and fasten in place using two screws per side in the inside set of holes (B). Tighten the screws securely, but do not overtighten.

**Note:** The existing screws in the sides of the steam oven base help with alignment. When lowering the steam oven into place on the universal connector bracket allow these screw heads to slide into the slots as shown in the illustration below. The screw nearest the front of the steam oven slides into the base of the slope at the front of the bracket.



4. Continue with the unit installation in the following sections on electrical connection and installing the steam oven/warming drawer unit into the wall cabinet.

## Electrical Connection

1. Connect warming drawer power cord.  
Insert plug into three-prong, grounded outlet. See “Power Requirements and Grounding” above for electrical specifications.
2. Refer to the Steam Oven or Microwave installation manual for the relevant instructions for connection to the power supply junction box.

## Installation into the Cabinet Cutout

1. Install the warming drawer and Steam Oven or Microwave assembly into the cabinet cutout.

---

### **⚠ CAUTION**

It is recommended to have 2 installers to install the unit assembly. Failure to do so may result in property damage or personal injury.

---

Slide the assembly into the cabinet cutout until it is flush with front of the cabinet. Secure through screw holes in cleats (drill pilot holes in cleats first if necessary). See installation dimensions diagram. Secure microwave/steam oven according to installation instructions provided with those units.

2. Replace drawer.
  - Be sure cabinet rails are pushed inside cabinet.
  - Align the rails on the drawer rails with the rails attached to the drawer housing.
  - Firmly push the drawer straight into the drawer housing until the drawer clicks into place. The drawer should insert easily. If it binds, do not attempt to force it. Remove the drawer, align the slides on the housing to the front edge of the housing and try again. Slide the drawer into both housing slides at the same time, and keep the drawer level while doing so.
  - The drawer has a “push-to-open” operation. Pressing the front of the drawer inward causes the drawer to self open.
  - Open and close drawer to test operation. Note: if the drawer will not close, verify that the rail release levers are properly positioned.
3. Turn power on at the service panel.
4. Test the installation.

Turn the warming drawer on. Signal light and timer should turn on immediately. Check for warmth.

---

## Service

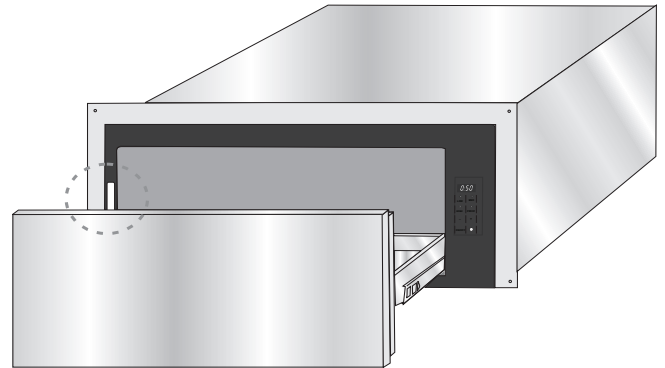
If the warming drawer elements or signal light do not turn on, check the power source to see if the circuit breaker is tripped.

See Use and Care Manual for troubleshooting information. Refer to the Statement of Limited Product Warranty in the Use and Care Manual.

To reach a service representative, see the contact information at the front of the manual. Please be prepared with the information printed on your product data plate when calling.

## Data Plate

The data plate shows the model and serial number. Refer to the data plate on the appliance when requesting service. The data plate is visible on the left side of the drawer casing. It may be necessary to remove the drawer to view it.





---

# Table des matières

<b>Sécurité</b> .....	<b>1</b>
<b>Consignes de sécurité importantes</b> .....	<b>1</b>
<b>Installation</b> .....	<b>3</b>
<b>Avant de commencer</b> .....	<b>3</b>
Outils et pièces nécessaires .....	3
Pièces comprises .....	3
<b>Informations générales</b> .....	<b>3</b>
Exigences relatives à l'alimentation et à la mise à la terre .....	3
<b>Dimensions de montage</b> .....	<b>3</b>
Tiroir-réchaud de 30 po (76 cm) .....	3
Tiroir-réchaud de 27 po (76 cm) .....	3
<b>Procédure d'installation</b> .....	<b>4</b>
Installation avec un four à micro-ondes ou à vapeur ...	4
Préparation préalable au montage .....	4
Montage du four à micro-ondes sur le tiroir-réchaud ...	4
Montage du four à vapeur sur le tiroir-réchaud .....	5
Raccordement électrique .....	6
Installation à l'intérieur de l'ouverture de l'armoire .....	6
<b>Dépannage</b> .....	<b>6</b>
Plaque signalétique .....	6

Cet appareil électroménager Bosch est fabriqué par  
BSH Home Appliances, Corporation  
1901 Main Street, Suite 600  
Irvine, CA 92614

Questions?

1-800-944-2904

[www.bosch-home.com/us](http://www.bosch-home.com/us)

Il nous fait toujours plaisir de recevoir vos commentaires!

# PRÉCAUTIONS IMPORTANTES

LIRE ET CONSERVER CES CONSIGNES

## Sécurité

### AVERTISSEMENT :

Si les informations de ce manuel ne sont pas suivies à la lettre, un incendie ou un choc électrique peuvent se produire entraînant des dommages matériels ou des lésions corporelles.

Lire toutes les instructions.

### AVERTISSEMENT :

Ne pas réparer ni remplacer des pièces de l'appareil à moins que cela ne soit expressément recommandé dans les manuels. Toute installation, réparation ou maintenance inadéquate peut entraîner des blessures ou des dommages matériels. Consulter ce manuel pour obtenir des conseils sur la façon de procéder. Tous les travaux d'entretien doivent être confiés à un technicien qualifié.

### Sécurité de manipulation de l'appareil

Les surfaces cachées peuvent comporter des arêtes vives. Faites attention en passant le bras derrière l'appareil ou en dessous.

Une étroite surveillance est nécessaire lorsqu'un quelconque appareil électroménager est utilisé par ou à proximité d'enfants.

Ne pas toucher les surfaces chaudes. Utiliser des poignées ou des boutons.

L'utilisation d'éléments de fixation auxiliaires non recommandés par le fabricant de l'appareil peut entraîner des blessures.

Ne pas utiliser à l'extérieur.

Ne pas placer sur ou à proximité d'un brûleur à gaz ou électrique chaud ou dans un four chauffé.

Ne pas utiliser l'appareil à d'autres fins que celle pour laquelle il est prévu.

Soyez très prudent lorsque vous déplacez un appareil contenant de l'huile chaude ou d'autres liquides chauds.

Pour réduire le risque d'incendie, ne pas placer un appareil diffusant de la chaleur ou un appareil de cuisson sous l'appareil.

Pour réduire le risque d'incendie, ne pas monter l'unité sur ou à proximité de toute partie d'un appareil diffusant de la chaleur ou d'un appareil de cuisson.

Pour réduire le risque de choc électrique, ne pas monter au-dessus d'un évier.

Pour réduire le risque d'incendie, ne pas placer quoi que ce soit directement sur la surface de l'appareil lorsque celui-ci est en fonctionnement.

### Codes et normes de sécurité

Cet appareil est conforme à une ou plusieurs des normes suivantes :

- UL 1026 - Appareils électroménagers pour la cuisson et la préparation des aliments
- CSA-C22.2 N° 64 - Appareils électroménagers pour la cuisson et le chauffage des liquides

Il appartient au propriétaire et à l'installateur de déterminer si des exigences et/ou des normes supplémentaires s'appliquent à des installations particulières.

### Sécurité électrique

Avant de brancher le cordon électrique, vérifier que tous les boutons de réglage sont dans la position « OFF » (Arrêt).

Ne pas laisser le cordon pendre de la table ou du plan de travail, ni entrer en contact avec les surfaces chaudes.

Toujours raccorder le cordon à l'appareil en premier, puis brancher celui-ci dans la prise murale. Pour débrancher, régler n'importe quelle commande sur « Off » (Arrêt), puis débrancher la fiche de la prise murale.

Ne pas faire fonctionner un appareil dont le cordon ou la fiche est endommagé(e) ou après un fonctionnement défectueux ou s'il a été endommagé de quelque manière que ce soit. Téléphonnez à un centre de service autorisé pour examen, réparation ou ajustement.

Pour se protéger contre tout choc électrique, ne pas immerger le cordon, les prises ou d'autres pièces électriques de l'appareil dans de l'eau ou un autre liquide.

Pour les appareils dotés d'un cordon d'alimentation avec fiche, ne pas couper ni enlever la broche de mise à la terre.

# PRÉCAUTIONS IMPORTANTES

## LIRE ET CONSERVER CES CONSIGNES

Pour éviter tout choc électrique, brancher le cordon sur une prise de courant correspondante avec mise à la terre. En cas de doute concernant la mise à la terre appropriée de la prise murale, le client doit faire vérifier celle-ci par un électricien qualifié.

Si le Code national de l'électricité (ou le Code canadien de l'électricité) l'exige, cet appareil doit être installé sur un circuit de dérivation séparé.

**Installateur** - Veuillez indiquer au propriétaire l'emplacement du disjoncteur ou du fusible. Identifier sa position pour pouvoir le retrouver facilement.

**Important** - Conserver ces instructions pour l'usage de l'inspecteur en électricité local.

Avant de procéder à l'installation, couper le courant au panneau d'entrée d'électricité. Verrouiller le panneau d'entrée d'électricité pour éviter que le courant ne soit rétabli accidentellement.

Pour des informations supplémentaires, consulter la plaque signalétique. Voir « Plaque signalétique » sous « Dépannage » pour connaître l'emplacement de la plaque signalétique.

S'assurer que l'appareil est adéquatement installé et mis à la terre par un technicien qualifié. L'installation, les connexions électriques et la mise à la terre doivent être conformes à tous les codes applicables.

### Sécurité complémentaire de l'équipement

Retirer le ruban adhésif et l'emballage avant d'utiliser l'appareil. Détruire l'emballage après avoir déballé l'appareil. Ne jamais laisser un enfant jouer avec l'emballage.

Ne jamais modifier ni altérer la structure de l'appareil. Par exemple, ne pas retirer les pieds de nivellement, les panneaux, les couvre-fils ni les supports/vis anti-basculement.

### ATTENTION :

Pour les unités dotées de panneaux en verre, manipuler le verre avec précautions pour éviter qu'il ne se casse. Les brisures de verre peuvent blesser quelqu'un.

### Avertissement issue de la proposition 65 de l'État de la Californie :

---

#### AVERTISSEMENT

---

Ce produit peut vous exposer à des produits chimiques, comme du chlorure de vinyle, reconnus par l'État de la Californie comme causant le cancer, des malformations congénitales ou d'autres effets nocifs sur la reproduction. Pour de plus amples renseignements, consultez [www.P65Warnings.ca.gov](http://www.P65Warnings.ca.gov).

---

**AVIS DE SÉCURITÉ IMPORTANT :** En application de la loi californienne concernant la salubrité de l'eau et la protection contre les substances chimiques (« California Safe Drinking Water and Toxic Enforcement Act »), le gouverneur de Californie est tenu de publier une liste des substances reconnues par l'État de Californie comme étant cancérigènes ou pouvant causer des malformations ou présenter un danger pour la reproduction, et les entreprises sont tenues d'avertir les consommateurs des risques potentiels d'exposition à de telles substances.

# Installation

## Avant de commencer

### Outils et pièces nécessaires

- Tournevis cruciforme T-20
- Ruban à mesurer
- Perceuse avec mèche (1/8 po)

### Pièces comprises

- Vis à tête étoilée T-20, #8 x 1/2 po (6)

## Informations générales

### Exigences relatives à l'alimentation et à la mise à la terre

Spécifications concernant le circuit : 120 V, 15 A, 60 Hz

La prise doit être correctement mise à la terre conformément à tous les codes applicables.

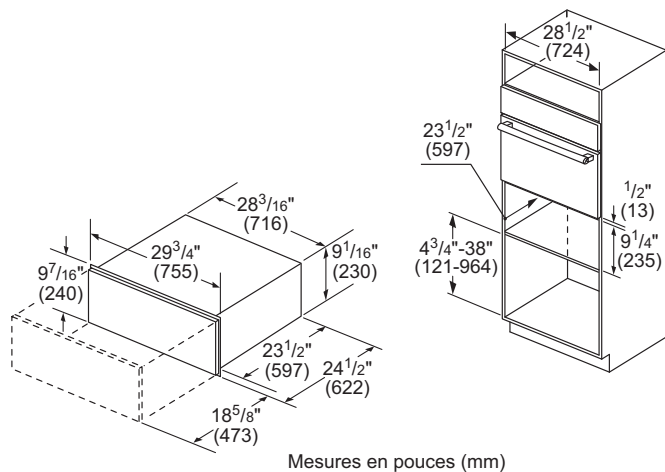
## Dimensions de montage

Les instructions sont basées sur des armoires standard (aux États-Unis) de 36 po (914 mm) de hauteur et de 24 po (609 mm) de profondeur avec un plan de travail de 25 po (635 mm). Si vous utilisez des armoires non standard, modifiez les dimensions en conséquence.

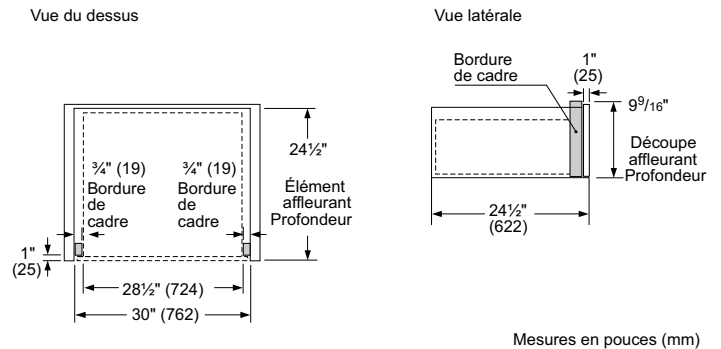
### Tiroir-réchaud de 30 po (76 cm)

#### Dimensions de l'unité et de l'armoire

Le fond de l'ouverture de l'armoire doit être capable de supporter un poids de 110 livres (50 kg).



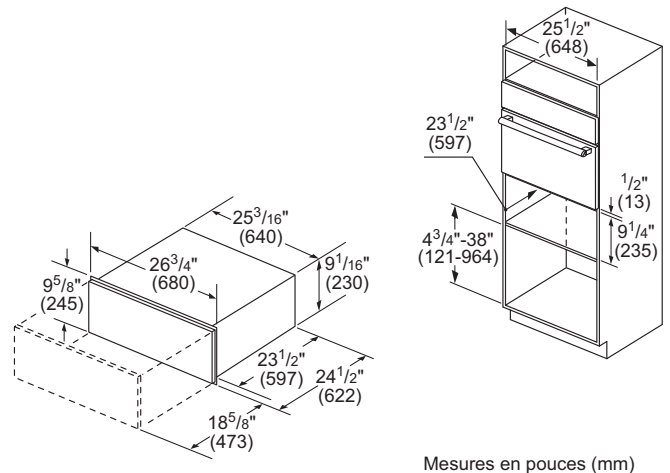
### Installation en affleurement



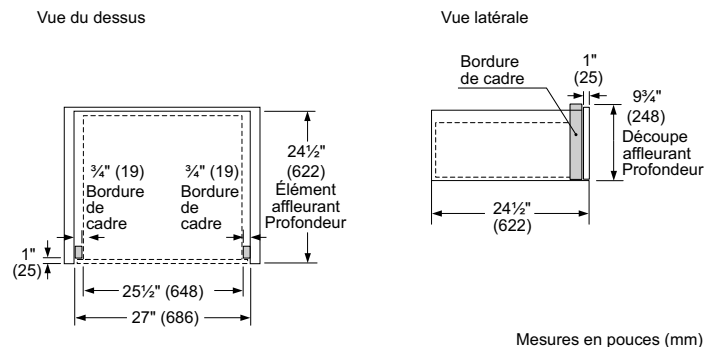
### Tiroir-réchaud de 27 po (69 cm)

#### Dimensions de l'unité et de l'armoire

Le fond de l'ouverture de l'armoire doit être capable de supporter un poids de 110 livres (50 kg).



### Installation en affleurement



# Procédure d'installation

## ⚠ ATTENTION

Avant de procéder à l'installation, couper le courant au panneau d'entrée d'électricité. Verrouiller le panneau d'entrée d'électricité pour éviter que le courant ne soit rétabli accidentellement.

## Installation avec un four à micro-ondes ou à vapeur

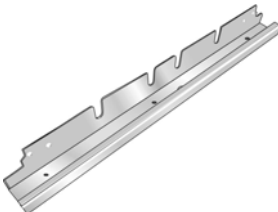

### Préparation préalable au montage

Lorsque vous montez le four à micro-ondes ou à vapeur sur le tiroir-réchaud, vous devez tout d'abord monter les unités ensemble avant de procéder à l'installation dans l'ouverture de l'armoire.

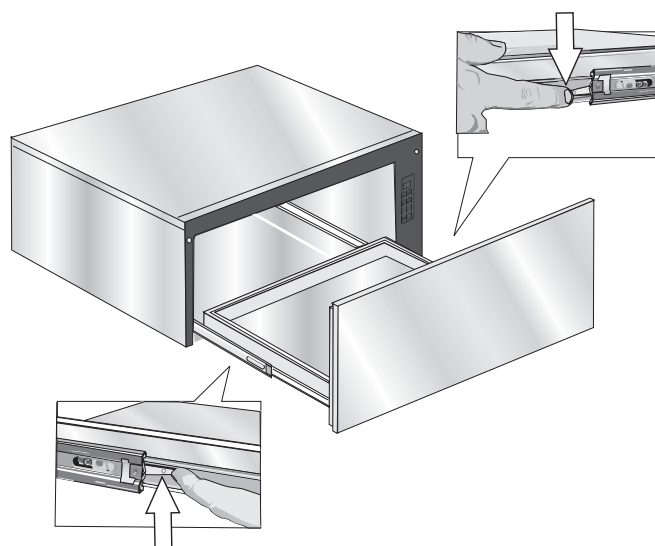
#### Remarque :

Les pièces contenues dans la boîte tubulaire de section carrée sont communes aux deux installations.

### Pièces fournies

Support de raccordement universel (2) (dans la boîte de pièces)	
Vis (16) (dans le sac rouge, à l'intérieur de la boîte de pièces)	

1. Préparer l'ouverture de l'armoire.  
Préparer l'ouverture de l'armoire et effectuer les connexions électriques selon les dimensions indiquées dans la section « Informations générales ».
2. Retirer le tiroir de son bâti.
  - a. Tirer sur le tiroir jusqu'à son ouverture complète.
  - b. Appuyer sur le levier de dégagement du tiroir à droite.
  - c. Relever le levier de dégagement du tiroir à gauche.
  - d. Tirer fermement le tiroir d'un coup sec. Rentrer les glissières du placard une fois le tiroir retiré.



3. Placer le bâti du tiroir-réchaud devant l'armoire où il doit être installé. Placer le four à micro-ondes ou à vapeur non loin de là.
4. Le tiroir-réchaud est prêt pour l'installation du four à micro-ondes ou à vapeur dessus.

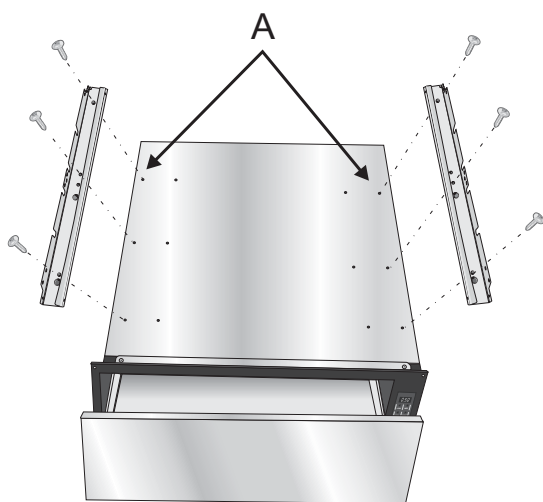
### Montage du four à micro-ondes sur le tiroir-réchaud (modèles de 30 po uniquement)

#### Réunir les supports à adapter sur le tiroir-réchaud

**Remarque :** Ne mettre le tiroir-réchaud dans l'armoire murale qu'après avoir monté le four à micro-ondes dessus à l'aide des supports de connexion universels.

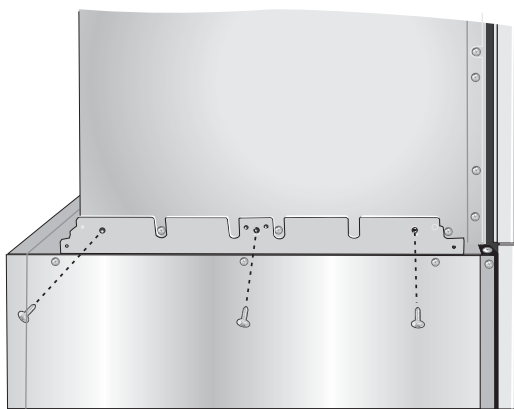
1. Fixer les deux supports de connexion universels sur le bâti du tiroir-réchaud en utilisant trois vis fournies pour chaque support. Serrer les vis à fond, mais ne pas trop serrer.

**Remarque :** Les supports de connexion universels sont interchangeables pour les côtés gauche et droit du tiroir-réchaud. Veiller à ce que le bord vertical le plus grand du support soit tourné vers l'extérieur du tiroir-réchaud.



1. Placer le four à micro-ondes sur les supports de connexion universels et le fixer à l'aide de trois vis pour chaque côté insérées dans la série de trous percés sur l'extérieur (A). Serrer les vis à fond, mais ne pas trop serrer.

**Remarque :** Les vis existantes dans la base du four à micro-ondes facilitent l'alignement. En abaissant le four à micro-ondes pour le mettre en place sur le support de connexion universel, laisser les têtes des vis glisser dans les encoches comme illustré ci-dessous. La vis la plus proche de la face avant du four à micro-ondes glisse dans la base de la partie inclinée à l'avant du support.



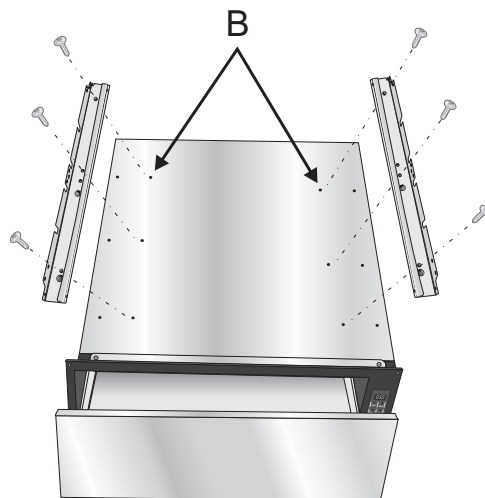
2. Continuer l'installation de l'unité en se reportant à la section ci-dessous qui décrit l'installation de l'unité tiroir-réchaud et four à micro-ondes/à vapeur dans une armoire murale.

### Montage du four à vapeur sur le tiroir-réchaud

**Remarque :** Ne mettre le tiroir-réchaud dans l'armoire murale qu'après avoir monté le four à vapeur dessus à l'aide des supports de connexion universels.

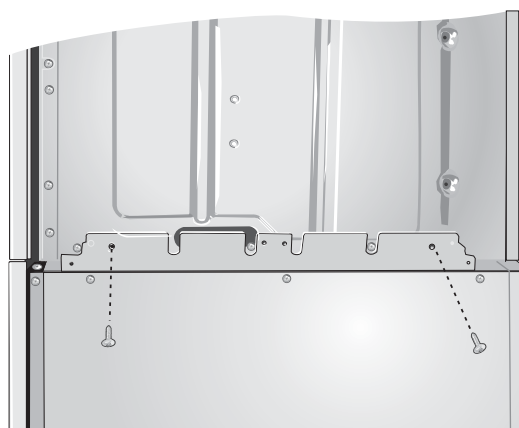
1. Installer les deux supports de connexion universels au bâti du tiroir-réchaud à l'aide de six vis fournies.
2. Le montage s'effectue à l'aide des trous pratiqués à l'intérieur de l'unité. Serrer les vis à fond, mais ne pas trop serrer.

**Remarque :** Les supports de connexion universels sont interchangeables pour les côtés gauche et droit du tiroir-réchaud. Veiller à ce que le bord vertical le plus grand du support soit tourné vers l'extérieur du tiroir-réchaud.



3. Placer le four à vapeur sur les supports de connexion universels et le fixer à l'aide de deux vis pour chaque côté insérées dans la série de trous percés sur l'intérieur (B). Serrer les vis à fond, mais ne pas trop serrer.

**Remarque :** Les vis existantes situées sur les côtés de la base du four à vapeur facilitent l'alignement. En abaissant le four à vapeur pour le mettre en place sur le support de connexion universel, laisser les têtes des vis glisser dans les encoches comme illustré ci-dessous. La vis la plus proche de la face avant du four à vapeur glisse dans la base de la partie inclinée à l'avant du support.



4. Continuer l'installation de l'unité comme indiqué dans les sections suivantes relatives au raccordement électrique et à l'installation de l'ensemble four à vapeur/ tiroir-réchaud dans l'armoire murale.

## Raccordement électrique

1. Brancher le cordon d'alimentation du tiroir-réchaud.  
Brancher la fiche dans une prise triphasée mise à la terre. Voir la section « Exigences relatives à l'alimentation et à la mise à la terre » ci-dessus pour le descriptif d'électricité.
2. Consulter le Guide d'installation du four à micro-ondes ou à vapeur pour obtenir les instructions pertinentes concernant le raccordement à la boîte de jonction de l'alimentation

## Installation à l'intérieur de l'ouverture de l'armoire

1. Installer l'ensemble tiroir-réchaud et four à vapeur ou à micron-ondes dans l'ouverture de l'armoire.

### ⚠ ATTENTION

Il est recommandé que l'installation de cet ensemble soit réalisée par deux personnes. Le non-respect de cette précaution peut entraîner des dommages matériels ou des lésions corporelles.

Faire glisser l'ensemble dans l'ouverture de l'armoire jusqu'à ce qu'elle soit à fleur de l'avant de l'armoire. Fixer à l'aide des trous pratiqués sur les tasseaux (percer d'abord, s'il y a lieu, des trous pilotes dans les tasseaux). Voir le schéma des dimensions d'installation. Fixer le four à micron-ondes/à vapeur conformément aux instructions d'installation fournies avec ces appareils.

2. Remettre le tiroir en place.
  - S'assurer que les rails de l'armoire sont enfoncés à l'intérieur de celle-ci.
  - Aligner les coulisses du tiroir sur celles du bâti du tiroir.
  - Enfoncer fermement le tiroir à l'intérieur du bâti jusqu'à ce qu'il se mette en place avec un déclic. Le tiroir doit glisser facilement. S'il se coince, ne pas forcer. Sortir le tiroir, aligner les glissières du bâti sur le bord antérieur du bâti et essayer à nouveau. Faire coulisser le tiroir dans les deux glissières du bâti simultanément, et garder le tiroir de niveau pendant l'opération.
  - Le tiroir est équipé d'un mécanisme d'ouverture à pression « push-to-open ». Il suffit d'exercer une légère pression sur la façade du tiroir pour l'ouvrir.
  - Ouvrir et fermer le tiroir pour en tester le fonctionnement. Remarque : Si le tiroir ne se ferme pas, vérifier que les leviers de dégagement des coulisses sont dans la position requise.
3. Rétablir le courant au panneau d'entrée d'électricité.
4. Vérifier l'installation.  
Mettre le tiroir-réchaud sous tension. La lampe témoin et la minuterie devraient s'allumer immédiatement. Vérifier si le tiroir diffuse de la chaleur.

## Dépannage

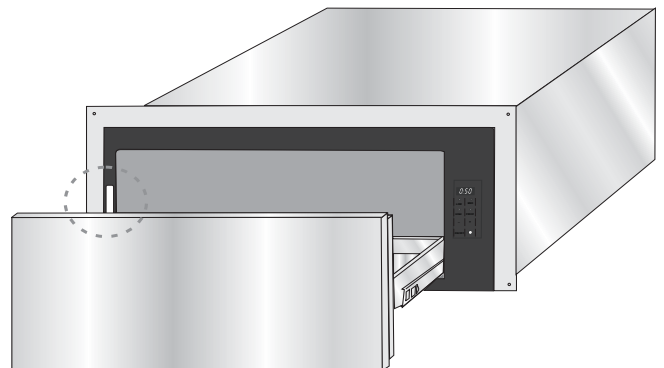
Si des éléments ou la lampe témoin du tiroir-réchaud ne s'allument pas, vérifier la source d'alimentation électrique pour voir si le disjoncteur s'est déclenché.

Voir le Guide d'utilisation et d'entretien pour obtenir des informations concernant le dépannage. Consultez l'énoncé de garantie limitée du produit dans le Guide d'utilisation et d'entretien.

Pour contacter un technicien de dépannage, consultez les coordonnées sur la couverture avant du manuel. Lorsque vous téléphonez, soyez prêt à fournir les informations imprimées sur la plaque signalétique de votre produit.

## Plaque signalétique

La plaque signalétique comporte le numéro de modèle et le numéro de série. Se reporter à la plaque signalétique de l'appareil électroménager pour faire une demande de dépannage. La plaque signalétique est apparente sur le côté gauche du caisson du tiroir. Il pourra falloir enlever le tiroir pour apercevoir la plaque signalétique.



---

# Índice

<b>Seguridad</b> .....	<b>1</b>
<b>Instrucciones de seguridad importantes</b> .....	<b>1</b>
<b>Instalación</b> .....	<b>3</b>
<b>Antes de comenzar</b> .....	<b>3</b>
Herramientas y piezas necesarias .....	3
Piezas incluidas .....	3
<b>Información general</b> .....	<b>3</b>
Requisitos de alimentación eléctrica y conexión a tierra .....	3
<b>Dimensiones de instalación</b> .....	<b>3</b>
Cajón calentador de 30 pulg. ....	3
Cajón calentador de 27 pulg. ....	3
<b>Procedimiento de instalación</b> .....	<b>4</b>
Instalación con horno de microondas o de vapor. ....	4
Preparación para el preensamblaje .....	4
Montaje el microondas en el cajón calentador .....	4
Cómo montar el horno de vapor en el cajón calentador.	5
Conexión eléctrica .....	6
Instalación en el recorte del gabinete .....	7
<b>Servicio técnico</b> .....	<b>7</b>
Placa de datos .....	7

Este electrodoméstico de Bosch es fabricado por  
BSH Home Appliances Corporation  
1901 Main Street, Suite 600  
Irvine, CA 92614

¿Tiene preguntas?

1-800-944-2904

[www.bosch-home.com/us](http://www.bosch-home.com/us)

¡Esperamos recibir sus comentarios!





# PRECAUCIONES IMPORTANTES

LEA Y CONSERVE ESTAS INSTRUCCIONES

## Seguridad

### ADVERTENCIA:

Si no sigue exactamente la información de este manual, se pueden producir un incendio o una descarga que pueden causar daños materiales o lesiones personales.

Lea todas las instrucciones.

### ADVERTENCIA:

No repare ni reemplace ninguna parte del electrodoméstico, a menos que se recomiende específicamente en los manuales. La instalación, el servicio técnico o el mantenimiento incorrectos pueden causar lesiones o daños materiales. Consulte este manual para su orientación. Cualquier otro tipo de reparación debe ser realizada por un técnico calificado.

### Seguridad en el manejo del electrodoméstico

Las superficies ocultas pueden tener bordes filosos. Proceda con cuidado al intentar tomar el electrodoméstico por la parte trasera o desde abajo.

Es necesario supervisar atentamente a los niños cuando usen el electrodoméstico o cuando este se use en su presencia.

No toque las superficies calientes. Utilice los mangos o las perillas.

El uso de accesorios no recomendados por el fabricante del electrodoméstico puede provocar lesiones.

No lo utilice en exteriores.

No lo coloque sobre una hornilla a gas o eléctrica caliente ni cerca de esta, ni en un horno calentado.

No utilice el electrodoméstico para otro uso distinto del previsto.

Debe ejercitarse una precaución extrema al mover un electrodoméstico que contenga aceite caliente u otros líquidos calientes.

Para reducir el riesgo de incendio, no coloque ningún electrodoméstico de calentamiento o cocción debajo del electrodoméstico.

Para reducir el riesgo de incendio, no monte la unidad sobre ninguna parte de un electrodoméstico de calentamiento o cocción ni cerca de ninguna parte.

Para reducir el riesgo de descarga eléctrica, no lo monte sobre un fregadero.

Para reducir el riesgo de incendio, no almacene nada directamente encima de la superficie del electrodoméstico cuando este esté funcionando.

### Códigos y normas de seguridad

Este electrodoméstico cumple con una o más de las siguientes normas:

- UL 1026: Electrodomésticos para cocinar y servir alimentos
- CSA-C22.2 n.º 64: Electrodomésticos para cocción y calentamiento líquido

Es responsabilidad del propietario y del instalador determinar si se aplican otros requisitos y/o normas en instalaciones específicas.

### Seguridad con la electricidad

Antes de enchufar el cable eléctrico, asegúrese de que todos los controles estén en la posición OFF (Apagado).

No deje que el cable cuelgue del borde de la mesa ni de la superficie de trabajo, ni que entre en contacto con superficies calientes.

Siempre conecte el enchufe al electrodoméstico primero; luego, conéctelo a la toma de corriente eléctrica de pared. Para desconectarlo, coloque todos los controles en "OFF" (Apagado) y retire el enchufe de la toma de corriente eléctrica de pared.

No haga funcionar ningún electrodoméstico con un cable o enchufe dañados, ni después de que el electrodoméstico haya tenido una avería o haya sido dañado de algún modo. Llame a una instalación de servicio técnico autorizada para su examinación, reparación o ajuste.

Para protegerlo contra descargas eléctricas, no sumerja el cable, los enchufes ni otras piezas eléctricas en el agua ni en otro líquido.

# PRECAUCIONES IMPORTANTES

## LEA Y CONSERVE ESTAS INSTRUCCIONES

Para los electrodomésticos equipados con cable y enchufe, no corte ni retire la espiga de conexión a tierra. Debe enchufarse en un receptáculo de conexión a tierra compatible para evitar la descarga eléctrica. Si tiene alguna duda respecto de si el receptáculo de pared está correctamente conectado a tierra, el cliente debe solicitar la verificación de un electricista calificado.

Si lo requiere el Código Nacional Eléctrico (National Electrical Code) (o Código Eléctrico Canadiense [Canadian Electrical Code]), este electrodoméstico debe instalarse en un circuito derivado por separado.

**Instalador:** muestre al propietario la ubicación del disyuntor o del fusible. Márquela para identificarla más fácilmente.

**Importante:** conserve estas instrucciones para el uso por el inspector de electricidad local.

Antes de realizar la instalación, apague la alimentación eléctrica en el panel de servicio. Trabe el panel de servicio para impedir que se encienda accidentalmente la alimentación eléctrica.

Consulte la placa de datos para obtener más información. Consulte "Placa de datos" en la sección "Servicio técnico" para conocer la ubicación de la placa de datos.

Asegúrese de que el electrodoméstico sea instalado y conectado a tierra correctamente por un técnico calificado. La instalación, las conexiones eléctricas y la conexión a tierra deben cumplir con todos los códigos correspondientes.

### Seguridad del equipo relacionado

Retire toda la cinta y el embalaje antes de usar el electrodoméstico. Destruya el embalaje después de desembalar el electrodoméstico. Nunca deje que los niños jueguen con el material de embalaje.

Nunca modifique ni altere la construcción del electrodoméstico. Por ejemplo, no retire las patas niveladoras, los paneles, las cubiertas de cables ni los soportes/tornillos anticaídas.

### PRECAUCIÓN:

Para las unidades con paneles de vidrio, tenga cuidado al manipular el vidrio para evitar roturas. El vidrio roto puede causar lesiones.

### Advertencia en virtud de la Proposición 65 del estado de California:

---

#### ADVERTENCIA

---

Este producto puede exponerlo a sustancias químicas, incluyendo cloruro de vinilo, que el estado de California sabe que provocan cáncer, defectos congénitos u otro daño reproductivo. Para obtener más información, ir a la página web: [www.P65Warnings.ca.gov](http://www.P65Warnings.ca.gov).

---

**IMPORTANTE AVISO DE SEGURIDAD:** La Ley de Aplicación de la Reglamentación sobre Agua Potable Segura y Sustancias Tóxicas de California (California Safe Drinking and Toxic Enforcement Act) exige al Gobernador de California publicar una lista de sustancias que el estado sabe causan cáncer, defectos congénitos u otros daños reproductivos, y exige a las empresas advertir a los clientes de la posible exposición a dichas sustancias.

# Instalación

## Antes de comenzar

### Herramientas y piezas necesarias

- Destornillador con cabeza de estrella T-20.
- Cinta métrica.
- Taladro con broca (1/8 pulg.).

### Piezas incluidas

- Tornillos con cabeza de estrella T-20, n.º 8 x 1/2 pulg. (6).

## Información general

### Requisitos de energía y conexión a tierra

Especificaciones de circuito: 120 V, 15 A, 60 Hz

La toma de corriente debe estar correctamente conectada a tierra de acuerdo con todos los códigos correspondientes.

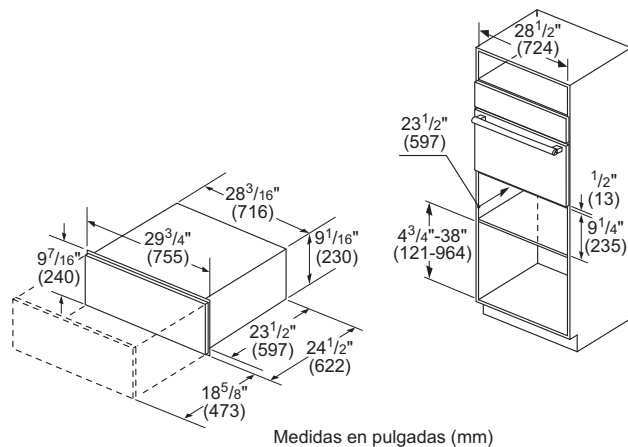
## Dimensiones de instalación

Las instrucciones se basan en gabinetes estándares (en los EUA) de 36 pulg. (914 mm) de alto y 24 pulg. (609 mm) de profundidad, con una superficie de trabajo de 25 pulg. (635 mm). Si usa gabinetes no estándares, modifique las dimensiones de manera correspondiente.

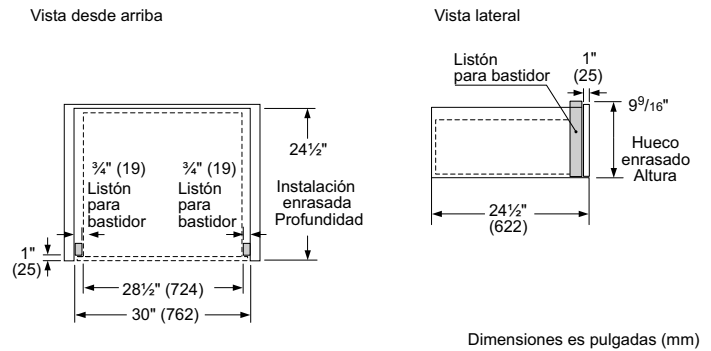
### Cajón calentador de 30 pulg.

#### Dimensiones de la unidad y del gabinete

La parte inferior de la abertura del gabinete debe ser capaz de sostener 110 libras (50 kg).



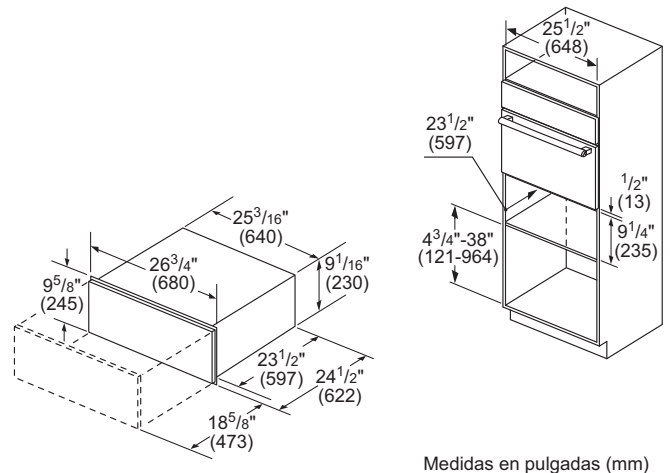
### Instalación a ras



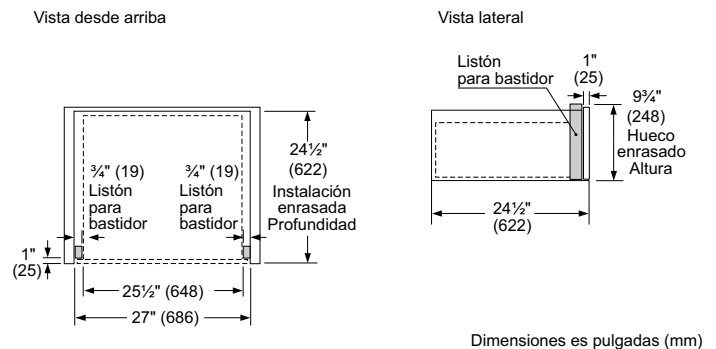
### Cajón calentador de 27 pulg.

#### Dimensiones de la unidad y del gabinete

La parte inferior de la abertura del gabinete debe ser capaz de sostener 110 libras (50 kg).



### Instalación a ras



# Procedimiento de instalación

## ⚠ PRECAUCIÓN

Antes de realizar la instalación, apague la alimentación eléctrica en el panel de servicio. Trabe el panel de servicio para impedir que se encienda accidentalmente la alimentación eléctrica.

## Instalación con un horno de microondas o de vapor

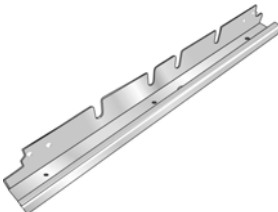

### Preparación del preensamblaje

Para montar el horno de microondas o de vapor en el cajón calentador, se requiere que las unidades se ensamblen entre sí antes de instalarse en el recorte del gabinete.

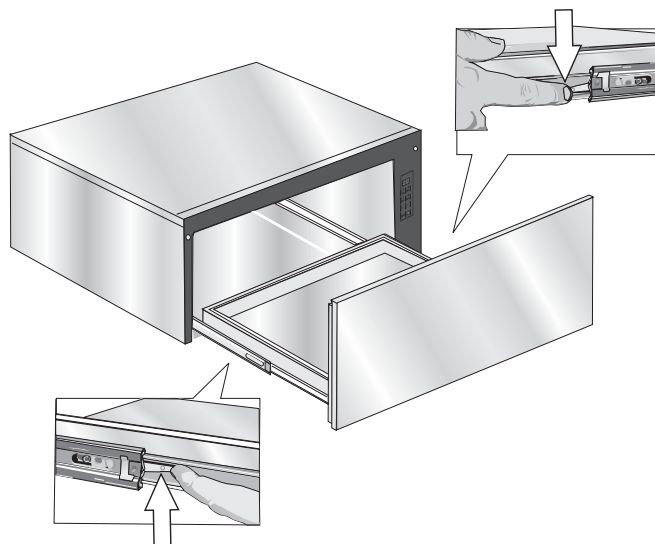
#### Nota:

Las piezas contenidas en la caja de piezas de tubo cuadrado son comunes a ambas instalaciones.

### Partes proporcionadas

Soporte de conexión universal (2) (en la caja de piezas)	
Tornillos (16) (en la bolsa roja, dentro de la caja de piezas)	

1. Prepare el recorte del gabinete.  
Prepare el recorte del gabinete e instale la conexión eléctrica de acuerdo con las dimensiones en la sección "Información general".
2. Retire el cajón de la carcasa del cajón.
  - a. Tire del cajón para abrirlo completamente.
  - b. Presione hacia abajo la palanca de liberación derecha del cajón.
  - c. Levante la palanca de liberación izquierda del cajón.
  - d. Extraiga el cajón con firmeza y en forma recta. Luego de retirar el cajón, retraiga los rieles del gabinete.



3. Posicione la carcasa del cajón calentador en frente del gabinete en el que se instalará el cajón. Posicione el horno de microondas o de vapor cerca.
4. El cajón calentador está listo para que el horno de microondas o de vapor se monten encima de él.

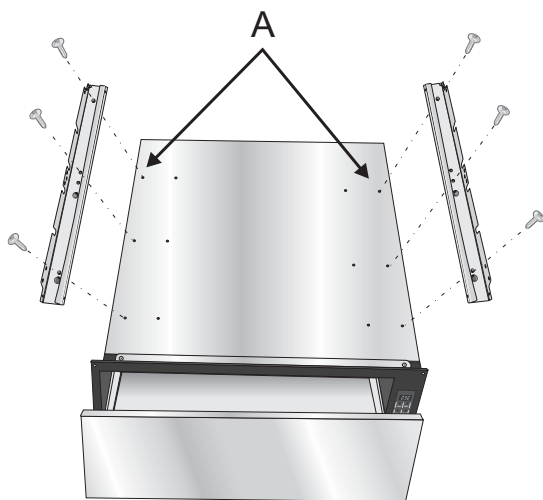
## Cómo montar el horno de microondas en el cajón calentador (solo modelos 30")

### Ensamble los soportes en el cajón calentador

**Nota:** No coloque el cajón calentador en el gabinete de pared hasta después de montar el microondas en él utilizando los soportes de conexión universales.

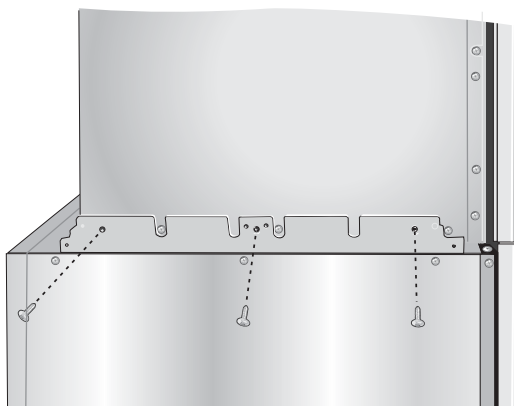
1. Conecte los dos soportes de conexión universales a la carcasa del cajón calentador utilizando tres de los tornillos que se proporcionan para cada soporte. Ajuste los tornillos firmemente, pero no los ajuste en exceso.

**Nota:** Los soportes de conexión universales pueden intercambiarse para los lados izquierdo y derecho del cajón calentador. Asegúrese de que el borde vertical más alto del soporte esté posicionado fuera del cajón calentador.



1. Coloque el horno de microondas encima de los soportes de conexión universales y sujételo en su posición utilizando tres tornillos en cada lado en el juego de orificios exterior (A). Ajuste los tornillos firmemente, pero no los ajuste en exceso.

**Nota:** Los tornillos existentes que se encuentran en la base del microondas ayudan con la alineación. Al bajar el microondas para colocarlo en su lugar en el soporte de conexión universal, deje que las cabezas de estos tornillos se deslicen en las ranuras, como se muestra en la ilustración que figura a continuación. El tornillo que se encuentra más cerca de la parte delantera del microondas se desliza en la base de la inclinación en la parte delantera del soporte.



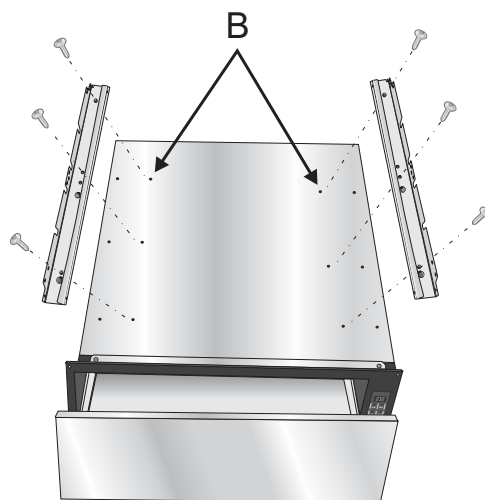
2. Continúe con la instalación de la unidad en la sección que se encuentra a continuación, que describe la instalación del horno de microondas/vapor del cajón calentador en el gabinete de pared.

## Cómo montar el horno de vapor en el cajón calentador

**Nota:** No coloque el cajón calentador en el gabinete de pared hasta después de montar el horno de vapor encima de él utilizando los soportes de conexión universales.

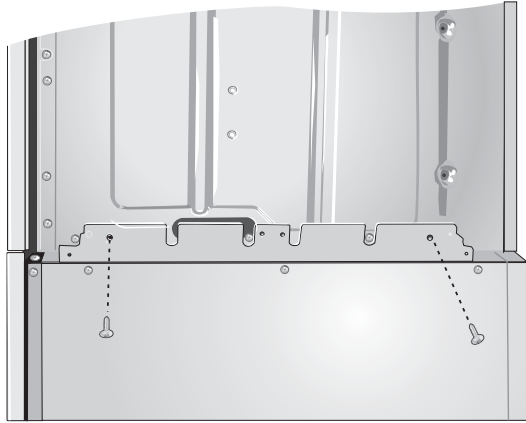
1. Conecte ambos soportes de conexión universales a la carcasa del cajón calentador utilizando seis de los tornillos proporcionados.
2. Realice el montaje utilizando los orificios que se encuentran hacia el interior de la unidad. Ajuste los tornillos firmemente, pero no los ajuste en exceso.

**Nota:** Los soportes de conexión universales pueden intercambiarse para los lados izquierdo y derecho del cajón calentador. Asegúrese de que el borde vertical más alto del soporte esté posicionado fuera del cajón calentador.



3. Coloque el horno de vapor encima de los soportes de conexión universales y sujételo en su posición utilizando dos tornillos en cada lado en el juego de orificios interior (B). Ajuste los tornillos firmemente, pero no los ajuste en exceso.

**Nota:** Los tornillos existentes en los lados de la base del horno de vapor ayudan a alinearlos. Al bajar el horno de vapor para colocarlo en su lugar en el soporte de conexión universal, deje que las cabezas de estos tornillos se deslicen en las ranuras, como se muestra en la ilustración que figura a continuación. El tornillo que se encuentra más cerca de la parte delantera del horno de vapor se desliza en la base de la inclinación en la parte delantera del soporte.



- Continúe con la instalación de la unidad en las siguientes secciones sobre la conexión eléctrica y la instalación del horno de vapor/del cajón calentador en el gabinete de pared.

## Conexión eléctrica

- Conecte el cable de alimentación del cajón calentador. Introduzca el enchufe en la toma de corriente eléctrica de tres clavijas, con conexión a tierra. Consulte la sección "Requisitos de alimentación y conexión a tierra" que se encuentra anteriormente para obtener información sobre las especificaciones eléctricas.
- Consulte el manual de instalación del horno de vapor o de microondas para obtener las instrucciones relevantes para la conexión a la caja de empalme de la fuente de alimentación.

## Instalación en el recorte del gabinete

- Instale el cajón calentador y el conjunto del horno de vapor o de microondas en el recorte del gabinete.

### **⚠ PRECAUCIÓN**

Se recomienda que 2 instaladores realicen la instalación del conjunto de la unidad. Si esto no se cumple, es posible que se produzcan daños materiales o lesiones personales.

Deslice el conjunto en el recorte del gabinete hasta que quede a ras respecto del frente del gabinete. Asegúrelo mediante orificios para tornillos en listones (de ser necesario, primero perforo orificios piloto en los listones). Consulte el diagrama de dimensiones de instalación. Asegure el horno de microondas/vapor de acuerdo con las instrucciones de instalación que se proporcionan con dichas unidades.

- Vuelva a colocar el cajón.

- Asegúrese de que los rieles del gabinete estén dentro del gabinete.
  - Alinee los rieles del cajón con los rieles adheridos en la carcasa del cajón.
  - Introduzca firmemente el cajón en el interior de la carcasa del cajón hasta que este haga clic al ubicarse en su lugar. El cajón debe introducirse fácilmente. Si se atasca, no intente forzarlo. Retire el cajón, alinee las correderas de la carcasa respecto del borde delantero de la carcasa e intente introducirlo de nuevo. Deslice el cajón sobre las dos correderas de la carcasa al mismo tiempo y mantenga el cajón nivelado al hacerlo.
  - El cajón se abre con una función que requiere presionar para abrir. Presionar la parte delantera del cajón hacia adentro hace que se abra.
  - Abra y cierre el cajón para probar la operación. Nota: si el cajón no cierra, verifique que las palancas de liberación de los rieles estén correctamente ubicadas.
- Encienda la alimentación en el panel de servicio.
  - Pruebe la instalación.

Encienda el cajón calentador. La luz de señal y el temporizador deberían encenderse de inmediato. Verifique que haya calor.

---

## Servicio técnico

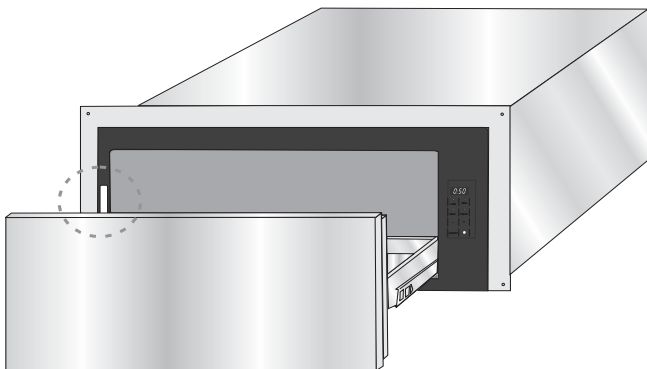
Si no se encienden los elementos del cajón calentador ni la luz de señal, verifique la fuente de alimentación para detectar si ha saltado el disyuntor.

Para obtener información sobre resolución de problemas, consulte el Manual de uso y cuidado. Consulte la Declaración de garantía limitada del producto en el Manual de uso y cuidado.

Para consultar a un representante de servicio técnico, consulte la información de contacto que aparece en el frente del manual. Cuando llame, tenga a la mano la información impresa en la placa de datos de su producto.

### Placa de datos

La placa de datos muestra el modelo y el número de serie. Al solicitar servicio técnico, consulte la placa de datos del electrodoméstico. La placa de datos puede verse sobre el lado izquierdo del revestimiento del cajón. Podría ser necesario retirar el cajón para verla.





## Thank you for buying a Bosch Home Appliance!

Register your new device on MyBosch now and profit directly from:

- **Expert tips & tricks for your appliance**
- **Warranty extension options**
- **Discounts for accessories & spare-parts**
- **Digital manual and all appliance data at hand**
- **Easy access to Bosch Home Appliances Service**

Free and easy registration – also on mobile phones:  
[www.bosch-home.com/welcome](http://www.bosch-home.com/welcome)

**BOSCH**  
HOME APPLIANCES  
**SERVICE**

## Looking for help? You'll find it here.

Expert advice for your Bosch home appliances, help with problems or a repair from Bosch experts.

Find out everything about the many ways Bosch can support you:

[www.bosch-home.com/service](http://www.bosch-home.com/service)

Contact data of all countries are listed in the attached service directory.

### **BSH Home Appliances Corporation**

1901 Main Street, Suite 600

Irvine, CA 92614

USA

[www.bosch-home.com](http://www.bosch-home.com)

© 2022 BSH Home Appliances Corporation

**8001261252**

en-us, fr-ca, es-mx



## Free Manuals Download Website

<http://myh66.com>

<http://usermanuals.us>

<http://www.somanuals.com>

<http://www.4manuals.cc>

<http://www.manual-lib.com>

<http://www.404manual.com>

<http://www.luxmanual.com>

<http://aubethermostatmanual.com>

Golf course search by state

<http://golfingnear.com>

Email search by domain

<http://emailbydomain.com>

Auto manuals search

<http://auto.somanuals.com>

TV manuals search

<http://tv.somanuals.com>