



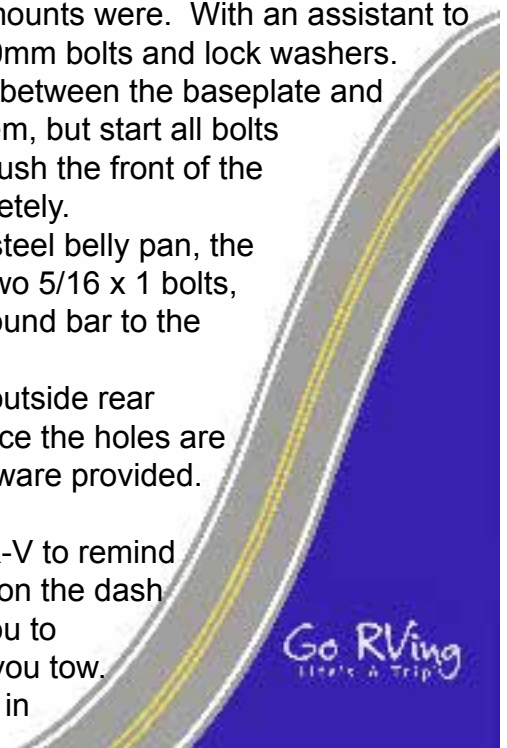
Strong As An Ox™

BX2218 Installation Instructions 1997-99 Honda CR-V

Utilization of Blue Ox baseplates with any tow bar not approved by Automatic Equipment Mfg. Company invalidates the limited warranty.

Installation of this baseplate requires removing the steel or the plastic belly pan, the round steel bar, and the tie down brackets.

1. Read the General Instruction Sheet included with this baseplate.
2. The baseplate mounts in place of the tie down brackets using six bolts supplied with the baseplate.
3. If the CR-V has a steel belly pan it will need to be removed. It can be replaced after the baseplate is mounted. Using 10mm and 12mm wrenches, remove the bolts attaching the belly pan to the vehicle. Keep the bolts for replacing the belly pan later.
4. The plastic belly pan and the round steel bar will need to be removed. There are seven plastic rivets and six bolts which mount the plastic belly pan to the vehicle. The plastic rivets can be removed by unscrewing the center with a phillips screwdriver and then prying the rivet out of the hole. There are four bolts which need a 10mm wrench to be removed and the two bolts which bolt the round bar to the tie downs will take a 12mm wrench. (If you have a steel belly pan, the two bolts that take the 12mm wrench were removed in Step 3) The two bolts that held on the cross bar will be replaced by bolts in the baseplate kit, all other hardware will be used again.
5. Using a 15mm wrench, remove the tie down brackets from both sides of the CR-V. Set the brackets and bolts aside, they will not be used again.
6. The baseplate end plates bolt in place where the tie down mounts were. With an assistant to help, hold the baseplate in position and start the 10mm x 30mm bolts and lock washers. The top bolt on each side should have a flat washer placed between the baseplate and the vehicle frame. Apply Loctite to the bolts as you start them, but start all bolts before tightening any of them. When all bolts are started, push the front of the baseplate up as high as it will go and tighten all bolts completely.
7. Replace the plastic belly pan and round bar. If you have a steel belly pan, the round bar will be mounted along with the steel belly pan. Two 5/16 x 1 bolts, flat washers, and lock washers are provided to mount the round bar to the baseplate.
8. If you have the steel belly pan you will need to enlarge the outside rear access holes to allow a 1/2" socket into the bolt pocket. Once the holes are enlarged, you can mount the belly pan using the 5/16" hardware provided. Use of Loctite on these bolts is optional.
9. Included in the manual package is a dash decal for your CR-V to remind you how to set up the transmission to tow. Place the decal on the dash of your CR-V or on the tow bar or anywhere it will remind you to make sure you transmission will be properly shifted before you tow. Detailed instructions appear later in this instruction sheet or in the Owner's Manual of the CR-V.



10. The dimensional variations between otherwise identical cars can be considerable. While the location and size of the holes in the baseplate were designed to allow for easy installation, it may be necessary to file a hole slightly to allow a bolt to clear.
11. Install the tow bar and safety cables according to the instructions included in their packages.
12. Do not substitute other devices if the tow bar pin and clip are lost.
13. DEALER OR INSTALLER: BE CERTAIN THE USER RECEIVES THE INSTRUCTION SHEET.

Tools Required

10mm Wrench 12mm Socket 15mm Wrench
 17mm Wrench Phillips Screwdriver Flat Screwdriver
 1/2" Socket Loctite Blue

Parts List

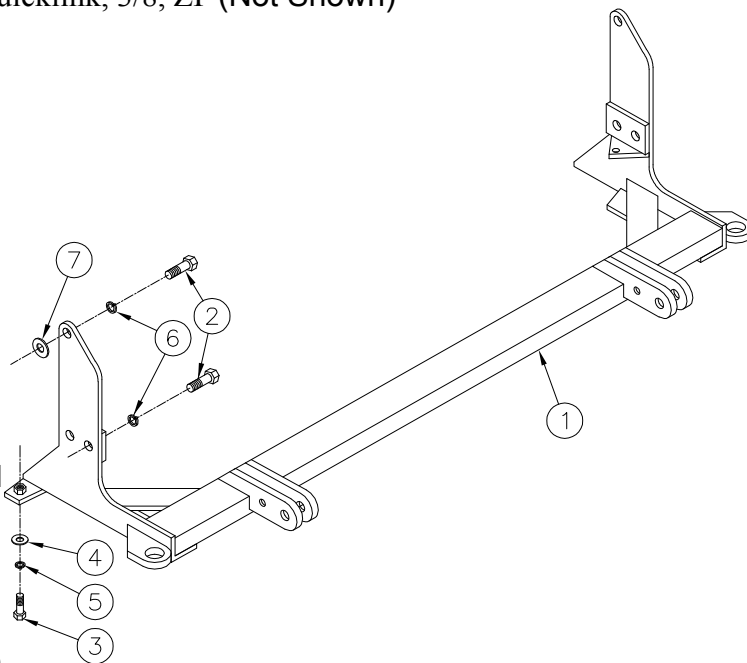
Ref. No.	Qty.	Part No.	Description
1	1	61-4977	Weldment, Baseplate, BX2218
2	6	201-0422	10mm-1.25 x 30mm Hex Bolt, Grade 8.8
3	2	201-0469	5/16-18 x 1 Hex Bolt, Grade 5
4	2	203-0002	5/16 Flat Washer
5	2	203-0009	5/16 Lock Washer
6	6	203-0104	10mm Lock Washer
7	2	203-0103	10mm Flat Washer
	1	292-2127	Decal, Honda Transmission Set-up (Not Shown)
	2	226-0046	Baseplate Safety Cable, 36" CL III (Not Shown)
	4	229-0359	Quicklink, 3/8, ZP (Not Shown)

1989 & Newer Honda Automatics

All Honda and Acura automatic transmission vehicles, any model, any year, can be towed without special pumps or drive shaft disconnects. Please note however that Honda and Acura automatic transmissions for 1989 & newer were modified so they cannot be shifted rapidly from reverse to drive. Rapid shifting from reverse to drive can damage any automatic transmission.

Honda advises that the modification leaves a portion of the automatic transmission in reverse when it is only shifted from reverse to neutral. This partial neutral condition cannot be detected by revving the engine, because the car will not move even though a portion of the transmission is still in reverse. If the car is towed on all four wheels in this false-neutral condition, the automatic transmission will be damaged.

To make sure that the automatic transmission is completely in neutral, it must be shifted to drive and then to neutral before turning the engine off and towing the car on all four wheels. In other words, a 1989 and newer model Honda or Acura car equipped with an automatic transmission can be towed on all four wheels without damaging the transmission, if the transmission lever is shifted from the drive position to the neutral position before the engine is turned off. If the transmission lever is shifted from the reverse position to the neutral position, the automatic transmission will be damaged when the car is towed on all four wheels.



General Information

1. Ensure that your product(s) are registered online at www.blueox.com. It is crucial to register your product(s) so that you may be alerted of product offerings, updates, upgrades, maintenance and safety bulletins, and/or recalls.
2. **It is the owner's responsibility to inspect all towing equipment for cracked welds, missing or worn parts and loose bolts before each towing trip.** Be sure to use Loctite® Red on all bolts and tighten to the recommended specifications.
3. **It is the owner's responsibility to hook up all towing equipment per manufacturer's instructions/recommendations.**
4. Remove the attachment tabs when not in use (if applicable).

Notice To Baseplate Installer

1. It is YOUR responsibility to watch for:

- Oil cooler and air conditioner lines
- Electrical wires and hoses
- Missing parts or attaching points on the frame

** If the baseplate is improperly installed and is against a wire or hose, it could cause fluid leaks or electrical shorts some time after the actual baseplate installation.

Permanent Baseplate Safety Cable Installation

Permanent baseplate safety cables are strongly recommended when towing a vehicle with a tow bar. The principle function of the permanent baseplate safety cables is to prevent the towed vehicle from breaking loose in the event the connection between the frame of the towed vehicle and the baseplate fails or becomes disconnected. The cables must be connected from the baseplate to the frame rail or cross member of the vehicle's frame. The illustrations below show the possible arrangements recommended by Blue Ox®. Each permanent baseplate safety cable must have an adequate weight rating for the towing system. The weight rating of the two (2) cables together will not qualify.

Do not mount the permanent baseplate safety cables against wires, hoses or brake lines.

These permanent baseplate safety cables should remain installed as long as the baseplate is installed on the vehicle. Permanent baseplate safety cables are to be used in conjunction with, and NOT a replacement for legally required safety cables attaching the towed vehicle to the towing vehicle.

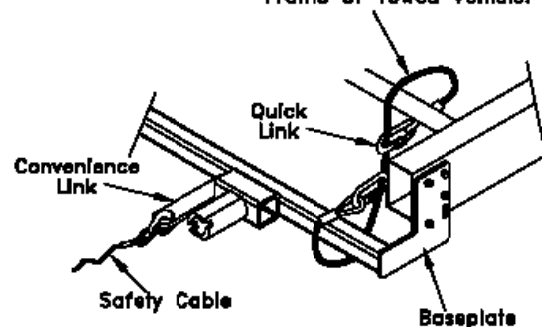
OPTION #1

Permanent Baseplate Safety Cables to Cross Member or Frame of Towed Vehicle.



OPTION #2

Permanent Baseplate Safety Cables to Cross Member or Frame of Towed Vehicle.



Free Manuals Download Website

<http://myh66.com>

<http://usermanuals.us>

<http://www.somanuals.com>

<http://www.4manuals.cc>

<http://www.manual-lib.com>

<http://www.404manual.com>

<http://www.luxmanual.com>

<http://aubethermostatmanual.com>

Golf course search by state

<http://golfingnear.com>

Email search by domain

<http://emailbydomain.com>

Auto manuals search

<http://auto.somanuals.com>

TV manuals search

<http://tv.somanuals.com>