

READ BEFORE USE

使用前阅读

Visit www.hamiltonbeach.cn for our complete line of products and Use and Care Guides – as well as delicious recipes, tips, and to register your product online!

有关我们所有系列产品的，使用与维护指南 – 以及美味食谱、生活小贴士和产品信息注册的更多信息，请访问

www.hamiltonbeach.cn.

Questions?

Please call us – our friendly associates are ready to help.

China: 800-820-6565

如有疑问？

请致电我们，我们的团队随时准备为您提供帮助。

中国：800-820-6565

使用本设备前，我们建议您仔细阅读这些说明。

Durathon™ Iron

Durathon™ 电熨斗

**Hamilton
Beach®**



English 2

简体中文 14

IMPORTANT SAFETY INSTRUCTIONS

When using your flatiron, basic safety precautions should always be followed, including the following:

READ ALL INSTRUCTIONS BEFORE USING

1. Only use an iron for its intended use.
2. To avoid the risk of electric shock, do not immerse the iron in water or other liquids.
3. Always turn the iron to OFF before plugging or unplugging the iron from the electrical outlet. Never pull on the cord to disconnect the iron from the electrical outlet; instead, grasp the plug and pull on the plug to disconnect the iron.
4. Do not let the cord touch hot surfaces. Let the iron cool completely before putting the iron away. Coil the cord loosely around the iron for storing.
5. Always disconnect the iron from the electrical outlet before filling the iron with water, emptying the water from the iron, and when the iron is not in use.
6. Do not operate the iron with a damaged cord or in the event the iron has been dropped or damaged or there are visible signs of damage or it is leaking. To avoid the risk of electric shock, do not disassemble the iron. Take it to a qualified serviceman for examination and repair. Incorrect assembly might result in a risk of electric shock when the iron is used after reassembly.
7. The iron must be used and rested on a stable surface.
8. When placing the iron on its stand, ensure that the surface on which the stand is placed is stable.
9. Close supervision is required for any appliance used by or near children. Do not leave the iron unattended while the iron is connected or on an ironing board.
10. Burns can occur from touching hot metal parts, hot water, or steam. Use caution when you turn a steam iron upside down—there might be hot water in the reservoir.
11. To avoid a circuit overload, do not operate an iron on the same circuit with another high-wattage appliance.
12. If an extension cord is absolutely necessary, a cord with an ampere rating equal to or greater than the maximum rating of the iron shall be used. A cord rated for less amperage can result in a risk of fire or electric shock due to overheating. Care shall be taken to arrange the cord so that it cannot be pulled or be tripped over.

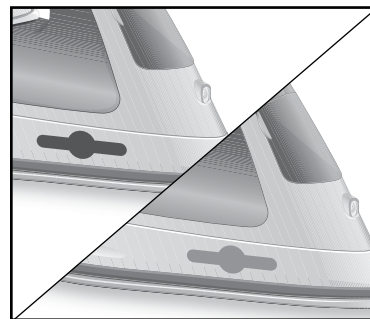
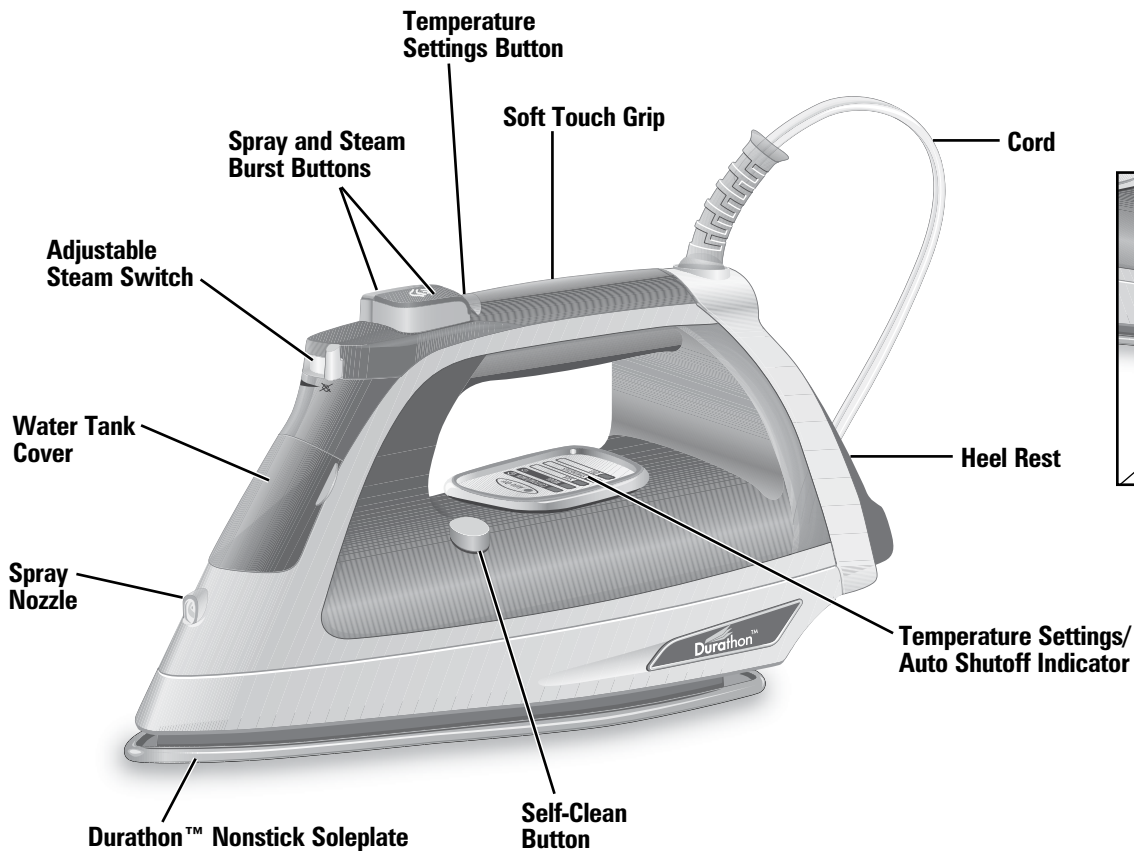
SAVE THESE INSTRUCTIONS!

OTHER CONSUMER SAFETY INFORMATION

This product is intended for household use only.

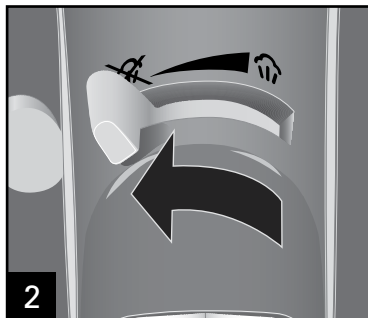
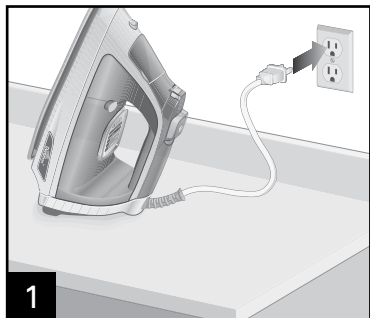
- Use the iron on an ironing board. Ironing on any other surface may damage that surface.
- Do not iron or vertical-steam clothes that are being worn.
- Do not use vertical steam in the direction of people or pets.
- During first use of the iron, it may appear to smoke. This will stop and does not indicate a defect or hazard.
- Many irons spit or sputter during the first few uses with tap water. This happens as the steam chamber becomes conditioned. This will stop after a few uses.
- To clean steam vents before first use, prepare iron for steam ironing and then iron over an old cloth for a few minutes while letting the iron steam. Press the Steam Burst button several times to clean the vents. Then follow the self-cleaning instructions on page 12.


Parts and Features



High Temperature Indicator
(refer to page 9 for more information)

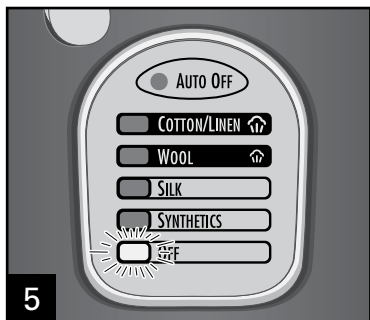
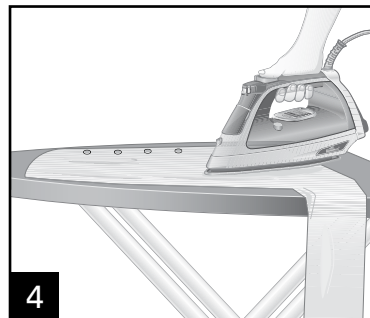
How to Dry Iron



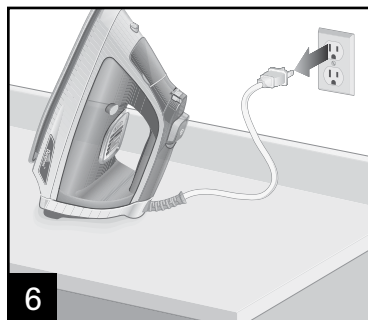
Set the Adjustable Steam Switch to  (Dry Iron).



Press Temperature Settings Button to select desired temperature. Allow 2 minutes for iron to reach maximum temperature. The light will blink while preheating.






To turn iron off, press Temperature Settings Button until OFF is illuminated. The light will stay on until iron is unplugged.



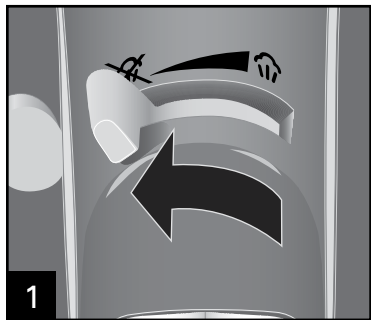
POSITION SENSING/AUTO SHUTOFF


The iron will turn off automatically when left in the following positions. The Auto Shutoff time varies based on the iron's position.

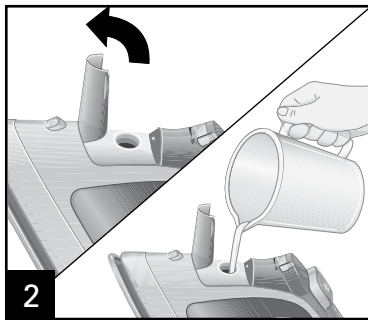
IRON POSITION		MOTIONLESS TIME
Resting on soleplate		30 seconds
Resting on either side		30 seconds
Resting on heel		15 minutes

NOTE: Moving the iron will reset the Auto Shutoff sensor.

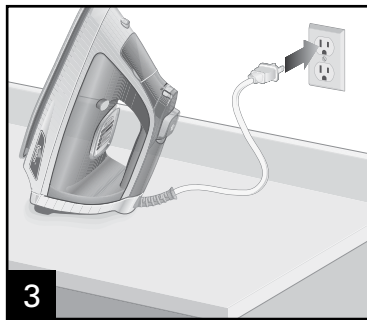
How to Steam Iron



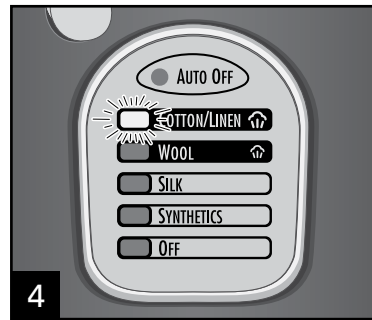
1 Set the Adjustable Steam Switch to  (Dry Iron).



2



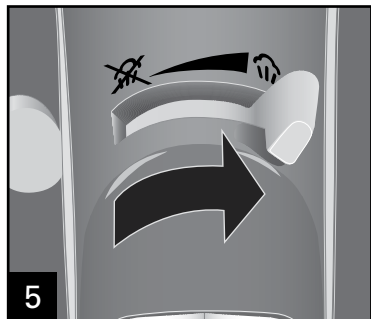
3



4

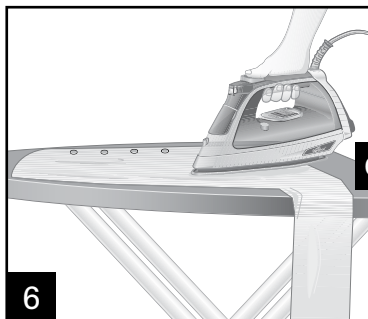
Press Temperature Settings Button to select desired fabric setting in the steam range. Allow 2 minutes for iron to reach maximum temperature. The light will blink while preheating.

WARNING! Burn Hazard: Attempting to steam iron on a lower temperature setting or failing to allow the iron to preheat for 2 minutes can result in hot water dripping from the soleplate.



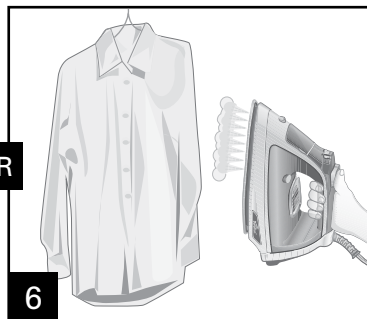
5

Set Adjustable Steam Switch to the desired steam level.



6

OR




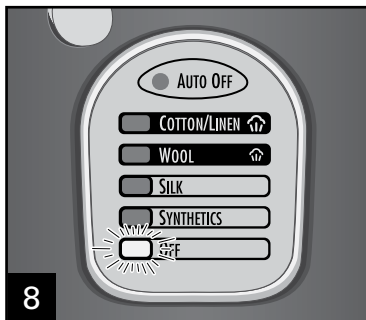
6

For vertical steaming, hold iron 6 inches (15 cm) from garment and do not allow hot soleplate to touch delicate garments. Press and release the Steam Burst Button to steam out wrinkles. Wait at least 5 seconds before pressing Steam Burst Button again.

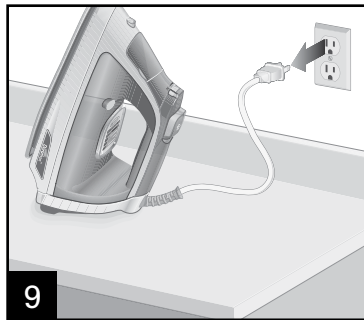
How to Steam Iron (cont.)



7 To turn iron off, set Adjustable Steam Switch to  (Dry Iron).






8 Press Temperature Settings Button until OFF is illuminated. The light will stay on until iron is unplugged.



9

POSITION SENSING/AUTO SHUTOFF



The iron will turn off automatically when left in the following positions. The Auto Shutoff time varies based on the iron's position.

IRON POSITION		MOTIONLESS TIME
Resting on soleplate		30 seconds
Resting on either side		30 seconds
Resting on heel		15 minutes

NOTE: Moving the iron will reset the Auto Shutoff sensor.

Fabric Setting Chart

NOTICE: To avoid garment damage, check garment label for fabric composition and ironing instructions.

Steam Setting	Temperature Setting	Ironing Instructions
 Dry Iron	OFF	OFF
	Synthetics • Low	Dry iron using spray if necessary.
 Steam Range	Silk, Wool •• Medium	Iron silk on wrong side.
	Cotton, Linen ••• High	For cotton, iron while still damp or use spray. For linen, iron fabric on wrong side.

Garment Label Symbols

Fabric care labels on garments have symbols that show ironing instructions and recommended temperature settings. These symbols are shown below along with an explanation of their meaning.



Iron



High Temp Setting



Medium Temp Setting



Low Temp Setting



Do not iron



Do not use steam

High Temperature Indicator

After the iron has been preheated (approximately 2 minutes after turning on the iron), the High Temperature Indicator will gradually change from all black to red. When the High Temperature Indicator is all black again (approximately 35 minutes after turning off the iron), the iron is cool enough to put away.

WARNING! Burn Hazard: The High Temperature Indicator is a guideline only. Always avoid contact with the soleplate of the iron.

Due to usage conditions, the High Temperature Indicator may stop working before the end of the iron's useful life. It may start to remain red after the iron cools down. Replacement High Temperature Indicators are available by calling 800-820-6565.



Iron is cool enough to store.



Iron is too hot to store.

Tips for Best Ironing Results

FABRIC FACTS AND LABELS:

Every fabric is different and should be treated accordingly. The label inside clothing or linens should recommend fabric care instructions that include ironing treatment. As a general rule, these instructions should be followed. If the fabric is a blend, use a low temperature setting. If you do not know what the content of the fabric is, use the lowest temperature first and test on an inside seam.

PREPARE TO IRON:

1. Cover your ironing board with a padded, heat-resistant cover. Brush or wipe off any dust, dirt, or debris so it doesn't end up on your clothes.
2. To set the height of the ironing board, stand with your elbows bent at right angles; then drop your hands slightly so that your arms are in a comfortable position. Set the height of your ironing board to this height.
3. Check the soleplate (the surface of the iron that meets the fabric) for mineral deposits or scorched material before you begin ironing. If these deposits or minerals are left on the soleplate, they may end up on your clothes. Unsure? Test-glide the iron on a rag or old towel first.

TEST KITCHEN TIP: To clean an iron's soleplate, preheat the iron to the highest temperature setting and iron over a damp, 100% cotton cloth. This creates heavy steam that transfers grime from the soleplate to the cloth. Many irons have a Self-Clean Button. This will clean the steam holes, but it will not remove grime from the flat surface of the soleplate. **NOTE: Care should be used while cleaning; steam can burn.**

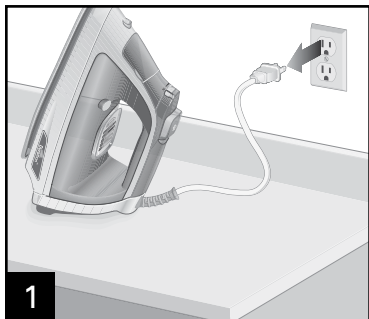
FAST FACTS:

- Don't iron in a circular motion as this can stretch fabric. Instead, iron lengthwise.
- Natural fibers such as cotton and linen should be ironed slightly damp for faster, easier ironing. If they are completely dry, use maximum steam while ironing or mist them with water prior to ironing.
- Any portion of a garment that has 2 layers of fabric such as pockets, seams, collars, and cuffs should be ironed inside out first.
- To press a collar, iron from the points in using small strokes of the iron. After wrinkles are pressed out, crease the collar into place by hand—not with the iron. Treat French cuffs similarly, gently creasing by hand after ironing.

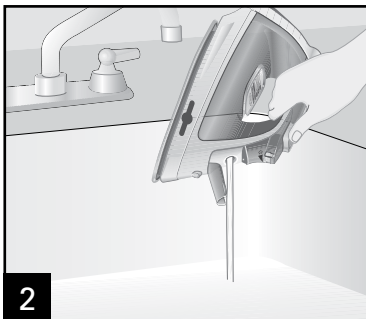
IRONING VERSUS PRESSING:

- You may have heard the terms "ironing" and "pressing" used interchangeably, but they are actually quite different. When ironing, you slide the iron back and forth over fabric. When pressing, the iron is placed and held on the fabric in one spot, lifted up, and this process is repeated until the areas that need attention are smooth. A "pressing" technique is helpful to avoid stretching fabrics.
- A pressing cloth can help reduce unwanted "shine" on fabrics. You can purchase a pressing cloth in the laundry care section, or a clean white dish towel or 100% cotton pillowcase works equally well. You do not need to increase the recommended iron temperature when using a pressing cloth.

Care and Cleaning



Allow iron to cool.



To empty water from iron, open the water tank cover and slowly tilt pointed end of iron over sink until water runs out.



Do not store iron laying flat on soleplate.

Soleplate Care

To clean an iron's soleplate, preheat the iron to the highest temperature setting and iron over a damp, 100% cotton cloth. This creates heavy steam that transfers grime from the soleplate to the cloth. Many irons have a Self-Clean Button. This will clean the steam holes, but it will not remove grime from the flat surface of the soleplate.

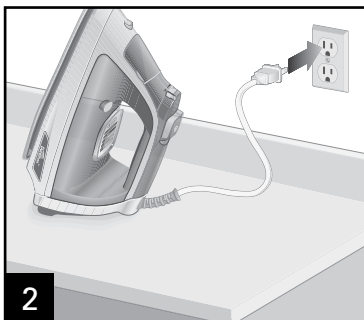
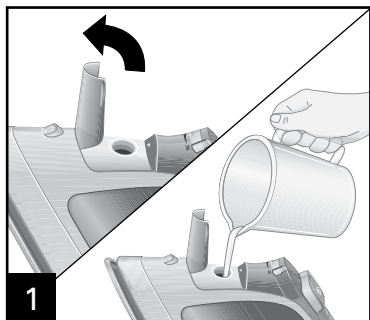
NOTE: Care should be used while cleaning; steam can burn.

NOTICE: To avoid damage to the iron soleplate:

- Never iron over zippers, buttons, pins, metal rivets, or snaps, since they may scratch the soleplate surface.
- Allow the iron to cool and wipe with a soapy, soft damp cloth to clean occasional buildup on the soleplate. Never use abrasive cleaners or metal scouring pads, since they may scratch the surface.

Self-Clean Feature

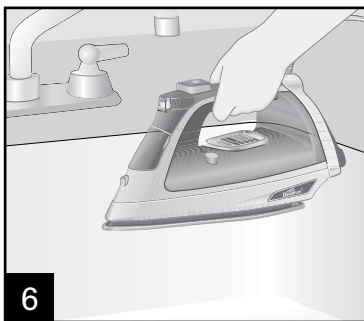
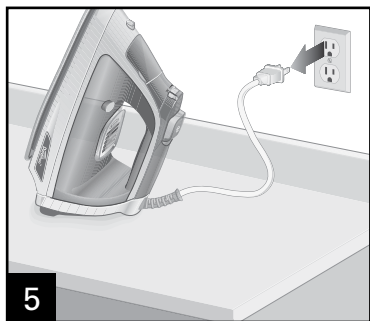
To keep the steam vents clear of any buildup, follow these instructions each time you iron using steam.



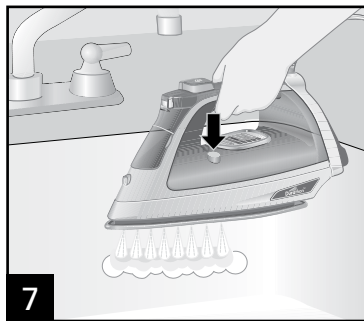
Press Temperature Settings Button until COTTON/LINEN is illuminated and let iron heat until light stops blinking.



Press Temperature Settings Button until OFF is illuminated. The light will stay on until iron is unplugged.



Hold iron over sink.



Press and hold the Self-Clean Button until tank is empty.

Troubleshooting

PROBLEM

PROBABLE CAUSE

Iron won't heat.

- Is iron plugged in and the outlet working? Check outlet by plugging in a lamp.
- Has a temperature been selected?
- Is the Auto Off light illuminated? Move the iron to reset.

Water is leaking.

- Do not overfill the water tank.
- Adjust steam to a lower setting.
- If steam ironing, is the Adjustable Steam Switch in a steam position? Has a temperature been selected? Did the iron have enough time to preheat?
- If dry ironing, make sure the Adjustable Steam Switch is in the ☒ (Dry Iron) position.

Iron won't steam.

- Check water level.
- Is the Adjustable Steam Switch in the ☒ (Steam) position?
- Has the iron had enough time to preheat?
- Anti-drip feature will not allow steam when temperature setting is in the dry range.

Iron leaves spots on clothing.

- ALWAYS empty water tank after using. Water left in tank may discolor clothing and soleplate.

Twisted cord.

- If the iron cord should become twisted, unplug iron and let cool. Hold iron cord in the middle of entire length. Let plug and iron dangle freely until cord uncoils. This will extend the life of the iron cord.

Wrinkles not removed.

- Choose correct temperature setting for your fabric.

Iron too hot/not hot enough.

- Adjust temperature to desired setting. Let iron cool down 5 minutes before continuing.

重要安全说明

在使用电熨斗时，应始终遵守基本的安全防范措施，包括以下内容：

使用前阅读所有说明

1. 本电熨斗仅可用于预定的用途。
2. 请勿将电熨斗浸泡在水或其他液体之中，以免发生电击危险。
3. 电熨斗在接通电源或断电之前，必须保证电熨斗的开关为关闭 (OFF) 状态。断电时，请握紧电源插头拔下，严禁直接拉拔电熨斗的电源线。
4. 请勿将电熨斗的电源线与热工作面接触。电熨斗不使用，存放前必须完全冷却。将电源线绕电熨斗适当盘起存放。
5. 电熨斗在加水、放水前，以及不用时，必须断开与电源插座的连接。
6. 在下列情况下，请勿使用电熨斗：电源线破损、电熨斗曾跌落或已经损坏、或电熨斗有损坏或漏水迹象。请勿自行拆卸电熨斗，以免发生电击危险。电熨斗的检查和检修必须由合格的维修人员执行。电熨斗拆卸后，如果未正确安装则可能发生电击危险。
7. 电熨斗必须在平稳的表面上使用和存放。
8. 当电熨斗放置在专用熨斗架上时，必须保证放置熨斗架的表面平稳。
9. 儿童使用或在儿童附近使用电熨斗时，一定要密切监督。当电熨斗接通电源或在熨衣板上时，请勿离开。
10. 接触高温电熨斗金属底板、热水或蒸汽，会引起灼伤危险。在倒转蒸汽熨斗的情况下，必须小心谨慎——水箱中可能含有剩余的热水。
11. 为避免电路过载，请勿将电熨斗和其他高功率的电器在同一条线路中使用。
12. 如果需要电源延长线，那么电源延长线的额定电流必须大于或等于电熨斗电源线的最大额定值。使用的电源延长线的额定电流过小会导致电源线过热，从而引起火灾或电击危险。电熨斗在使用时，请注意不要拉扯或缠绕电源线。

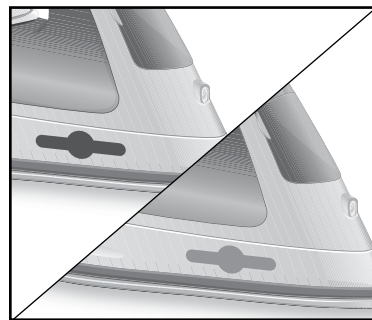
请妥善保管这些说明！

其他用户安全信息

本产品仅限家庭使用。

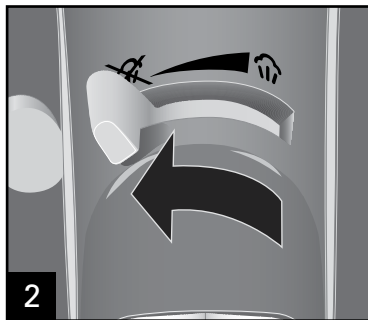
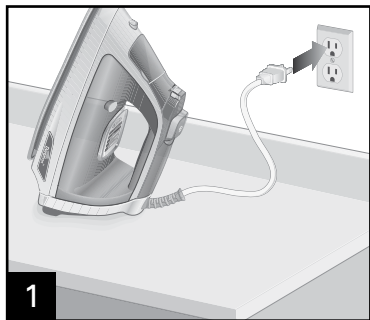
- 请在熨衣板上使用电熨斗。在其他材质的表面上熨烫，可能会导致破坏其表面。
- 请勿熨烫或垂直蒸汽熨烫正在身上穿着的衣服。
- 请勿将垂直蒸汽熨烫直接对着人或宠物。
- 电熨斗首次使用时可能会有烟产生，这属于正常现象。一段时间后会自行消失，这并不表明产品有缺陷或导致危险。
- 电熨斗在使用非蒸馏水时，初次（前几次）可能会产生喷溅现象。电熨斗蒸汽箱不稳定时，会出现喷溅情况。电熨斗使用数次后，喷溅现象就会消失。
- 电熨斗使用前，请先清洗蒸汽孔。首先，将电熨斗调节为蒸汽熨烫，然后在废旧布上用蒸汽熨烫几分钟。按压加大蒸汽按钮几次，以清洁蒸汽孔。然后按照第24页的自动清洁说明进行操作。

部件与功能



高温指示牌
(详细信息请参阅第21页)

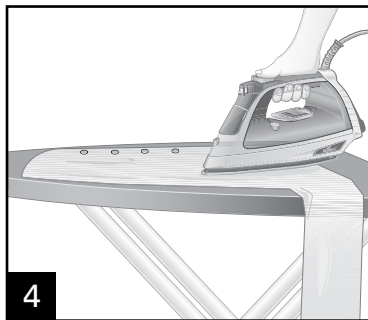
如何使用干熨



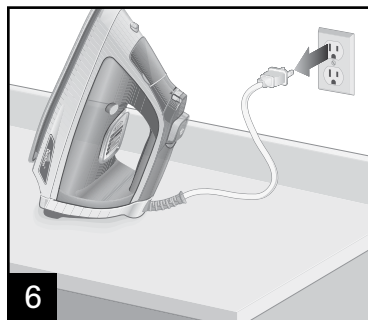
旋转“蒸汽量调节开关”至 ☒ (干熨)



调节“温度设置按钮”至所需温度。预热两分钟，直至电熨斗达到所设定的最高温度。预热过程中，指示灯会闪烁。






要关闭电熨斗，按住“温度设置按钮”直至“OFF”指示灯亮起。在电熨斗未断电前，“OFF”指示灯保持长亮。



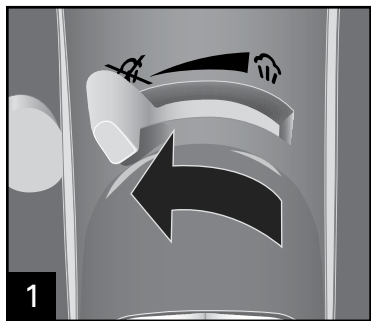
位置感应/自动断电


当电熨斗以下列方式放置的时候，电熨斗会自动断电。电熨斗自动断电时间随着电熨斗的放置方式的不同而不同。

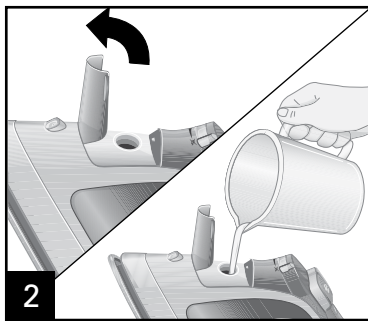
电熨斗放置方式		静置时间
水平放置		30 秒
侧立放置		30 秒
垂直放置		15 分钟

注意：移动电熨斗，电熨斗的自动断电感应器将会被重置。

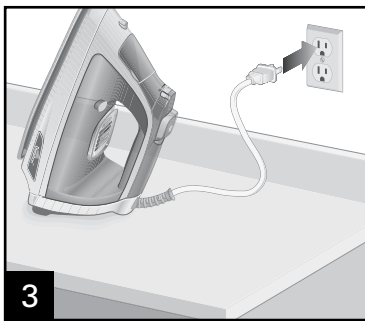
如何使用蒸汽熨



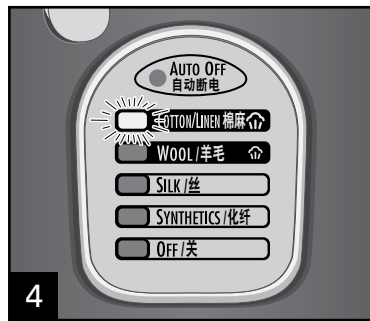
1 旋转“蒸汽量调节”开关至  (干熨)



2



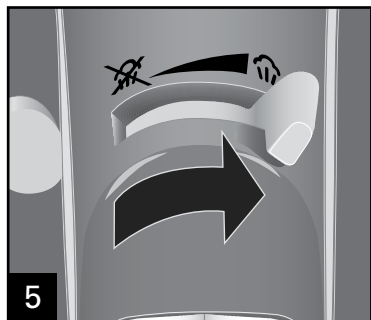
3



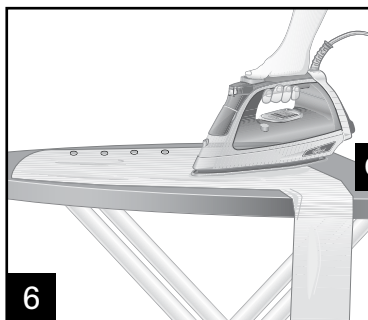
4

调节“温度设置按钮”，选定合适的所需熨烫织物类型。预热两分钟，直至电熨斗达到所设定的最高温度。预热过程中，指示灯会闪烁。

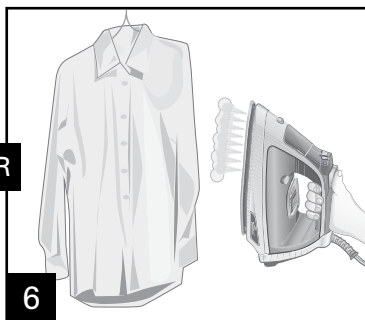
警告！灼伤危险：蒸汽熨烫的温度过低或预热时间不够两分钟，将会导致热水从电熨斗的底板漏出。



5 旋转“蒸汽量调节开关”至所需的蒸汽量。



OR

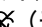


6

垂直熨烫：握住电熨斗，使其离衣物的距离为6英寸（15厘米），电熨斗的底板严禁与精致衣物直接接触。然后，按压喷水和加大蒸汽按钮，通过吹出的蒸汽熨平衣物。蒸汽按钮的按压间隔时间不得小于5秒。

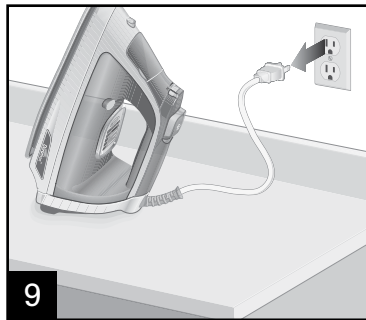
如何使用蒸汽熨 (续)



7 要关闭电熨斗，旋转“蒸汽量调节开关”至  (干熨)。






8 按住“温度设置按钮”直至OFF/关指示灯亮起。在电熨斗未断电前，OFF/关指示灯保持长亮。



9

位置感应/自动断电

当电熨斗以下列方式放置的时候，电熨斗会自动断电。电熨斗自动断电时间随着电熨斗的放置方式的不同而不同。

电熨斗放置方式		静置时间
水平放置		30 秒
侧立放置		30 秒
垂直放置		15 分钟

注意：移动电熨斗，电熨斗的自动断电感应器将会被重置。

衣物熨烫设定表

注意：为避免衣物因熨烫而损坏，请注意衣物标签上的材质和熨烫说明。

蒸汽设置	温度设置	熨烫说明
 干熨	关闭	关闭
	合成纤维 • 低档	必要时使用喷雾干熨。
	丝绸织品、 羊绒制品 •• 中档	反面熨烫丝绸。
 蒸汽量	棉制品、 亚麻织物 ••• 高档	棉制品，潮湿时熨烫 或使用喷雾熨烫。 亚麻织物，反面熨烫 织物。

衣物标签标志

衣物上的保养标签标志指示衣物的熨烫说明以及所推荐的熨烫温度。下图所示衣物保养标签的标志符号及意义。



可熨烫



高温熨烫



中温熨烫



低温熨烫



不可熨烫



不可蒸汽熨烫

高温指示牌

电熨斗预热后（约为通电后两分钟），高温指示牌将逐渐由黑色变为红色。当高温指示牌逐渐变为全黑（约为断电后35分钟），此时，可以将电熨斗安全存放。

警告！灼伤危险：热点指示灯仅表示可能会引起灼伤危险。避免与电熨斗的底板直接接触。根据具体使用条件的不同，电熨斗在使用有效期内热点指示灯可能会停止工作。如果电熨斗冷却后高温指示牌仍保持红色。请致电800-820-6565咨询更换高温指示牌。



电熨斗冷却，可安全存放。



电熨斗过热，不可安全存放。

熨烫小贴士

织物标示和标签：

应当根据衣物材质的不同，相应对电熨斗进行设置。衣服或内衬的里面的标签应该有建议的保养方法，包括熨烫处理。在一般情况下，应遵守这些方法。如果衣物材质为混合织物，则采用低温熨烫。如果不清楚衣物材质的种类，应首先采用低温熨烫衣物的内边缝进行测试。

熨烫的准备工作：

1. 首先，用耐热罩盖住熨衣板。擦掉熨衣板上面的灰尘、污物或碎屑，以免粘到衣服上。
2. 其次，调整熨衣板高度。站在熨衣板前，双肘自然弯曲；然后，缓慢放下双手至胳膊舒适的位置。将熨衣板调整至此高度。
3. 最后，在开始熨烫前，请检查电熨斗底板（与衣物接触的表面）是否有残留金属物或烧焦物。如果电熨斗底板上有多余物，这可能会粘到您的衣物上。不确定？可以先在抹布或旧毛巾上测试。

清洁小贴士：清洁电熨斗的底板，首先将电熨斗的温度设置为最大值，待预热完成后，然后再在100%湿纯棉布上熨烫。这样可以产生大量的蒸汽，从而将电熨斗底板上的污垢转移到棉布上。许多电熨斗都有自动清洁按钮。但这只能清洁蒸汽孔，而不能清洁电熨斗底板上残留的污垢。**注意：电熨斗清洁时请注意，谨防被蒸汽烫伤。**

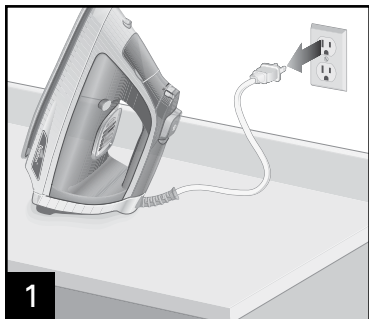
快速了解：

- 请勿以圆周运动的方式进行熨烫，以免使衣物被拉伸。熨烫时，请沿直线纵向进行熨烫。
- 天然纤维，如：棉制品、亚麻织物，应采用微湿、迅速的熨烫方法。如果衣物十分干燥，那么，熨烫时请采用最大蒸汽量或者在熨烫前用水将衣物润湿。
- 衣物上有两层布料的地方，如：口袋、缝合处、衣领、以及袖口，都需要采用内外熨烫的方式。
- 压烫衣领：用电熨斗的尖部采用轻轻的压烫，当衣领的褶皱平顺后，再用手将衣领折叠成型——不要使用电熨斗。法式袖口的熨烫方式与衣领熨烫相似，熨烫完成后，用手折叠袖口成型。

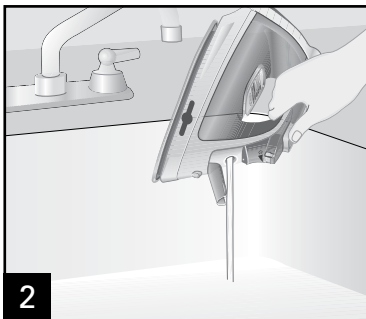
平熨与压熨：

- 术语“平熨”与“压熨”常被互用，但是它们所表示的含义却大不相同。平熨表示：在衣物的表面上向前向后移动电熨斗。压熨表示：将电熨斗按压在衣物的某处，然后提起电熨斗，重复上述步骤，直至衣物上的褶皱完全消失。采用“压熨”方式可以有效的避免纤维织物的拉伸。
- 压熨布有助于减少布料上的多余“光泽”。你可以在洗衣店的护理区购买到压熨布，也可用干净的白色抹布或100%的纯棉枕套代替。使用压熨布的时候，不需要提高熨烫温度。

护理与清洁



1 让电熨斗完全冷却。



2 排空电熨斗水箱中的水。首先，打开电熨斗的水箱罩；然后，将电熨斗倾斜，再缓慢的倾倒出水箱中的水，直至水箱倾倒干净。



3 电熨斗不用存放时，严禁底面朝下。

电熨斗底板的护理

清洁电熨斗的底板。首先将电熨斗的温度设置为最大值，待预热完成后，然后在100%纯棉的湿润的布料上进行熨烫。这样可以产生大量的蒸汽，从而将电熨斗底板上的污垢转移到棉布上。许多电熨斗都有自动清洁按钮。但这只能清洁蒸汽孔，而不能清洁电熨斗底板上残留的污垢。

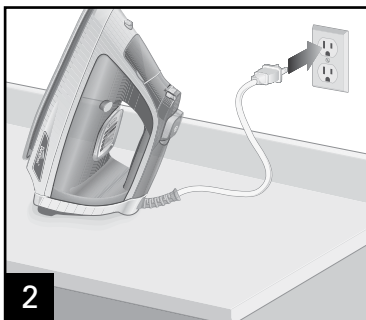
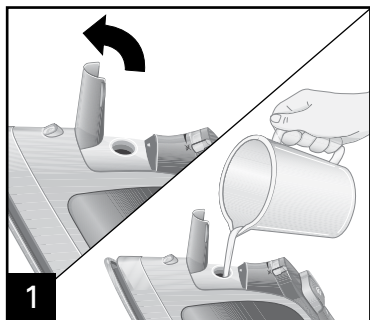
注意：电熨斗清洁时请注意，谨防被蒸汽烫伤。

注意：避免损坏电熨斗底板。

- 请勿使用电熨斗熨烫衣物上的拉链、纽扣、饰针、铆钉和卡扣以免损坏电熨斗的底板。
- 待电熨斗冷却后，再用沾有肥皂的软湿布清洗底板上的残留物。严禁使用擦洗剂或金属百洁布擦洗电熨斗底板，以免刮伤电熨斗底板。

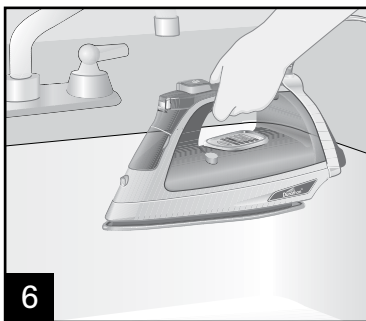
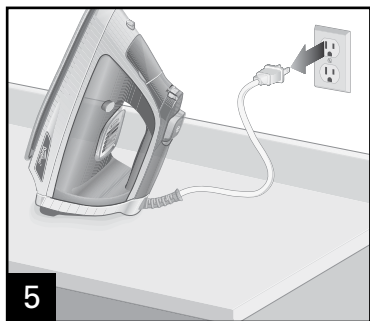
自动清洁功能

为保证电熨斗蒸汽孔的不堵塞，每次使用电熨斗时，请参照下述步骤进行操作。

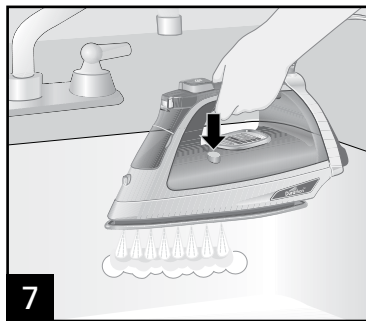


按住“温度设置按钮”，直至COTTON/LINEN棉麻指示灯亮起，然后，让电熨斗加热直至指示灯停止闪烁。

按住“温度设置按钮”，直至OFF/关指示灯亮起。在电熨斗未断电前，OFF/关指示灯将长亮。



握住电熨斗置于水槽的上方。



按住电熨斗“自动清洁按钮”，直至水箱完全排空。

故障排除

问题

可能原因

电熨斗不能加热

- 电熨斗的电源线是否插好？电源插座是否正常工作？在电源插座上连接一个电灯，以检查电源插座能否正常工作。
- 是否已经设定电熨斗温度？
- 电熨斗的自动断电指示灯是否亮起？请移动电熨斗复位。

电熨斗漏水

- 电熨斗水箱中的水不要添加过多。
- 调节蒸汽量为低流量。
- 如果电熨斗为蒸汽熨烫时，请检查蒸汽量调节开关是否在蒸汽的位置。是否已经设定电熨斗温度？电熨斗的预热时间是否足够？
- 如果电熨斗为干燥熨烫时，请检查蒸汽量调节开关是否位于 ☘（干熨）的位置？

电熨斗没有蒸汽

- 请检查电熨斗水箱中的水量。
- 请检查电熨斗的蒸汽量调节开关是否位于 ☞（蒸汽熨烫）的位置？
- 电熨斗的预热时间是否足够？
- 当温度设置位于干熨的范围时，电熨斗的防滴功能将会阻止电熨斗的蒸汽的产生。

熨烫完成后，衣物上留有污渍。

- 每次使用完电熨斗后，都必须将水箱完全排空。水箱中残留的水可能会导致衣物或电熨斗底板的变色。

电源线缠绕

- 如果电熨斗的电源线缠绕在一起，请先断电，然后等待电熨斗完全冷却。抓住电源线的中间部位。提起电源线，让电源插头以及电源线自行解开。这样可以延长电熨斗电源线的使用寿命。

不能消除衣物上的褶皱

- 根据衣物的材质选定合适的熨烫温度。

电熨斗温度过高或过低

- 将温度设置为合适的温度。让电熨斗冷却五分钟，然后再使用。

Model/型号:

19801-CCC

Type/类别:

I87

Rating/规格

220V ~ 50Hz 2000 W

Dist.: Hamilton Beach Brands, Inc., Glen Allen, VA 23060

© 2012 Hamilton Beach Brands, Inc.

Free Manuals Download Website

<http://myh66.com>

<http://usermanuals.us>

<http://www.somanuals.com>

<http://www.4manuals.cc>

<http://www.manual-lib.com>

<http://www.404manual.com>

<http://www.luxmanual.com>

<http://aubethermostatmanual.com>

Golf course search by state

<http://golfingnear.com>

Email search by domain

<http://emailbydomain.com>

Auto manuals search

<http://auto.somanuals.com>

TV manuals search

<http://tv.somanuals.com>