

User Manual

UNO-1372G/1372GH

電腦

**Embedded Automation
Computer with Intel[®] Atom
Quad-Core Processor, 3x GbE,
2x mPCIe, 1 mSATA, 2x COM, 8x
DIO, 3x USB, HDMI/VGA**

ADVANTECH

Enabling an Intelligent Planet

限用物質含有情況標示聲明書

設備名稱: Equipment name	電腦	型號 (型式): Type designation (Type)	UNO-1372G 系列 (系列型號參見說明書)			
單元 Unit	限用物質及其化學符號 Restricted substances and its chemical symbols					
	鉛 Lead (Pb)	汞 Mercury (Hg)	鎘 Cadmium (Cd)	六價鉻 Hexavalent chromium (Cr ⁺⁶)	多溴聯苯 Polybrominated biphenyls (PBB)	多溴二苯醚 Polybrominated diphenyl ethers (PBDE)
電路板	—	○	○	○	○	○
機殼 (外殼、支 架 … 等)	○	○	○	○	○	○
其它固定 組件 (螺絲)	—	○	○	○	○	○
配件 (線材)	○	○	○	○	○	○
記憶卡	—	○	—	○	○	○
<p>備考 1. “超出 0.1 wt %” 及 “超出 0.01 wt %” 係指限用物質之百分比含量超出百分比含量基準值。 Note 1. “Exceeding 0.1 wt %” and “exceeding 0.01 wt %” indicate that the percentage content of the restricted substance exceeds the reference percentage value of presence condition.</p> <p>備考 2. “○” 係指該項限用物質之百分比含量未超出百分比含量基準值。 Note 2. “○” indicates that the percentage content of the restricted substance does not exceed the percentage of reference value of presence.</p> <p>備考 3. “—” 係指該項限用物質為排除項目。 Note 3. The “-” indicates that the restricted substance corresponds to the exemption.</p>						

Copyright

The documentation and the software included with this product are copyrighted 2020 by Advantech Co., Ltd. All rights are reserved. Advantech Co., Ltd. reserves the right to make improvements in the products described in this manual at any time without notice. No part of this manual may be reproduced, copied, translated or transmitted in any form or by any means without the prior written permission of Advantech Co., Ltd. Information provided in this manual is intended to be accurate and reliable. However, Advantech Co., Ltd. assumes no responsibility for its use, nor for any infringements of the rights of third parties, which may result from its use.

Acknowledgements

IBM, PC/AT, PS/2 and VGA are trademarks of International Business Machines Corporation.

Intel and Core are trademarks of Intel Corporation

Microsoft Windows and MS-DOS are registered trademarks of Microsoft Corp.

All other product names or trademarks are properties of their respective owners.

Support

For more information on this and other Advantech products, please visit our websites at: <http://www.advantech.com>

For technical support and service, please visit our support website at: <http://support.advantech.com/>

This manual applies to the below model which is abbreviated as UNO-1372G series products in this article.

*Model number:

UNO-1372G

*Part number:

UNO-1372G-E3AE

UNO1372GE3A1501E-T; UNO1372GE3A1502E-T

UNO1372GE3A1503E-T; UNO1372GE3A1701E-T

UNO1372GE3A1702E-T; UNO1372GE3A1703E-T

UNO1372GE3A1704E-T; UNO1372GE3A1801E-T

UNO1372GE3A1802E-T; UNO1372GE3A1803E-T

UNO1372GE3A1804E-T; UNO1372GE3A1901E-T

UNO1372GE3A1902E-T; UNO1372GE3A1903E-T

UNO1372GE3A1904E-T; UNO1372GE3A2001E-T

UNO1372GE3A2002E-T; UNO1372GE3A2003E-T

UNO1372GE3A2004E-T

UNO1372GE3A2101E-T,

UNO1372GE3A2102E-T,

UNO1372GE3A2103E-T,

UNO1372GE3A2104E-T

P/N: 2003W37204

Printed in Taiwan

Edition 5

March 2020

UNO-1372GH-E3AE
UNO1372GHE3A1701-T; UNO1372GHE3A1702-T;
UNO1372GHE3A1703-T; UNO1372GHE3A1704-T;
UNO1372GHE3A1801-T; UNO1372GHE3A1802-T;
UNO1372GHE3A1803-T; UNO1372GHE3A1804-T;
UNO1372GHE3A1901-T; UNO1372GHE3A1902-T;
UNO1372GHE3A1903-T; UNO1372GHE3A1904-T;
UNO1372GHE3A2001-T; UNO1372GHE3A2002-T;
UNO1372GHE3A2003-T; UNO1372GHE3A2004-T;
UNO1372GHE3A2101-T,
UNO1372GHE3A2102-T,
UNO1372GHE3A2103-T,
UNO1372GHE3A2104-T,

Product Warranty (2 years)

Advantech warrants to you, the original purchaser, that each of its products will be free from defects in materials and workmanship for two years from the date of purchase.

This warranty does not apply to any products which have been repaired or altered by persons other than repair personnel authorized by Advantech, or which have been subject to misuse, abuse, accident or improper installation. Advantech assumes no liability under the terms of this warranty as a consequence of such events.

Because of Advantech's high quality-control standards and rigorous testing, most of our customers never need to use our repair service. If an Advantech product is defective, it will be repaired or replaced at no charge during the warranty period. For out-of-warranty repairs, you will be billed according to the cost of replacement materials, service time and freight. Please consult your dealer for more details.

If you think you have a defective product, follow these steps:

1. Collect all the information about the problem encountered. (For example, CPU speed, Advantech products used, other hardware and software used, etc.) Note anything abnormal and list any onscreen messages you get when the problem occurs.
2. Call your dealer and describe the problem. Please have your manual, product, and any helpful information readily available.
3. If your product is diagnosed as defective, obtain an RMA (return merchandise authorization) number from your dealer. This allows us to process your return more quickly.
4. Carefully pack the defective product, a fully-completed Repair and Replacement Order Card and a photocopy proof of purchase date (such as your sales receipt) in a shippable container. A product returned without proof of the purchase date is not eligible for warranty service.
5. Write the RMA number visibly on the outside of the package and ship it prepaid to your dealer.

Declaration of Conformity

CE

This product has passed the CE test for environmental specifications when shielded cables are used for external wiring. We recommend the use of shielded cables. This kind of cable is available from Advantech. Please contact your local supplier for ordering information.

FCC Class A

Note: This equipment has been tested and found to comply with the limits for a Class A digital device, pursuant to part 15 of the FCC Rules. These limits are designed to provide reasonable protection against harmful interference when the equipment is operated in a commercial environment. This equipment generates, uses, and can radiate radio frequency energy and, if not installed and used in accordance with the instruction manual, may cause harmful interference to radio communications. Operation of this equipment in a residential area is likely to cause harmful interference in which case the user will be required to correct the interference at his own expense.

警告使用者：這是甲類資訊產品，在居住的環境中使用時，可能會造成射頻干擾，在這種情況下，使用者會被要求採取某些適當對策。

Technical Support and Assistance

1. Visit the Advantech web site at support.advantech.com/ where you can find the latest information about the product.
2. Contact your distributor, sales representative, or Advantech's customer service center for technical support if you need additional assistance. Please have the following information ready before you call:
 - Product name and serial number
 - Description of your peripheral attachments
 - Description of your software (operating system, version, application software, etc.)
 - A complete description of the problem
 - The exact wording of any error messages

Safety Precaution - Static Electricity

Follow these simple precautions to protect yourself from harm and the products from damage.

- To avoid electrical shock, always disconnect the power from your PC chassis before you work on it. Don't touch any components on the CPU card or other cards while the PC is on.
- Disconnect power before making any configuration changes. The sudden rush of power as you connect a jumper or install a card may damage sensitive electronic components.

Safety Instructions

1. Read these safety instructions carefully.
2. Keep this User Manual for later reference.
3. Disconnect this equipment from any AC outlet before cleaning. Use a damp cloth. Do not use liquid or spray detergents for cleaning.
4. For plug-in equipment, the power outlet socket must be located near the equipment and must be easily accessible.
5. Keep this equipment away from humidity.
6. Put this equipment on a reliable surface during installation. Dropping it or letting it fall may cause damage.
7. The openings on the enclosure are for air convection. Protect the equipment from overheating. **DO NOT COVER THE OPENINGS.**
8. Make sure the voltage of the power source is correct before connecting the equipment to the power outlet.
9. Position the power cord so that people cannot step on it. Do not place anything over the power cord.
10. All cautions and warnings on the equipment should be noted.
11. If the equipment is not used for a long time, disconnect it from the power source to avoid damage by transient overvoltage.
12. Never pour any liquid into an opening. This may cause fire or electrical shock.
13. Never open the equipment. For safety reasons, the equipment should be opened only by qualified service personnel.
14. If one of the following situations arises, get the equipment checked by service personnel:
 - The power cord or plug is damaged.
 - Liquid has penetrated into the equipment.
 - The equipment has been exposed to moisture.
 - The equipment does not work well, or you cannot get it to work according to the user's manual.
 - The equipment has been dropped and damaged.
 - The equipment has obvious signs of breakage.
15. **DO NOT LEAVE THIS EQUIPMENT IN AN ENVIRONMENT WHERE THE STORAGE TEMPERATURE MAY GO BELOW -10°C (-14° F) OR ABOVE 60° C (140° F). THIS COULD DAMAGE THE EQUIPMENT. THE EQUIPMENT SHOULD BE IN A CONTROLLED ENVIRONMENT.**
16. **CAUTION: DANGER OF EXPLOSION IF BATTERY IS INCORRECTLY REPLACED. REPLACE ONLY WITH THE SAME OR AN EQUIVALENT TYPE RECOMMENDED BY THE MANUFACTURER, DISCARD USED BATTERIES ACCORDING TO THE MANUFACTURER'S INSTRUCTIONS.**
ATTENTION: Danger d'explosion si la batterie est mal REMPLACÉ. REMPLACER UNIQUEMENT PAR LE MEME TYPE OU EQUIVALENT RECOMMANDÉ PAR LE FABRICANT, jeter les piles usagées SELON LES INSTRUCTIONS DU FABRICANT.
17. The sound pressure level at the operator's position according to IEC 704-1:1982 is no more than 70 dB (A).
18. UNO-1372GH is open-type device that can be installed in an enclosure only accessible with the use of a tool, suitable for the environment.
19. UNO-1372GH with enclosure is suitable for use in Class I, Division 2, Groups A, B, C, and D or non-hazardous locations.
20. For UNO-1372GH, do not disconnect equipment unless power has been removed or the area is known to be non-hazardous.

21. For UNO-1372GH, do not substitute any components which may impair suitability for Class I, Division 2.

DISCLAIMER: This set of instructions is given according to IEC 704-1. Advantech disclaims all responsibility for the accuracy of any statements contained herein.

安全指示

1. 請仔細閱讀此安全操作說明。
2. 請妥善保存此用戶手冊供日後參考。
3. 用濕抹布清洗設備前，請從插座拔下電源線。請不要使用液體或去汙噴霧劑清洗設備。
4. 對於使用電源線的設備，設備周圍必須有容易接觸到的電源插座。
5. 請不要在潮濕環境中使用設備。
6. 請在安裝前確保設備放置在可靠的平面上，意外跌落可能會導致設備損壞。
7. 設備外殼的開口是用於空氣對流，從而防止設備過熱。**請勿覆蓋開孔。**
8. 當您連接設備到電源插座上前，請確認電源插座的電壓是否符合要求。
9. 請將電源線佈置在人們不易絆到的位置，並不要在電源線上覆蓋任何雜物。
10. 請注意設備上的所有警告和注意標語。
11. 如果長時間不使用設備，請將其同電源插座斷開，避免設備被超標的電壓波動損壞。
12. 請不要讓任何液體流入通風口，以免引起火災或者短路。
13. 請不要自行打開設備。為了確保您的安全，請由經過認證的工程師來打開設備。
14. 如遇下列情況，請由專業人員來維修：
 - 電源線或者插頭損壞；
 - 設備內部有液體流入；
 - 設備曾暴露在過於潮濕的環境中使用；
 - 設備無法正常工作，或您無法通過用戶手冊來使其正常工作；
 - 設備跌落或者損壞；
 - 設備有明顯的外觀破損。
15. 請不要把設備放置在超出我們建議的溫度範圍的環境，即不要低於 0° C (32° F) 或高於 40° C (104° F)，否則可能會損壞設備。
16. **注意：**若電池放置不正確，將有爆炸的危險。因此，只可以使用製造商推薦的同一種或者同等型號的電池進行替換。請按照製造商的指示處理舊電池。
17. 根據 IEC 704-1:1982 的規定，操作員所在位置的聲壓級不可高於 70dB(A)。
18. **限制區域：**請勿將設備安裝於限制區域使用。
19. **免責聲明：**該安全指示符合 IEC 704-1 的要求。研華公司對其內容的準確性不承擔任何法律責任。

Consignes de sécurité

1. Lire attentivement les instructions de sécurité.
2. Conserver ce manuel pour utilisation ultérieure,
3. Débranchez cet équipement de toute prise secteur avant de le nettoyer. Utilisez seulement un chiffon humide. N'utilisez pas de détergent liquide ou pulvérisé pour le nettoyage.
4. Gardez cet équipement à l'abri de l'humidité.
5. Placez cet équipement sur une surface fiable pendant l'installation. Le faire ou bien le laisser tomber peut causer des dégâts.
6. Les ouvertures sur l'enceinte servent à la convection de l'air. Protégez l'équipement contre la surchauffe. **NE COUVREZ PAS LES OUVERTURES.**
7. Assurez-vous que la tension de la source d'alimentation est correcte avant de connecter l'équipement à l'alimentation.
8. Placez le câble d'alimentation de manière à ce que personne ne puisse marcher dessus. Ne placez rien sur le câble d'alimentation.
9. Toutes les mises en garde et tous les avertissements sur l'équipement doivent être notés.
10. Si l'équipement n'est pas utilisé pendant une longue période, débranchez-le de la source d'alimentation pour éviter tout endommagement dû à une surtension transitoire.
11. Ne jamais verser de liquide dans une ouverture. Cela pourrait provoquer un incendie ou un choc électrique.
12. N'ouvrez jamais l'équipement. Pour des raisons de sécurité, l'équipement doit être ouvert uniquement par du personnel qualifié.
13. Si l'une des situations suivantes se présente, faites vérifier l'équipement par le personnel de service:
 - L'équipement a été exposé à l'humidité.
 - L'équipement ne fonctionne pas bien, ou vous ne pouvez pas le faire fonctionner selon le manuel de l'utilisateur.
 - L'équipement présente des signes évidents de rupture.
14. **NE LAISSEZ PAS CET ÉQUIPEMENT DANS UN ENVIRONNEMENT OU LA TEMPÉRATURE DE STOCKAGE PEUT ÊTRE INFÉRIEURE À -20 ° C (-4 ° F) OU BIEN SUPÉRIEURE À 60 ° C (140 ° F). CECI POURRAIT ENDOMMAGER L'EQUIPEMENT. L'ÉQUIPEMENT DEVRAIT ÊTRE DANS UN ENVIRONNEMENT CONTRÔLÉ.**

Warning! *Toujours débrancher le cordon d'alimentation de votre boîtier lorsque vous êtes travailler. Ne branchez pas lorsque l'appareil est allumé. Un afflux soudain de puissance peut endommager les composants électroniques sensibles. Seulement connu personnel de l'électronique devraient ouvrir le châssis.*



Caution! *Appareils électroniques modernes sont très sensibles à charges d'électricité statique. Utilisez un bracelet antistatique à tout moment. Placez tous composants électroniques sur une surface antistatique ou dans un statique-sac blindé.*



Contents

Chapter 1	Overview	1
1.1	Introduction	2
1.2	Safety Precautions.....	2
1.3	Accessories.....	3
Chapter 2	Hardware Functionality	5
2.1	Introduction	6
	Figure 2.1 Front of UNO-1372G/ 1372GH.....	6
	Figure 2.2 Top of UNO-1372G/ 1372GH.....	7
2.1.1	System Hardware	7
2.2	Serial Interface (COM1~COM2)	8
2.2.1	RS-232 Interface (COM 1).....	8
2.2.2	Automatic Data Flow Control Function for RS-485.....	8
2.3	LAN: Ethernet Connector.....	8
2.4	Power Connector	8
2.5	USB Connector	8
2.6	Display Connector.....	8
2.7	RTC Battery	9
	Figure 2.3 RTC Battery Location	9
2.8	Power Button/Power Management	9
2.9	Reset Button	9
2.10	PCI Express Mini Card Socket.....	10
2.11	iDoor Expansion Slot	10
2.12	Antenna Mounting.....	10
2.13	Dual Power Input	11
2.14	Audio Jack	11
2.15	LED Indicators	11
2.16	Digital Input and Output	11
	Figure 2.4 Wet Contact Wiring	12
	Figure 2.5 Dry Contact Wiring	12
Chapter 3	Initial Setup.....	13
3.1	Chassis Grounding	14
	Figure 3.1 Chassis Grounding Connection.....	14
3.2	Inserting an mSATA.....	14
3.3	Installing a Wireless LAN Card and Antenna (Optional).....	15
3.4	Installing a Hard Disk	17
3.5	BIOS Setup.....	18
3.6	Din Rail Kit Assembly.....	19
3.7	Connecting Power.....	20
3.8	Installing lockable kit (For UNO-1372GH Only)	20
3.8.1	Purpose	20
3.8.2	Part number.....	20
3.8.3	Lockable kit configuration	20
3.8.4	Assembly with UNO System.....	21
Appendix A	System Settings & Pin Assignment	23
A.1	System I/O Address and Interrupt Assignments	24
	Table A.1: Interrupt Assignments	24
A.2	Board Connectors and Jumpers	25

	Figure A.1 Connector and Jumper Locations (Front).....	25
	Table A.2: Connectors and Jumpers	25
A.3	RS-232 Standard Serial Port (COM1).....	27
	Table A.3: RS-232 Serial Port Pin Assignments.....	27
A.4	RS-422/485 Serial Port (COM2)	27
	Table A.4: RS-422/485 Serial Port Pin Assignments.....	27
A.5	Power Connector (PWR)	28
	Table A.5: Power Connector Pin Assignments.....	28
A.6	USB Connector	28
	Table A.6: USB 2.0 Connector Pin Assignments.....	28
A.7	HDMI Display Connector	29
	Table A.7: HDMI Adaptor Cable Pin Assignments	29

Chapter 1

Overview

This chapter provides an overview of the products specifications.

Sections include:

- Introduction
- Safety Precautions
- Accessories

1.1 Introduction

The UNO-1372G is an embedded Application Ready Platform (ARP) that can shorten development time and offers multiple networking interfaces to fulfill the extensive needs of different projects.

The UNO-1372G includes Intel's latest Intel Atom technology and provides multiple interfaces, including up to two serial ports, three GbE LAN and three USB ports.

The UNO-1372G supports two display types, HDMI and VGA, for various high resolution requirements.

The UNO-1372G can operate in a wide temperature range (from -20 to 60° C).

The UNO-1372G adopts Intel Atom CPU with Quad-Core computing power and up to 4GB DDR3 (supports a max of 8GB) of built-in RAM for multi-tasking programs.

The UNO-1372G provides great expansion including two Mini PCIe and SIM card support. These expansions, plus iDoor technology, ensures that the UNO-1372G has great expandability from Wi-Fi, 3G, I/O expansion and fieldbus card with iDoor technology.

With a wide array of OS and driver support, such as Windows 7/8, WES7/WE8S, and embedded Linux, users can integrate applications easily in an application ready platform that provides versatile functionality to fulfill diverse requirements.

1.2 Safety Precautions

The following sections explain how to make each connection. In most cases, you will simply need to connect a standard cable.

Note! Safety Certification Temperature 50° C(122° F)



Warning! Always disconnect the power cord from your chassis whenever you are working on it. Do not connect while the power is on. A sudden rush of power can damage sensitive electronic components. Only experienced electronics personnel should open the chassis.



Warning! Toujours débrancher le cordon d'alimentation de votre boîtier lorsque vous êtes travailler. Ne branchez pas lorsque l'appareil est allumé. Un afflux soudain de puissance peut endommager les composants électroniques sensibles. Seulement connu personnel de l'électronique devraient ouvrir le châssis.



Caution! Always ground yourself to remove any static electric charge before touching the product. Modern electronic devices are very sensitive to static electric charges. Use a grounding wrist strap at all times. Place all electronic components on a static-dissipative surface or in a static-shielded bag.



Caution! *Toujours à la terre pour éliminer toute charge d'électricité statique avant toucher UNO-1372G. Appareils électroniques modernes sont très sensibles à charges d'électricité statique. Utilisez un bracelet antistatique à tout moment. Placez tous composants électroniques sur une surface antistatique ou dans un statique-sac blindé.*



1.3 Accessories

Please refer below for the accessory list:

- 4-pin connector for power wiring
- 10-pin connector for digital I/O wiring
- Din-rail mounting bracket
- Wall mounting bracket
- 4 x PCS screws for HDD
- 6 x PCS screws for mPCIe slot
- 4 x PCS screws for wall mounting bracket
- 3 x PCS screws for din-rail bracket
- Warranty card
- Lockable I/O kit (only in UNO-1372GH-E3AE)

If anything is missing or damaged, contact your distributor or sales representative immediately.

Chapter 2

Hardware Functionality

This chapter explains how to setup the product's hardware functions, including connecting peripherals, setting switches and indicators.

Sections include:

- Introduction
- Serial Interface
- LAN / Ethernet Connector
- Power Connector
- USB Connector
- Display Connector
- RTC Battery
- Power Button/Power Management
- Reset Button
- mPCIe Socket
- iDoor Expansion Slot
- PCIe Slot
- Antenna Mounting
- Dual Power Input and Remote Power Control
- Audio Jack
- LED Indicators

2.1 Introduction

The following figures show the connectors on the product. The following sections give you information about each peripheral.

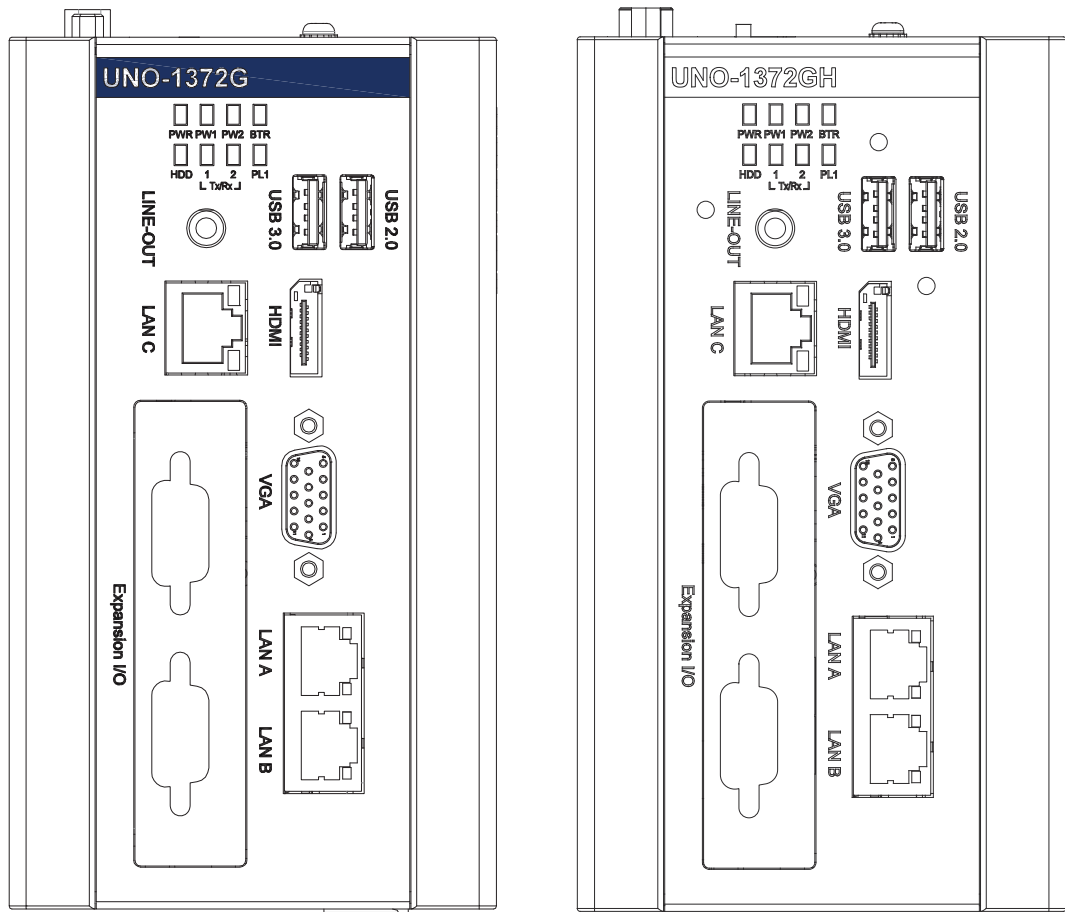


Figure 2.1 Front of UNO-1372G/ 1372GH

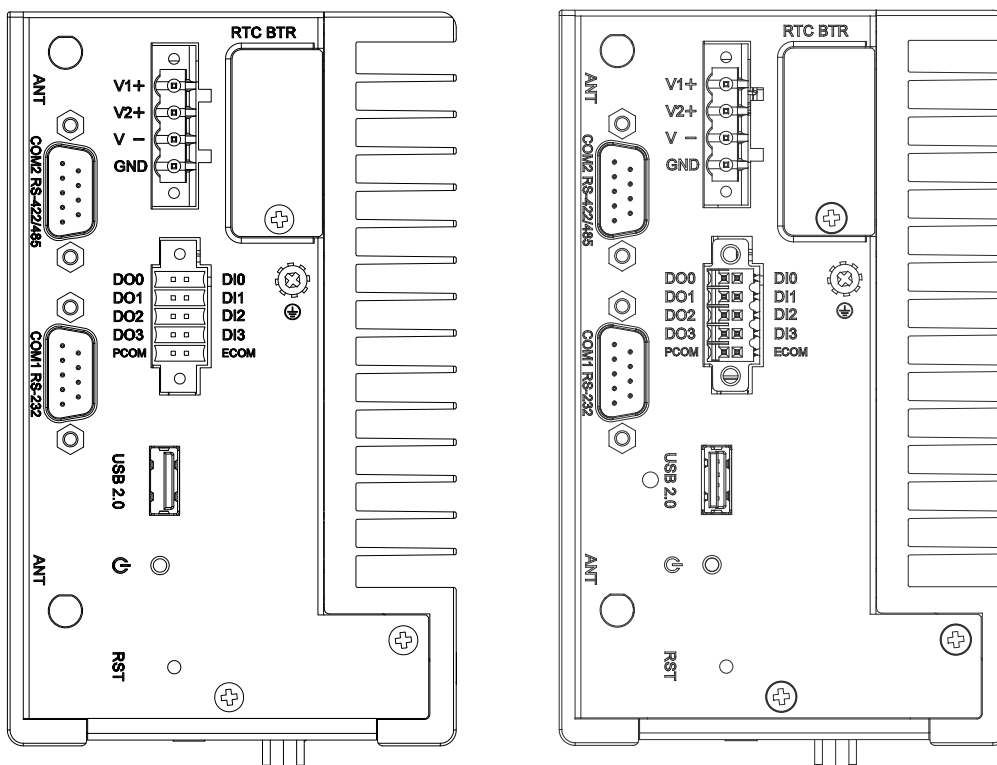


Figure 2.2 Top of UNO-1372G/ 1372GH

2.1.1 System Hardware

- **CPU:** Intel Atom E3845 1.91GHz, 2MB L2 Cache
- **Memory:**
 - 4G DDR3L SDRAM built-in,
 - Transcend/AQD-SD3L4GN16-SG 4GB
- **Storage:** One drive bay for SATA 2.5" HDD (Compatible with 9.5mm high HDDs)
- **Display:** 1 × VGA 1920 x 1200, 1 × HDMI 1920 x 1080, supports 2 independent displays
- **Expansion Slots:** 2 x Full-size mPCIe slot, 1x mSATA (Full-size)

2.2 Serial Interface (COM1~COM2)

The UNO-1372G offers one standard RS-232 and one RS-422/485 (with cable) serial communication inter-face port: COM1 ~ COM2.

The IRQ and I/O address ranges are listed below:

COM1: 3F8h, IRQ4

COM2: 2F8h, IRQ3

2.2.1 RS-232 Interface (COM 1)

The UNO-1372G offers one RS-232 serial communication interface port: COM1. Please refer to Appendix A.3 for their pin assignments.

2.2.2 Automatic Data Flow Control Function for RS-485

In RS-485 mode, the UNO-1372G automatically detects the direction of incoming data and switches its transmission direction accordingly. No handshaking signal (e.g. RTS signal) is necessary. This lets users conveniently build an RS-485 network with just two wires. Application software previously written for half duplex RS-232 environments can be maintained without modification.

2.3 LAN: Ethernet Connector

The UNO-1372G is equipped with three Gigabit LAN controllers. The controller chip used is the Intel Ethernet controller, which is fully compliant with 802.1Qav, IEEE1588/802.1AS, 802.3az standards. The Ethernet port provides standard RJ-45 jacks on the front I/O and LED indicators in front of the connector to show its status: Link (100Mbps orange LED, 1000Mbps green LED) and Active (flashing green LED) status.

2.4 Power Connector

The UNO-1372G comes with a Phoenix connector that carries 9~36 VDC (For UNO-1372GH is 10~36 VDC) external power input and features reversed wiring protection. It will not cause any damage to the system by reversed wiring of the ground line or the power line. Please refer to Appendix A

2.5 USB Connector

The USB interface supports Plug and Play, which enables you to connect or disconnect a device, without turning off the computer. This provides three USB connectors, which gives complete Plug & Play and hot swapping for up to 127 external devices. One of the three connectors are compatible with USB3.0 devices. The USB interface is USB EHCI, Rev. 2.0 compliant. The USB interface can be disabled in the system BIOS setup. Refer to Appendix A for its pin assignment.

2.6 Display Connector

The UNO-1372G provides a HDMI and VGA controller for a high resolution interface. It supports up to full HD resolution for two independent display.

- 1 x VGA, supports 1920 x 1200 @ 60Hz 24bpp
- 1 x HDMI 1.4a, supports 1920 x 1080 @ 60Hz 24bpp

2.7 RTC Battery

The RTC Battery ensures the BIOS settings and system clock can be maintained, even when power is disconnected for a short time.

- **Type:** BR2032 (Using CR2032 is NOT recommended)
- **Output Voltage:** 3 V_{DC}
- **Location:** Top side removable cover named RTC BTR

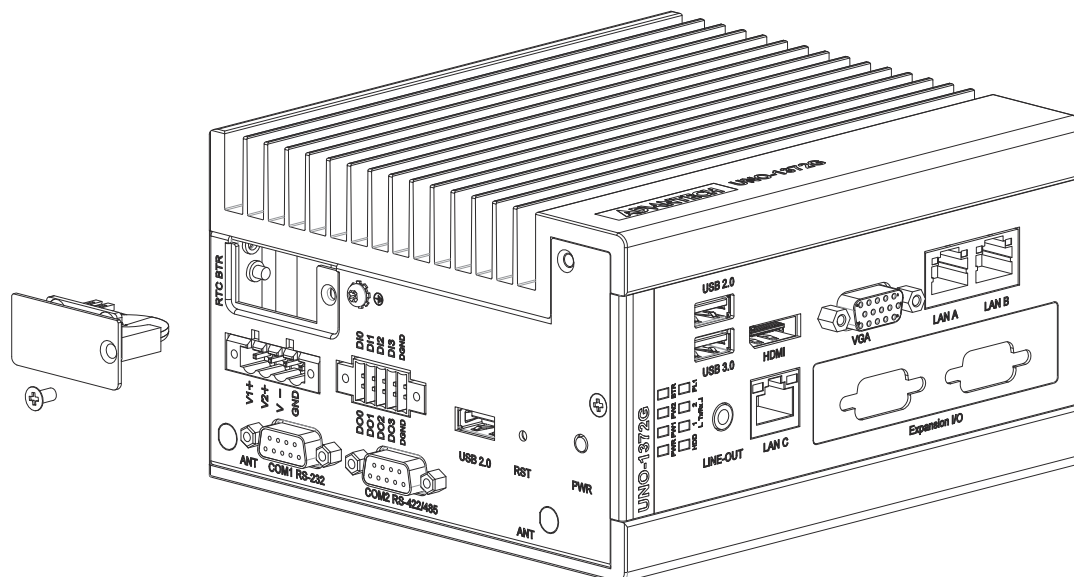


Figure 2.3 RTC Battery Location

2.8 Power Button/Power Management

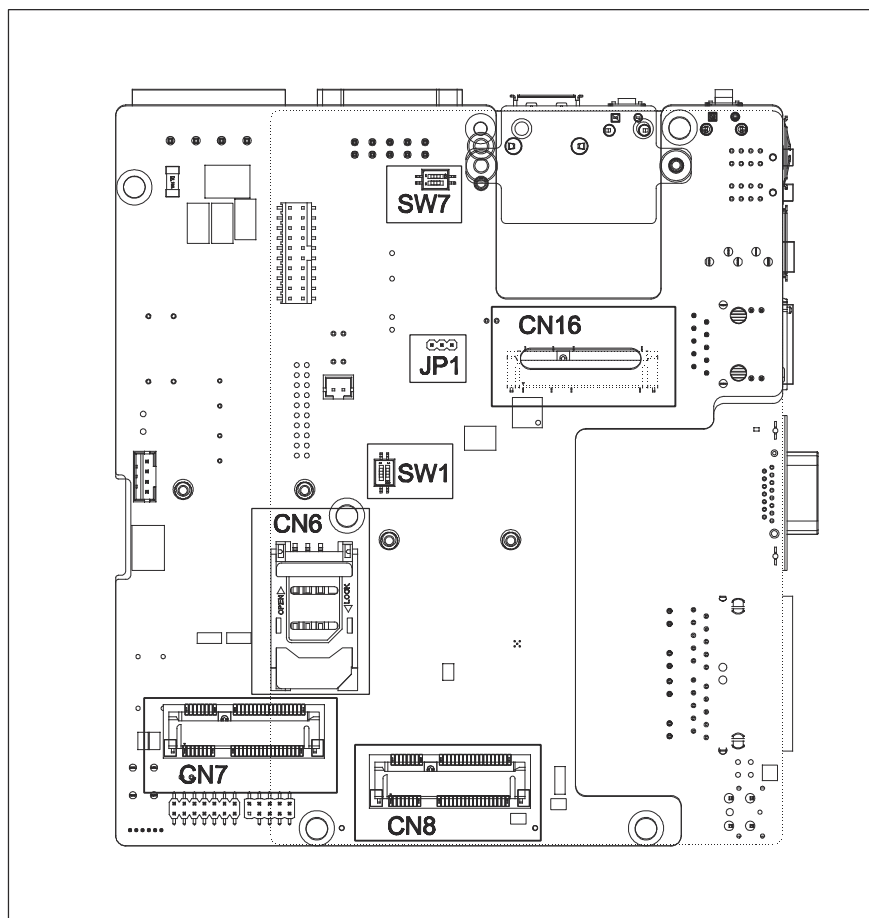
Press the “PWR” button to power on or power off (ATX type). This product supports the ACPI (Advanced Configuration and Power Interface). As well as power on/off, it supports multiple suspend modes, such as Power on Suspend (S1), Suspend to RAM (S3), and Suspend to Disk (S4).

2.9 Reset Button

Press the “Reset” button to activate the hardware reset function.

2.10 PCI Express Mini Card Socket

There are three sockets for full size PCI Express mini cards. The first interface (CN16) on the bottom board is for mSATA and the second (CN8) interface is mainly targeted to support iDoor technology/module for diversified applications such as isolated COM port, Profibus, WLAN GPRS, 3G, and MRAM. Users can install the card easily by using the optional kit. Please refer to Chapter 3 for details. An additional SIM card slot is used for 3G applications with CN7. Note that you are still required to install a 3G Mini-PCIe module to be able to use 3G functions. The third one (CN7) is a full-size mini PCIe card which can be installed with Wi-Fi, Bluetooth, or GPS modules for example.



2.11 iDoor Expansion Slot

On the front side, there's an iDoor expansion slot for users to install mPCIe modules to extend extra I/O ports for specific applications, like Isolation COM, Digital I/O, CANOpen modules.

2.12 Antenna Mounting

This product offers two antenna mounting holes covered by pre-cut holes for users to install with an antenna kit if they need 3G, WiFi, or other wireless functions.

2.13 Dual Power Input

In the power connector, there is a secondary power input that helps users plug in a second power source to prevent main power source failure.

2.14 Audio Jack

This product provides one Line-out port for local alarm functions.

2.15 LED Indicators

There are eight LEDs to indicate the status of the system power: power input 1, power input 2, RTC battery, storage read/write, COM1~2 transmit/receive, and PL1 for user configuration.

- PWR: Green means normal, orange means standby.
- PWR1, PWR2: Red means power input source is abnormal, check the power input source.
- RTC: Red means RTC battery abnormal, check the RTC battery.
- HDD, COM1~2: Flashing green means signals are being transmitted and received.
- PL 1: Users can configure the LED indicators' behavior through GPIO control.

2.16 Digital Input and Output

There are four digital inputs and four digital outputs configured from GPIO pins for most of the on/off trigger and status reading.

Digital Input

- Input Channels 4
- Input Voltage (Wet Contact), Configure SW7 to 1,3
 - Logic 0: 0~3 V_{DC}
 - Logic 1: 10~30 V_{DC}
- Input Voltage (Dry Contact), Configure SW7 to 2,4
 - Logic 0: Open
 - Logic 1: Shorted to GND
- Input Current
 - 10 V_{DC} @ 2.67mA
 - 20 V_{DC} @ 5.64mA
 - 30 V_{DC} @ 8.91mA
- Isolation Protection 2,500 V_{DC}
- Overvoltage Protection 30 V_{DC}
- ESD Protection 4KV (Contact), 8KV (Air)
- Opto-Isolator Response 50 μs

Digital Output

- Channels 4
- Output Voltage: 5~30V_{DC}
- Output Capability Sink: 24 mA max./channel

■ Opto-Isolator Response 50 μ s

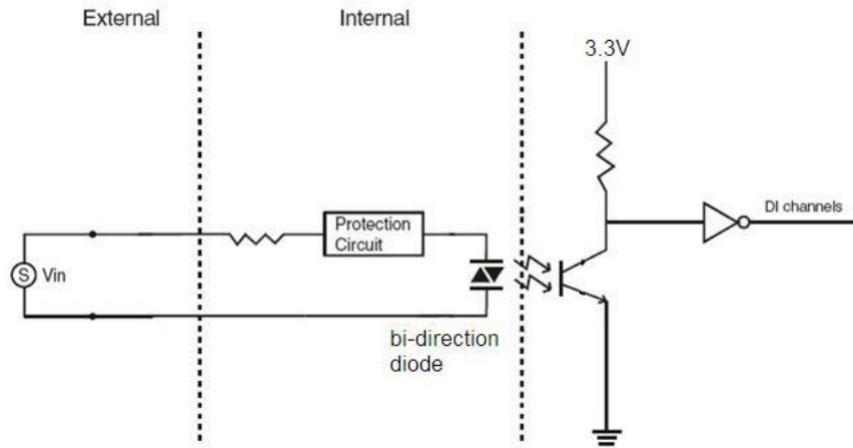


Figure 2.4 Wet Contact Wiring

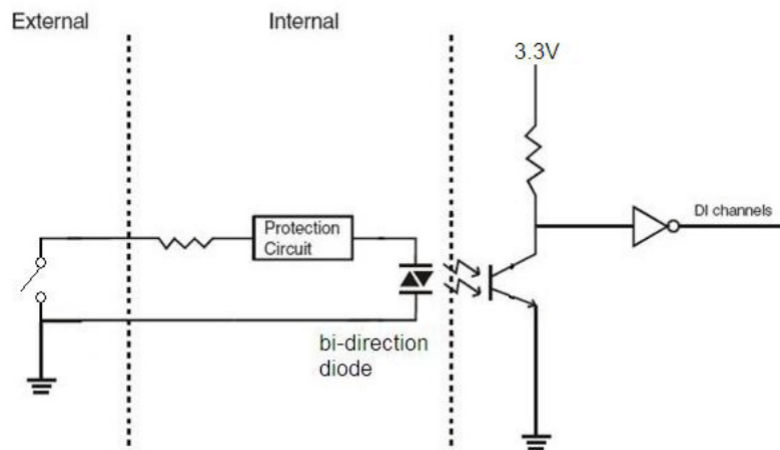


Figure 2.5 Dry Contact Wiring

Chapter 3

Initial Setup

This chapter explains how to initialize the UNO-1372G.

Sections include:

- Chassis Grounding
- Inserting an mSATA
- Installing a Wireless LAN card and Antenna
- Installing a Hard Disk
- Connecting Power
- BIOS Setup
- Installing lockable kit (For UNO-1372GH Only)

3.1 Chassis Grounding

The UNO-1372G provides good EMI protection and a stable grounding base. There is an easy-to-connect chassis grounding point to use.

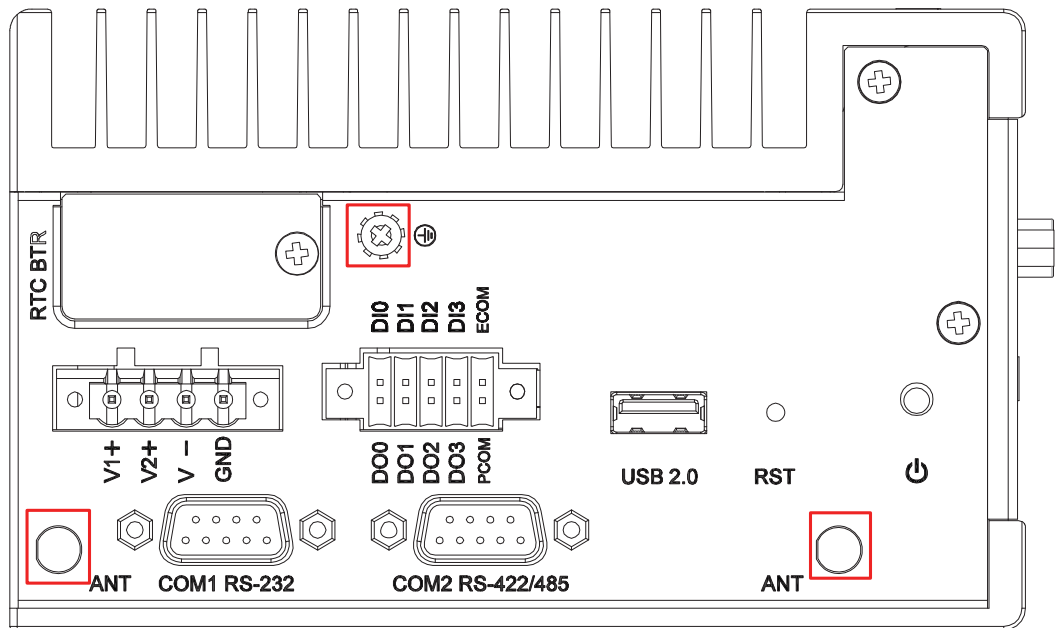


Figure 3.1 Chassis Grounding Connection

Please note that the system ground and chassis ground are separated.

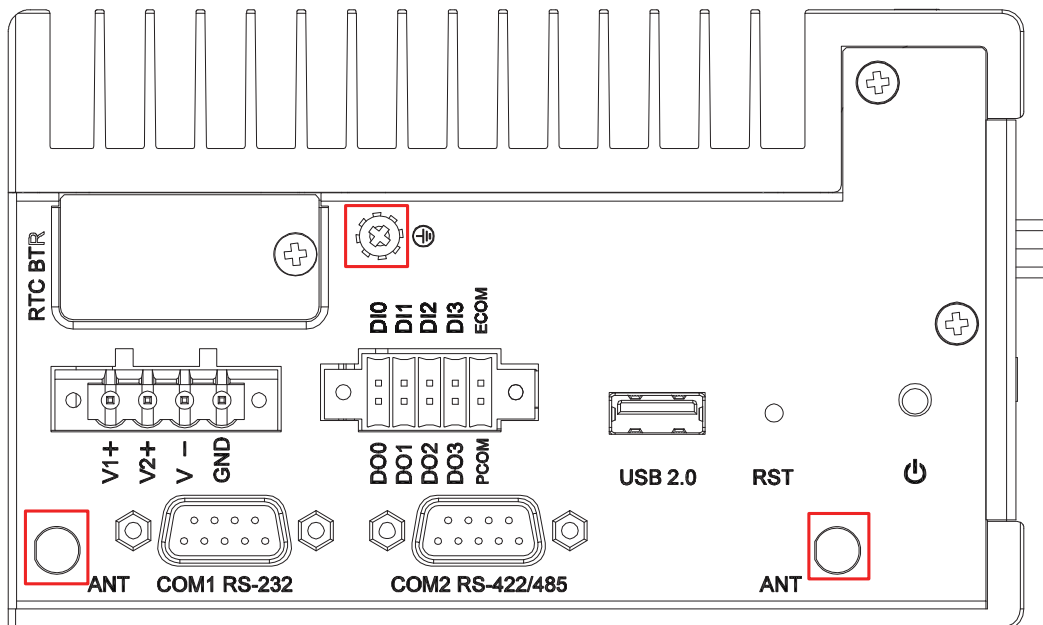
3.2 Inserting an mSATA

1. Remove the power cord.
2. Loosen the four screws in the left cover.
3. Disassemble the USB board with two screws.
4. Plug a mSATA card with your OS and application program into the first mPCIe slot.
5. Tighten the two screws on board to fix mSATA.
6. Secure the left cover.

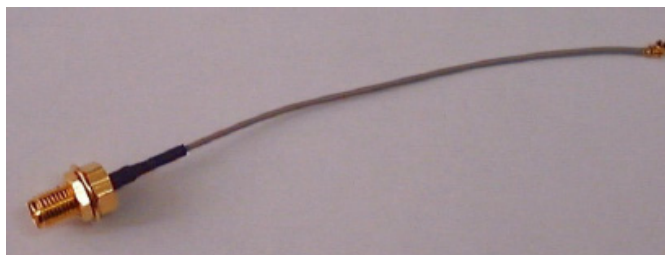
3.3 Installing a Wireless LAN Card and Antenna (Optional)

Contact Advantech to prepare the following optional kit:

Rear Panel for Antenna



- The internal cable: 1750006043 (15cm).



Wireless Module (PCI Express Mini Card)

- One of the suggested modules is EWM-W151H01E, which is a verified Wireless IEEE 802.11b/g/n module.

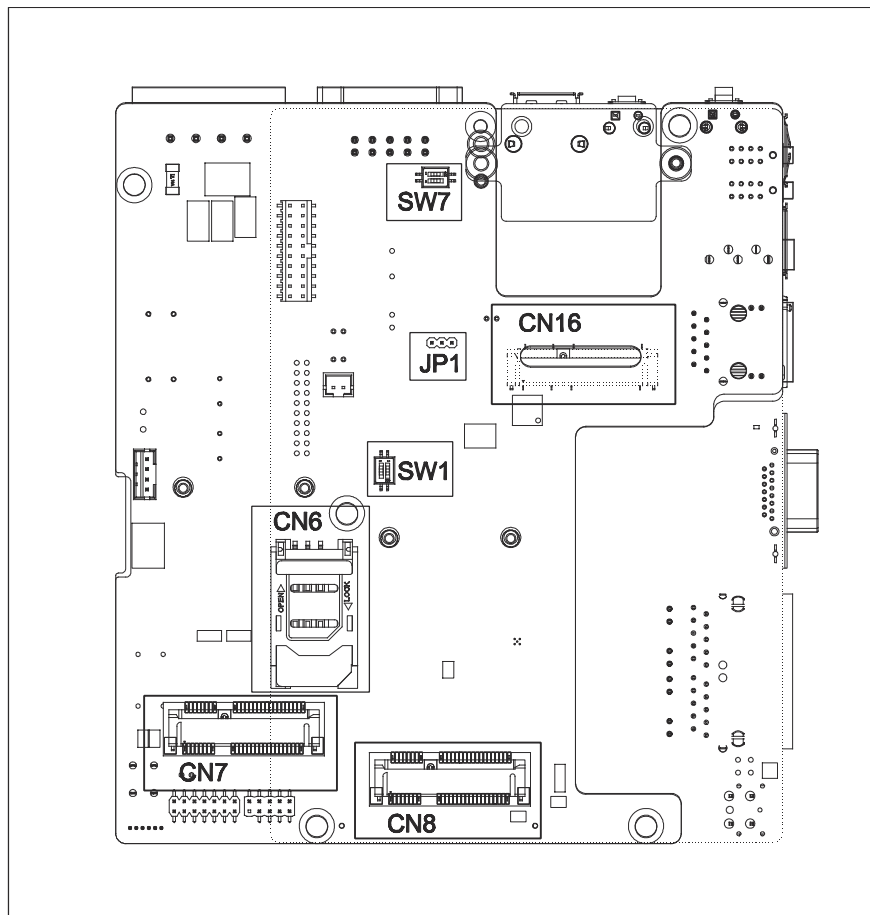
Antenna

- Select the necessary specification according to your application.
- One of the suggested antennas is 1750002842.



Follow the steps below for installation:

1. Unscrew the left cover and open it.
2. Remove the hole(s) on the top panel for antenna installation.
3. Install the internal cable 1750006043 (15cm) on the top panel.
4. Plug the wireless module onto the PCI Express mini card socket.



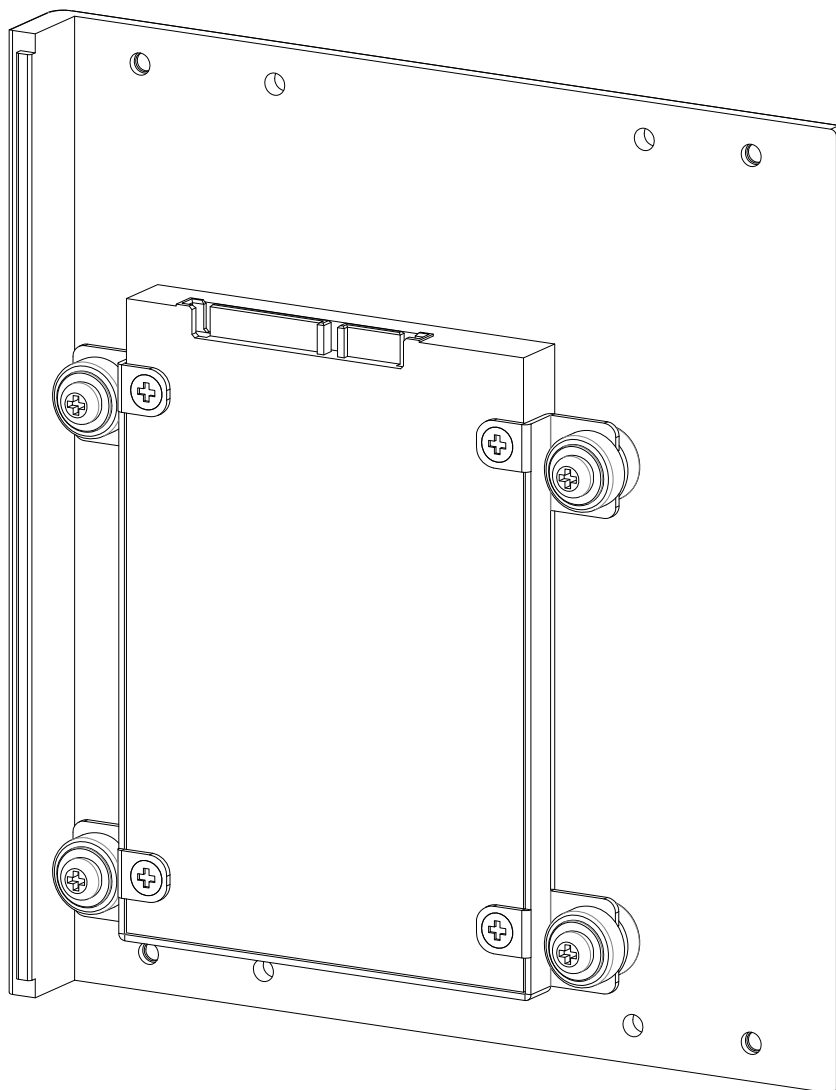
5. Connect the internal cable with the module.
6. Screw back on the left cover.
7. Assemble the antenna on the SMA connector.

3.4 Installing a Hard Disk

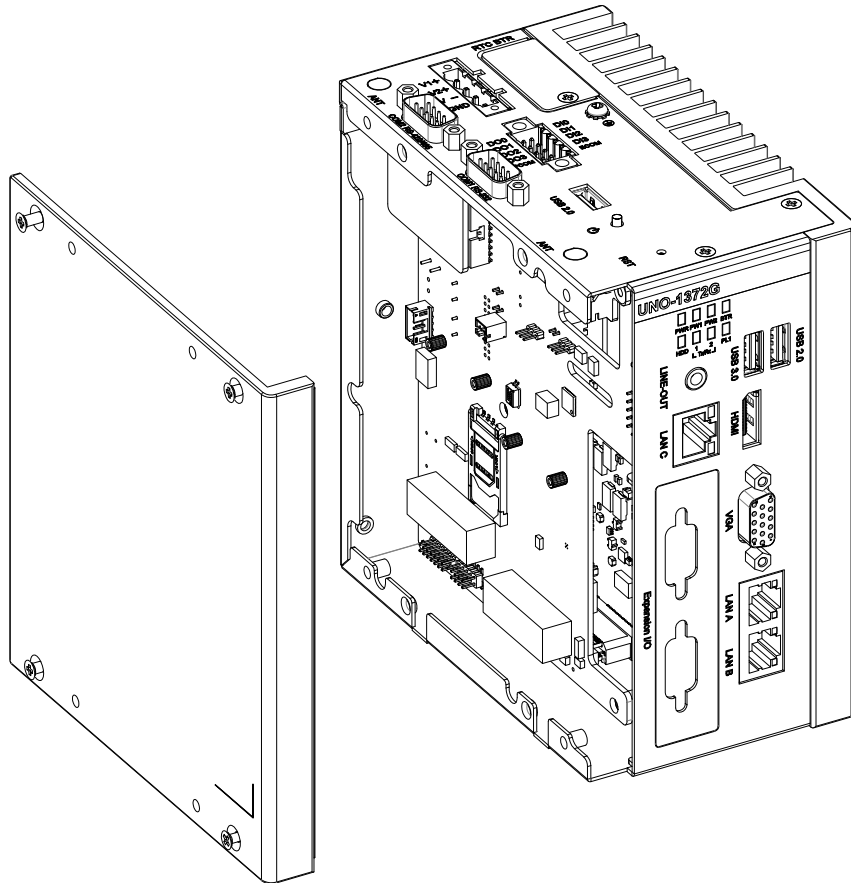
The procedure for installing a hard disk into the UNO-1372G is described below. Follow these steps carefully. Note the system is not compatible with +12V HDD.

Use an HDD with lower power input.

1. Remove the power cord.
2. Unscrew the four screws from the left cover.
3. Screw the HDD onto the left cover.



4. Screw the left cover with four screws.



3.5 BIOS Setup

Press “F2” in the boot-up screen to enter the BIOS setup utility. Follow the instructions on the screen to perform the necessary settings.

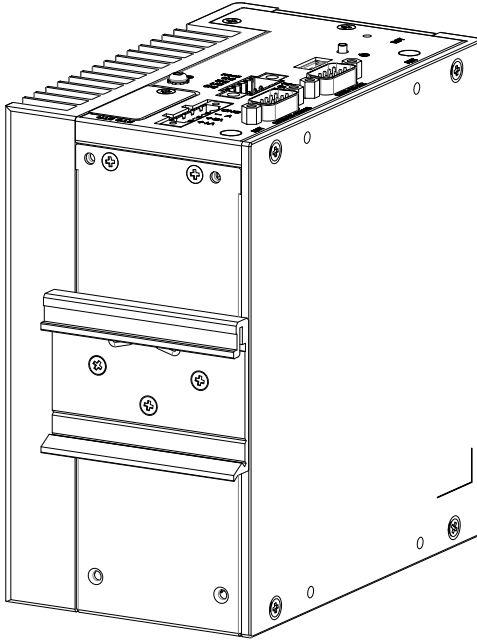
Note! You can try to “Restore Defaults” from the BIOS Setup manual if the UNO-1372G does not work properly.



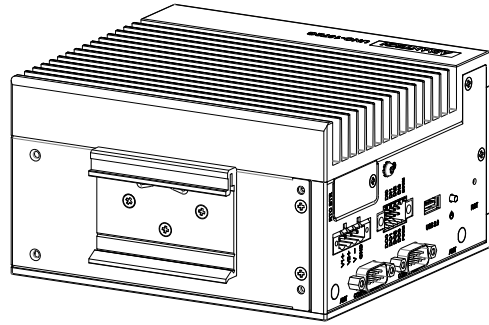
3.6 Din Rail Kit Assembly

The UNO-1372G supports din-rail and wall mounting. The assembly instructions are below.

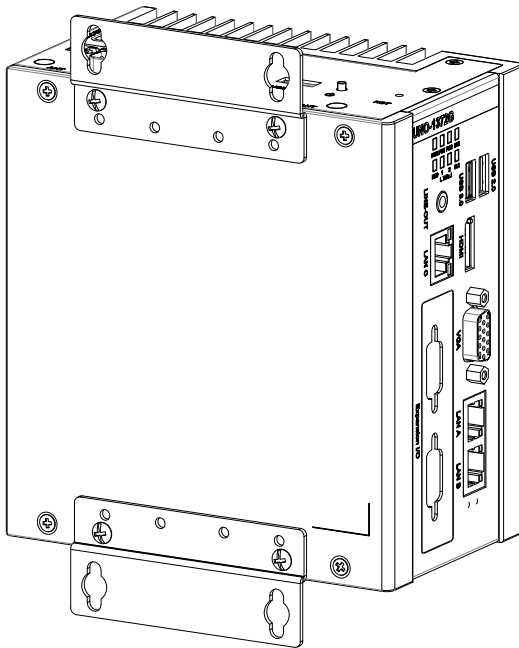
a. Vertical Din-Rail



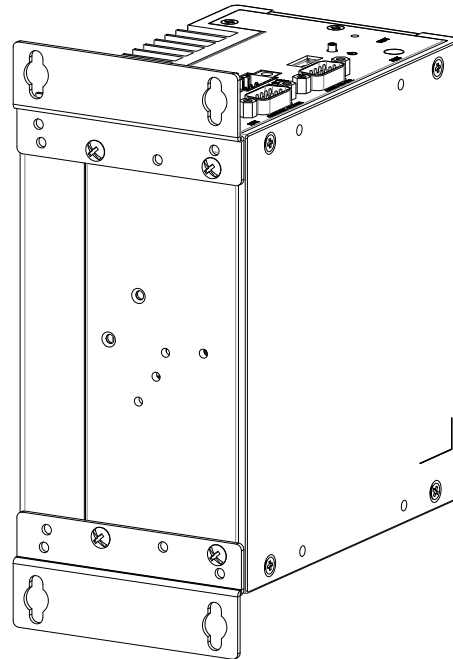
b. Horizontal Din-Rail



c. Wall Mount (Left Side)



d. Wall Mount (Back Side)



3.7 Connecting Power

This product is intended to be supplied with a Listed DC Power Source, rated 9-36Vdc (For UNO-1372GH is 10~36 Vdc), 4A minimum and Tma 60 degree C. If further assistance is required, please contact Advantech customer support for additional information.

3.8 Installing lockable kit (For UNO-1372GH Only)

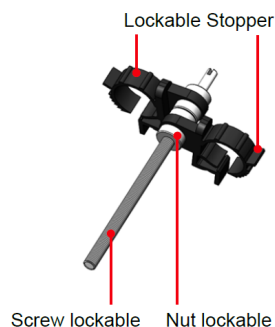
3.8.1 Purpose

The mainly usage of lockable kit is for fixing external I/O cable with UNO System from any abnormally pulling of cable or accidentally vibration of system. In hazardous location, any sparks will cause exposure and damage the system, with lockable kit, it can make sure all cables been secured tightly on system to prevent unintentionally dropping cables.

3.8.2 Part number

UNO-2000-LKAE (with 10 sets inside, only UNO-1372GH-E3AE have 2 sets as default package).

3.8.3 Lockable kit configuration



Lockable screw:

To screw into the hole behind I/O on UNO system.

Lockable Stopper:

Cables need to pass through the lock stopper then screw tightly to fit cable's dimension.

Lockable Nut:

For Fixing the lock stopper.

3.8.4 Assembly with UNO System

Follow the 4 STEPs to fix the I/O cable with lockable kit:

-
- STEP 1. Find the lockable hole on UNO System near the I/O. (UNO-1372GH have 3 holes on front panel, 1 on top cover)



-
- STEP 2. Assemble the lockable screw into UNO system.



-
- STEP 3. Plug in I/O cable connector by passing through the lockable stopper and make sure the location of stopper and nut on the appropriate place.



-
- STEP 4. Adjust the plastic lockable stopper to fit with cable's dimension and length.



Appendix **A**

System Settings & Pin
Assignment

A.1 System I/O Address and Interrupt Assignments

Table A.1: Interrupt Assignments

Interrupt No.	Interrupt Source
NMI	Parity Error Detected
IRQ 0	Interval timer
IRQ 1	Keyboard
IRQ 2	Interrupt from controller 2 (cascade)
IRQ 3	COM 2
IRQ 4	COM 1
IRQ 8	Real-time clock
IRQ 9	Microsoft ACPI-Compliant System
IRQ 16	LAN
IRQ 17	USB
IRQ 18	USB and graphics
IRQ 19	HD audio and SATA
IRQ 7	Watchdog

A.2 Board Connectors and Jumpers

There are several connectors and jumpers on the inside board. The following sections tell you how to configure the hardware setting. Figure A.1 shows the locations of the connectors and jumpers.

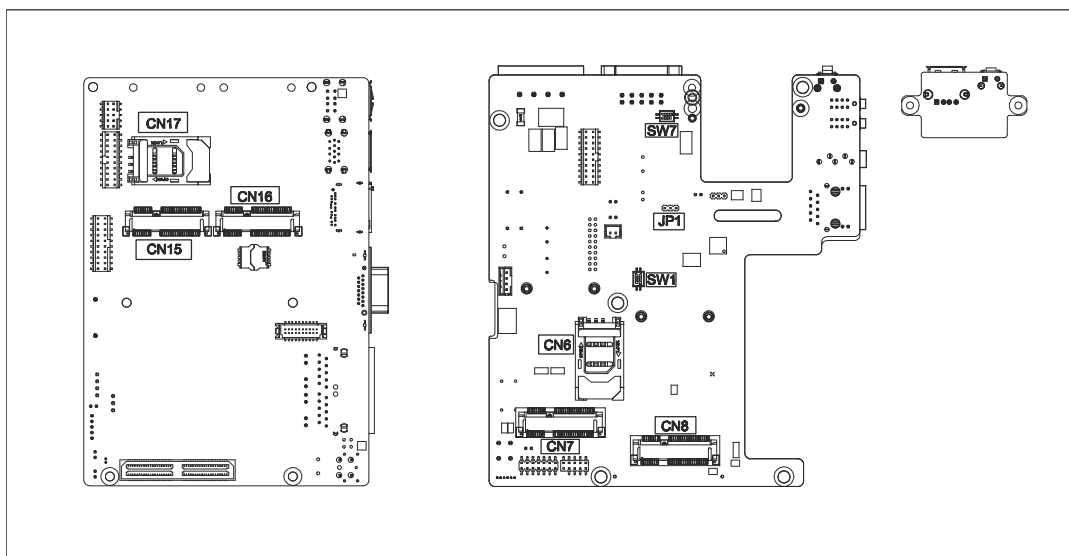
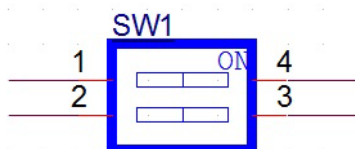


Figure A.1 Connector and Jumper Locations (Front)

Table A.2: Connectors and Jumpers

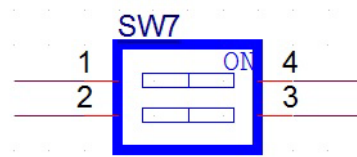
Label	Function
CN16	mPCIe Slot for mSATA
CN7, CN8	mPCIe slot (supports iDoor technology).
CN15	mPCIe with height limited
CN17	SIM card slot for CN15
CN6	SIM card slot for CN7
SW1	mPCIe function enable/disable
SW2	Digital input wet/dry contact switch
JP1	DO3/PL LED control switch

SW1:



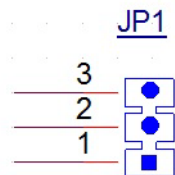
- Switch to 4: disable function of mini PCIe slot 1
- Switch to 3: disable function of mini PCIe slot 2
- Switch to 1 and 2: enable function of mini PCIe slot 1 and 2 (default setting)

SW7:



- Digital Input
Input Channels: 3
 - Input Voltage (Wet Contact) Logic 0: 0~3 VDC (switch to 1 and 3)
Logic 1: 10 ~ 30 VDC
 - Input Voltage (Dry Contact) Logic 0: Open (switch to 2 and 4)
Logic 1: Shorted to GND
 - Input Current
 - 10 VDC @ 2.67 mA
 - 20 VDC @ 5.64 mA
 - 30 VDC @ 8.91 mA
- Digital output
Channels:3
 - Output Voltage: 5 ~ 30 VDC
 - Output Capability Sink: 24 mA max./channel

JP1:



- 1-2: Control DO3 (default setting)
- 2-3: Control PL LED

A.3 RS-232 Standard Serial Port (COM1)

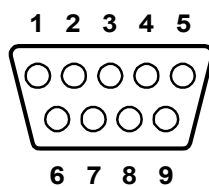


Table A.3: RS-232 Serial Port Pin Assignments

Pin	Pin Name
1	DCD
2	RxD
3	TxD
4	DTR
5	GND
6	DSR
7	RTS
8	CTS
9	RI

A.4 RS-422/485 Serial Port (COM2)

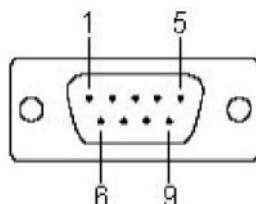


Table A.4: RS-422/485 Serial Port Pin Assignments

Pin	RS-422	RS-485
1	TX-	Data-
2	TX+	Data+
3	RX+	NC
4	RX-	NC
5	GND	GND
6	NC	NC
7	NC	NC
8	NC	NC
9	NC	NC

A.5 Power Connector (PWR)

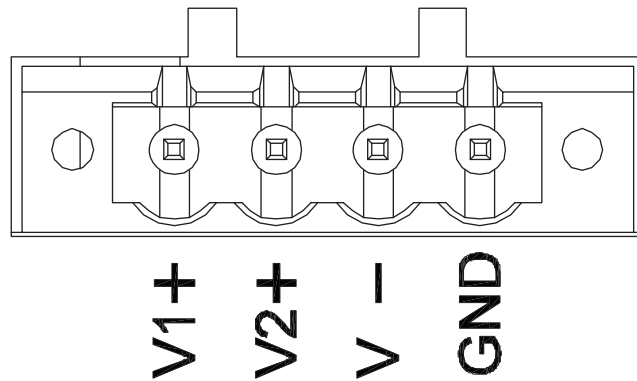


Table A.5: Power Connector Pin Assignments

Pin	Signal Name
1 V1+	9~36 V _{DC} Input 1 (For UNO-1372GH is 10~36 V _{DC})
2 V2+	9~36 V _{DC} Input 2 (For UNO-1372GH is 10~36 V _{DC})
3 V-	Power Ground
4 GND	Chassis Ground

A.6 USB Connector

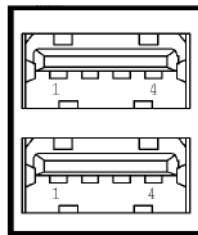


Table A.6: USB 2.0 Connector Pin Assignments

Pin	Signal Name	Cable Color
1	VCC	Red
2	DATA-	White
3	DATA+	Green
4	GND	Black

A.7 HDMI Display Connector

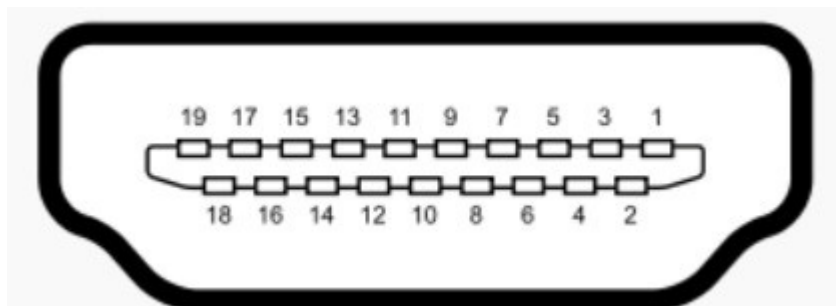


Table A.7: HDMI Adaptor Cable Pin Assignments

Pin	Signal Name
1	TMDS Data2+
2	TMDS Data2 Shield
3	TMDS Data2-
4	TMDS Data1+
5	TMDS Data1 Shield
6	TMDS Data1-
7	TMDS Data0+
8	TMDS Data0 Shield
9	TMDS Data0-
10	TMDS Clock+
11	TMDS Clock Shield
12	TMDS Clock-
13	CEC
14	Reserved
15	SCL
16	SDA
17	DDC/CEC/HEC Ground
18	+5 V Power (max 50 mA)
19	Hot Plug Detect

www.advantech.com

Please verify specifications before quoting. This guide is intended for reference purposes only.

All product specifications are subject to change without notice.

No part of this publication may be reproduced in any form or by any means, electronic, photocopying, recording or otherwise, without prior written permission of the publisher.

All brand and product names are trademarks or registered trademarks of their respective companies.

© Advantech Co., Ltd. 2020

Free Manuals Download Website

<http://myh66.com>

<http://usermanuals.us>

<http://www.somanuals.com>

<http://www.4manuals.cc>

<http://www.manual-lib.com>

<http://www.404manual.com>

<http://www.luxmanual.com>

<http://aubethermostatmanual.com>

Golf course search by state

<http://golfingnear.com>

Email search by domain

<http://emailbydomain.com>

Auto manuals search

<http://auto.somanuals.com>

TV manuals search

<http://tv.somanuals.com>